



US00D598117S

(12) **United States Design Patent**
Yamashita et al.

(10) **Patent No.:** **US D598,117 S**
(45) **Date of Patent:** **** Aug. 11, 2009**

(54) **NIPPLE PROTECTOR**

(75) Inventors: **Daisuke Yamashita**, Tokyo (JP);
Makiko Kida, Ichikawa (JP); **Tamotsu**
Matsumoto, Chiba (JP)

(73) Assignee: **Pigeon Corporation**, Tokyo (JP)

(**) Term: **14 Years**

(21) Appl. No.: **29/329,229**

(22) Filed: **Dec. 11, 2008**

(30) **Foreign Application Priority Data**

Jun. 13, 2008 (JP) 2008-015194

(51) **LOC (9) Cl.** **24-01**

(52) **U.S. Cl.** **D24/190**

(58) **Field of Classification Search** D24/188–190,
D24/193–199; D29/100, 101.3; 128/888–890;
215/11.1–11.6; 450/36–39, 53, 57, 86; D2/708;
2/23

See application file for complete search history.

(56) **References Cited**

U.S. PATENT DOCUMENTS

D35,417 S *	12/1901	Steinmetz	D24/190
3,513,852 A *	5/1970	Seidl	450/36
3,532,096 A *	10/1970	Seidl	450/39
4,754,750 A *	7/1988	Imonti	128/888
5,032,103 A *	7/1991	Larsson	450/37
D364,250 S *	11/1995	McCracken et al.	D29/100
5,557,804 A *	9/1996	Ovortrup et al.	2/23
D417,735 S *	12/1999	Ford	D24/193

6,497,609 B1 *	12/2002	Cobbs	450/57
7,152,606 B1 *	12/2006	Schindler	128/889
7,252,573 B2 *	8/2007	Mann	450/1
D550,851 S *	9/2007	Roehrig	D24/199
2006/0157065 A1 *	7/2006	Rohrig	128/890

* cited by examiner

Primary Examiner—Philip S Hyder

Assistant Examiner—Susan E Krakower

(74) *Attorney, Agent, or Firm*—Sughrue Mion, PLLC

(57) **CLAIM**

The ornamental design for a nipple protector, as shown and described.

DESCRIPTION

FIG. 1 is a front perspective view of the nipple protector of the present invention;

FIG. 2 is a rear perspective view thereof;

FIG. 3 is a front view thereof;

FIG. 4 is a rear view thereof;

FIG. 5 is a first end view thereof;

FIG. 6 is a second end view thereof;

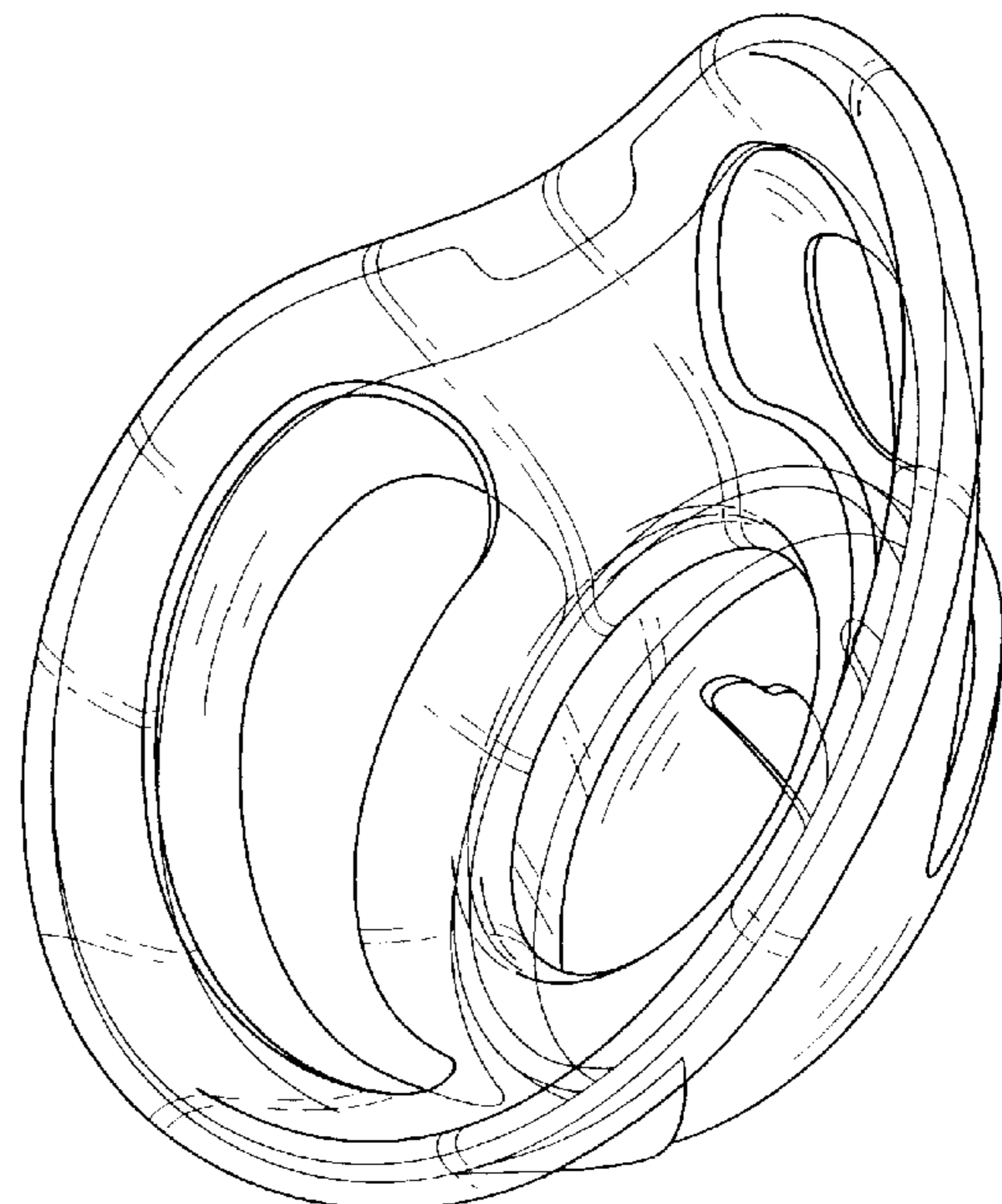
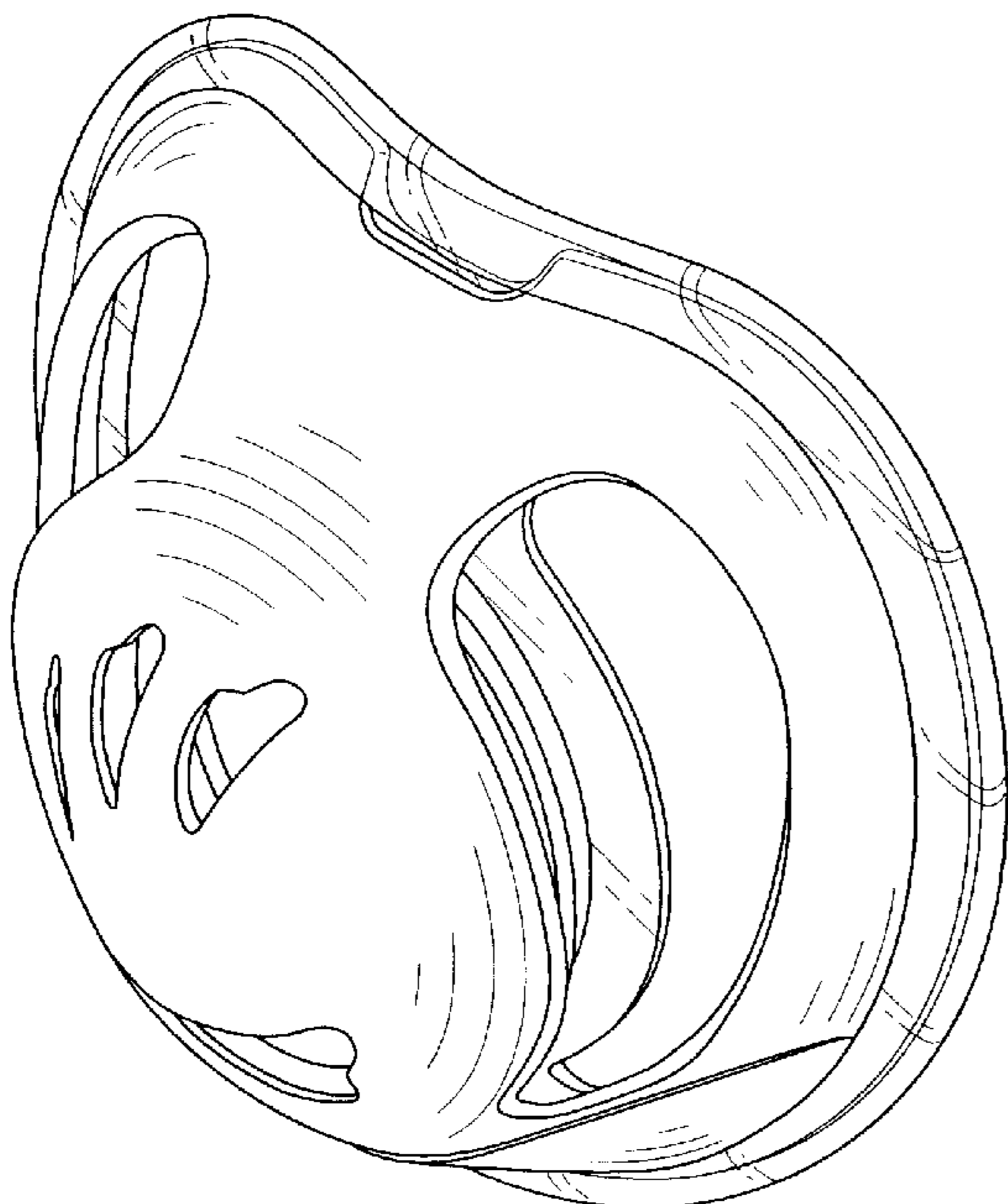
FIG. 7 is a first side view thereof;

FIG. 8 is a second side view thereof;

FIG. 9 is a cross-sectional view taken along line 9—9 in FIG. 3; and,

FIG. 10 is a cross-sectional view taken along line 10—10 in FIG. 3.

1 Claim, 5 Drawing Sheets



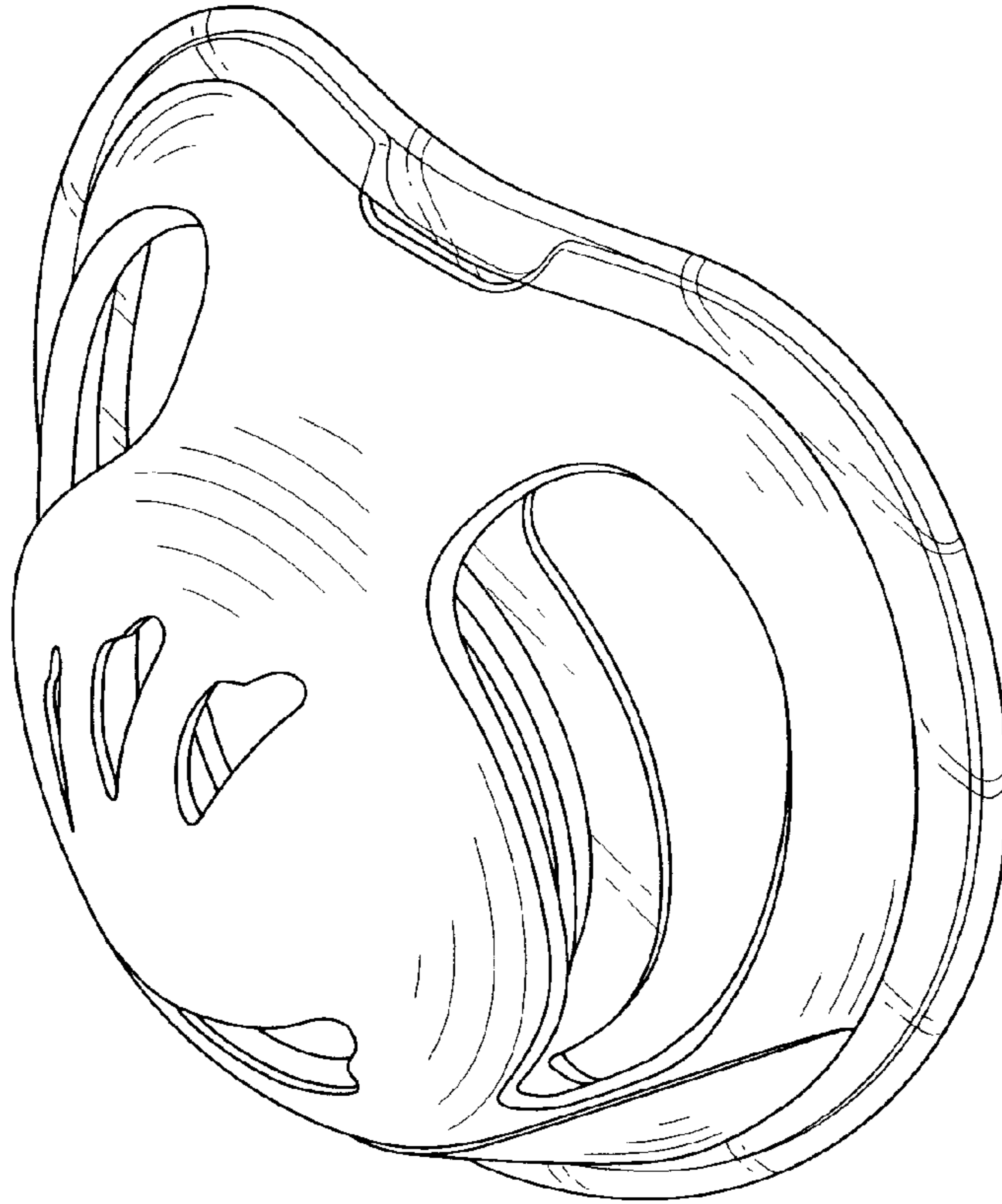


FIG. 1

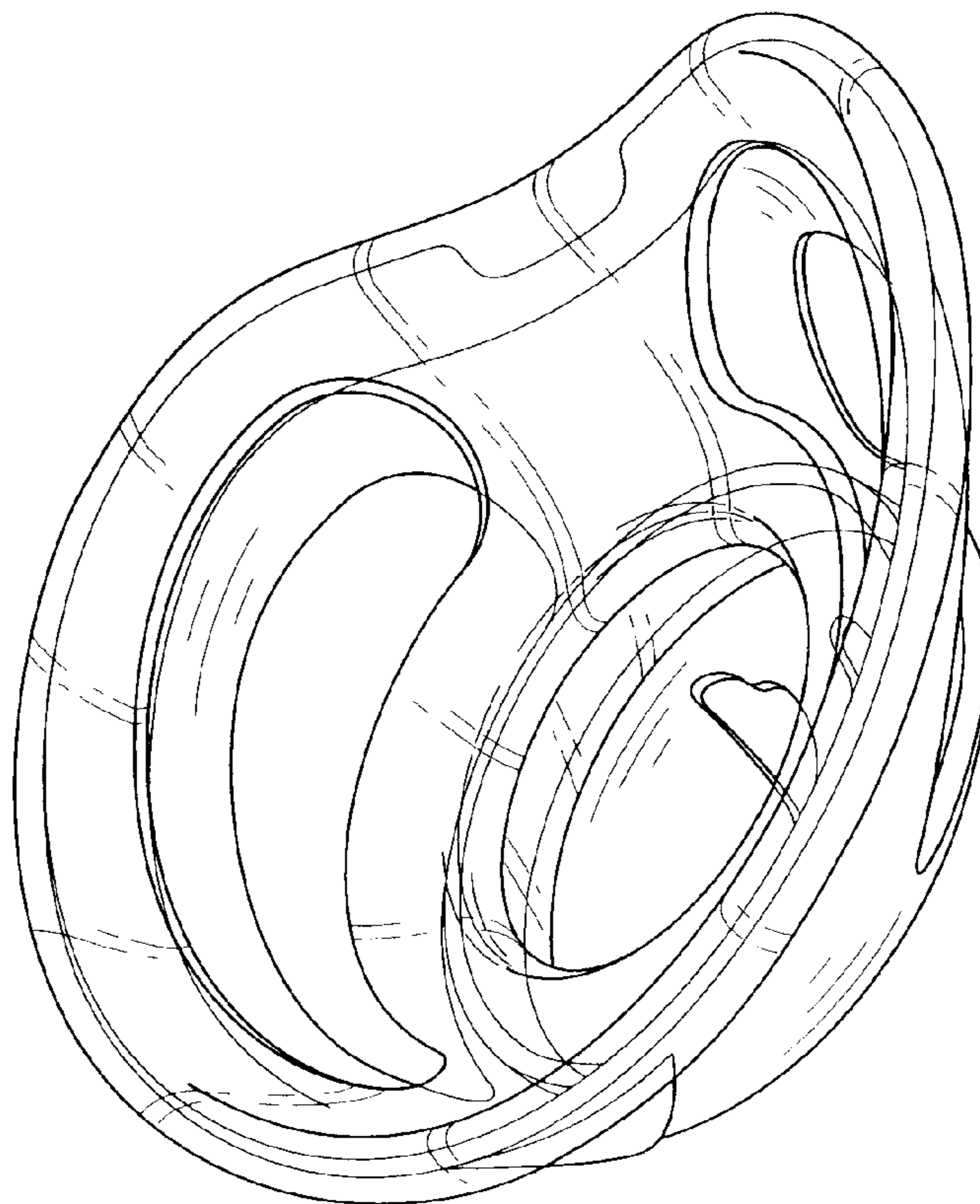


FIG. 2

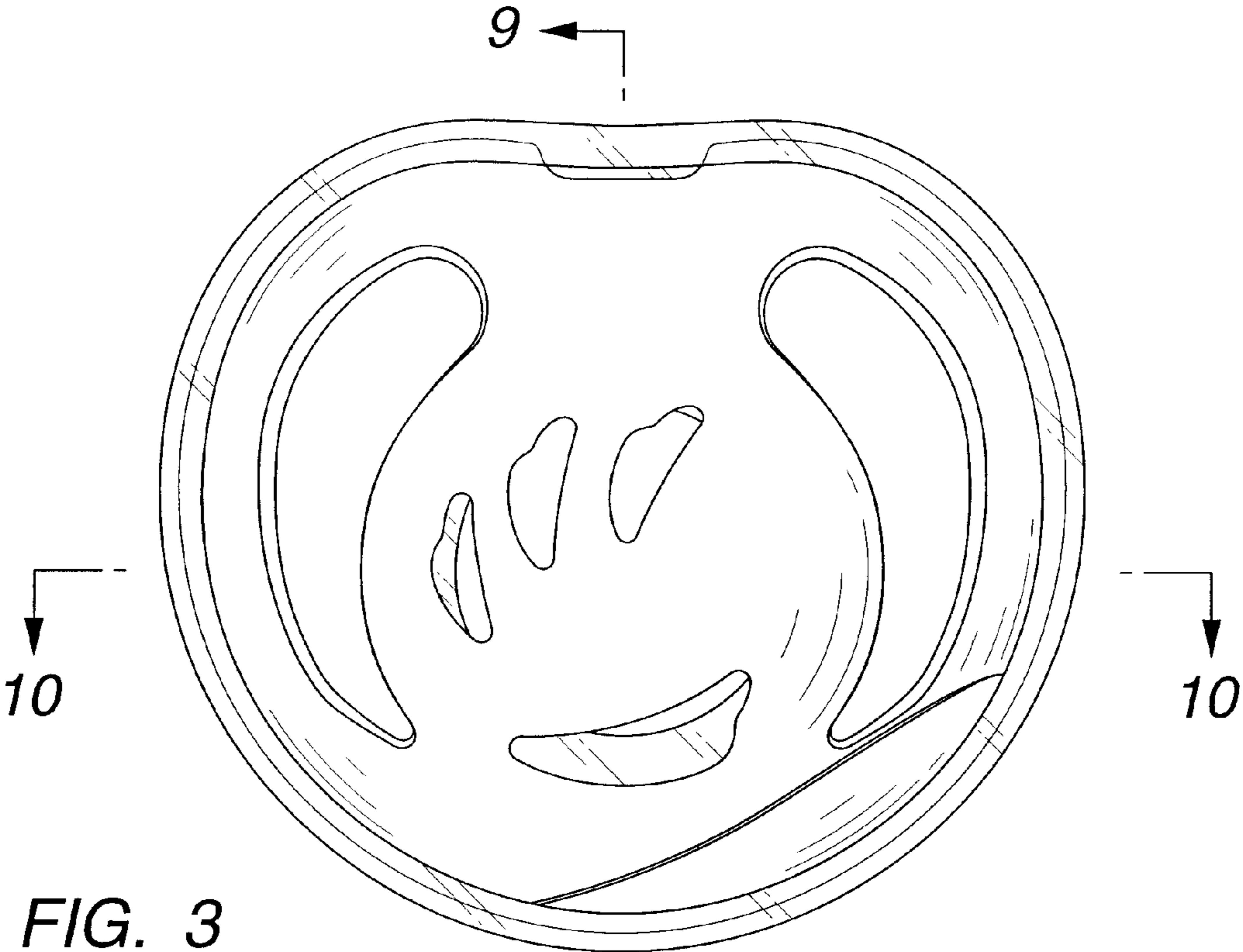


FIG. 3

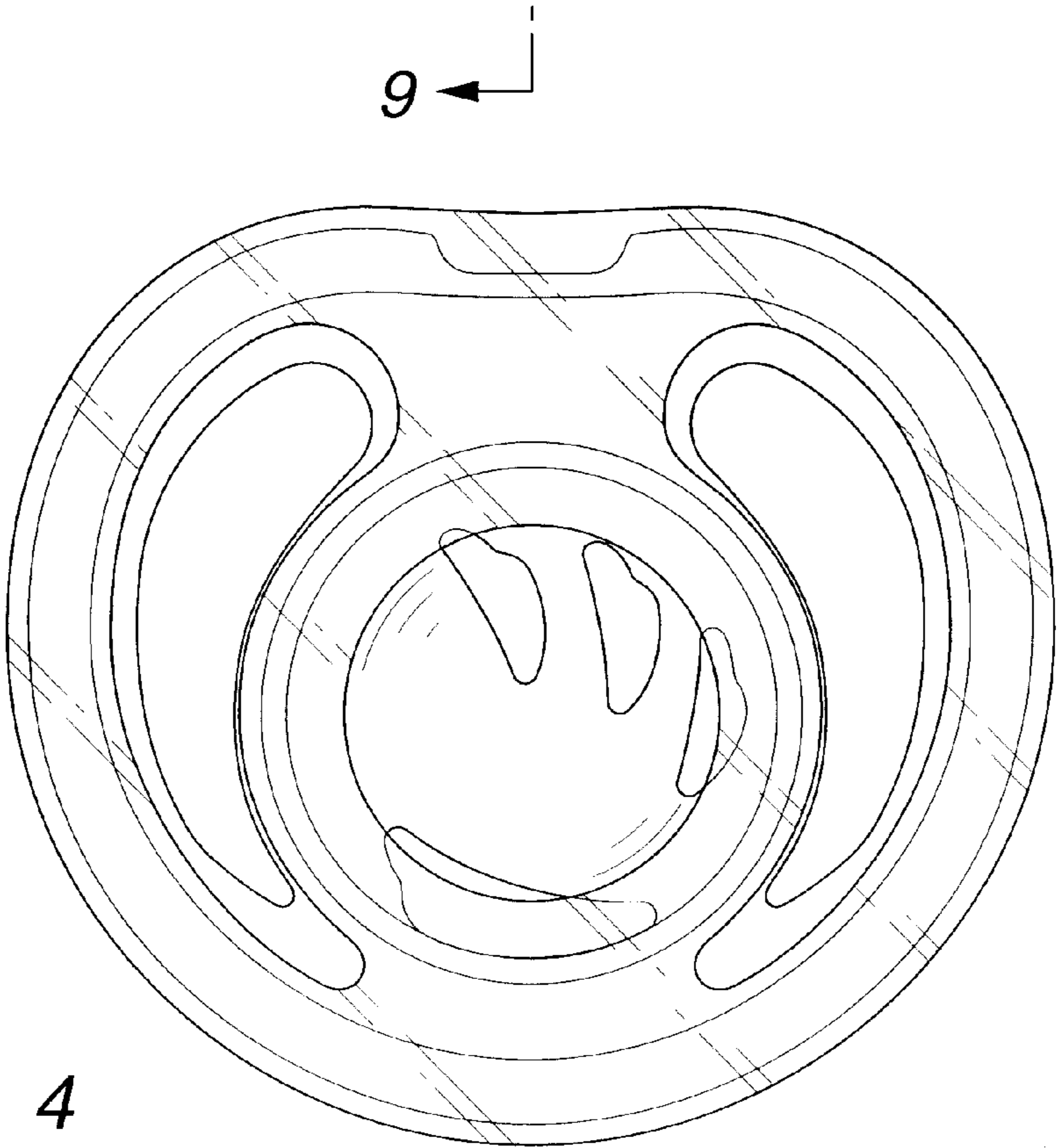


FIG. 4

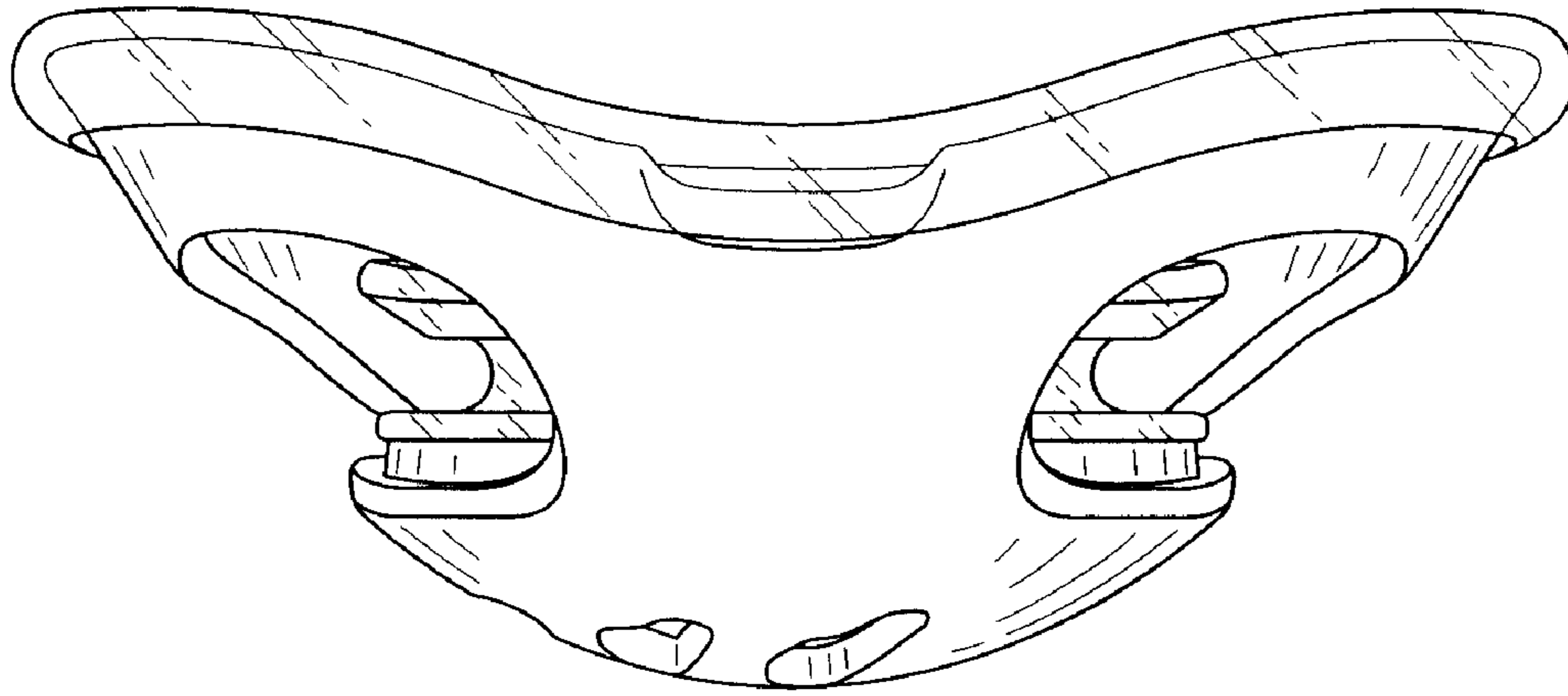


FIG. 5

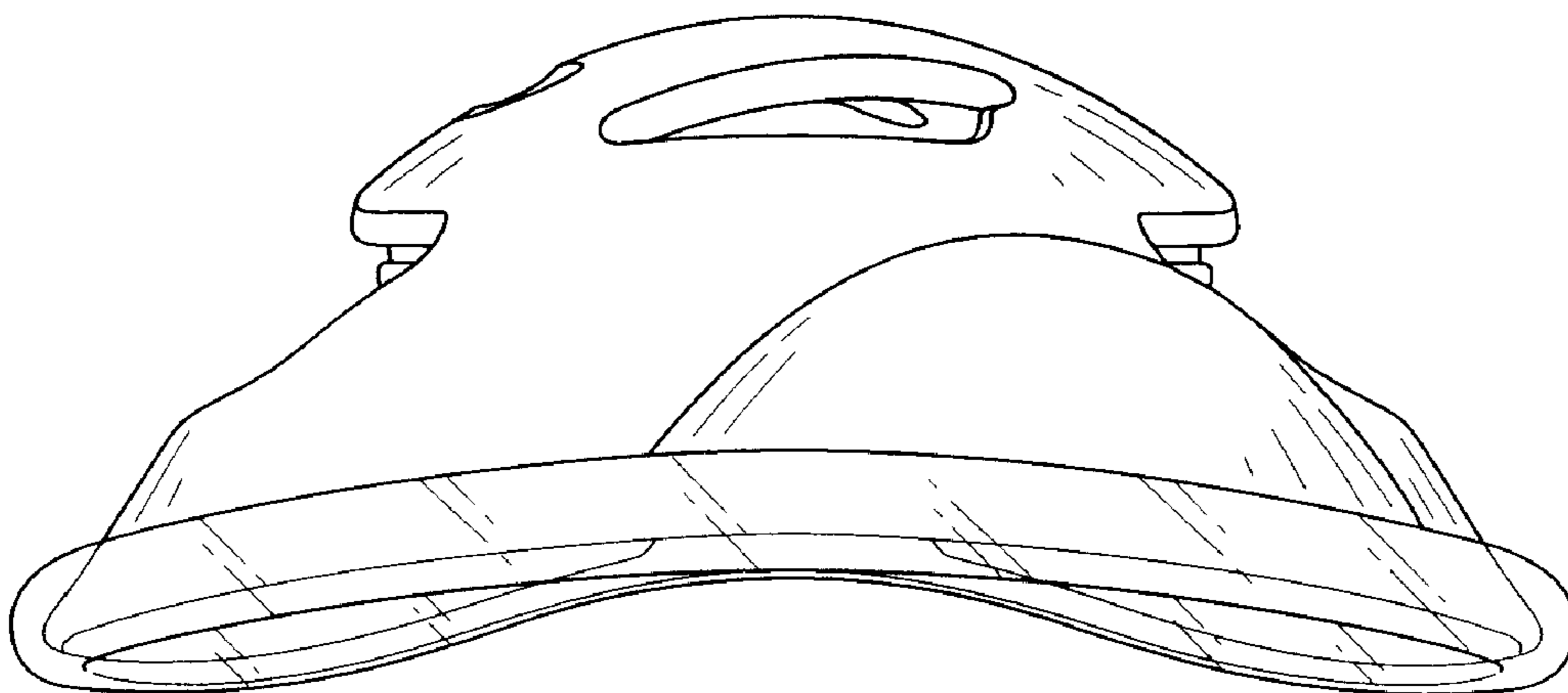


FIG. 6



FIG. 7

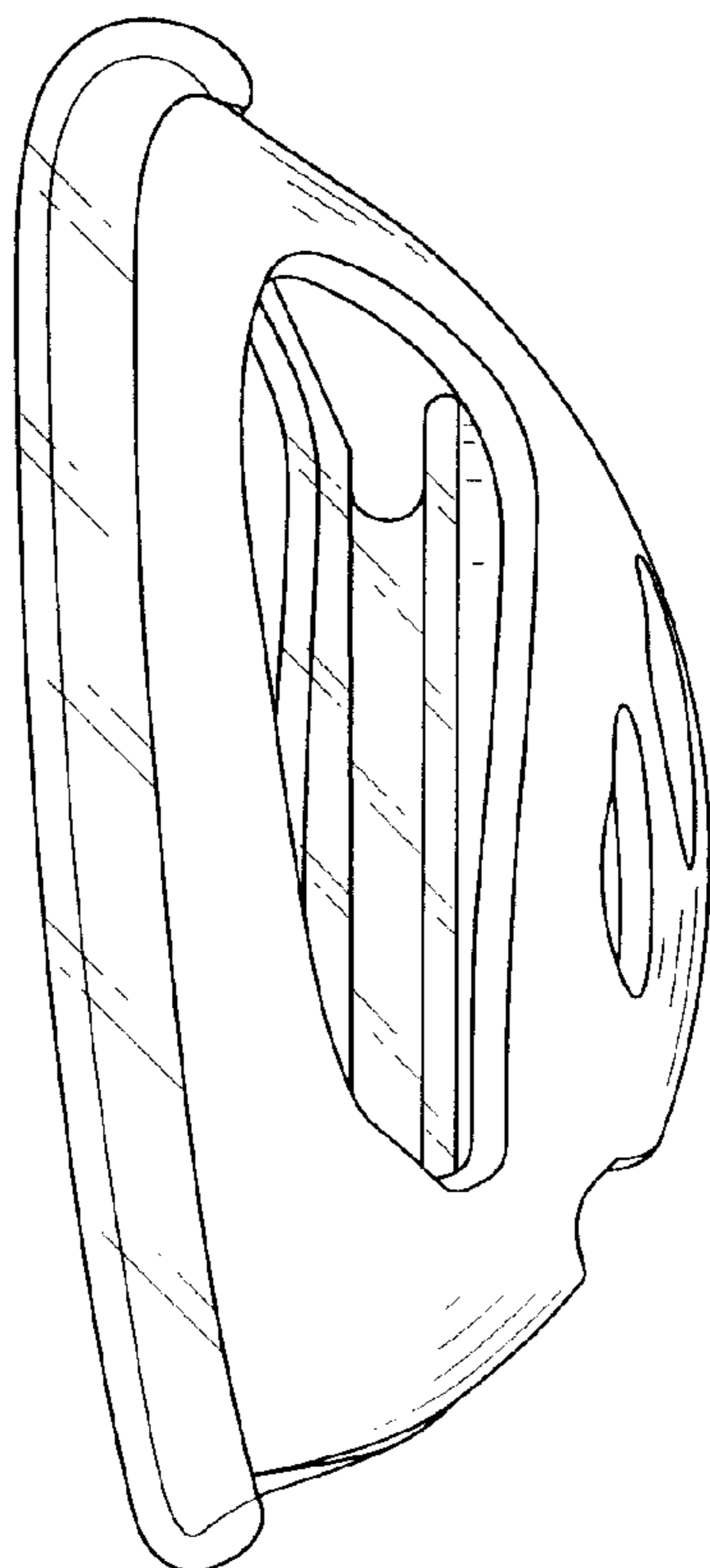


FIG. 8

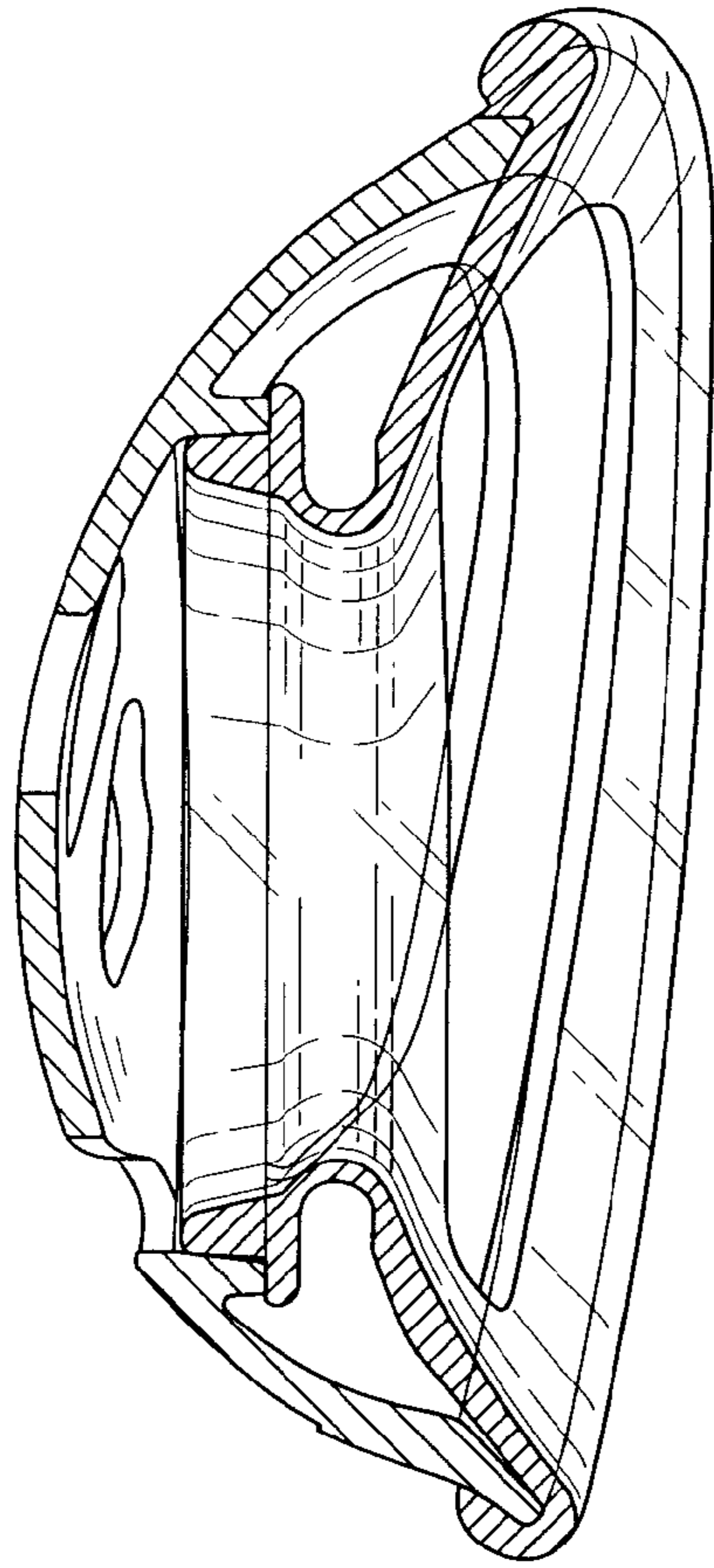


FIG. 9

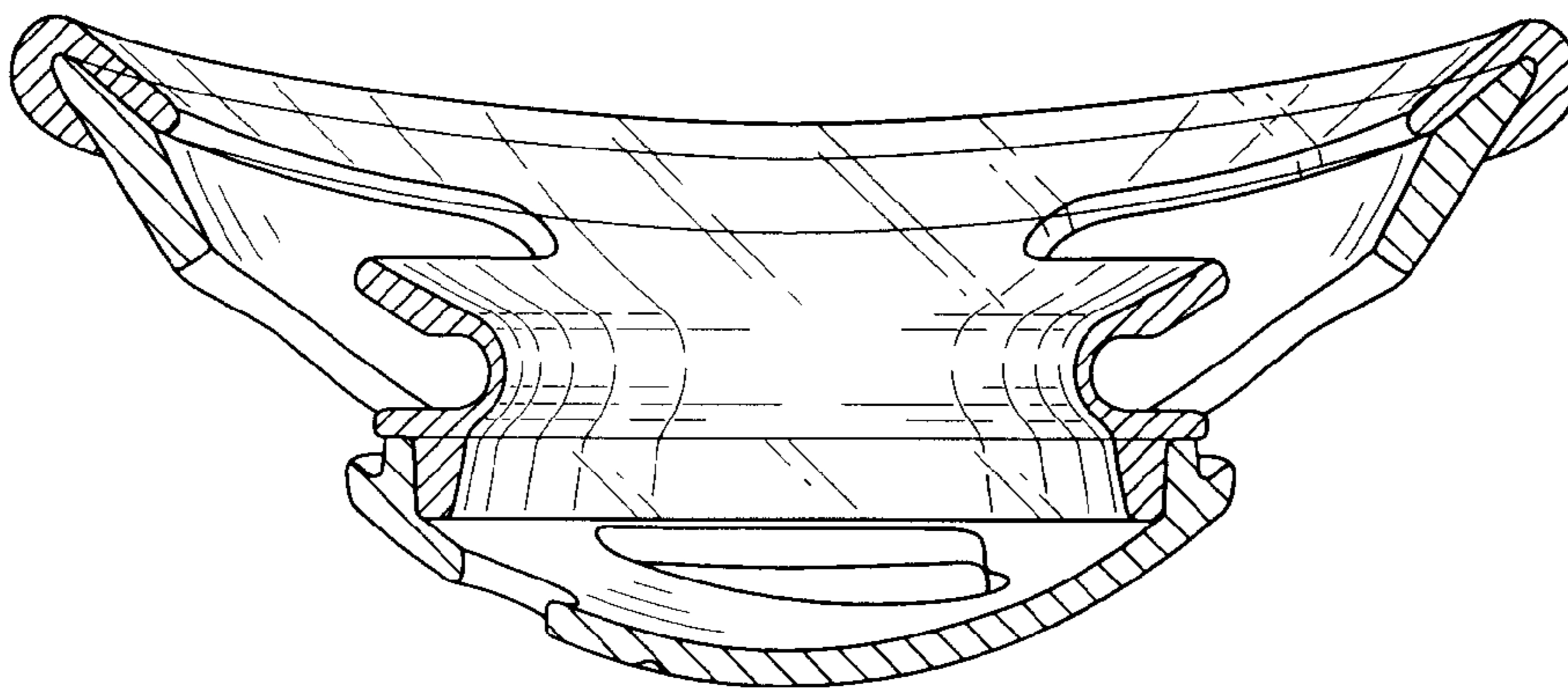


FIG. 10