



US00D598116S

(12) **United States Design Patent**  
**Vollbrecht**

(10) **Patent No.:** **US D598,116 S**

(45) **Date of Patent:** **\*\* Aug. 11, 2009**

(54) **ORTHOSIS**

(75) Inventor: **Matthias Vollbrecht**, Herzberg (DE)

(73) Assignee: **Otto Bock HealthCare IP GmbH & Co., KG**, Duderstadt (DE)

(\*\*) Term: **14 Years**

(21) Appl. No.: **29/327,740**

(22) Filed: **Nov. 12, 2008**

(30) **Foreign Application Priority Data**

May 15, 2008 (EP) ..... 000934385

(51) **LOC (9) Cl.** ..... **24-01**

(52) **U.S. Cl.** ..... **D24/190**

(58) **Field of Classification Search** ..... D24/188-190;  
602/4-5, 16, 19-21; D29/120.1, 121.1; 601/5,  
601/33; 128/892, DIG. 19; 473/458; 248/118;  
482/901; 2/22, 45

See application file for complete search history.

(56) **References Cited**

**U.S. PATENT DOCUMENTS**

1,257,297	A *	2/1918	Brown	.....	602/16
1,639,815	A *	8/1927	Siebrandt	.....	602/16
2,191,283	A *	2/1940	Longfellow	.....	602/16
4,241,731	A *	12/1980	Pauley	.....	602/4
4,651,719	A *	3/1987	Funk et al.	.....	601/33
4,836,195	A *	6/1989	Berrehail	.....	602/20
4,984,789	A *	1/1991	Socci	.....	473/458
5,385,536	A *	1/1995	Burkhead et al.	.....	602/20
5,407,420	A *	4/1995	Bastyr et al.	.....	602/5

5,538,499	A *	7/1996	Schwenn et al.	.....	602/20
5,759,165	A *	6/1998	Malewicz	.....	602/21
D396,291	S *	7/1998	Bakes	.....	D24/190
D404,818	S *	1/1999	Cruz	.....	D24/190
D422,362	S *	4/2000	Ames	.....	D24/183
6,113,562	A *	9/2000	Bonutti et al.	.....	602/20

\* cited by examiner

*Primary Examiner*—Philip S Hyder

*Assistant Examiner*—Susan E Krakower

(74) *Attorney, Agent, or Firm*—Whitham Curtis  
Christofferson & Cook, PC

(57) **CLAIM**

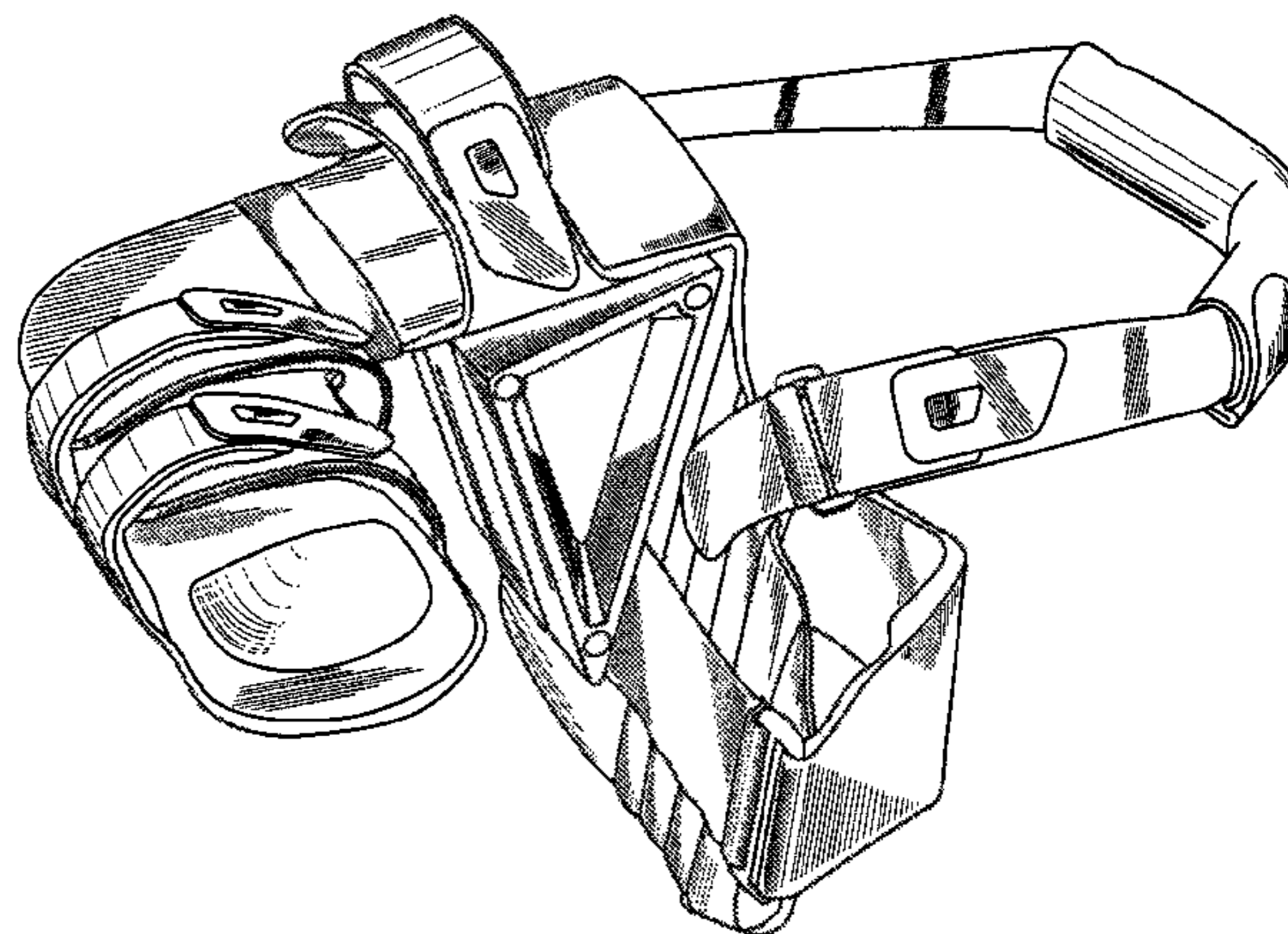
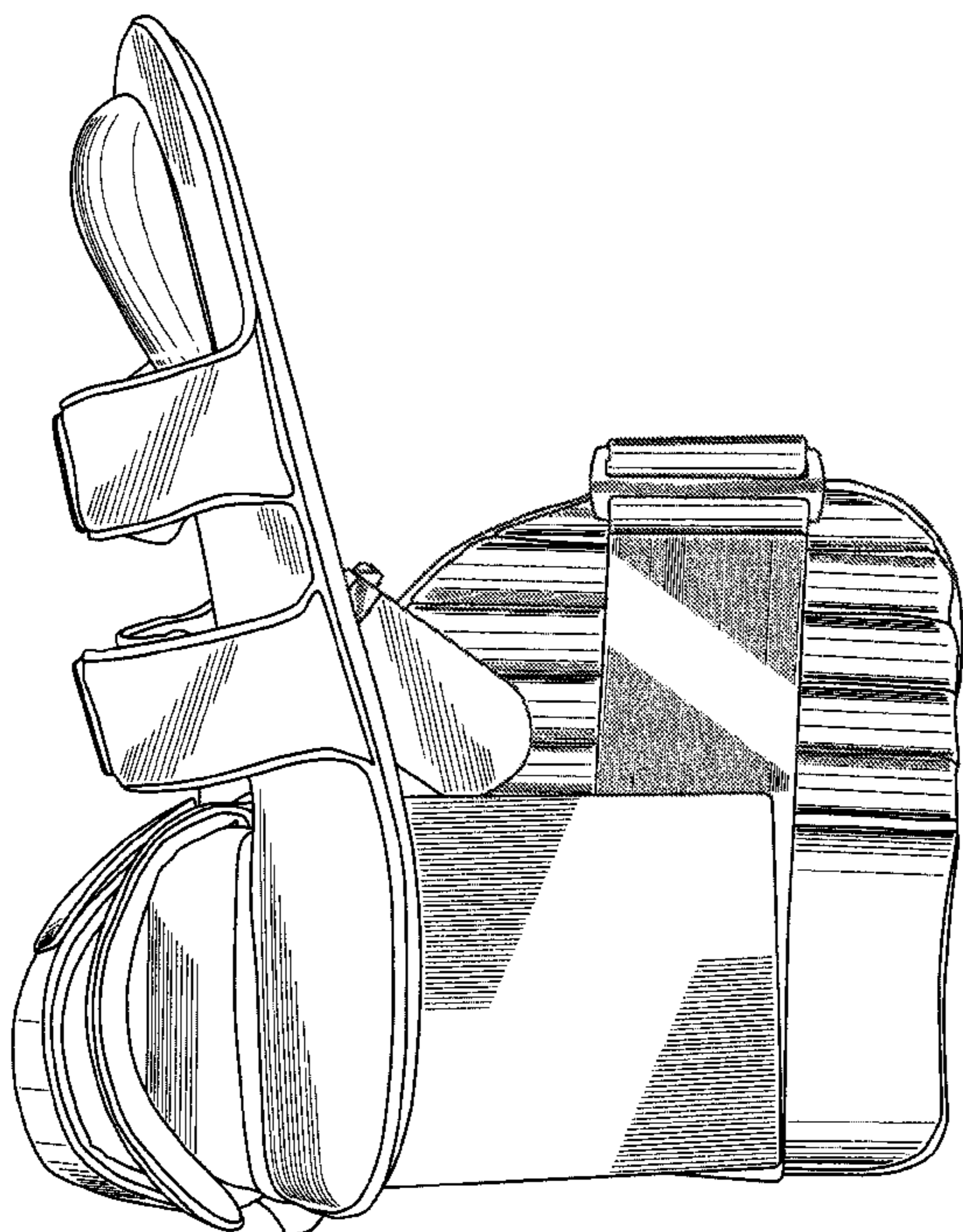
The ornamental design for an orthosis, as shown and described.

**DESCRIPTION**

FIG. 1 is a front elevation view of an orthosis;  
FIG. 2 is a left side elevation view of the orthosis;  
FIG. 3 is a rear elevation view of the orthosis;  
FIG. 4 is a right side elevation view of the orthosis;  
FIG. 5 is a top side view of the orthosis;  
FIG. 6 is an isometrical view of the orthosis; and,  
FIG. 7 is an isometric view of a second embodiment of the orthosis of FIGS. 1-6, it being understood that all surfaces are the same as those of the first embodiment, the only difference being that the disclaimed wedge portion.

The broken lines in FIG. 7 showing a wedge portion illustrate environmental structure and form no part of the claimed design.

**1 Claim, 7 Drawing Sheets**



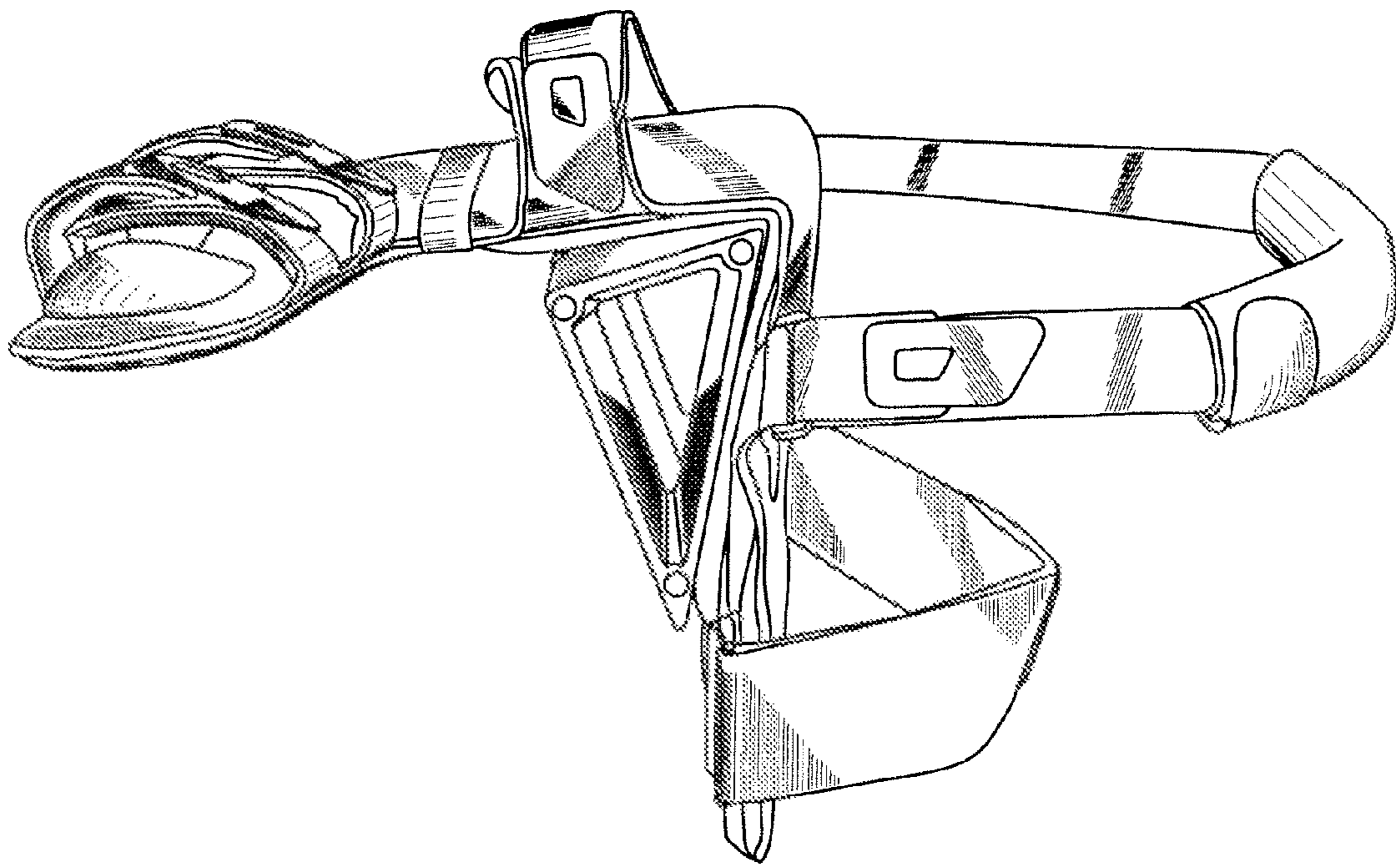


Fig. 1



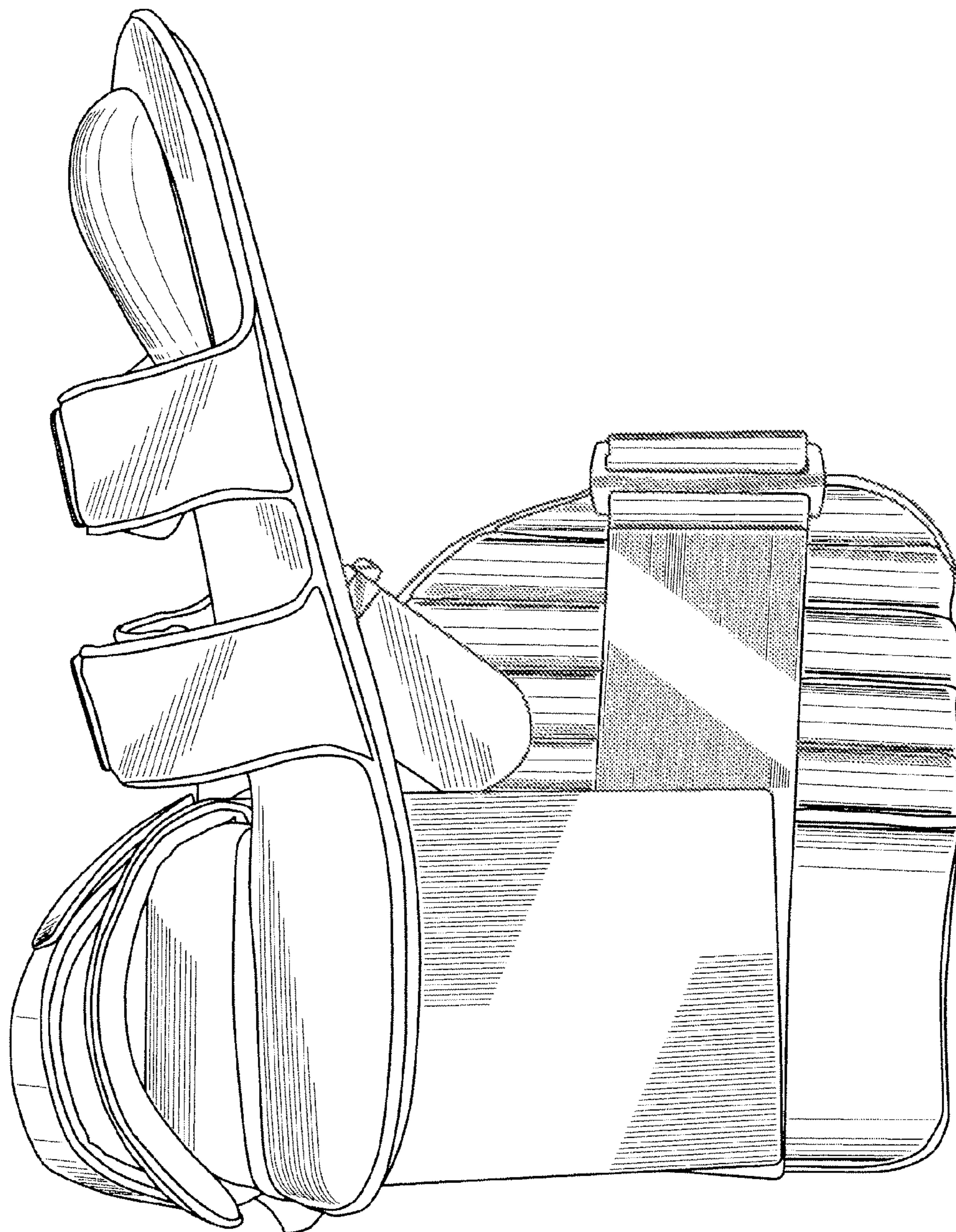


Fig. 2

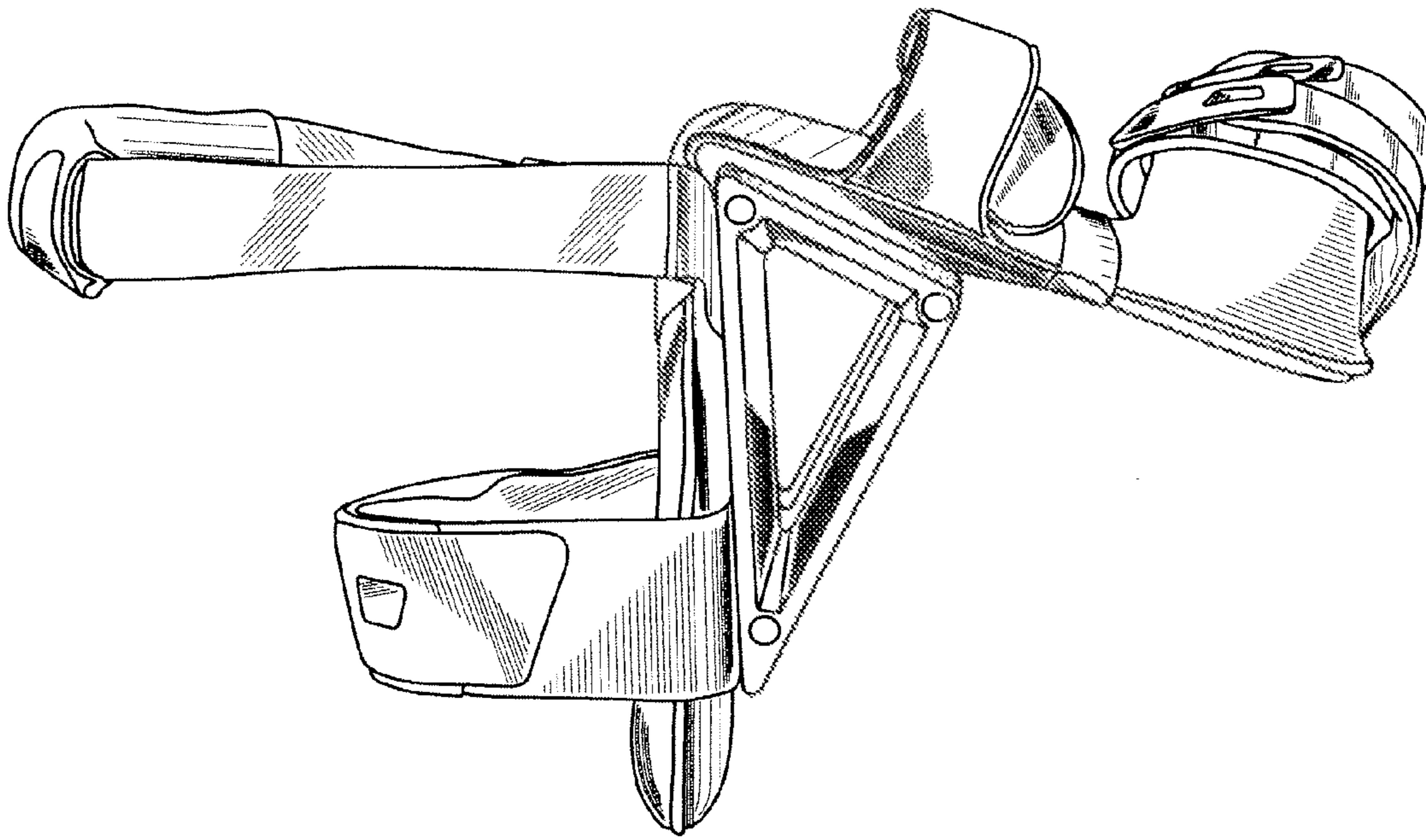


Fig. 3

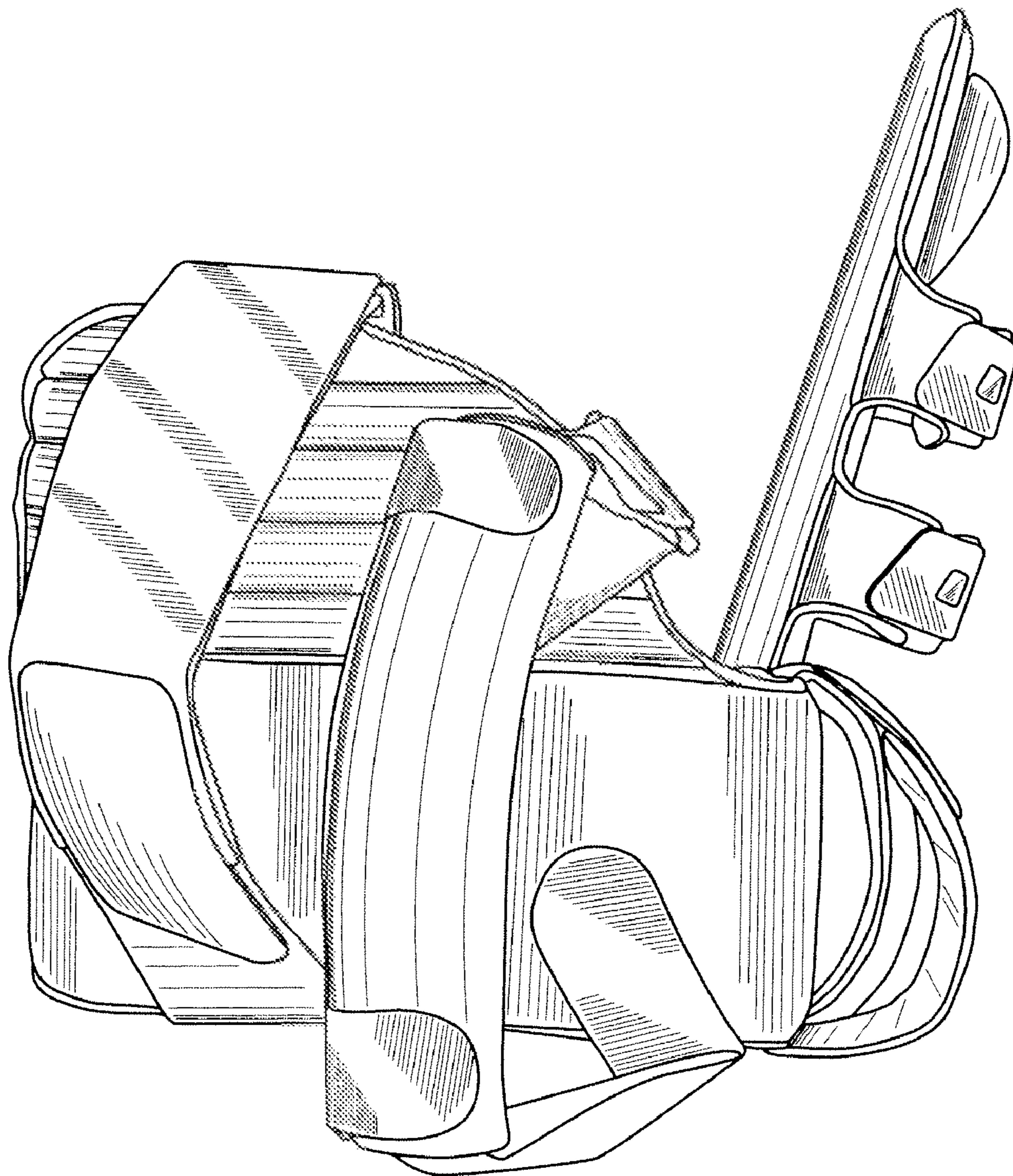


Fig. 4



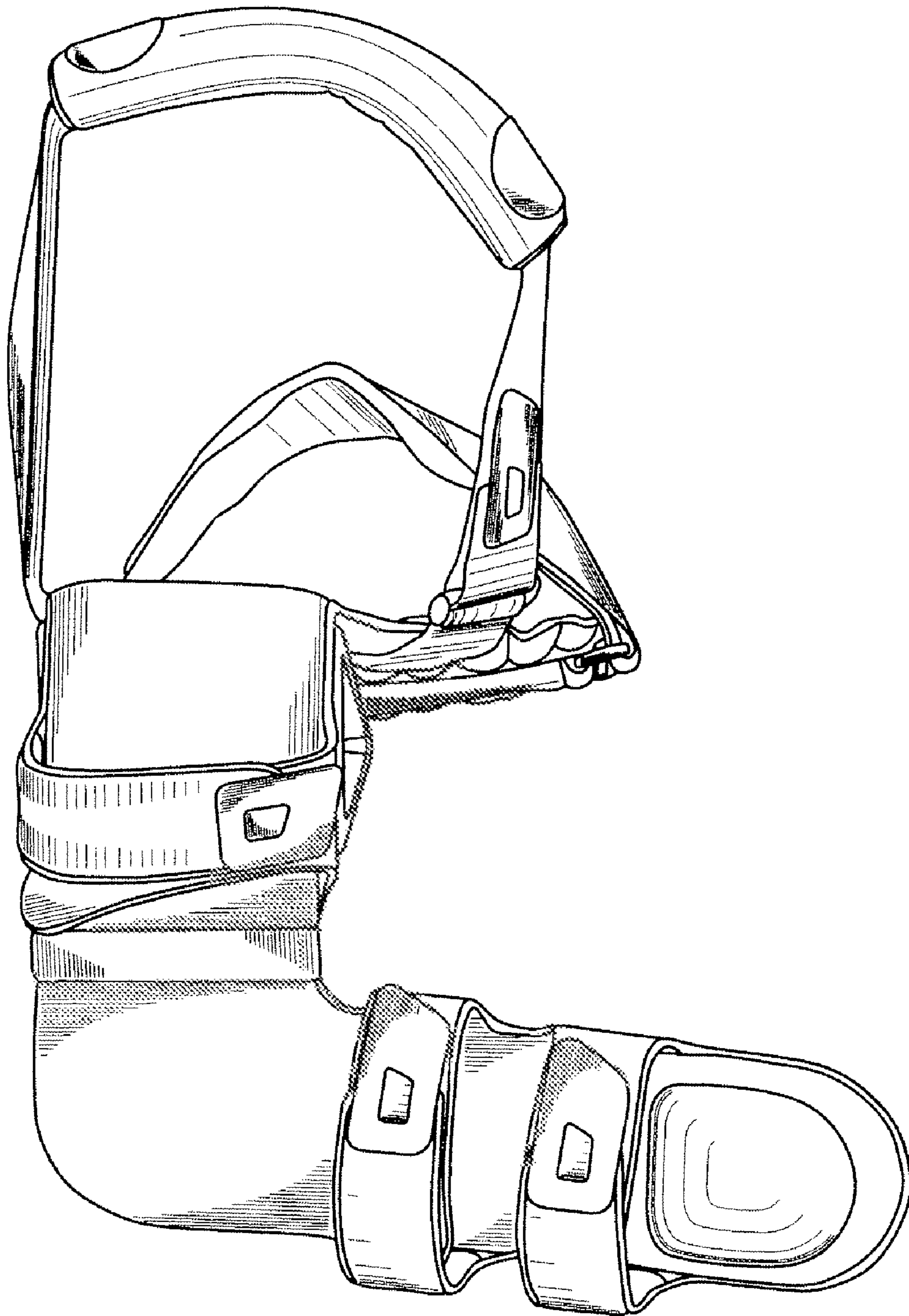


Fig. 5

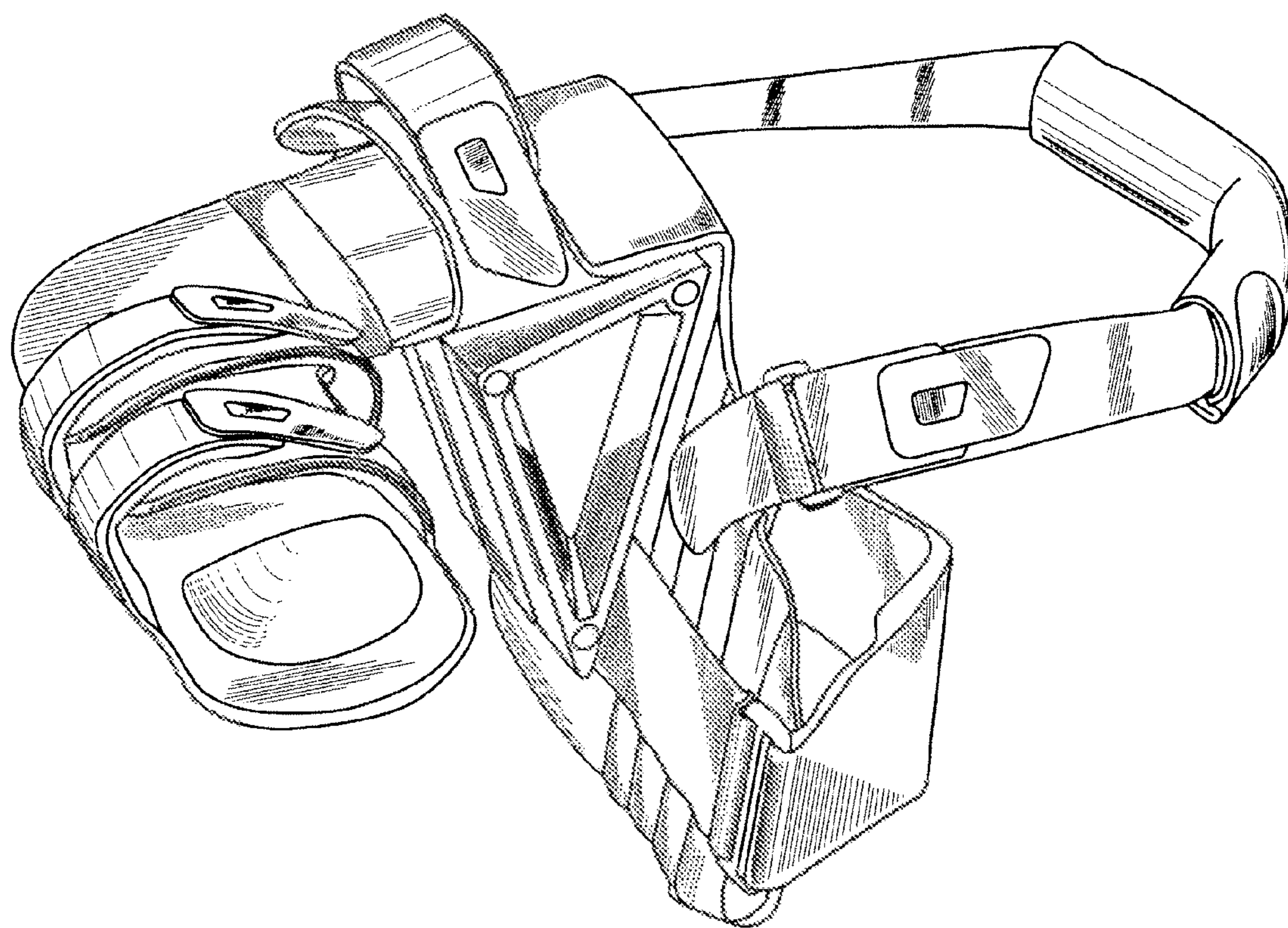


Fig. 6

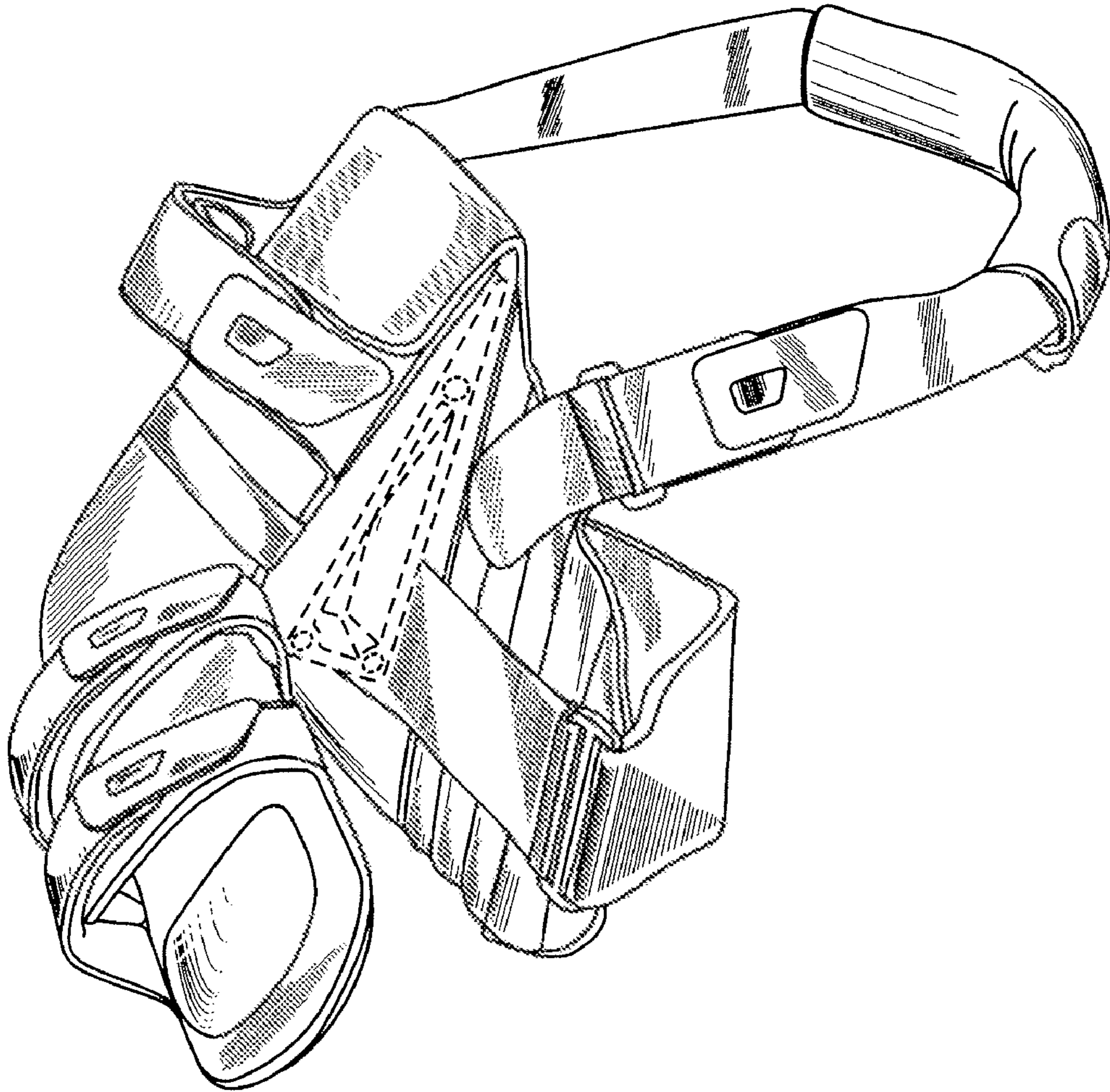


Fig. 7