



US00D598114S

(12) **United States Design Patent**
Cryan

(10) **Patent No.:** **US D598,114 S**

(45) **Date of Patent:** **** Aug. 11, 2009**

(54) **BIOELECTRODE**

(75) Inventor: **Marc P. Cryan**, Maynard, MA (US)

(73) Assignee: **NeuroMetrix, Inc.**, Waltham, MA (US)

(**) Term: **14 Years**

(21) Appl. No.: **29/322,851**

(22) Filed: **Aug. 13, 2008**

(51) **LOC (9) Cl.** **24-01**

(52) **U.S. Cl.** **D24/187**

(58) **Field of Classification Search** D24/167-168,
D24/186-187, 232; D13/182; 600/372-384,
600/386, 388, 393; 607/62, 109, 121, 139
See application file for complete search history.

(56) **References Cited**

U.S. PATENT DOCUMENTS

4,957,109	A *	9/1990	Groeger et al.	600/391
D425,203	S *	5/2000	Sheehan et al.	D24/187
D443,063	S *	5/2001	Pisani et al.	D24/187
6,298,255	B1 *	10/2001	Cordero et al.	600/372
D475,138	S *	5/2003	Baura et al.	D24/187
D492,782	S *	7/2004	Faller et al.	D24/167
6,847,836	B1 *	1/2005	Sujdak	600/393
D501,558	S *	2/2005	Chastain et al.	D24/187
D505,206	S *	5/2005	Chastain et al.	D24/187
D524,943	S *	7/2006	Faller et al.	D24/167
D536,673	S *	2/2007	Silber	D13/182

D541,421	S *	4/2007	Metzger et al.	D24/187
D560,809	S *	1/2008	Causevic et al.	D24/187

* cited by examiner

Primary Examiner—Robert A. Delehanty

Assistant Examiner—Mark Cavanna

(74) *Attorney, Agent, or Firm*—Pandiscio & Pandiscio

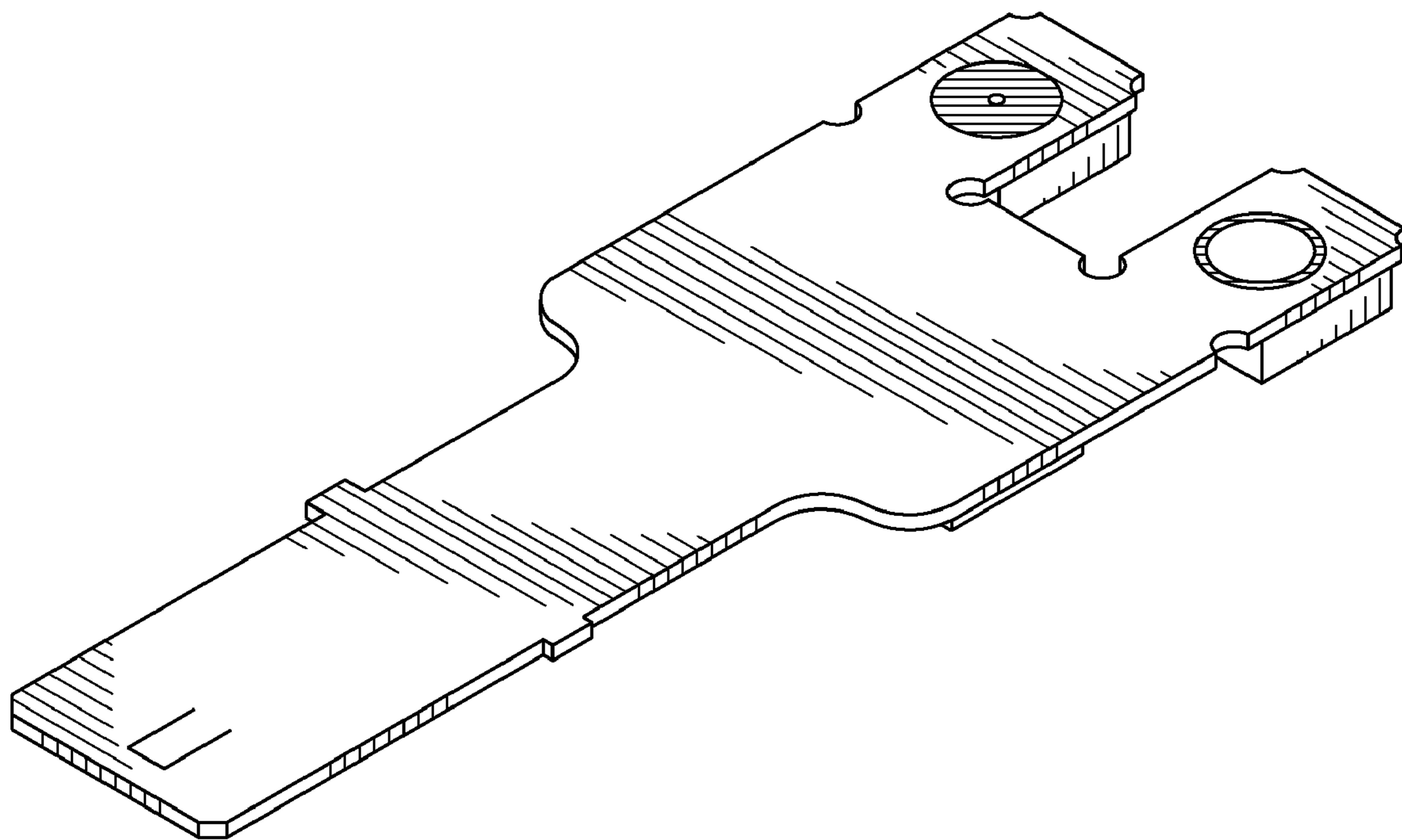
(57) **CLAIM**

The ornamental design for a bioelectrode, as shown and described.

DESCRIPTION

FIG. 1 is a perspective view of the bioelectrode;
 FIG. 2 is a front side view, in elevation, of the bioelectrode, taken from the frame of reference of FIG. 1;
 FIG. 3 is a rear side view, in elevation, of the bioelectrode, taken from the frame of reference of FIG. 1;
 FIG. 4 is a right end view, in elevation, of the bioelectrode, taken from the frame of reference of FIG. 1;
 FIG. 5 is a left end view, in elevation, of the bioelectrode, taken from the frame of reference of FIG. 1;
 FIG. 6 is a top face view of the bioelectrode, taken from the frame of reference of FIG. 1; and,
 FIG. 7 is a bottom face view of the bioelectrode, taken from the frame of reference of FIG. 1.

1 Claim, 4 Drawing Sheets



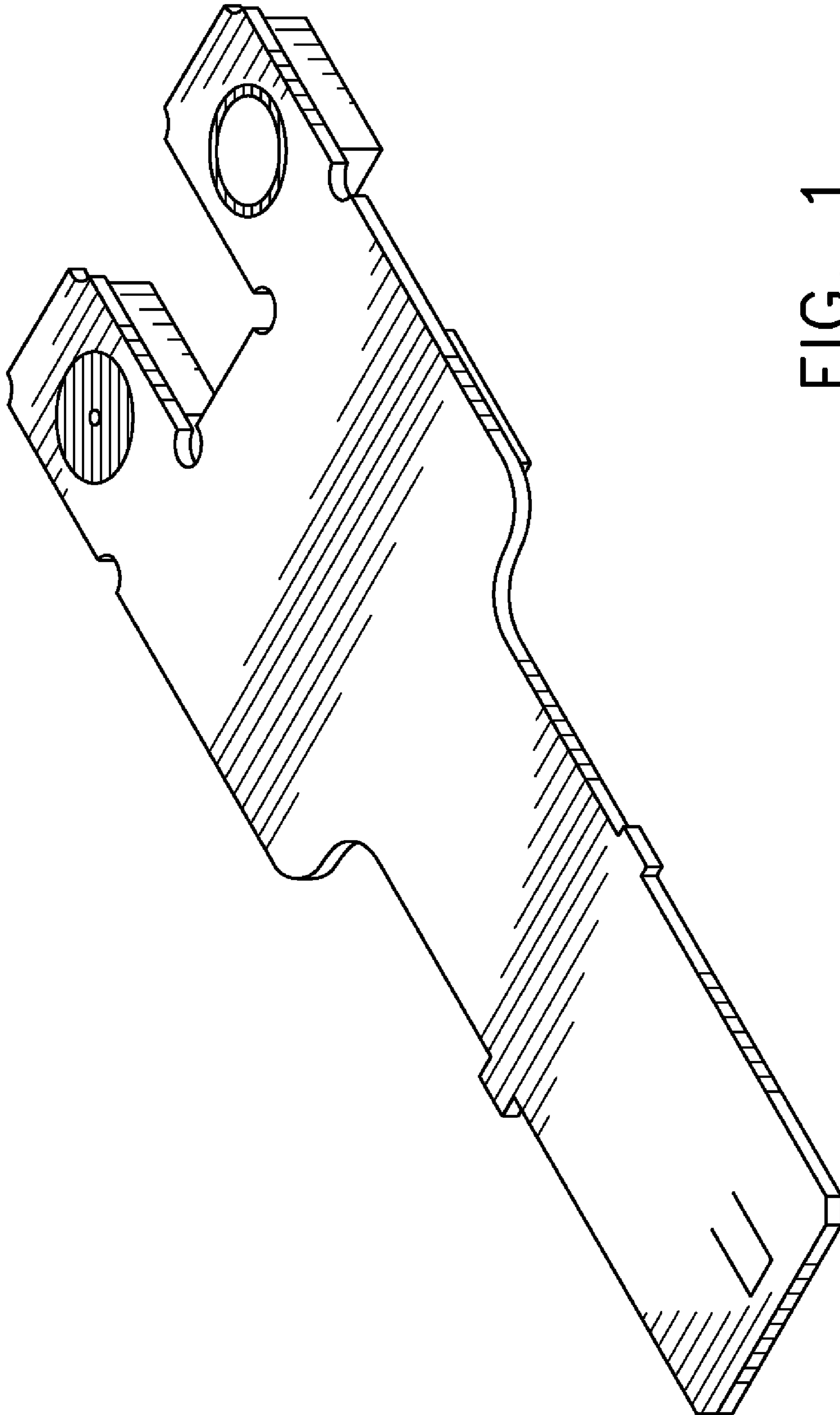


FIG. 1

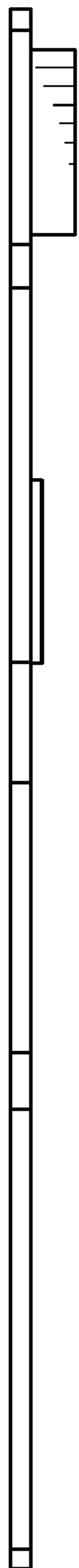


FIG. 2

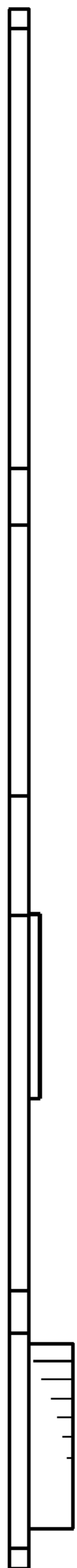


FIG. 3

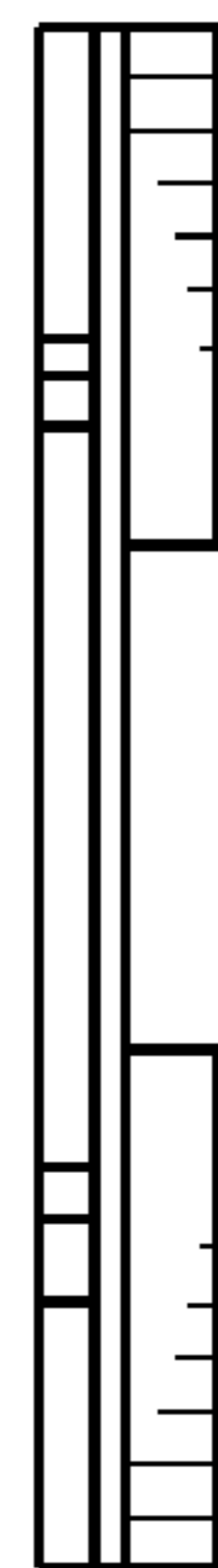


FIG. 4

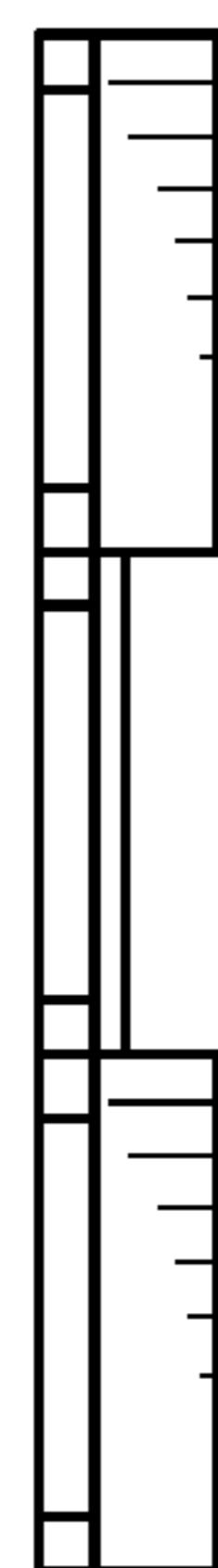


FIG. 5

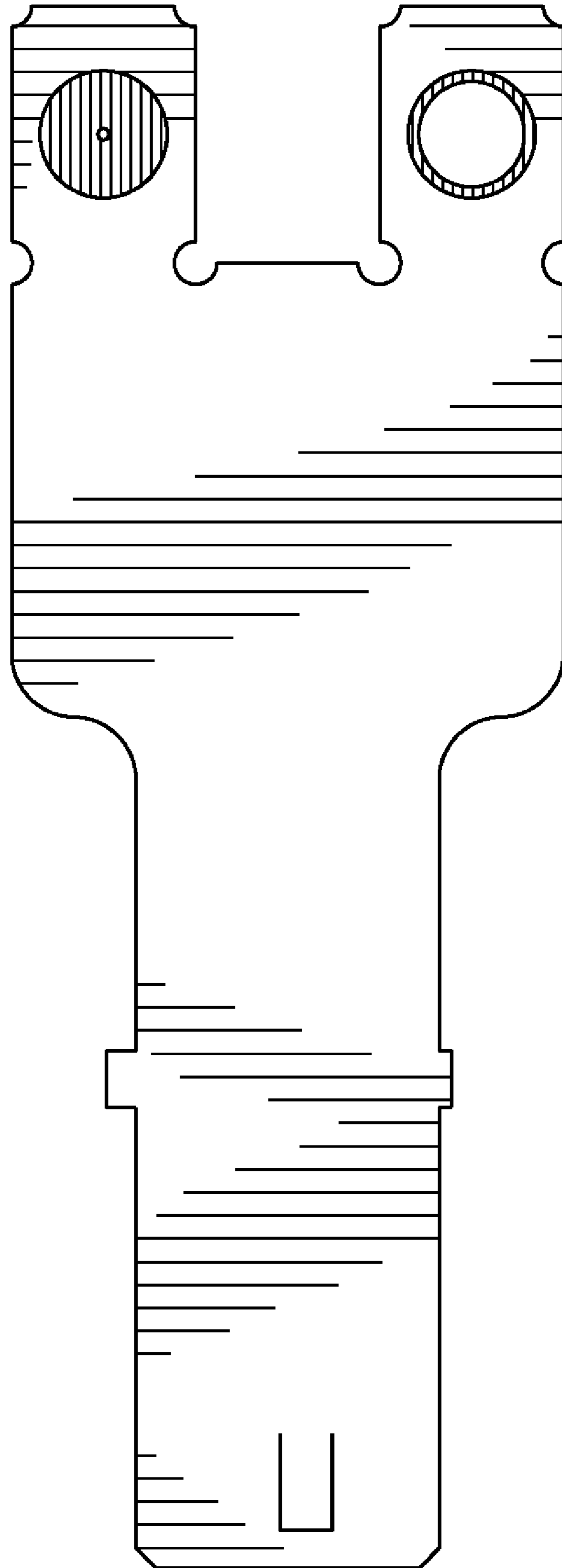


FIG. 6

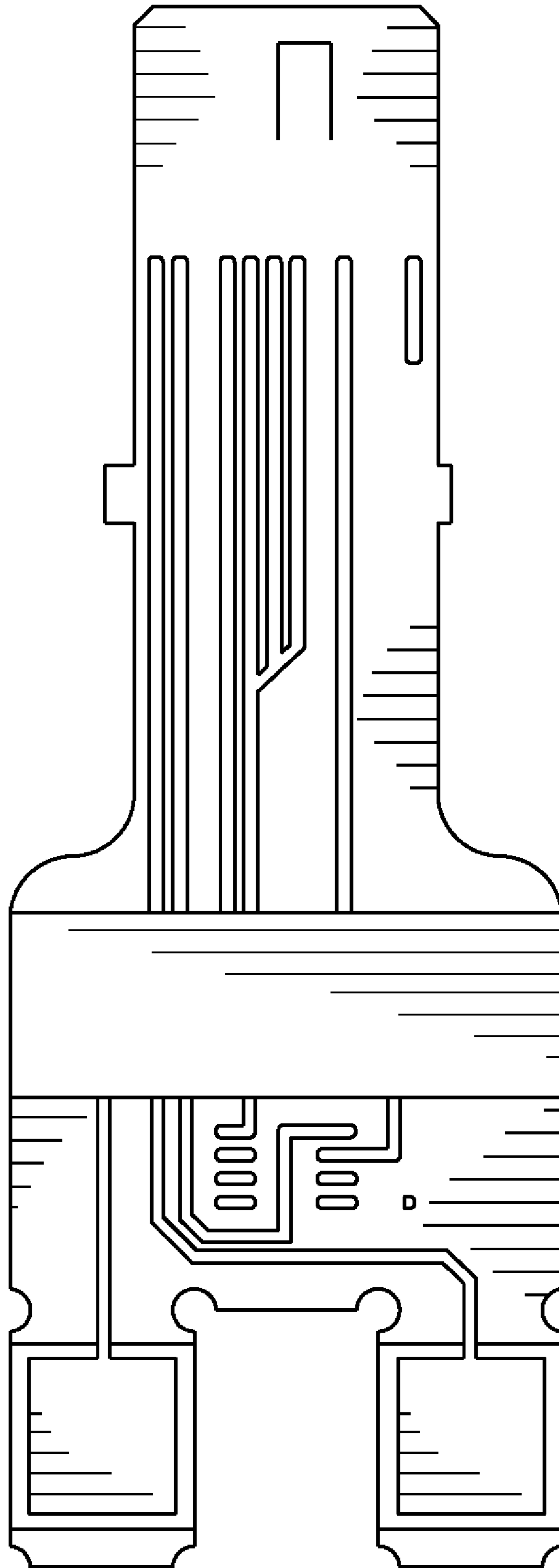


FIG. 7