



US00D598110S

(12) **United States Design Patent**
Phillips et al.

(10) **Patent No.:** **US D598,110 S**
(45) **Date of Patent:** **** Aug. 11, 2009**

(54) **ELECTRODE PATCH**

(75) Inventors: **Paul David Phillips**, Donaghadee (GB);
Brian McGregor, Dromora (GB);
Wesley James McKean, Londonderry (GB)

(73) Assignee: **HeartScape Technologies, Inc.**,
Columbia, MD (US)

(**) Term: **14 Years**

(21) Appl. No.: **29/318,313**

(22) Filed: **May 16, 2008**

(51) **LOC (9) Cl.** **24-01**

(52) **U.S. Cl.** **D24/187**

(58) **Field of Classification Search** D24/167-168,
D24/186-187, 232; D13/182; 600/372-384,
600/386, 388, 393; 607/62, 109, 121, 139;
174/254-255

See application file for complete search history.

(56) **References Cited**

U.S. PATENT DOCUMENTS

D232,589	S *	8/1974	Hinnenekamp	D24/168
5,419,337	A	5/1995	Dempsey et al.		
5,733,151	A	3/1998	Edsall et al.		
6,055,448	A	4/2000	Anderson et al.		
D452,323	S *	12/2001	Mastrototaro et al.	D24/187
6,385,473	B1 *	5/2002	Haines et al.	600/393
6,415,169	B1 *	7/2002	Kornrumpf et al.	600/382
6,453,186	B1 *	9/2002	Lovejoy et al.	600/386

6,721,593	B2	4/2004	Anderson et al.		
6,778,851	B2	8/2004	Anderson et al.		
D501,558	S *	2/2005	Chastain et al.	D24/187
D505,206	S *	5/2005	Chastain et al.	D24/187
7,127,279	B2	10/2006	Finneran et al.		
D541,421	S *	4/2007	Metzger et al.	D24/187
D565,183	S *	3/2008	Cheng et al.	D24/168
7,439,449	B1 *	10/2008	Kumar et al.	174/254
7,446,261	B2 *	11/2008	Kumar et al.	174/255

* cited by examiner

Primary Examiner—T. Chase Nelson

Assistant Examiner—Mark Cavanna

(74) *Attorney, Agent, or Firm*—Wolf, Greenfield & Sacks, P.C.

(57) **CLAIM**

The ornamental design for an electrode patch, as shown and described.

DESCRIPTION

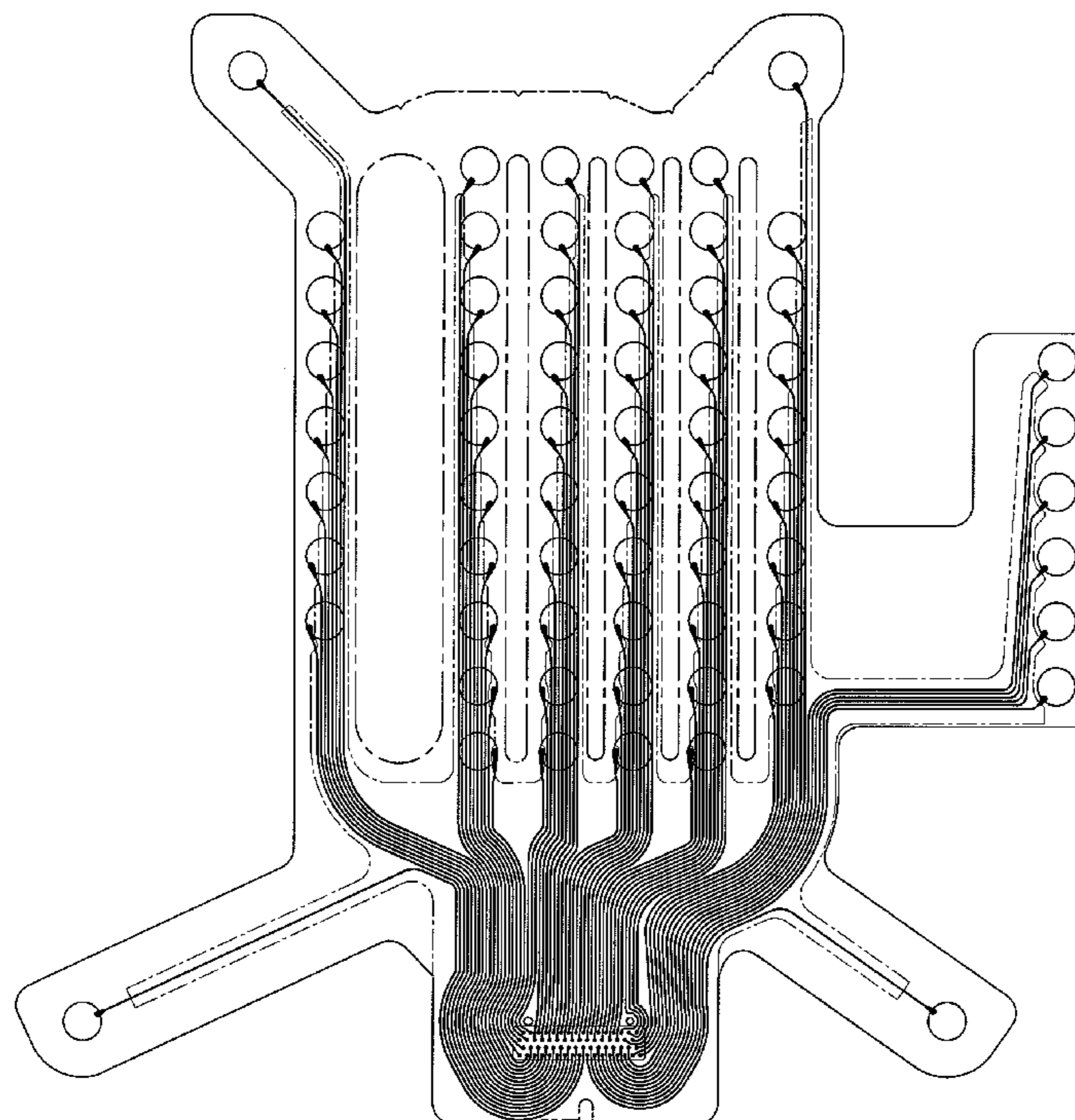
FIG. 1 is a front view of the electrode patch; and,

FIG. 2 is a rear view thereof.

The sides are of no substantial thickness, and the corresponding views are therefore omitted.

The conductive tracings seen in FIG. 2 of the drawing views are shown in broken lines and form no part of the claimed design. All other broken lines are included for the purpose of illustrating portions of the electrode patch that form no part of the claimed design.

1 Claim, 2 Drawing Sheets



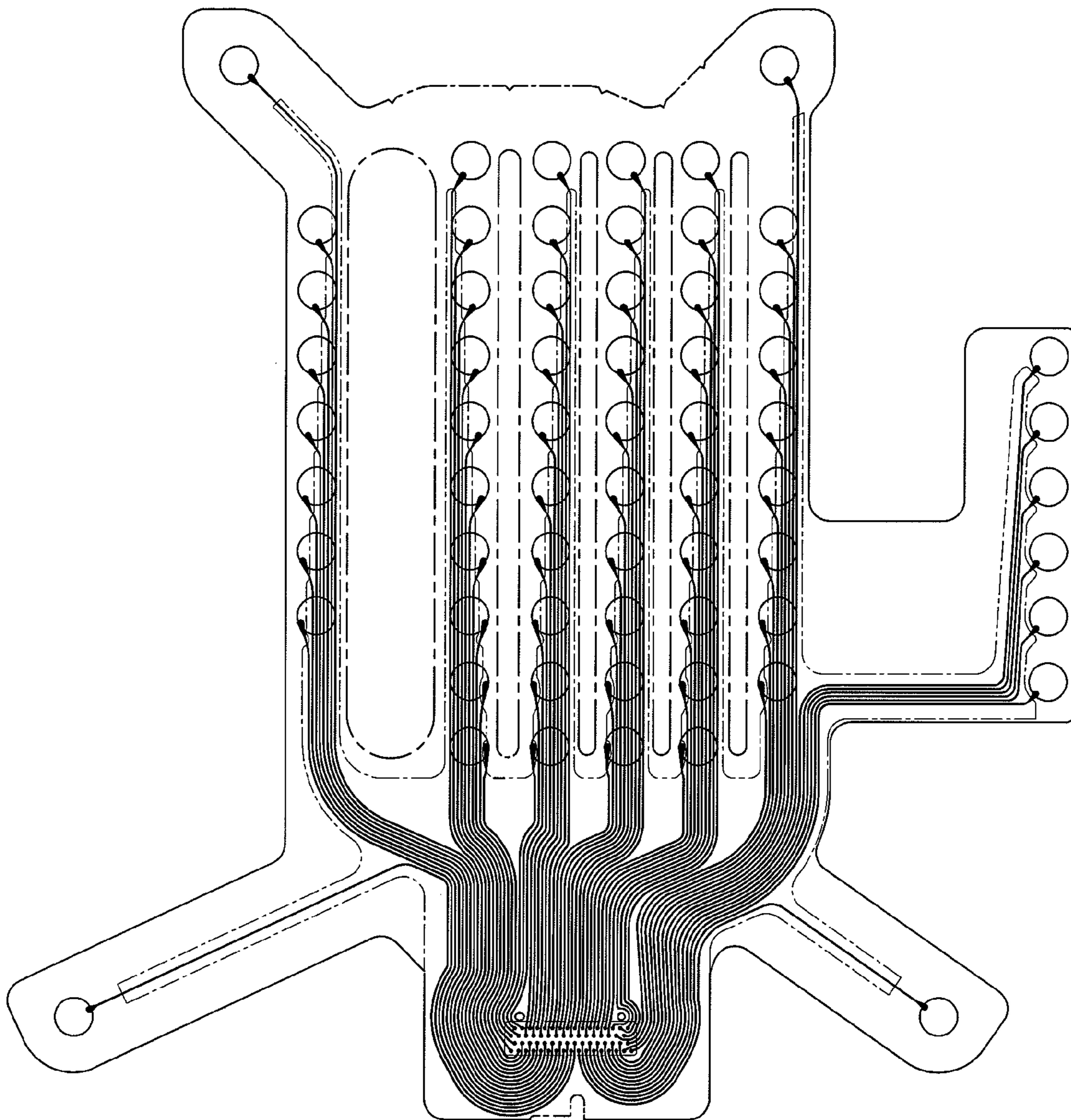


FIG. 1

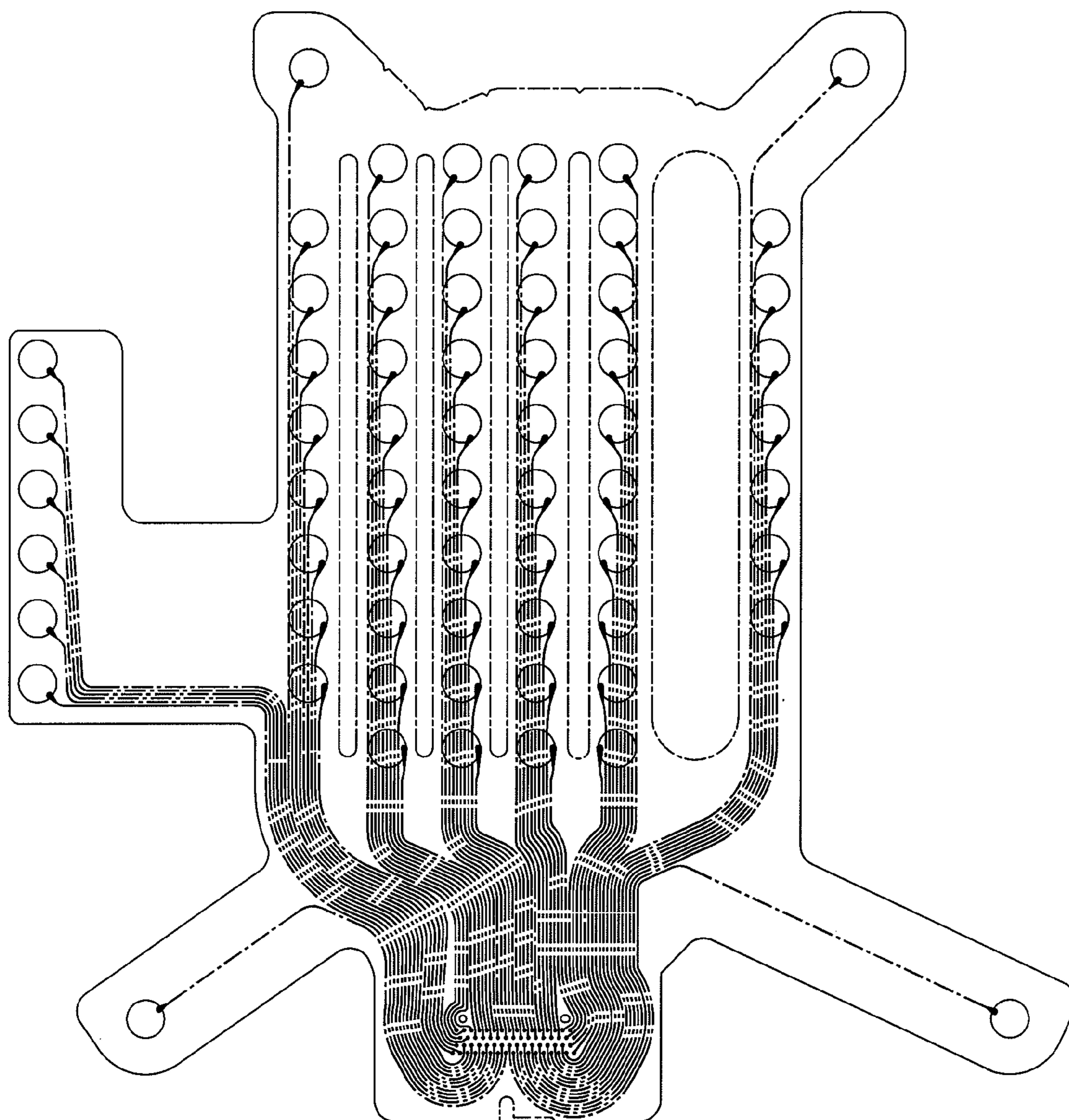


FIG. 2