



US00D598109S

(12) **United States Design Patent**
Collins et al.

(10) **Patent No.:** **US D598,109 S**

(45) **Date of Patent:** **** Aug. 11, 2009**

(54) **GRAPHICAL USER INTERFACE MODULE FOR PATIENT-OPERATED MEDICAL DEVICE**

(75) Inventors: **David E. Collins**, Manchester, NH (US);
Jared Farlow, Manchester, NH (US);
Keith Violette, Sandown, NH (US)

(73) Assignee: **DEKA Products Limited Partnership**,
Manchester, NH (US)

(**) Term: **14 Years**

(21) Appl. No.: **29/323,556**

(22) Filed: **Aug. 27, 2008**

(51) **LOC (9) Cl.** **24-01**

(52) **U.S. Cl.** **D24/186**

(58) **Field of Classification Search** D24/107,
D24/111, 164–165, 168–169, 185–186; 600/301,
600/481, 483–485, 509, 513, 519, 544; 128/900;
D10/81

See application file for complete search history.

(56) **References Cited**

U.S. PATENT DOCUMENTS

D390,666 S *	2/1998	Lagerlof	D24/186
D414,870 S *	10/1999	Saltzstein et al.	D24/186
D447,569 S *	9/2001	Baily et al.	D24/186
D502,655 S *	3/2005	Huang	D10/81
D535,031 S *	1/2007	Barrett et al.	D24/186
D536,795 S *	2/2007	Knieriem et al.	D24/186
D547,453 S *	7/2007	Rogers	D24/186
D547,454 S *	7/2007	Hsieh	D24/186
D549,831 S *	8/2007	Ward et al.	D24/186
D558,351 S *	12/2007	Diener et al.	D24/186
D567,125 S *	4/2008	Okabe et al.	D24/169
D569,521 S *	5/2008	Omaki	D24/186

* cited by examiner

Primary Examiner—Robert A. Delehanty

Assistant Examiner—Mark Cavanna

(74) *Attorney, Agent, or Firm*—Wolf, Greenfield & Sacks, P.C.

(57) **CLAIM**

The ornamental design for graphical user interface module for patient-operated medical device, as shown and described.

DESCRIPTION

FIG. 1 is a top, front, left side perspective view of a graphical user interface module for a patient-operated medical device, according to a first embodiment;

FIG. 2 is a top, rear, left side perspective view of a graphical user interface module for a patient-operated medical device, according to a first embodiment;

FIG. 3 is a front elevational view of a graphical user interface module for a patient-operated medical device, according to a first embodiment;

FIG. 4 is a rear elevational view of a graphical user interface module for a patient-operated medical device, according to a first embodiment;

FIG. 5 is a left side elevational view of a graphical user interface module for a patient-operated medical device, according to a first embodiment;

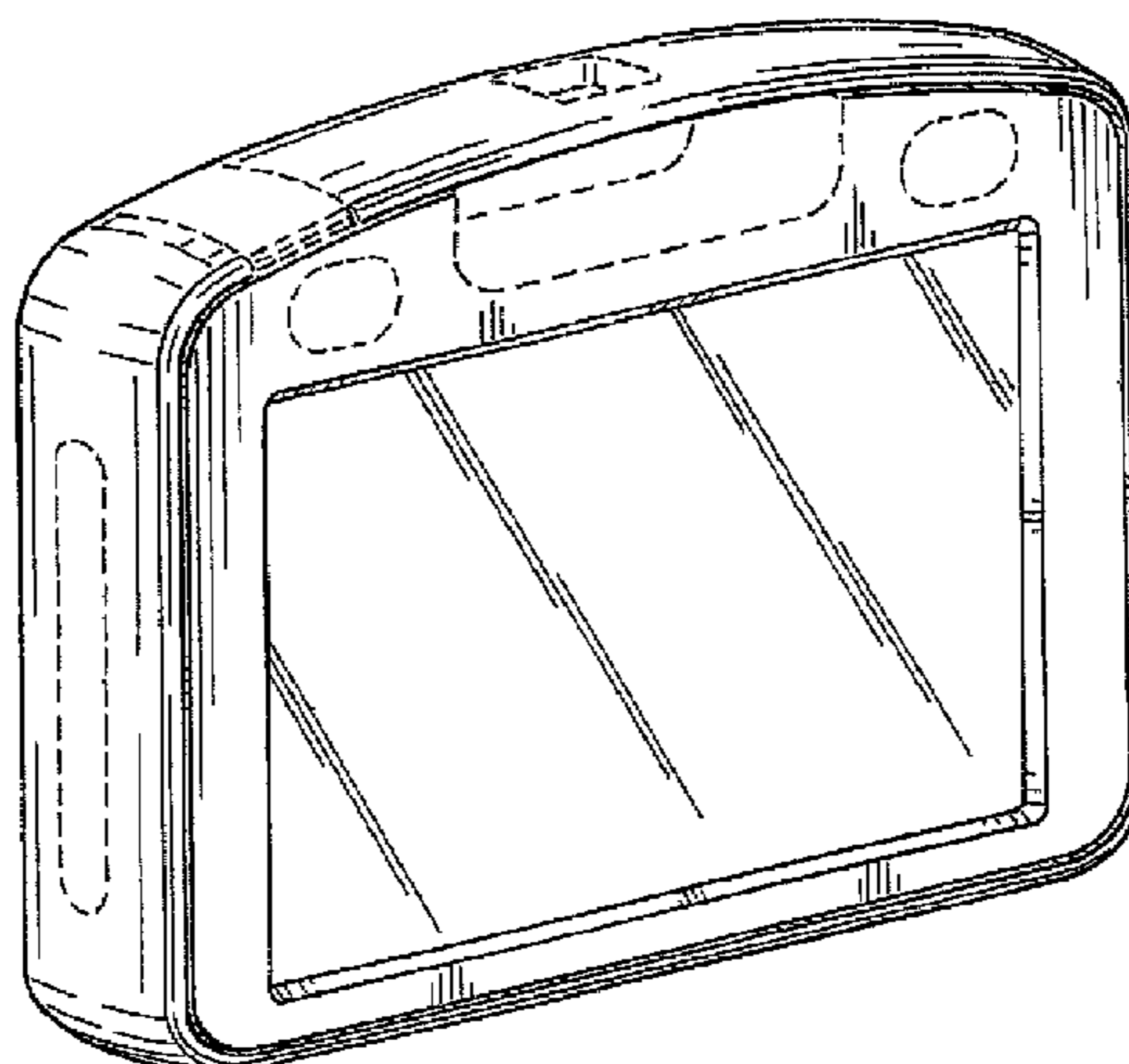
FIG. 6 is a right side elevational view of a graphical user interface module for a patient-operated medical device, according to a first embodiment;

FIG. 7 is a top, plan view of a graphical user interface module for a patient-operated medical device, according to a first embodiment; and,

FIG. 8 is a bottom, plan view of a graphical user interface module for a patient-operated medical device, according to a first embodiment.

The broken lines shown are included for the purpose of illustrating portions of the graphical user interface module for patient-operated medical device that form no part of the claimed design.

1 Claim, 4 Drawing Sheets



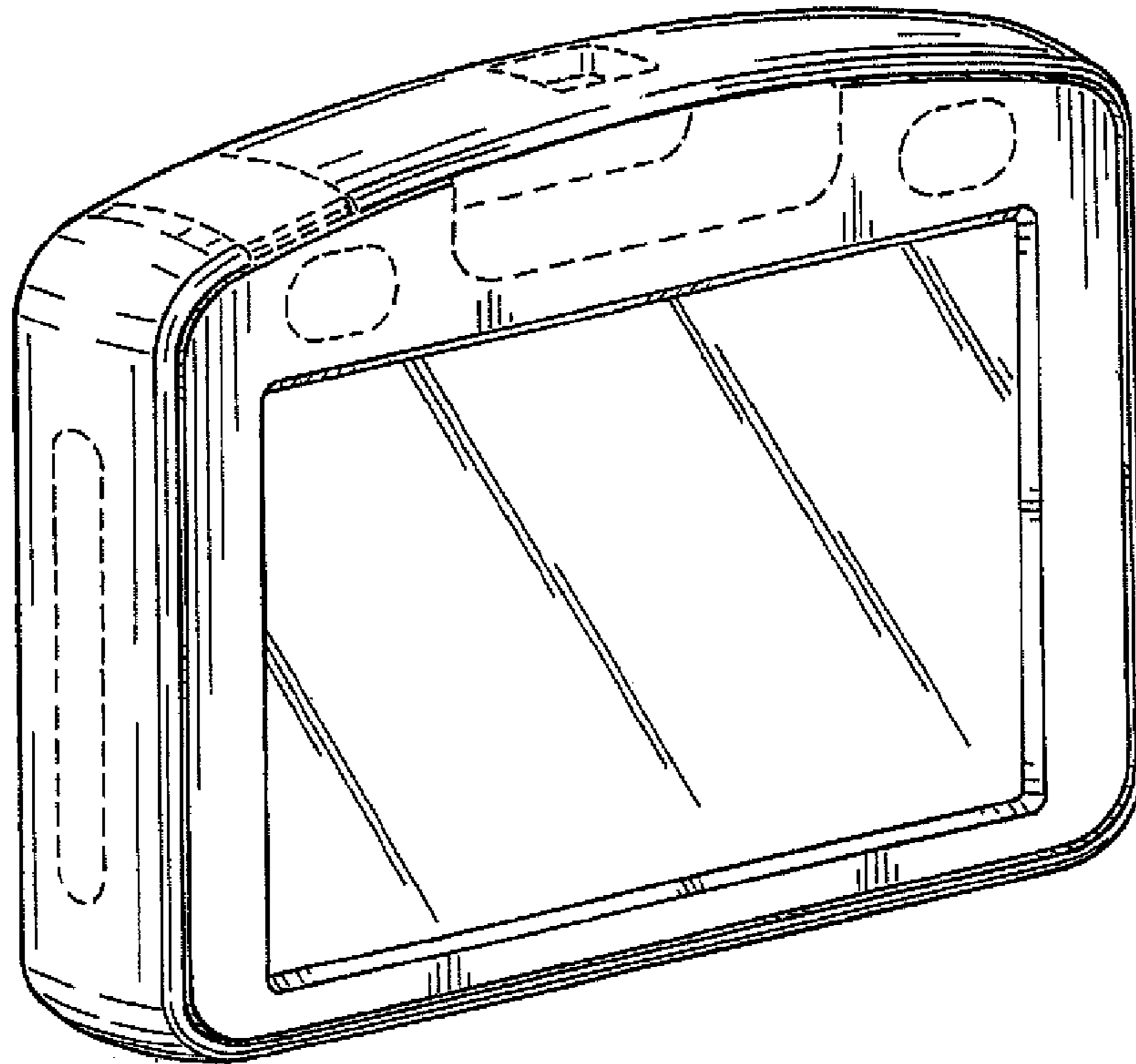


Fig. 1

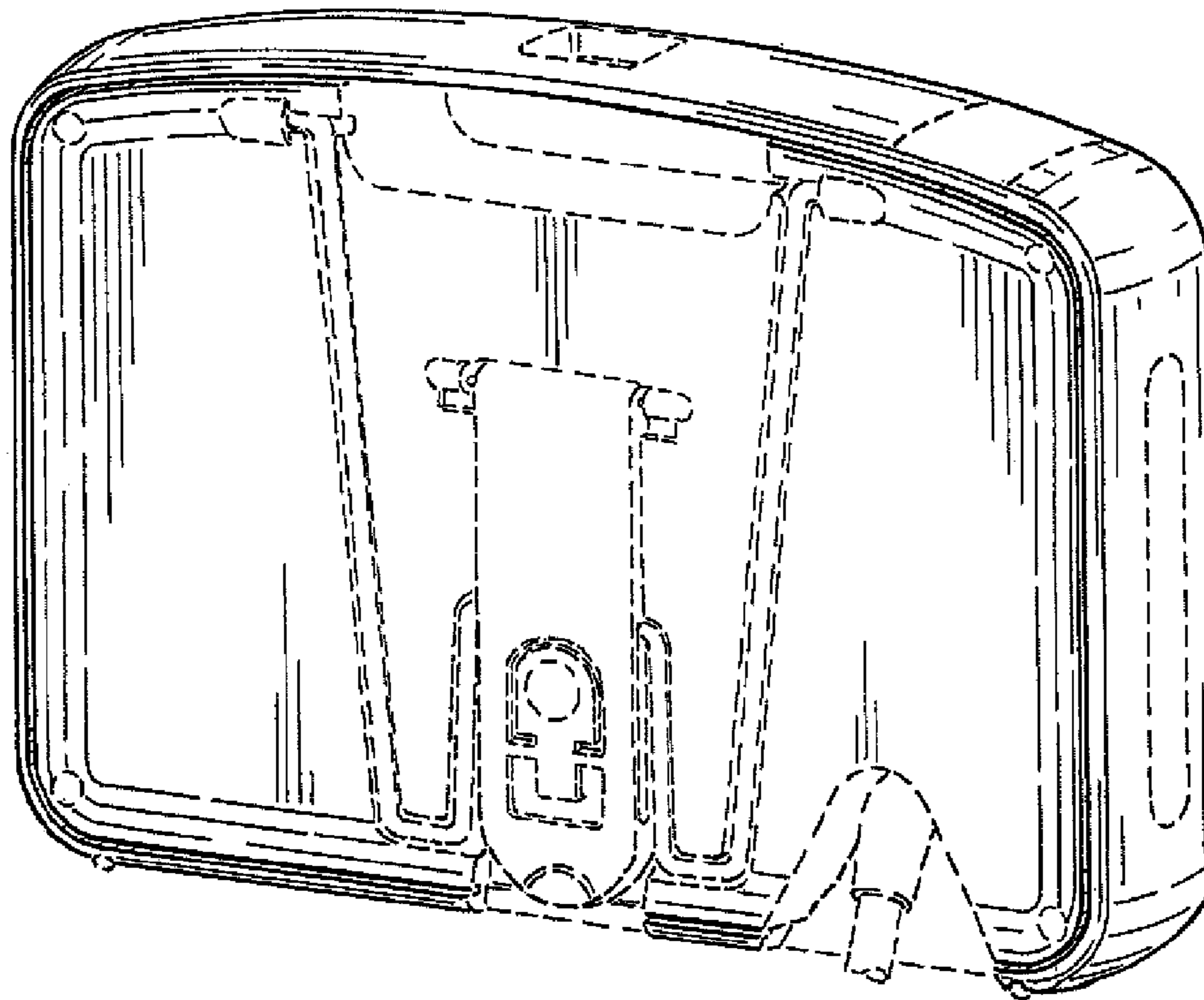


Fig. 2

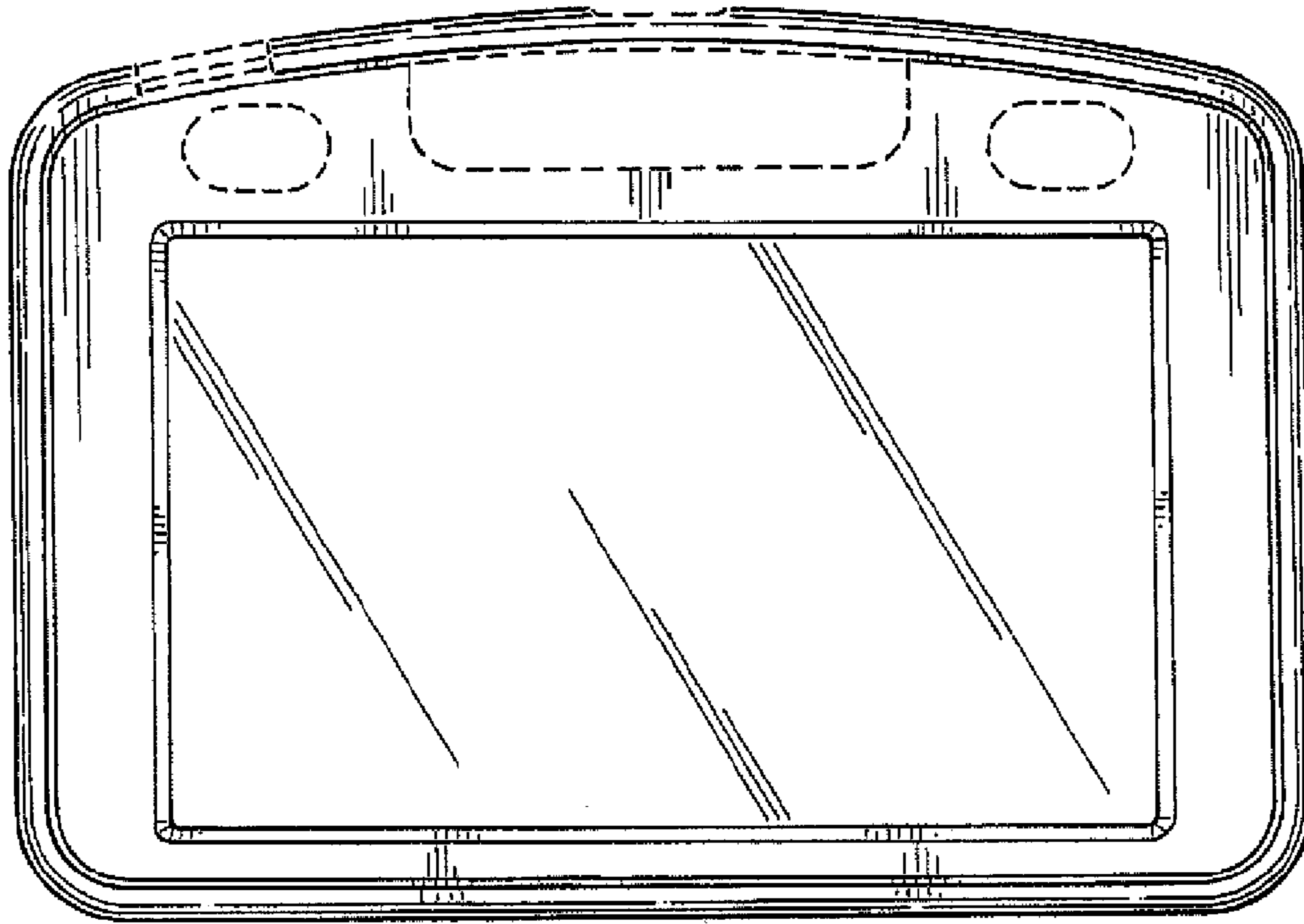


Fig. 3

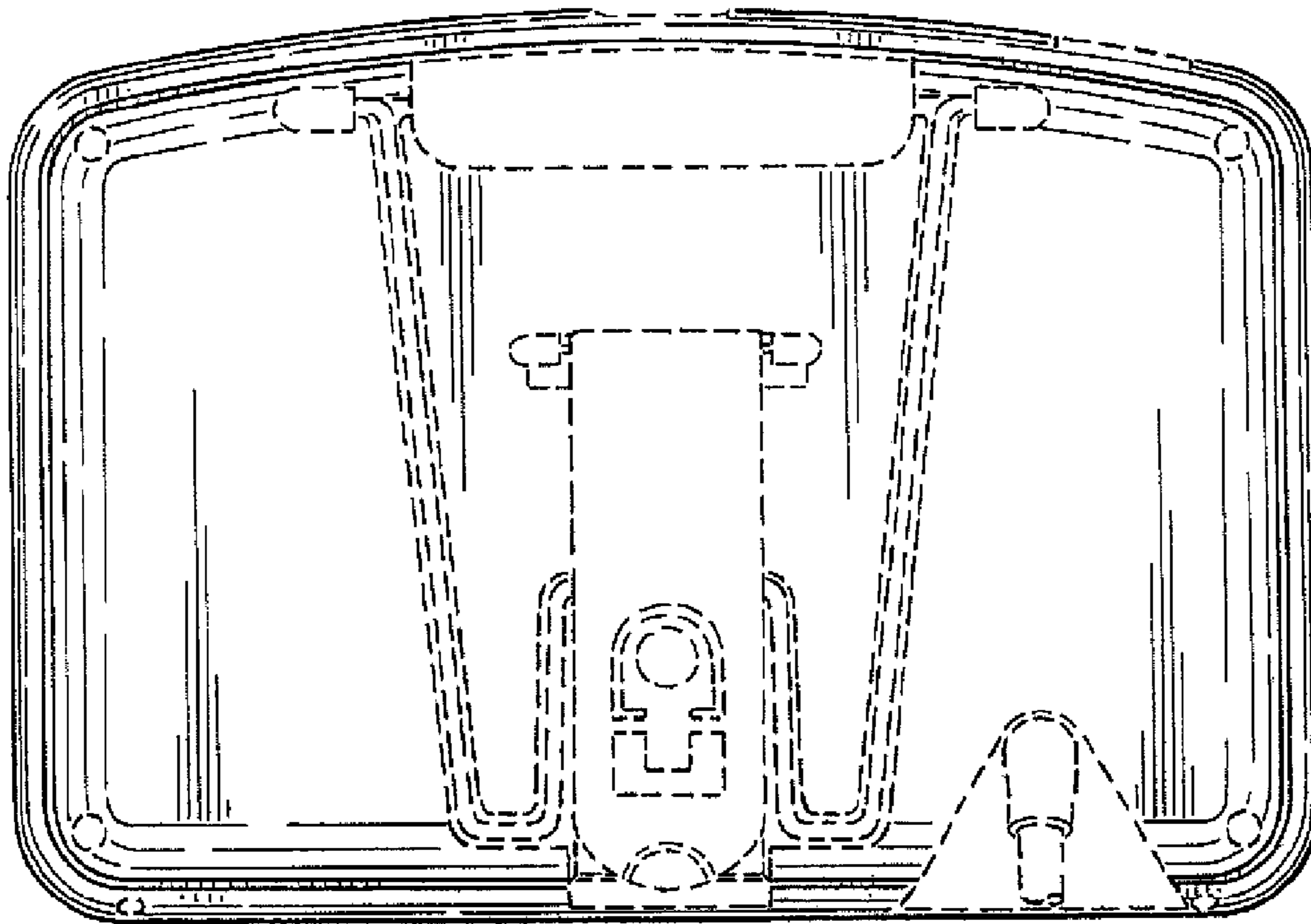


Fig. 4

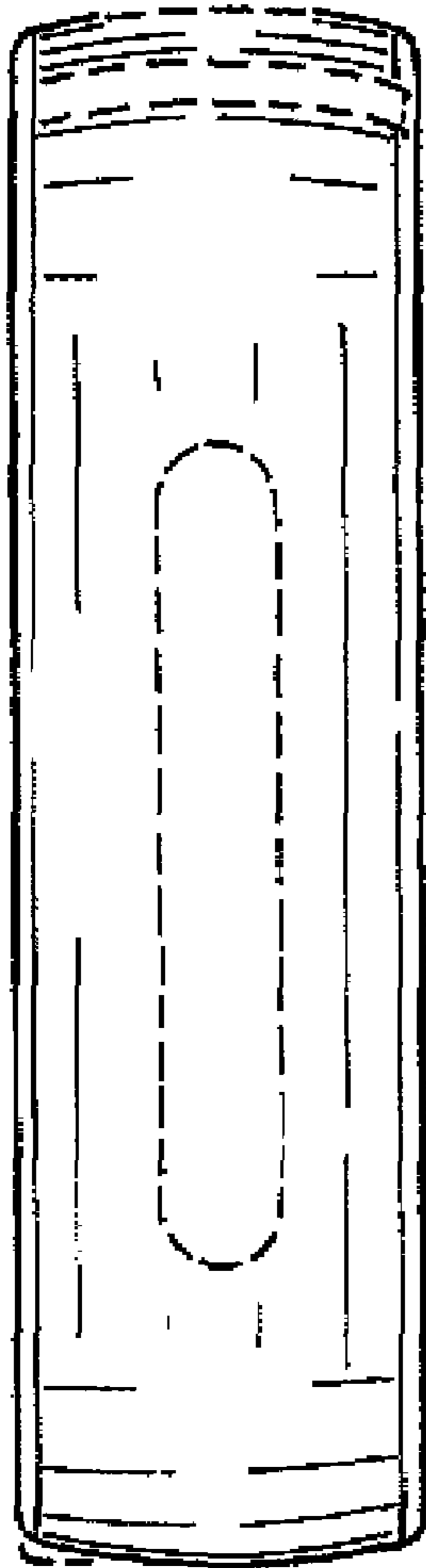


Fig. 5

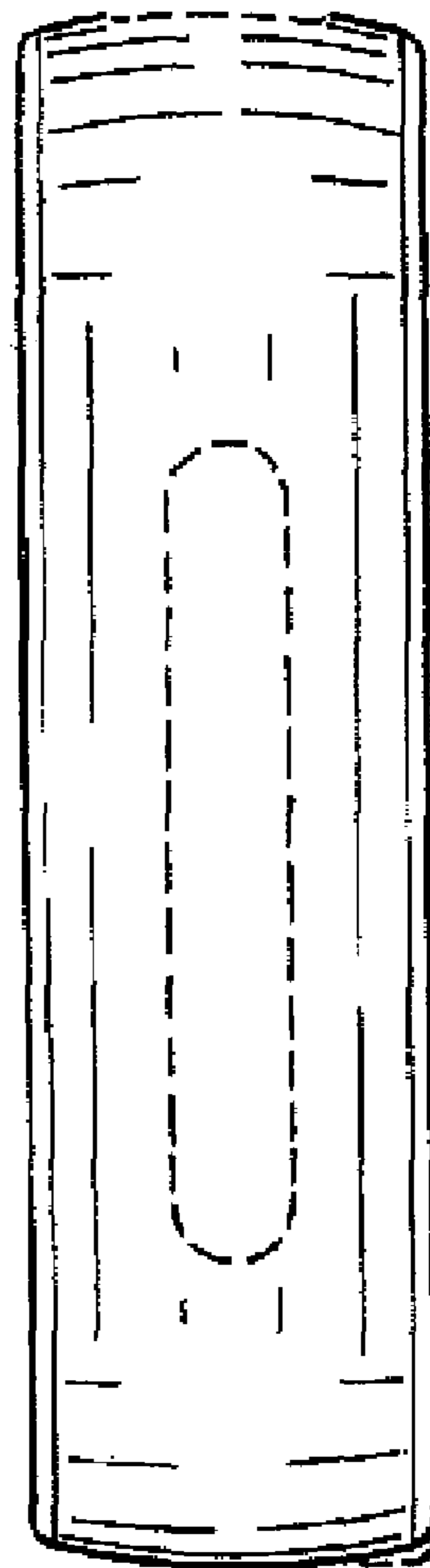


Fig. 6

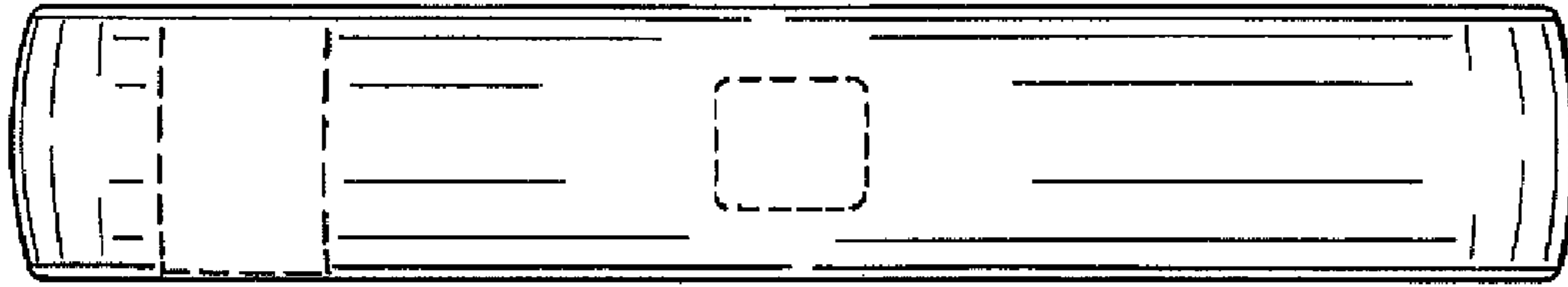


Fig. 7

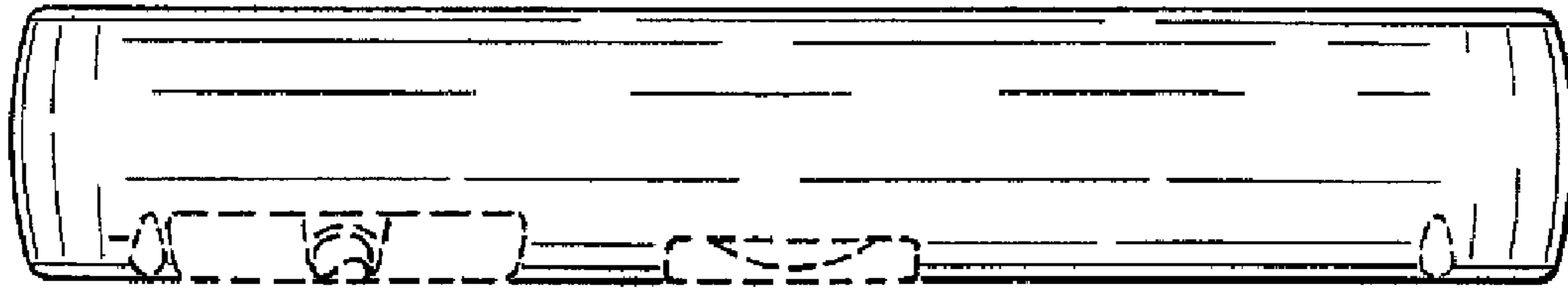


Fig. 8