



US00D598106S

(12) **United States Design Patent**
Goumas

(10) **Patent No.:** **US D598,106 S**

(45) **Date of Patent:** **** Aug. 11, 2009**

(54) **CONVERTIBLE SUPPORT SYSTEM FOR SHOULDER SURGERY PATIENTS**

(75) Inventor: **Douglas Goumas**, Bedford, NH (US)

(73) Assignee: **G Force Braces, LLC**, Bedford, NH (US)

(**) Term: **14 Years**

(21) Appl. No.: **29/312,776**

(22) Filed: **Nov. 12, 2008**

(51) **LOC (9) Cl.** **24-02**

(52) **U.S. Cl.** **D24/184**

(58) **Field of Classification Search** D24/178,
D24/183-184, 188, 190, 200; 128/845, 846;
D6/595, 601; 602/20

See application file for complete search history.

(56) **References Cited**

U.S. PATENT DOCUMENTS

D247,311 S	2/1978	Carter	
4,173,048 A	11/1979	Varaney	
4,270,235 A	6/1981	Gutmann	
4,375,809 A	3/1983	Meals	
D287,641 S *	1/1987	Schaefer D24/190
4,896,660 A *	1/1990	Scott 602/20
D321,562 S *	11/1991	Ljungvall D24/183
D396,291 S *	7/1998	Bakes D24/190
D413,982 S *	9/1999	Swedberg et al. D24/183
D415,281 S *	10/1999	Swedberg et al. D24/190
D422,362 S *	4/2000	Ames D24/183
6,047,420 A	4/2000	Priester, III et al.	
D426,307 S *	6/2000	Swedberg et al. D24/183
D447,568 S *	9/2001	Hall et al. D24/183
D475,757 S *	6/2003	Silverman et al. D24/188
6,691,353 B2	2/2004	Fuhriman	

* cited by examiner

Primary Examiner—T. Chase Nelson

Assistant Examiner—Mark Cavanna

(74) *Attorney, Agent, or Firm*—Lipsitz & McAllister, LLC

(57) **CLAIM**

The ornamental design for a convertible support system for shoulder surgery patients, as shown and described.

DESCRIPTION

FIG. 1 is a perspective view showing the components of the design, including an arm support component on the right side of the Figure and a side bolster component on the left side of the Figure, the broken lines indicating a possible environment only and forming no part of the claimed design;

FIG. 2 is a front, top, and right side perspective view of the components of the design;

FIG. 3 is a top plan view of the arm support component of the design;

FIG. 4 is a right side elevational view of the arm support component of the design;

FIG. 5 is a front elevational view of the arm support component of the design;

FIG. 6 is a rear elevational view of the arm support component of the design;

FIG. 7 is a left side elevational view of the arm support component of the design;

FIG. 8 is a bottom plan view of the arm support component of the design;

FIG. 9 is a top plan view of the side bolster component of the design;

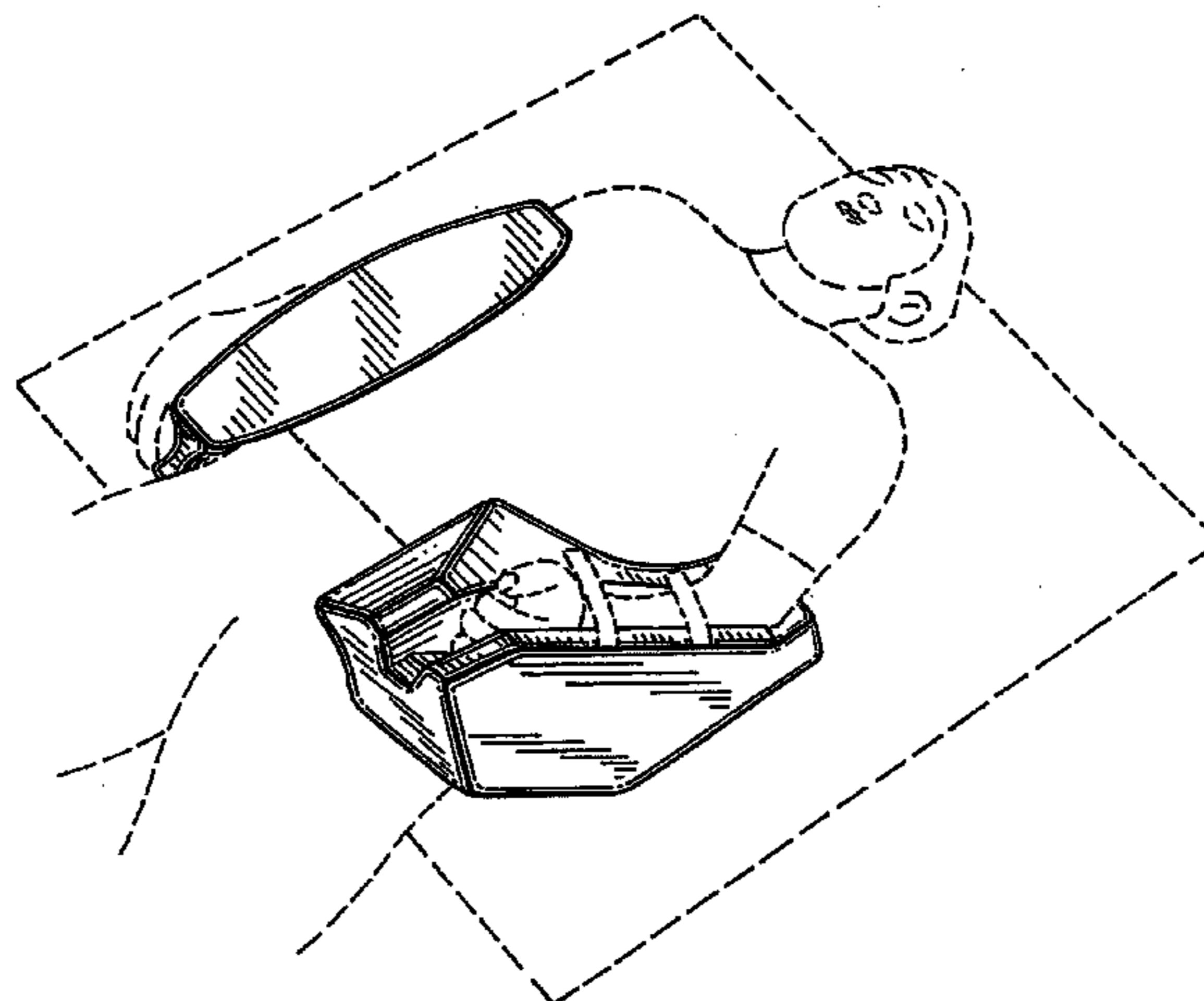
FIG. 10 is a right side elevational view of the side bolster component of the design, the left side elevational view being a mirror image thereof;

FIG. 11 is a front elevational view of the side bolster component of the design, the rear elevational view being a mirror image thereof;

FIG. 12 is a bottom plan view of the side bolster component of the design; and,

FIG. 13 is a front, top, and right side perspective view showing the arm support component of the design, the broken lines indicating a possible environment only and forming no part of the claimed design.

1 Claim, 7 Drawing Sheets



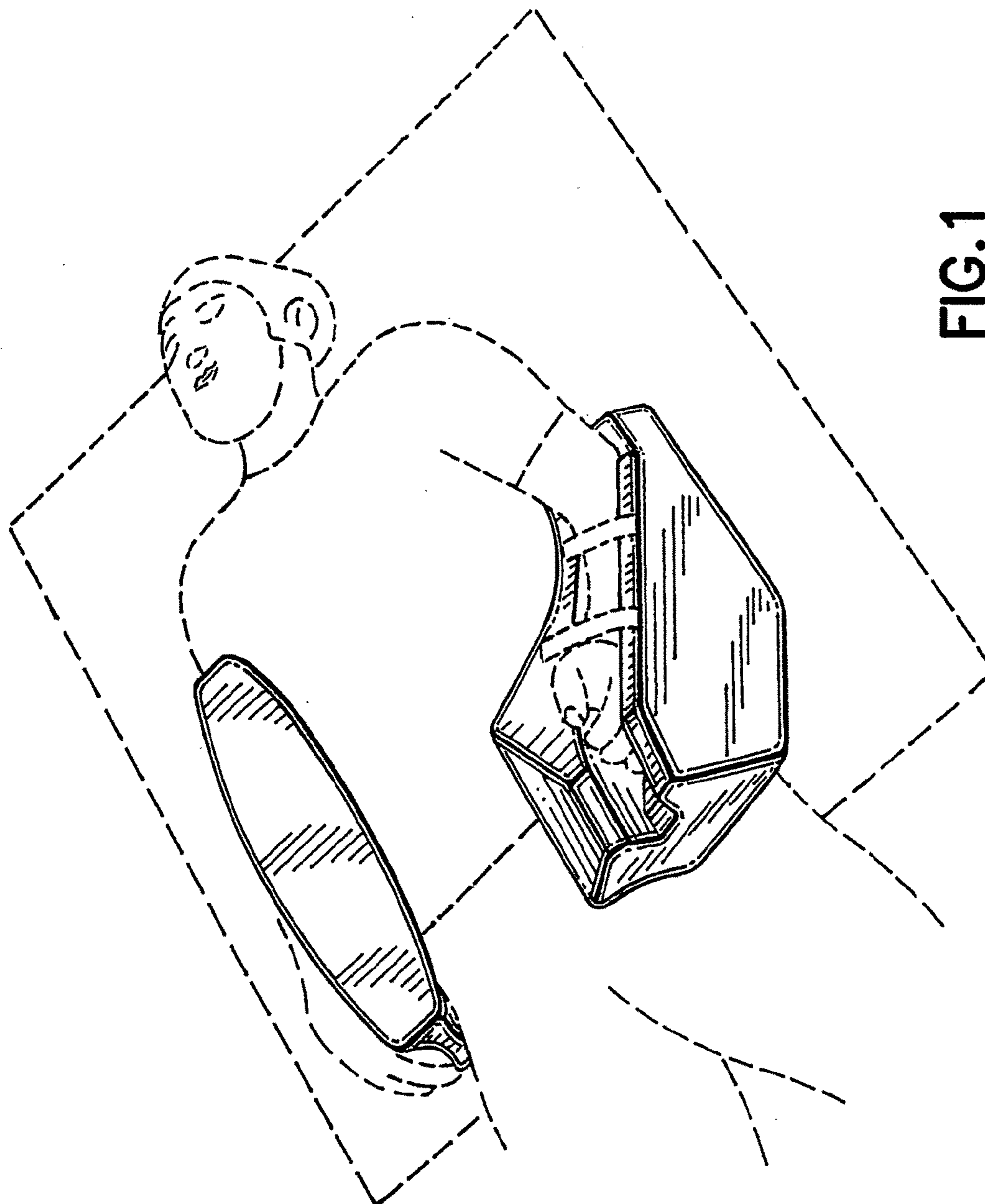


FIG.1

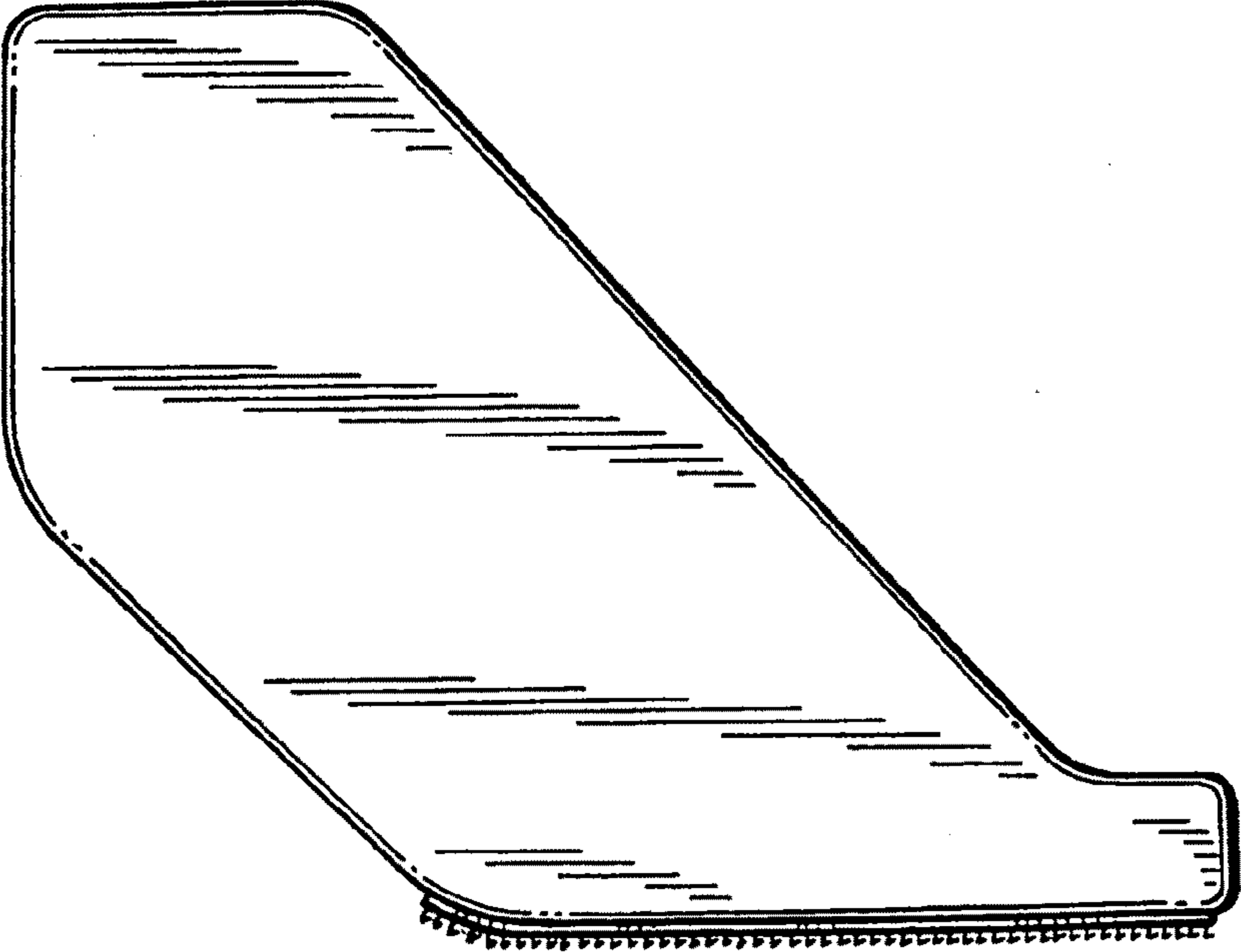
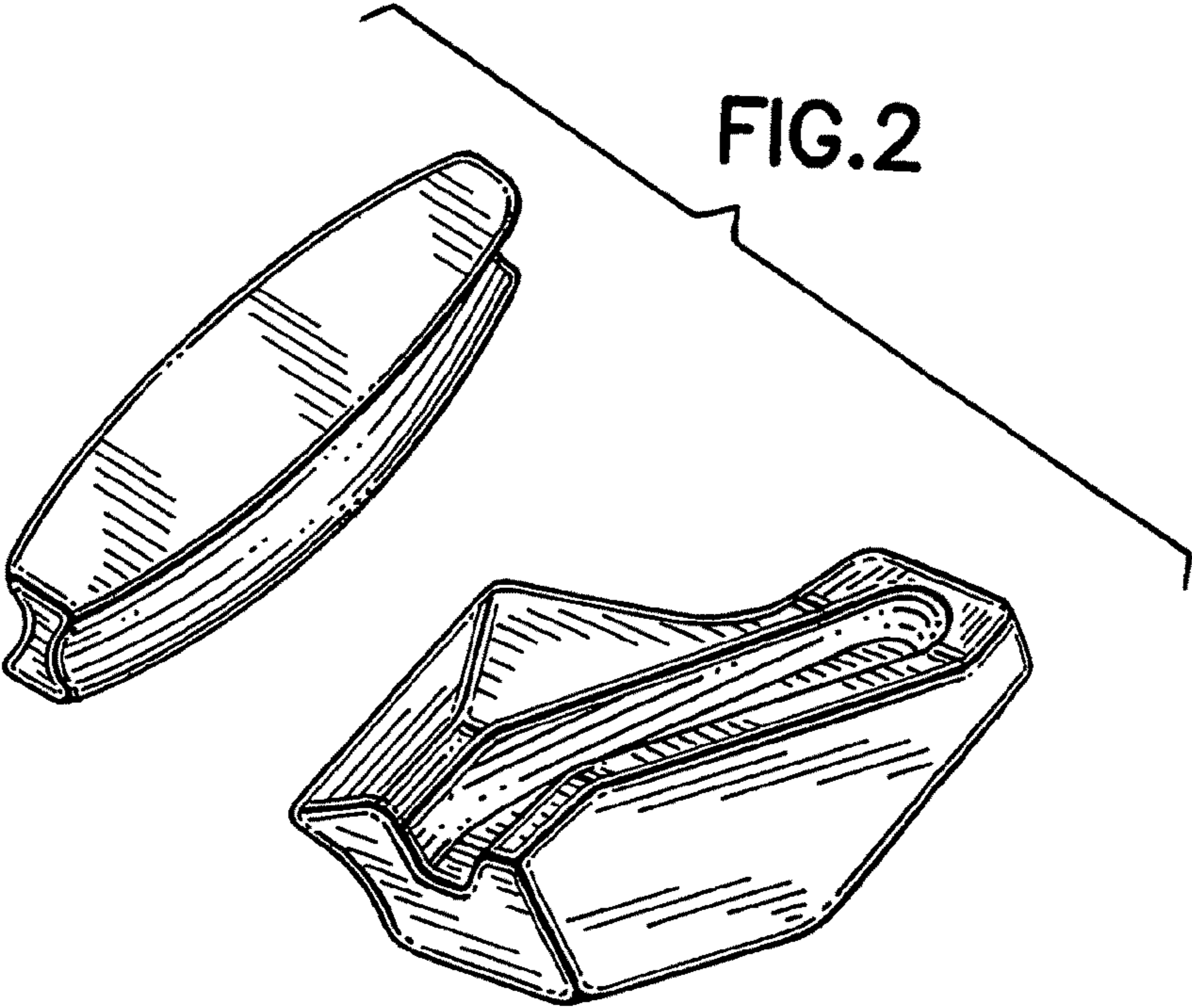


FIG. 4

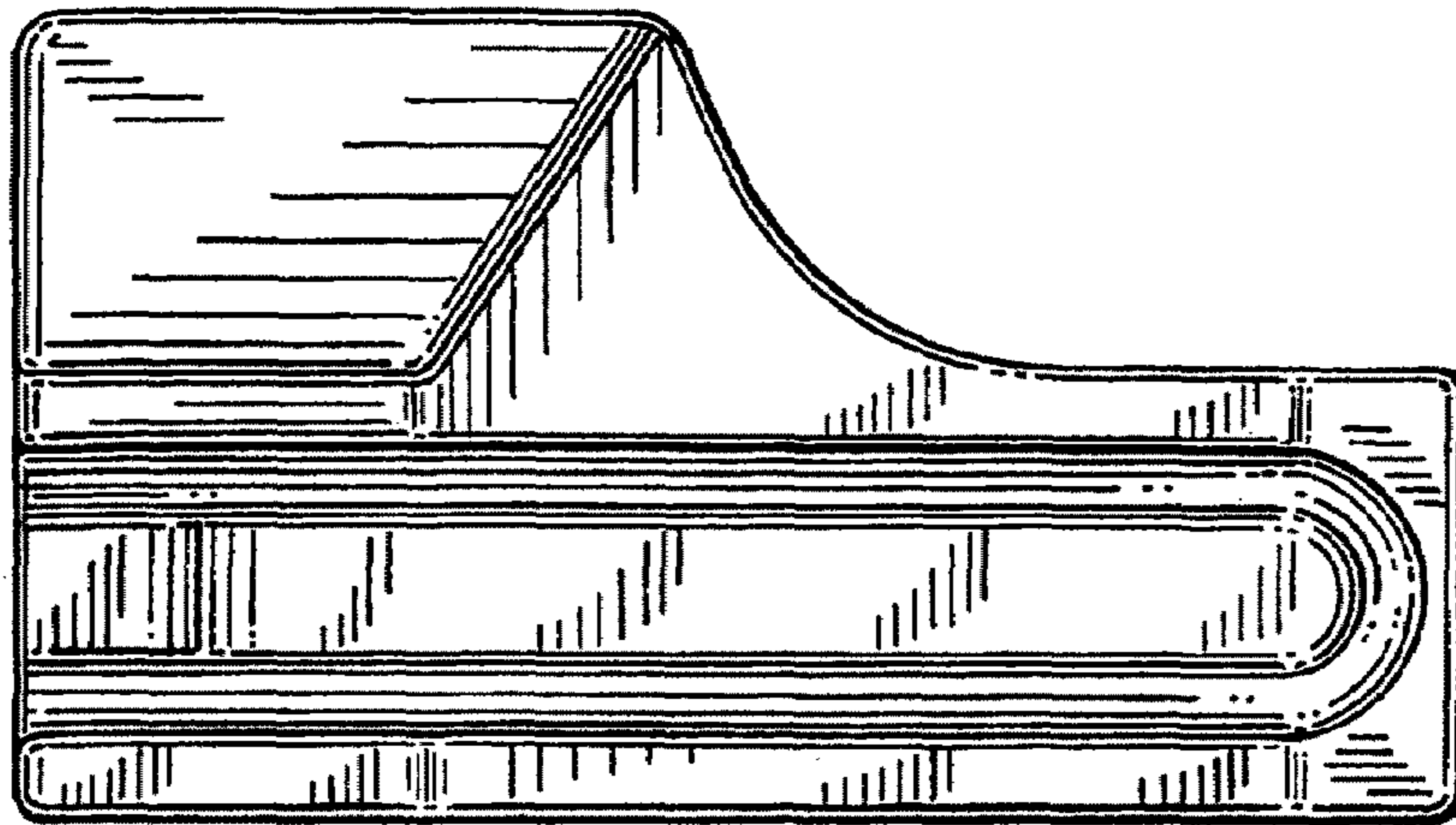


FIG. 3

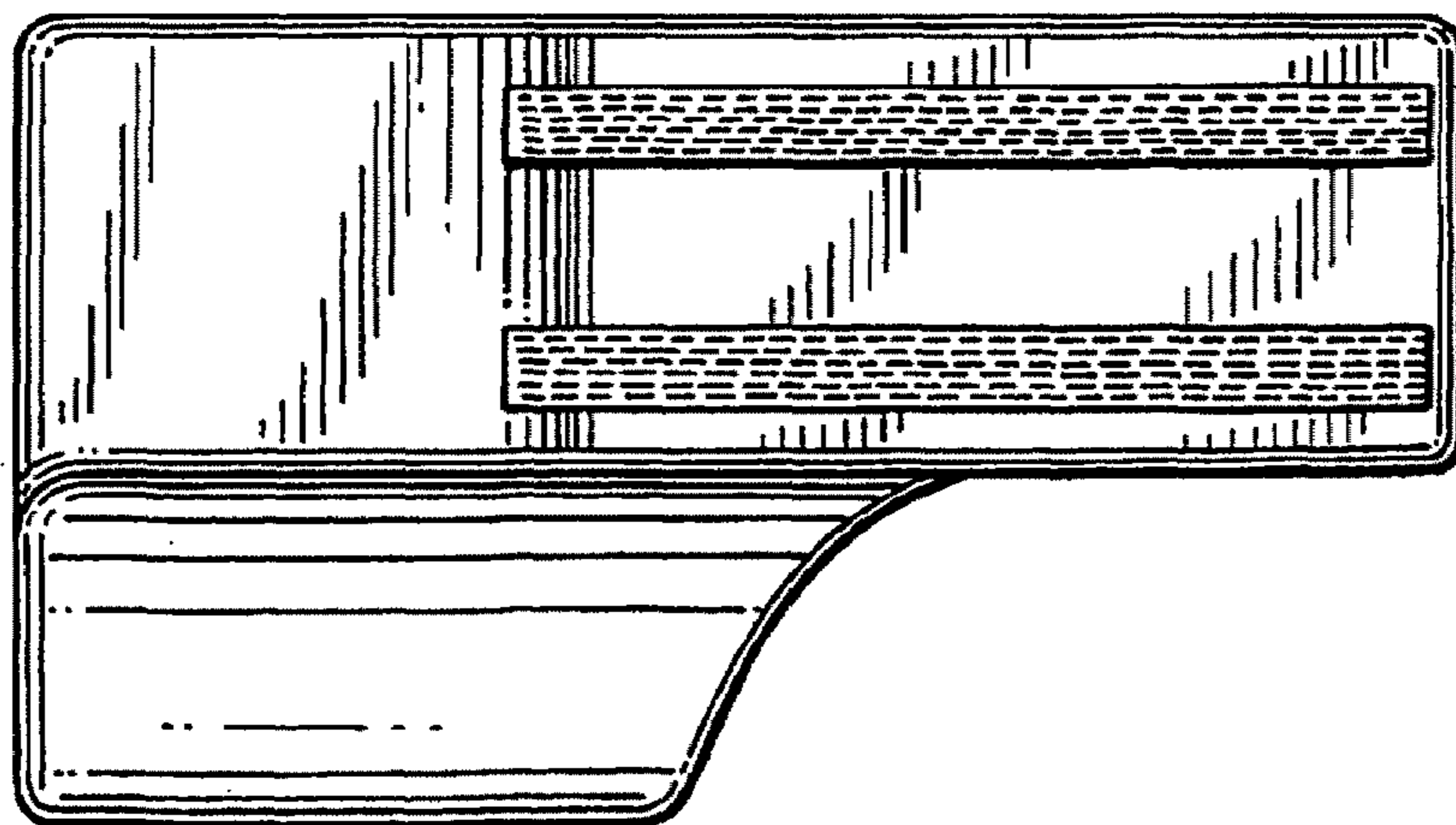


FIG. 8

FIG.5

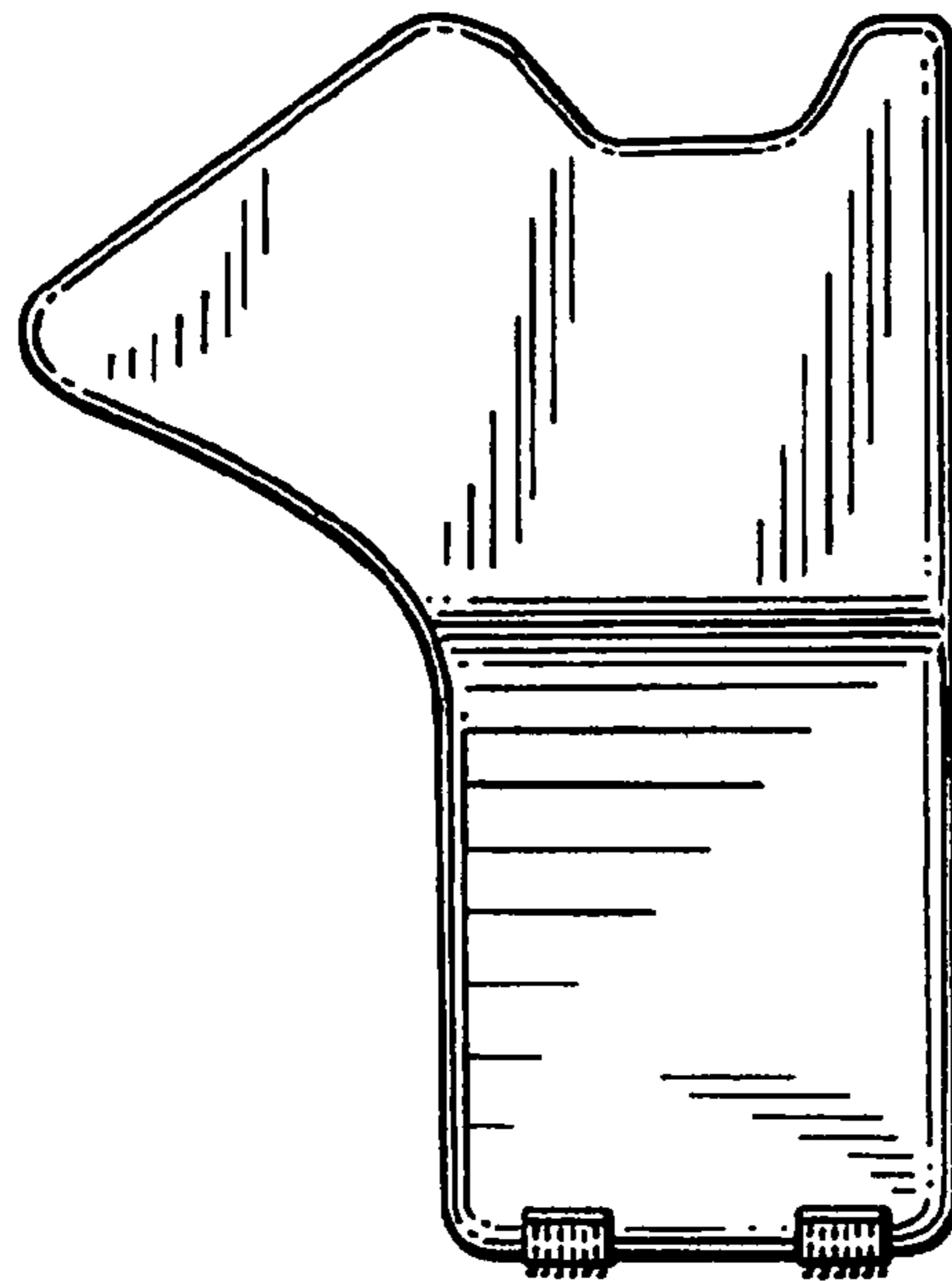


FIG.6

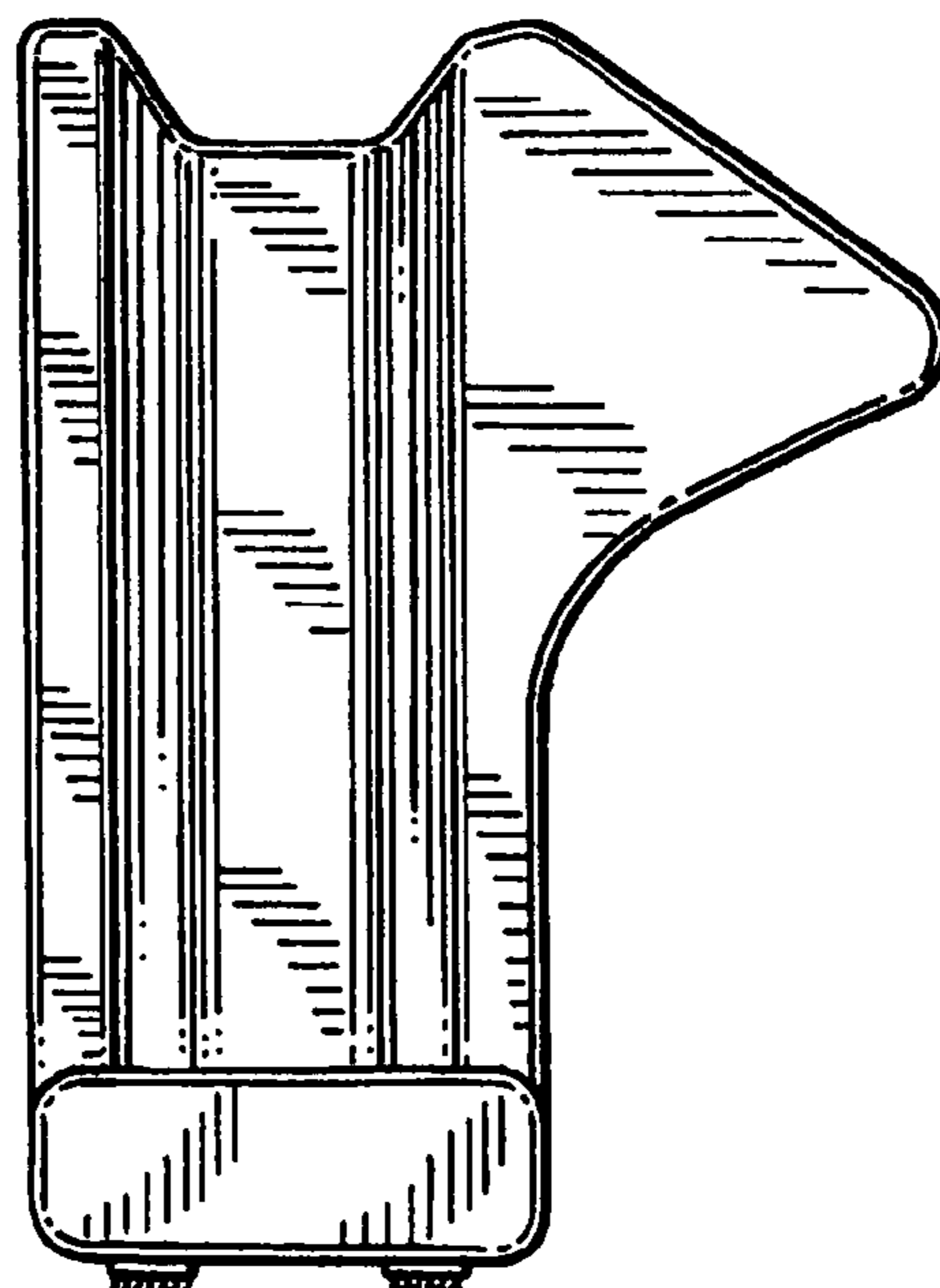
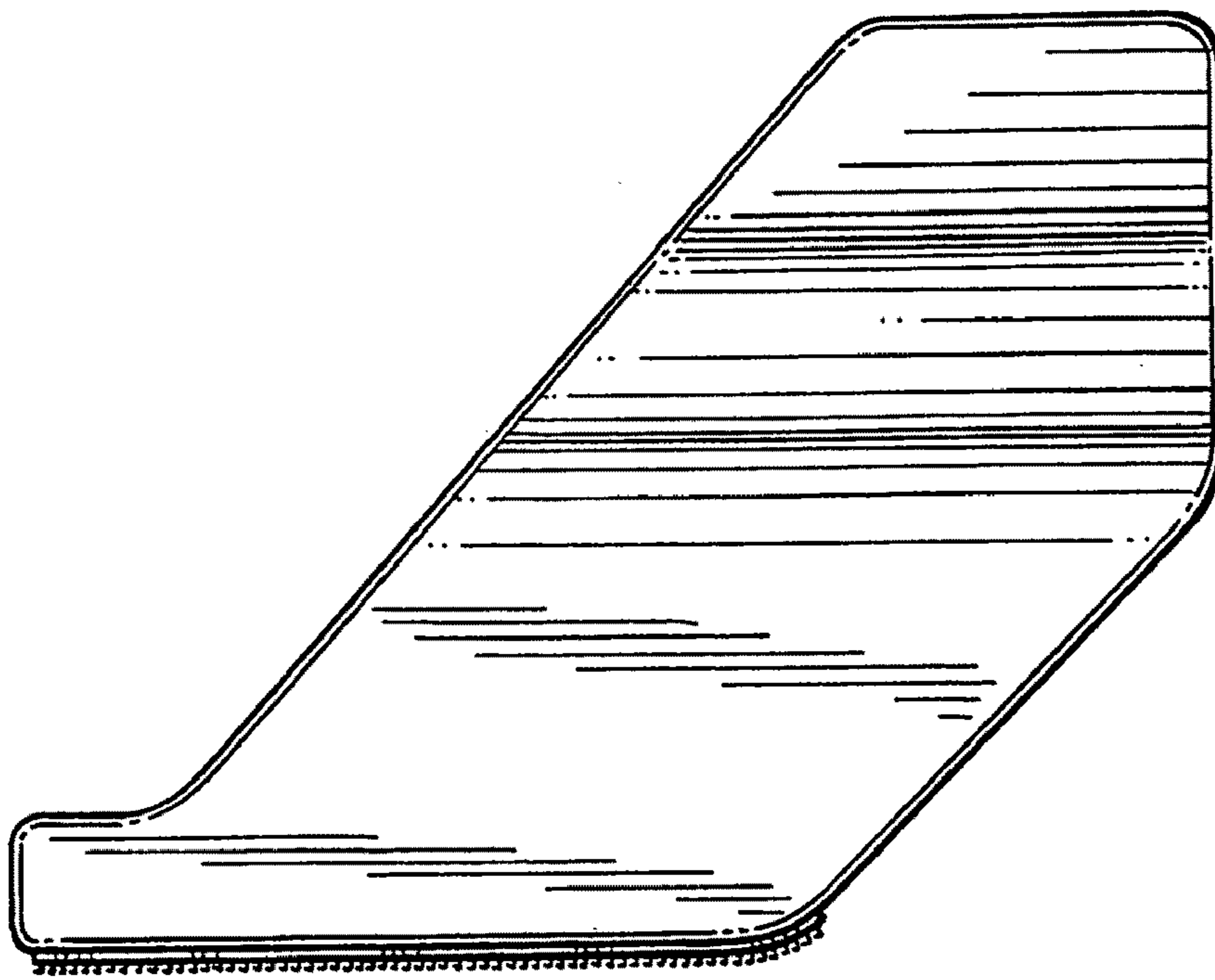


FIG. 7



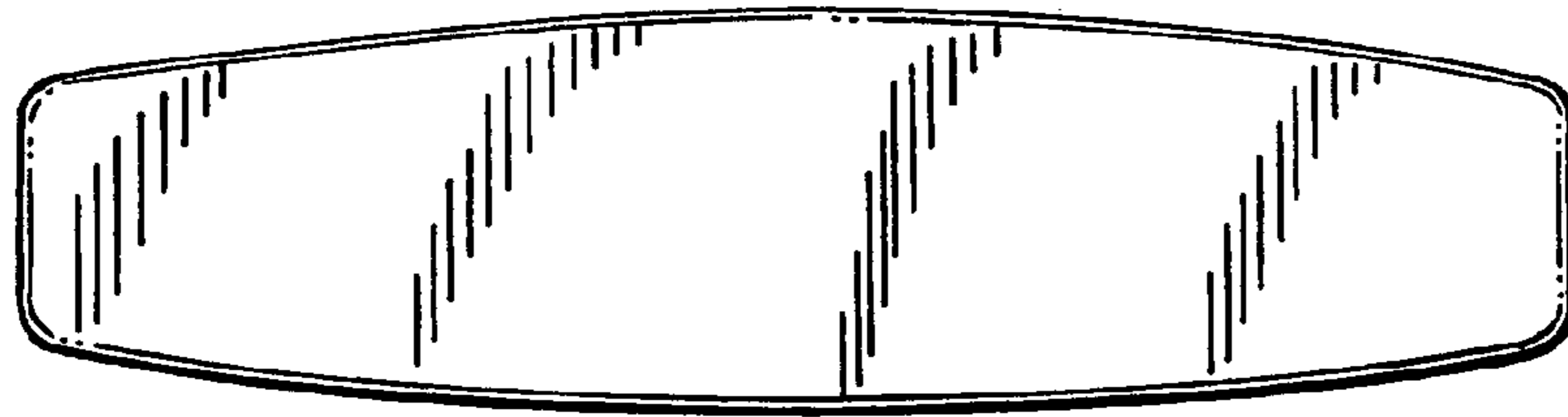


FIG. 9

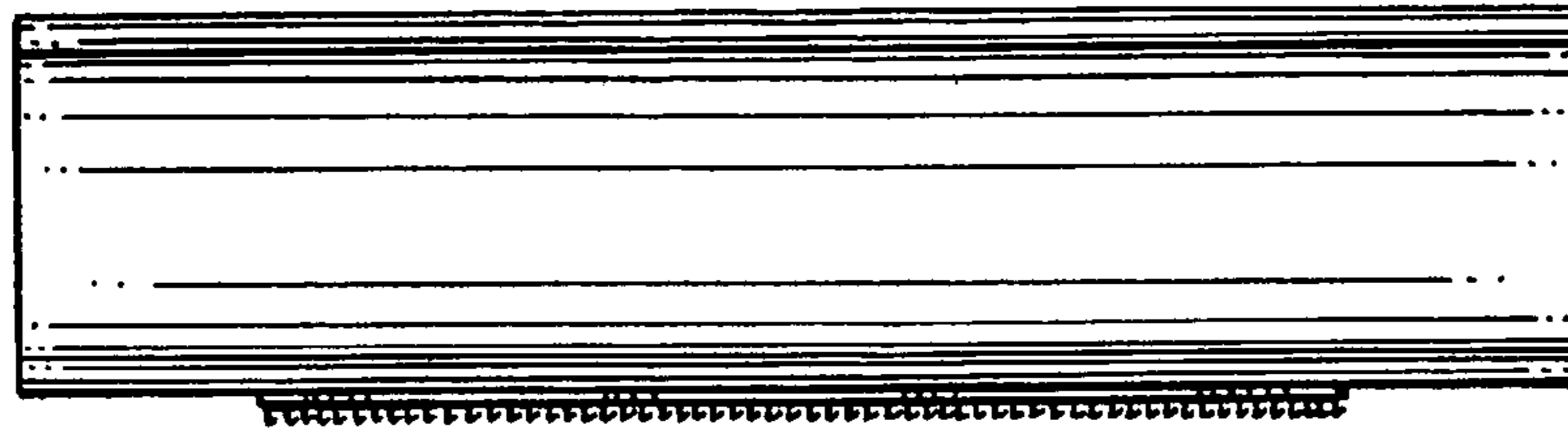


FIG. 10

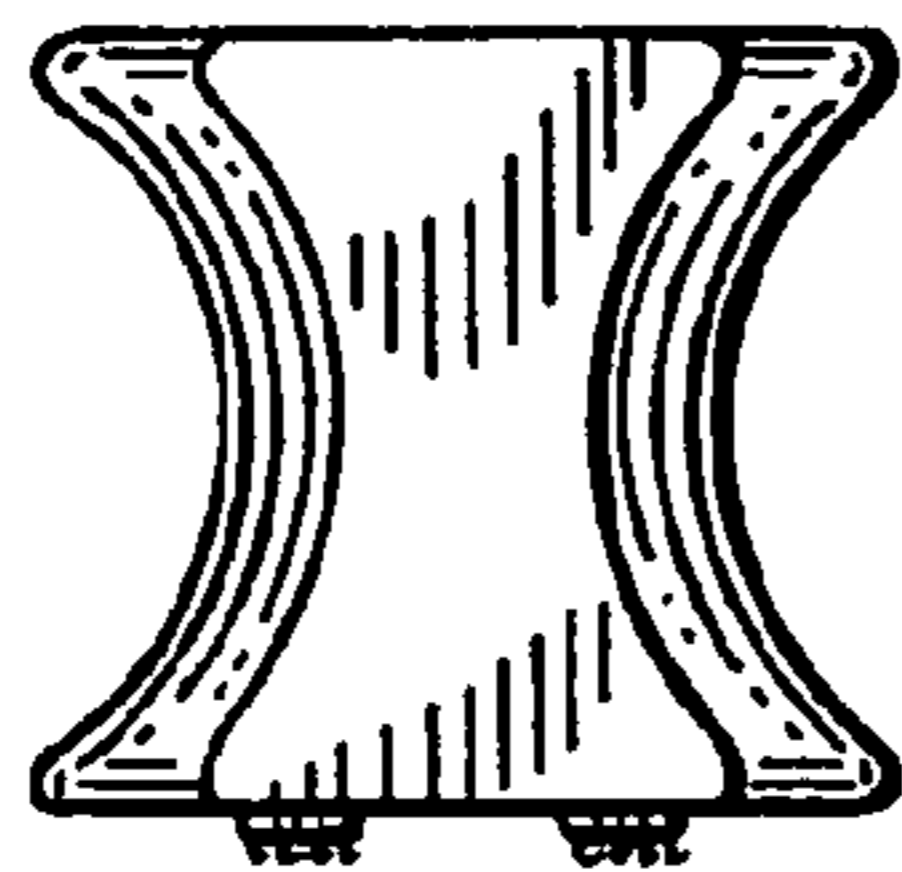


FIG. 11

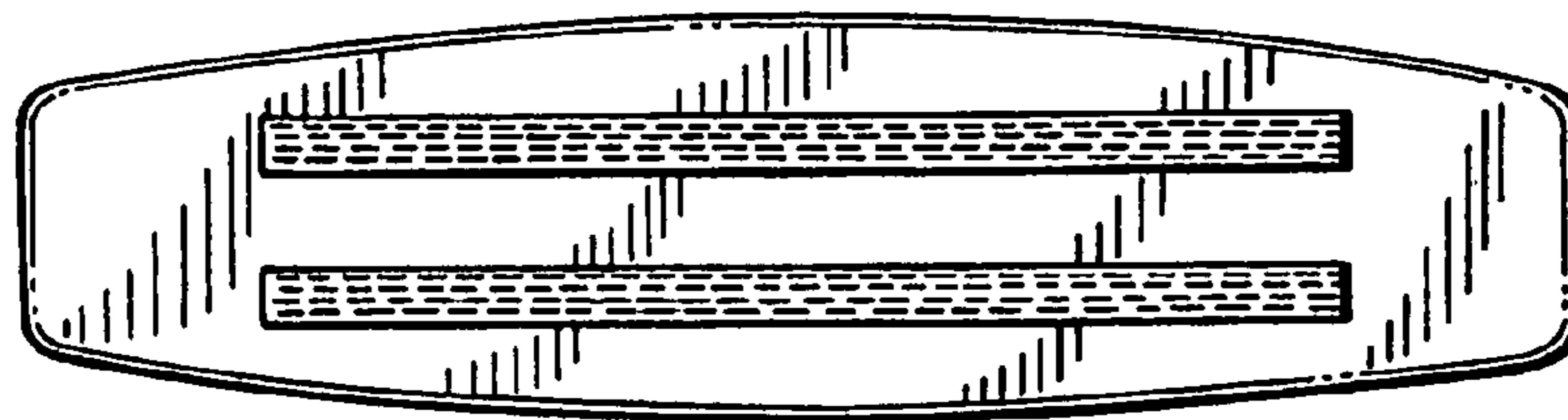


FIG. 12

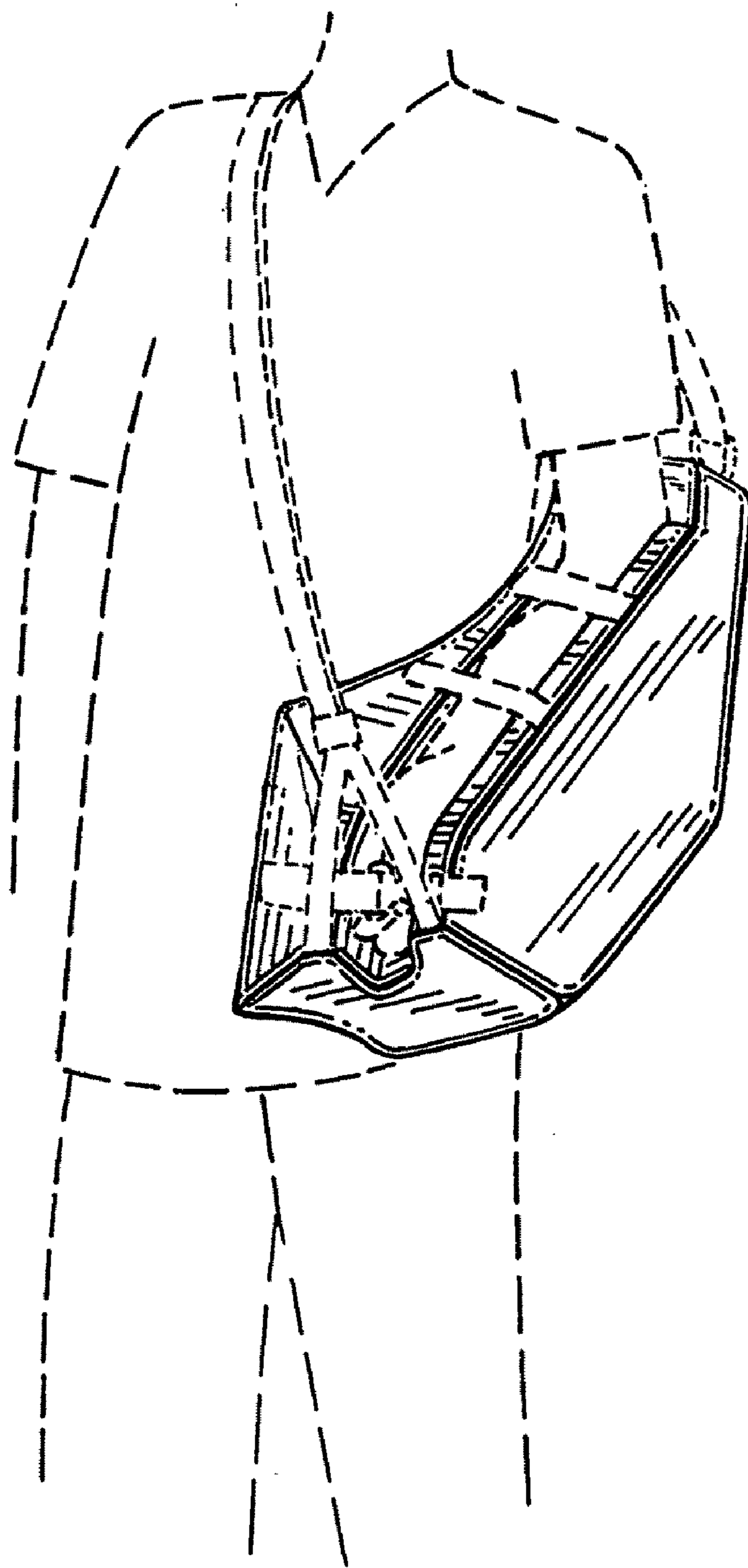


FIG. 13