

US00D598105S

(12) **United States Design Patent**  
**Krishna et al.**

(10) **Patent No.:** **US D598,105 S**

(45) **Date of Patent:** **\*\* Aug. 11, 2009**

(54) **CONVEX INTERVERTEBRAL DISC PROSTHESIS**

(75) Inventors: **Manoj Krishna**, Yarm (GB); **Tai FrieSEM**, Ingleby Barwick (GB)

(73) Assignee: **Disc Motion Technologies, Inc.**, Boca Raton, FL (US)

(\*\*) Term: **14 Years**

(21) Appl. No.: **29/326,493**

(22) Filed: **Oct. 20, 2008**

**Related U.S. Application Data**

(63) Continuation-in-part of application No. 11/397,756, filed on Apr. 4, 2006, which is a continuation-in-part of application No. 11/203,259, filed on Aug. 12, 2005, which is a continuation-in-part of application No. 10/970,091, filed on Oct. 21, 2004.

(51) **LOC (9) Cl.** ..... **24-02**

(52) **U.S. Cl.** ..... **D24/155**

(58) **Field of Classification Search** ..... D24/155-157; 606/60, 61, 73, 95, 213, 246, 248, 249; 623/17.11, 623/17.12, 17.13, 17.14, 17.15, 17.16, 23.61, 623/23.56; D15/143, 139  
See application file for complete search history.

(56) **References Cited**

**U.S. PATENT DOCUMENTS**

4,863,477	A *	9/1989	Monson	.....	623/17.12
5,071,437	A *	12/1991	Steffee	.....	623/17.16
5,258,031	A	11/1993	Salib et al.		
5,306,308	A *	4/1994	Gross et al.	.....	623/17.16
5,314,477	A	5/1994	Marnay		
5,401,269	A	3/1995	Buttner-Janz et al.		
5,425,773	A	6/1995	Boyd et al.		
5,507,816	A	4/1996	Bullivant		
5,514,180	A *	5/1996	Heggeness et al.	.....	623/17.16

5,534,028	A *	7/1996	Bao et al.	.....	623/17.16
5,545,229	A *	8/1996	Parsons et al.	.....	623/17.15
5,556,431	A	9/1996	Buttner-Janz		
5,562,738	A	10/1996	Boyd et al.		
5,676,701	A	10/1997	Yuan et al.		

(Continued)

*Primary Examiner*—Charles A Rademaker

(74) *Attorney, Agent, or Firm*—Christopher & Weisberg, P.A.

(57) **CLAIM**

The ornamental design for a convex intervertebral disc prosthesis, as shown and described.

**DESCRIPTION**

FIG. 1 is a perspective view of a convex intervertebral disc prosthesis showing our new design;

FIG. 2 is a top plan view thereof;

FIG. 3 is a bottom plan view thereof;

FIG. 4 is a side elevation thereof;

FIG. 5 is a side elevation of the side opposite that shown in FIG. 4;

FIG. 6 is an end elevation thereof;

FIG. 7 is an end elevation of the end opposite that shown in FIG. 6;

FIG. 8 is a perspective view of a modified embodiment of the design shown in FIGS. 1 through 7;

FIG. 9 is a top plan view thereof;

FIG. 10 is a bottom plan view thereof;

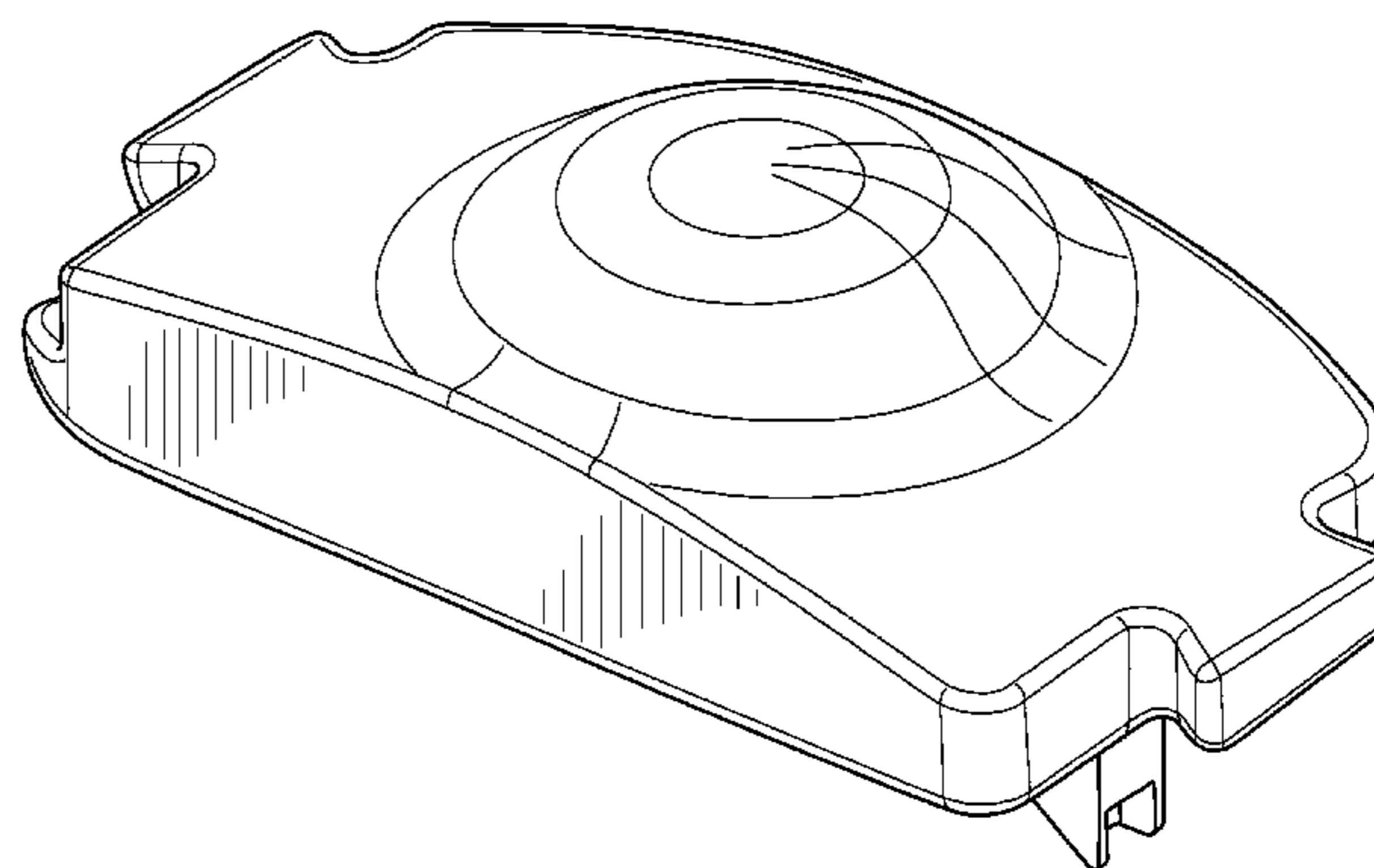
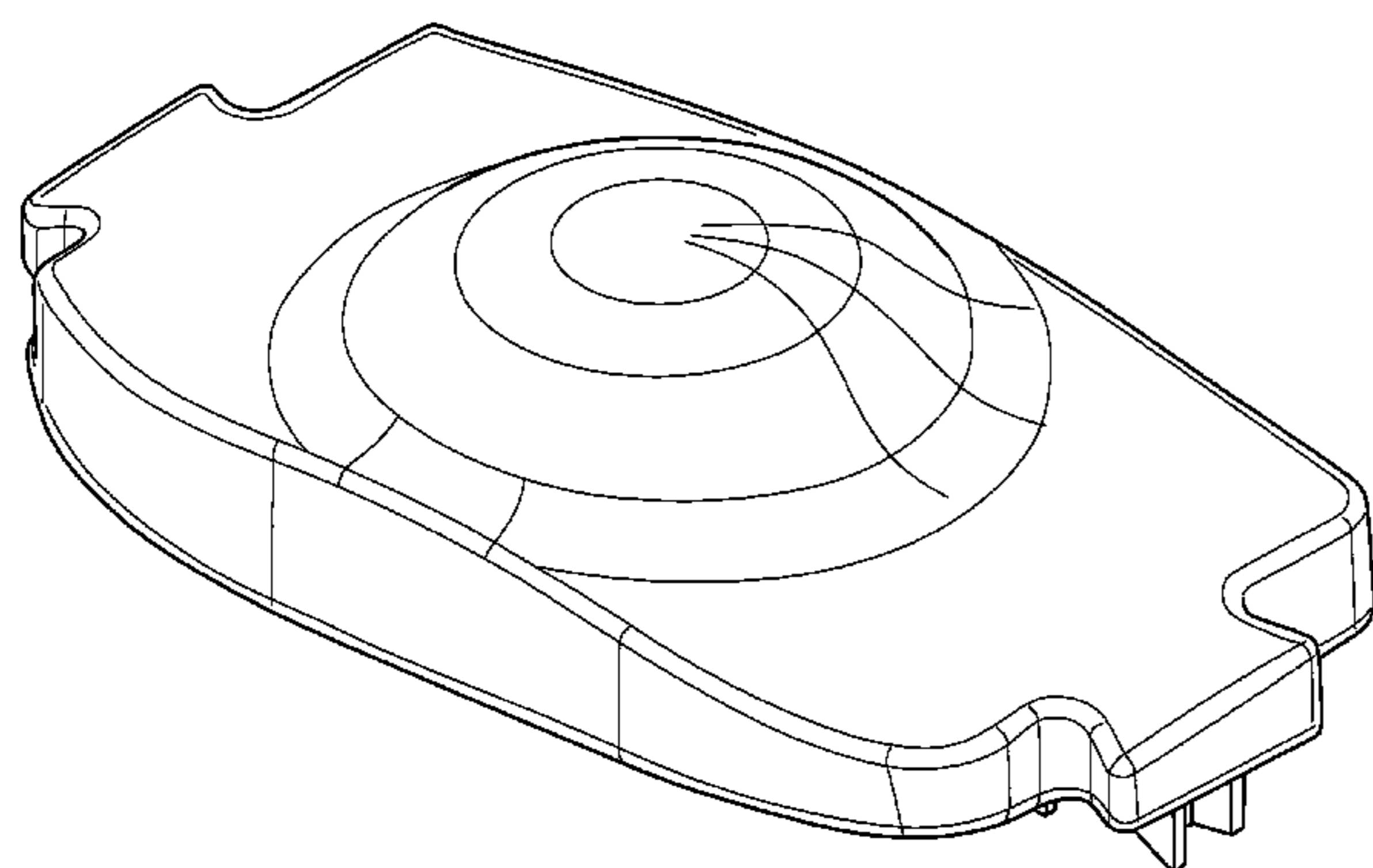
FIG. 11 is a side elevation thereof;

FIG. 12 is a side elevation of the side opposite that shown in FIG. 11;

FIG. 13 is an end elevation thereof; and,

FIG. 14 is an end elevation of the end opposite that shown in FIG. 13.

**1 Claim, 8 Drawing Sheets**



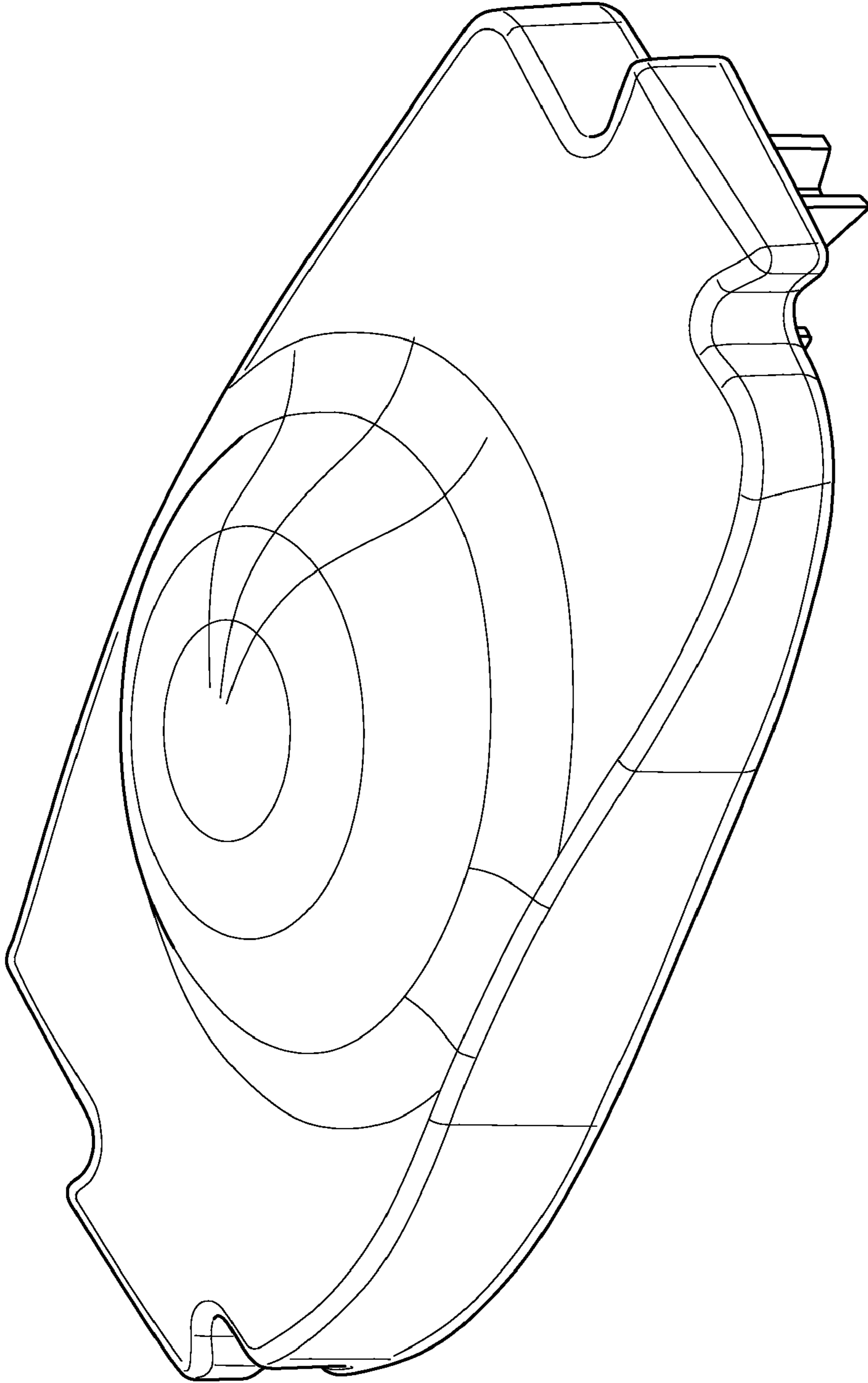
# US D598,105 S

Page 2

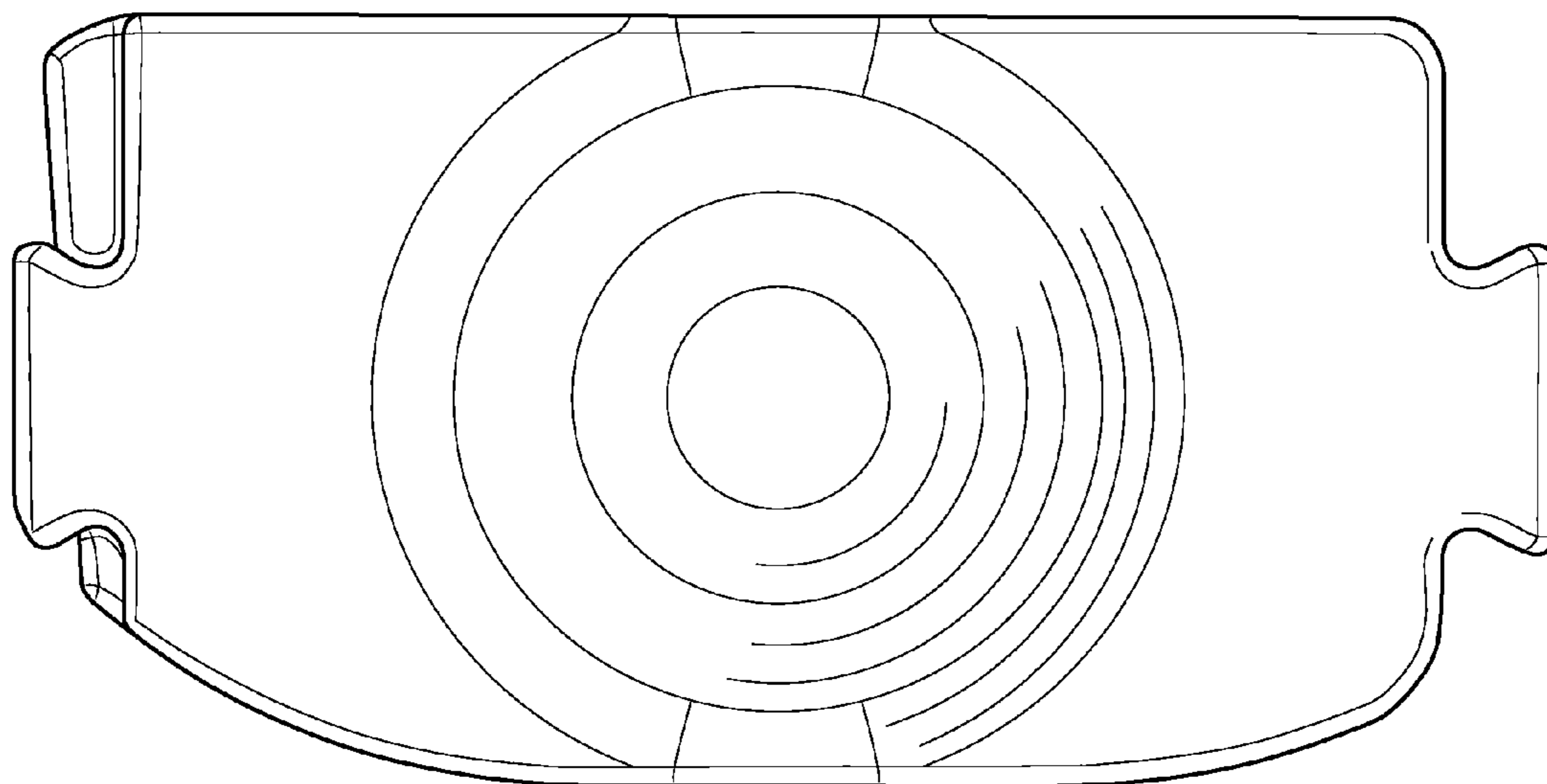
## U.S. PATENT DOCUMENTS

5,824,094	A *	10/1998	Serhan et al. ....	623/17.16	D497,993	S *	11/2004	Dixon et al. ....	D24/155
5,888,223	A *	3/1999	Bray, Jr. ....	623/17.16	D501,555	S *	2/2005	Varga et al. ....	D24/155
5,899,941	A	5/1999	Nishijima et al.		6,936,071	B1	8/2005	Marnay et al.	
D420,373	S *	2/2000	Bonitz .....	D15/143	6,972,037	B2	12/2005	Zubok et al.	
6,019,792	A	2/2000	Cauthen		6,986,789	B2	1/2006	Schultz et al.	
6,039,763	A	3/2000	Shelokov		6,994,727	B2	2/2006	Khandkar et al.	
6,063,121	A	5/2000	Xavier et al.		7,001,432	B2	2/2006	Keller et al.	
6,113,637	A	9/2000	Gill et al.		7,025,787	B2	4/2006	Bryan et al.	
6,228,118	B1	5/2001	Gordon		7,037,340	B2	5/2006	Gau	
6,277,149	B1 *	8/2001	Boyle et al. ....	623/17.16	7,048,764	B2	5/2006	Ferree	
D450,121	S *	11/2001	Anderson .....	D24/155	7,052,515	B2	5/2006	Simonson	
6,315,797	B1 *	11/2001	Middleton .....	623/17.16	7,083,649	B2	8/2006	Zucherman et al.	
6,368,350	B1	4/2002	Erickson et al.		7,204,852	B2	4/2007	Marnay et al.	
6,402,750	B1	6/2002	Atkinson et al.		7,270,681	B2	9/2007	Cauthen	
6,402,785	B1 *	6/2002	Zdeblick et al. ....	623/17.16	D566,842	S *	4/2008	Robie .....	D24/155
6,440,168	B1	8/2002	Cauthen		D585,553	S *	1/2009	Valois .....	D24/155
6,520,996	B1	2/2003	Manasas et al.		2004/0010316	A1	1/2004	William et al.	
6,527,804	B1	3/2003	Gauchet et al.		2004/0158254	A1	8/2004	Eisermann	
6,579,320	B1	6/2003	Gauchet et al.		2004/0176772	A1	9/2004	Zubok et al.	
6,679,915	B1	1/2004	Cauthen		2005/0043800	A1	2/2005	Paul et al.	
6,682,562	B2	1/2004	Viart et al.		2005/0154461	A1	7/2005	Humphreys et al.	
6,706,068	B2	3/2004	Ferree		2005/0154464	A1	7/2005	Humphreys et al.	
6,726,720	B2	4/2004	Ross et al.		2005/0154466	A1	7/2005	Humphreys et al.	
6,733,532	B1	5/2004	Gauchet et al.		2005/0154467	A1	7/2005	Peterman et al.	
D493,225	S *	7/2004	Varga et al. ....	D24/155	2005/0171610	A1	8/2005	Humphreys et al.	
D494,274	S *	8/2004	Varga et al. ....	D24/155	2007/0179616	A1	8/2007	Braddock, Jr. et al.	
6,770,095	B2	8/2004	Grinberg et al.		2007/0270862	A1	11/2007	Yu et al.	
6,802,867	B2	10/2004	Manasas et al.		2007/0293948	A1 *	12/2007	Bagga et al. ....	623/17.11

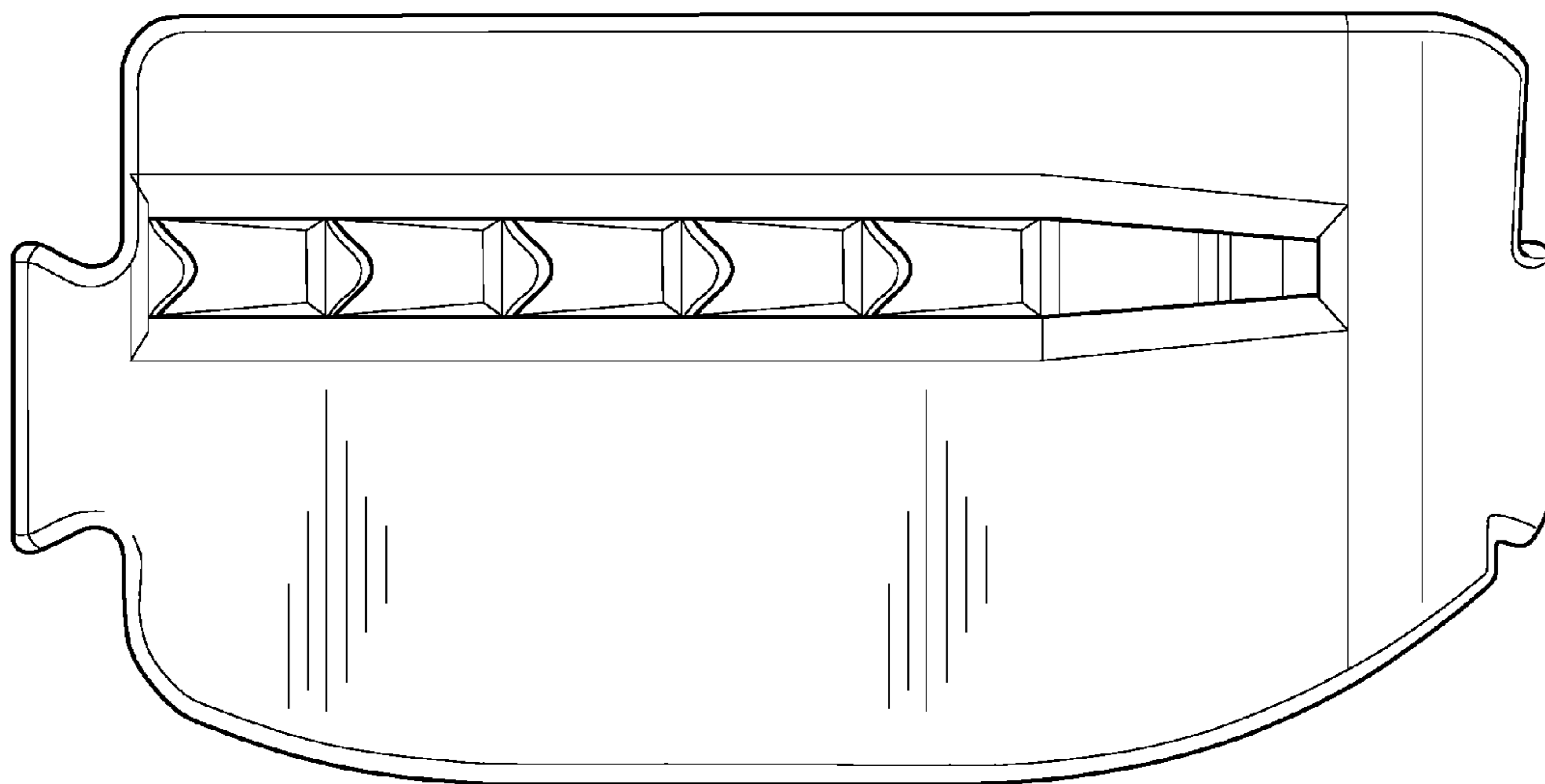
\* cited by examiner



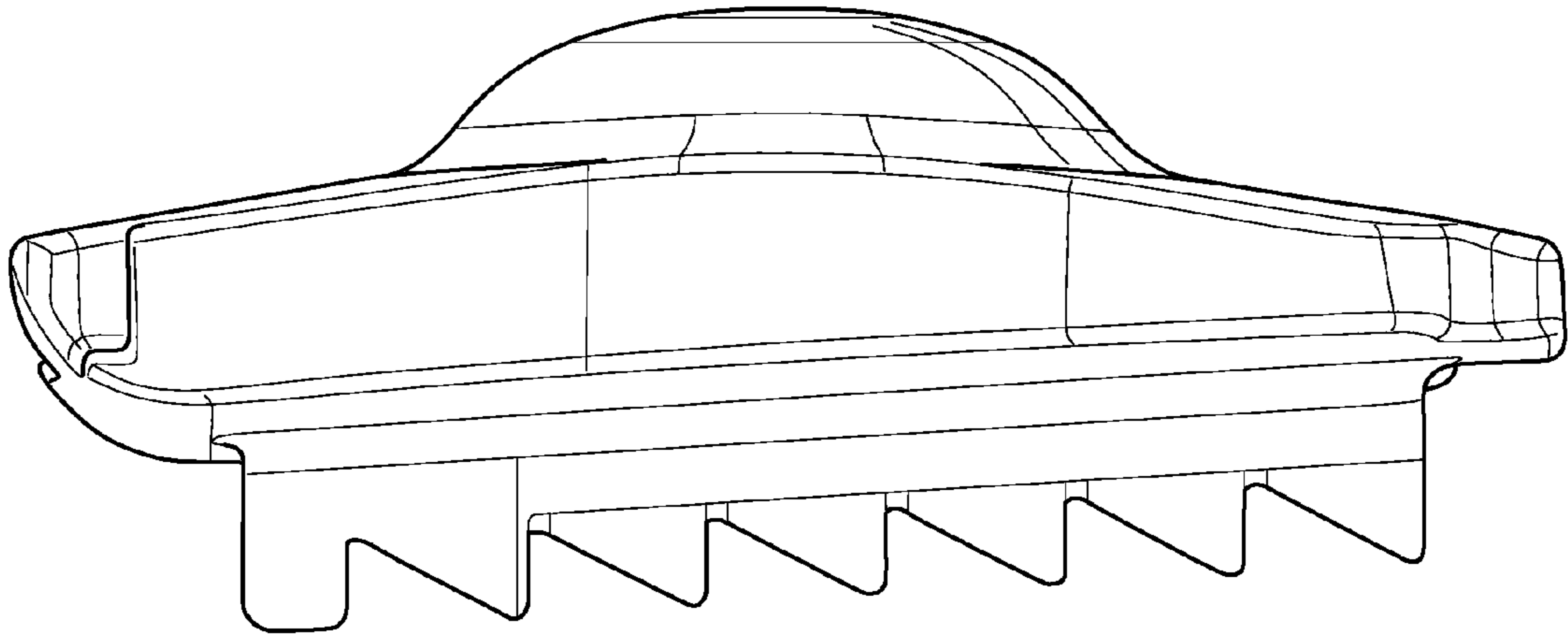
**FIG. 1**



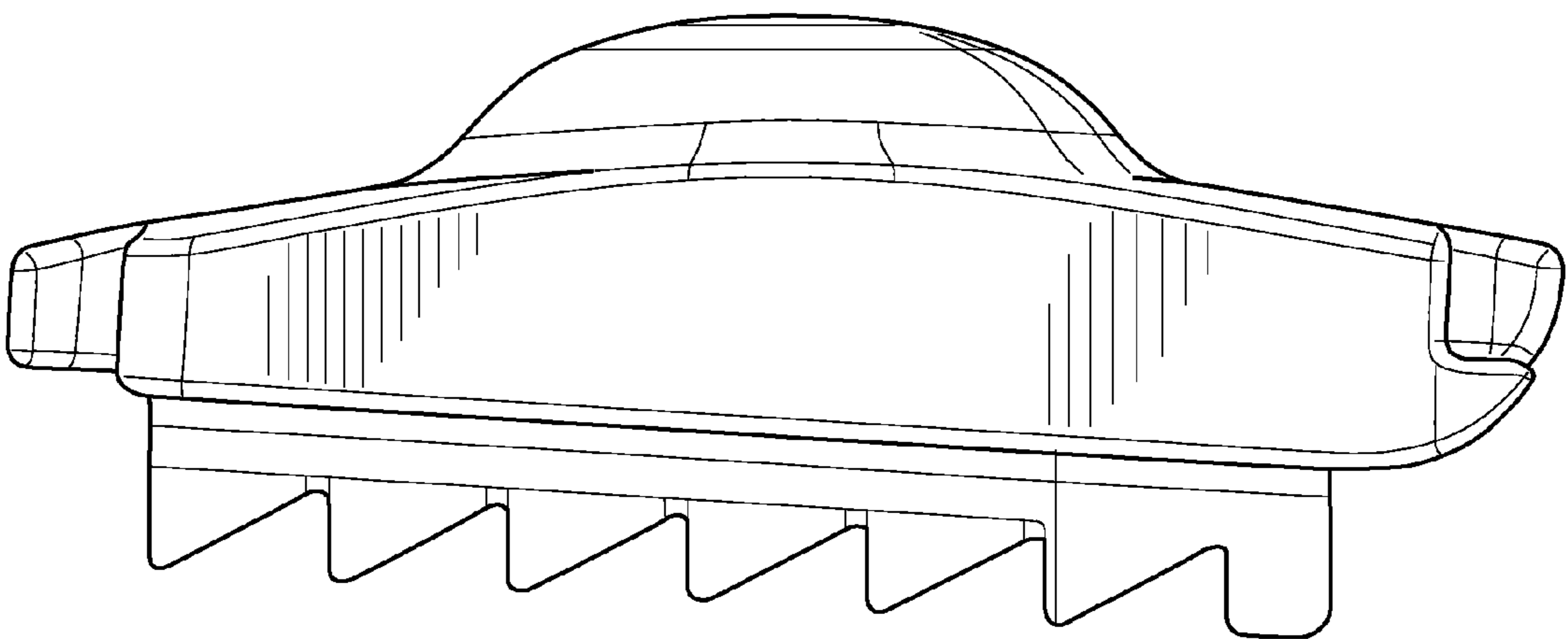
**FIG. 2**



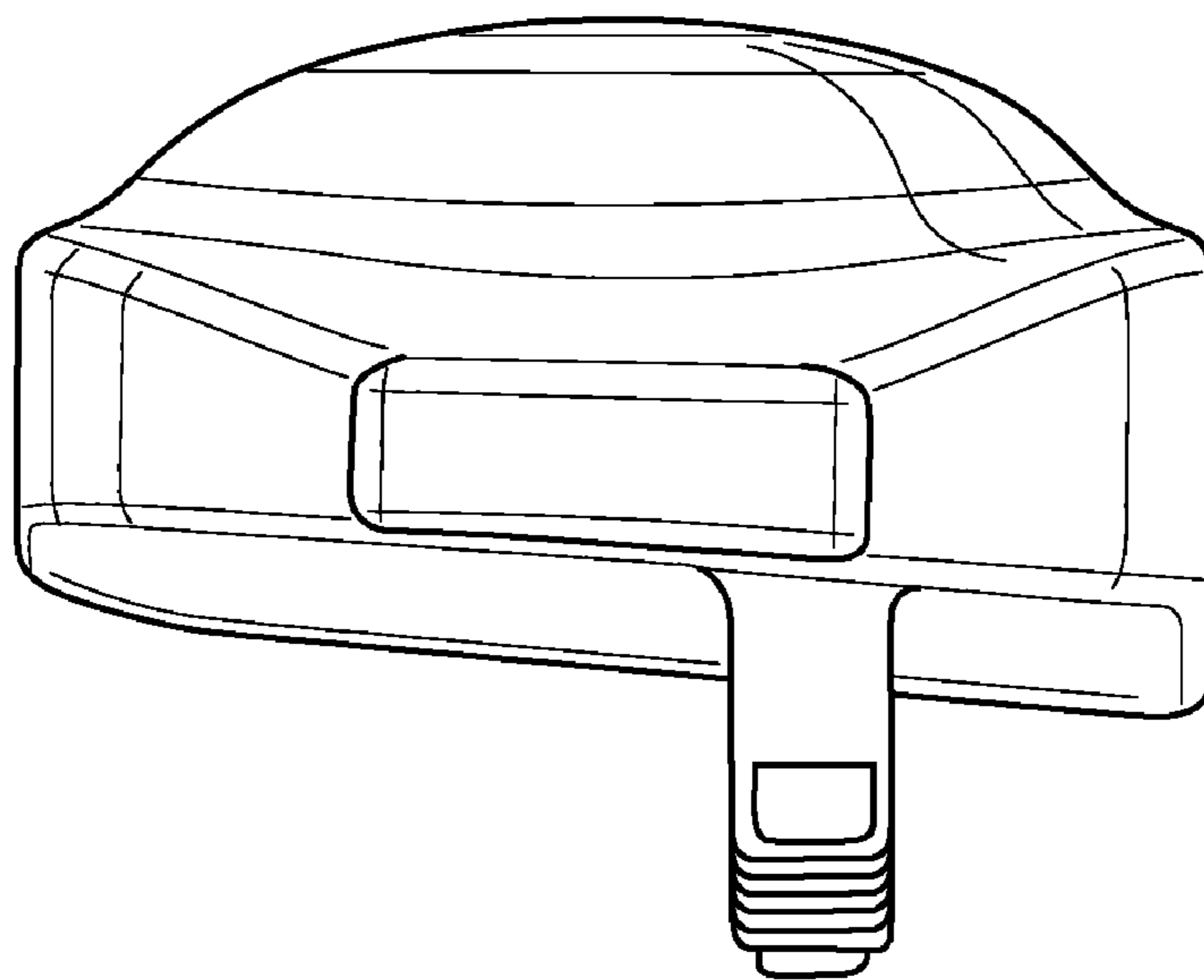
**FIG. 3**



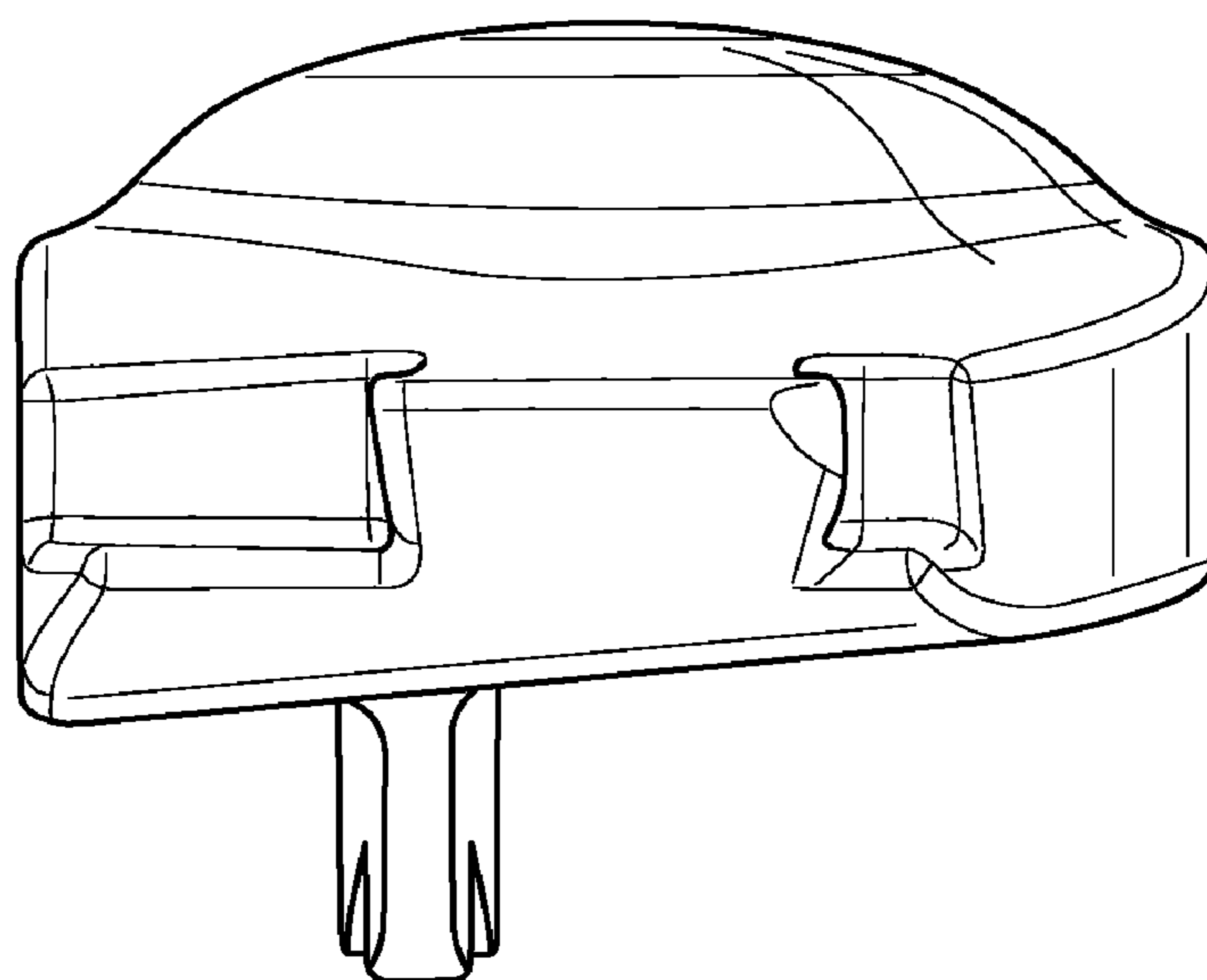
**FIG. 4**



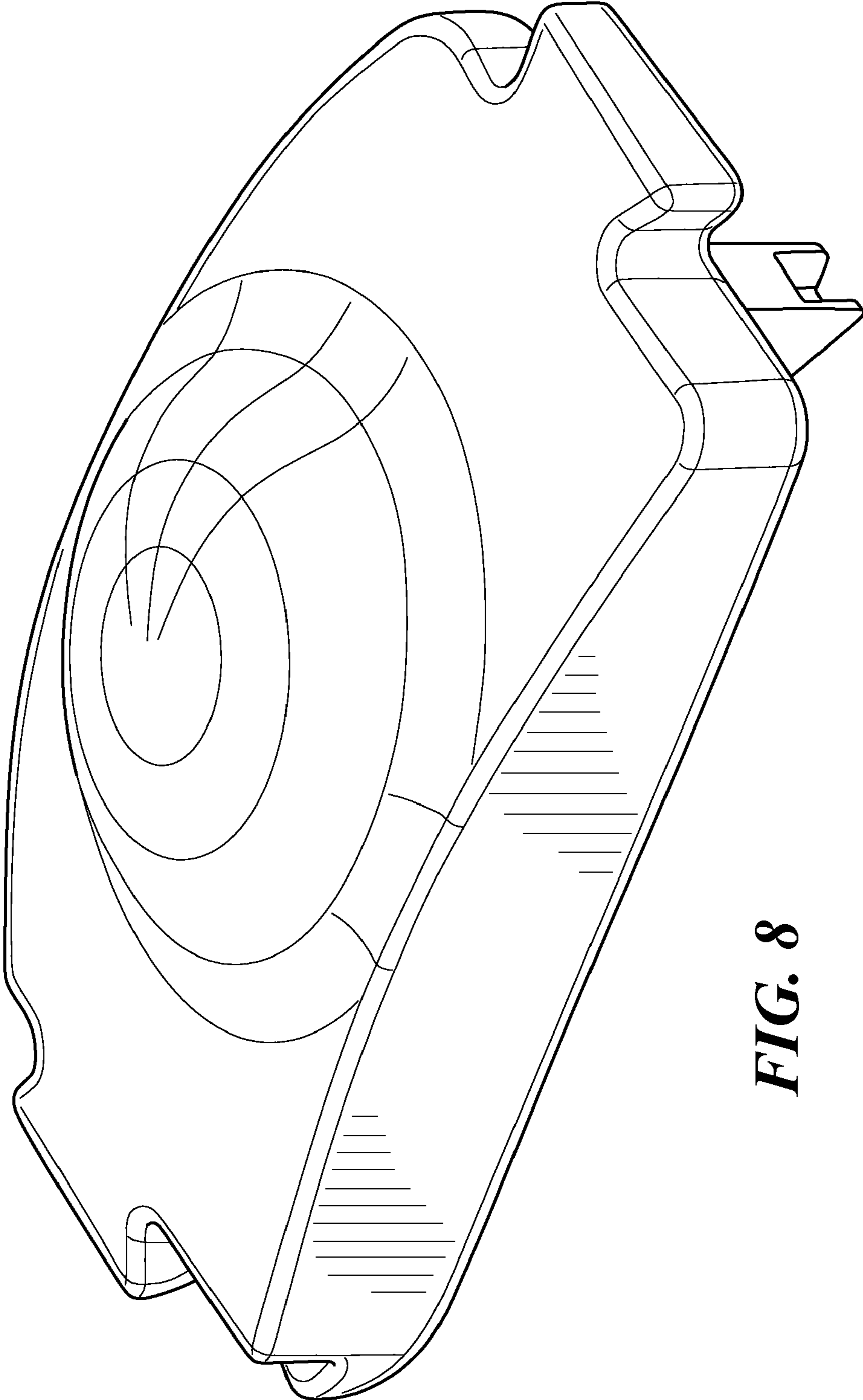
**FIG. 5**



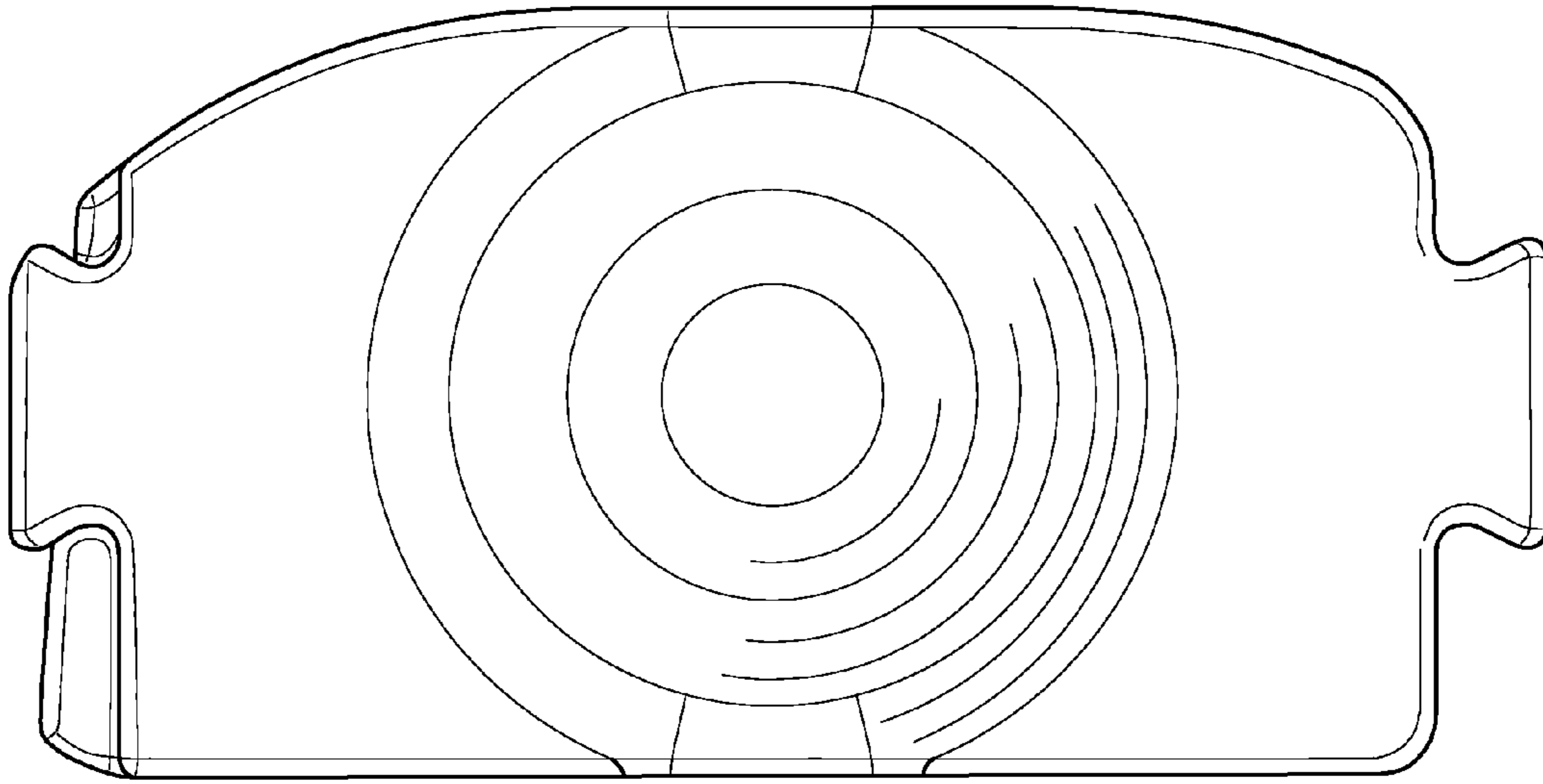
**FIG. 6**



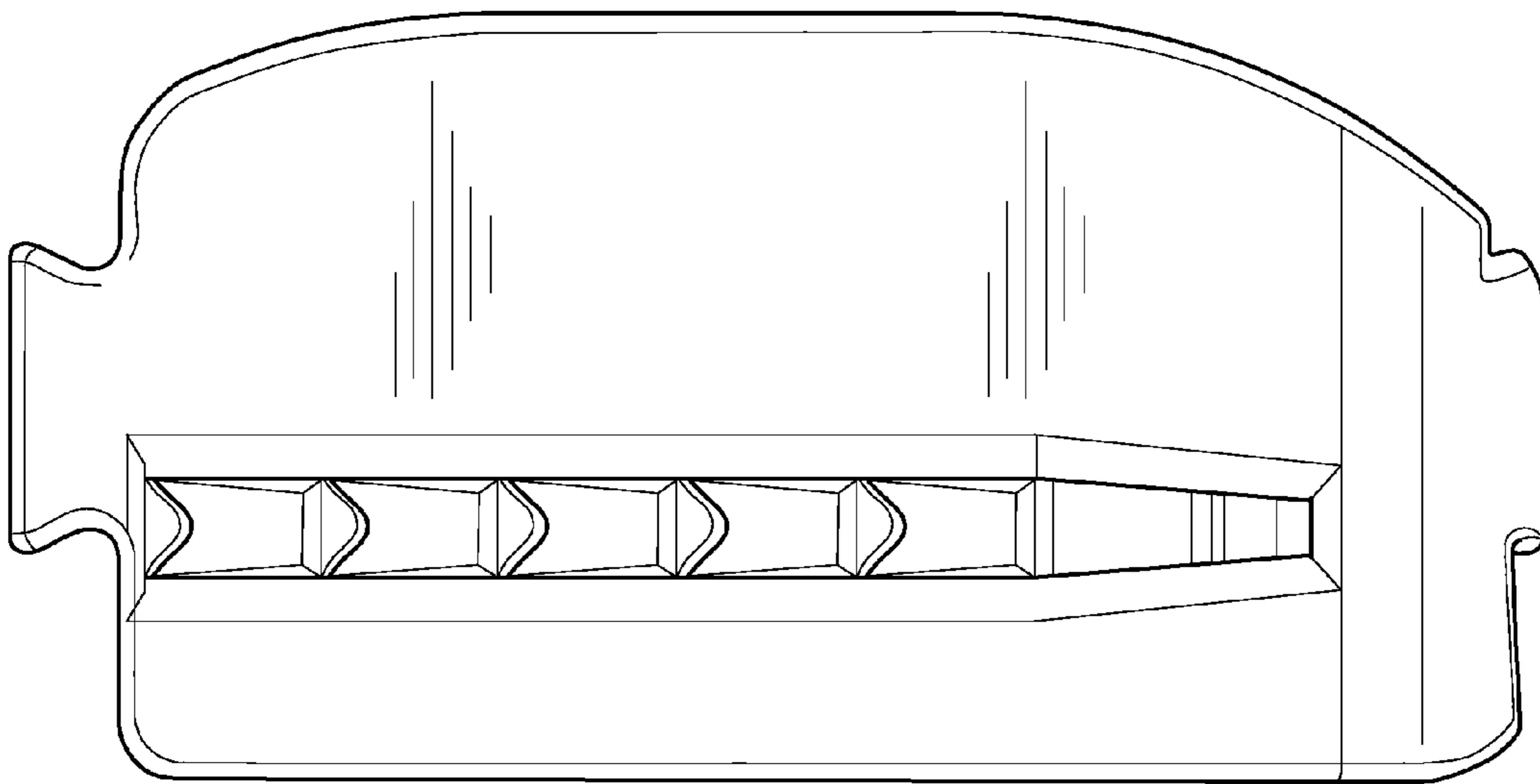
**FIG. 7**



**FIG. 8**

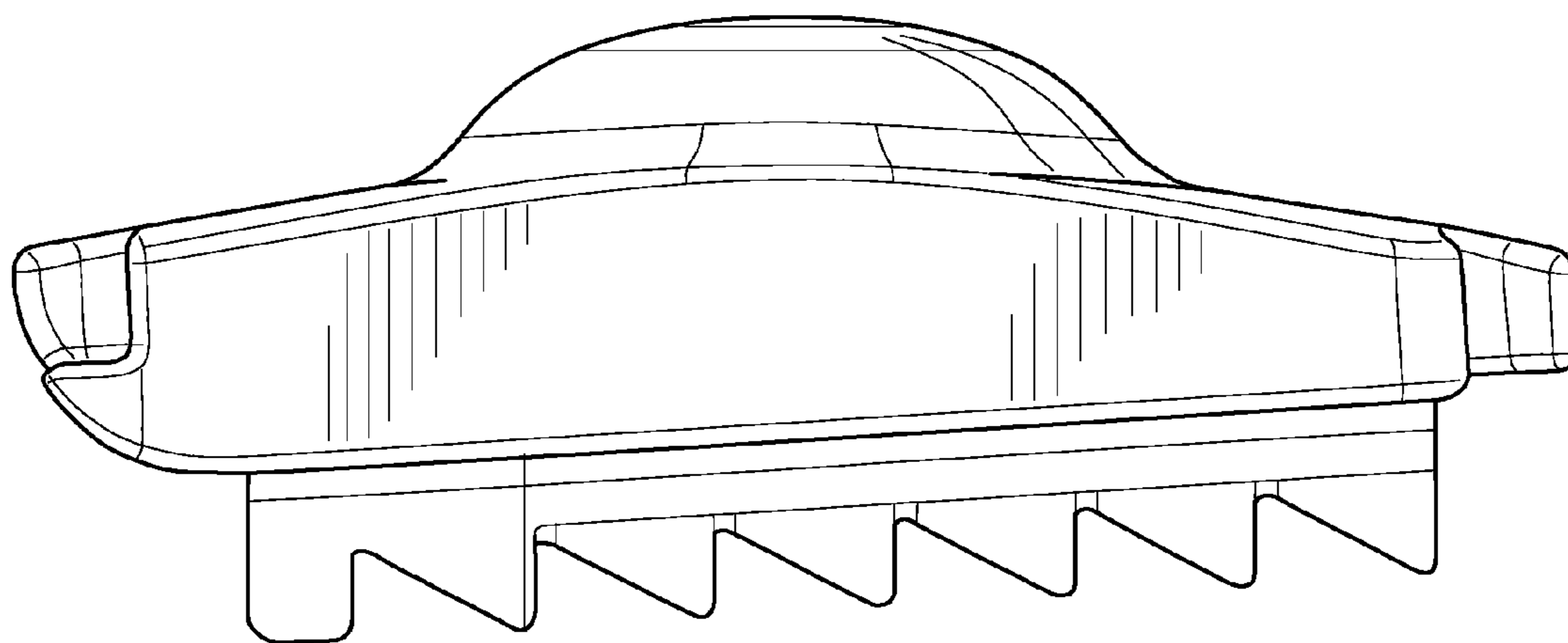


**FIG. 9**

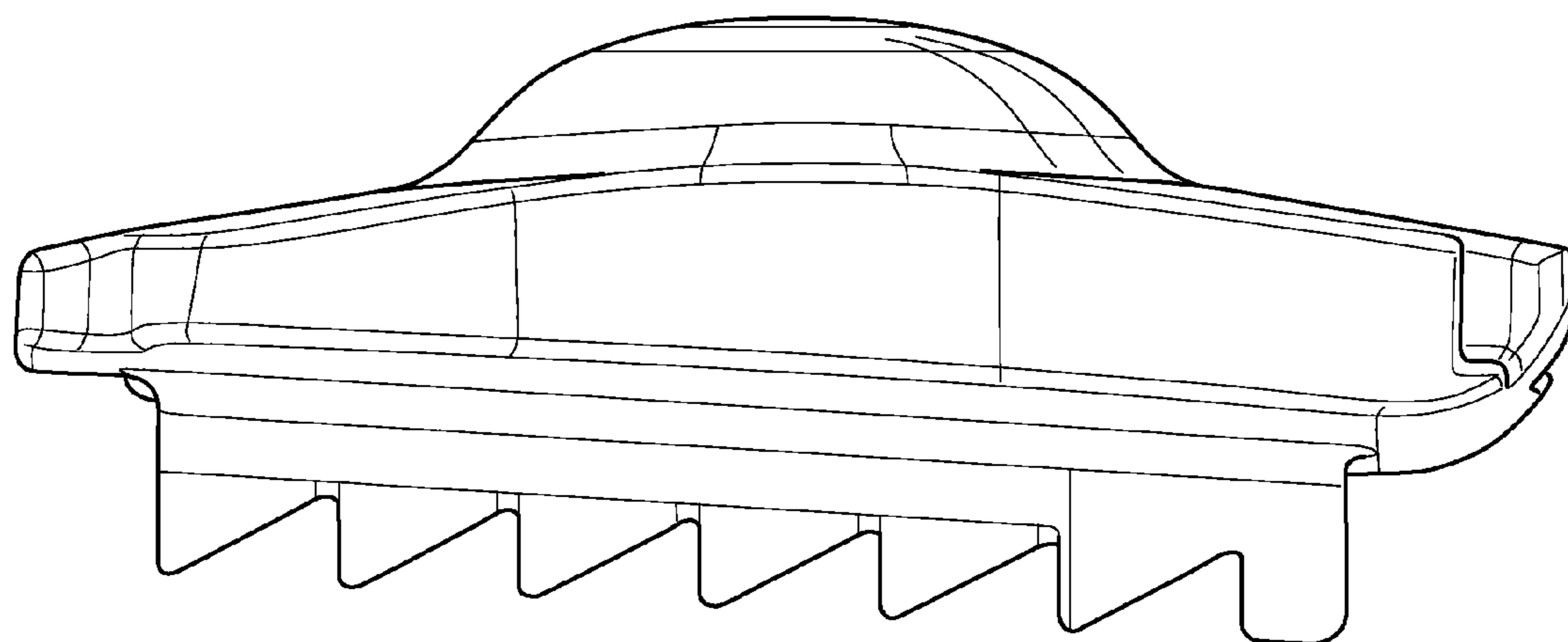


**FIG. 10**

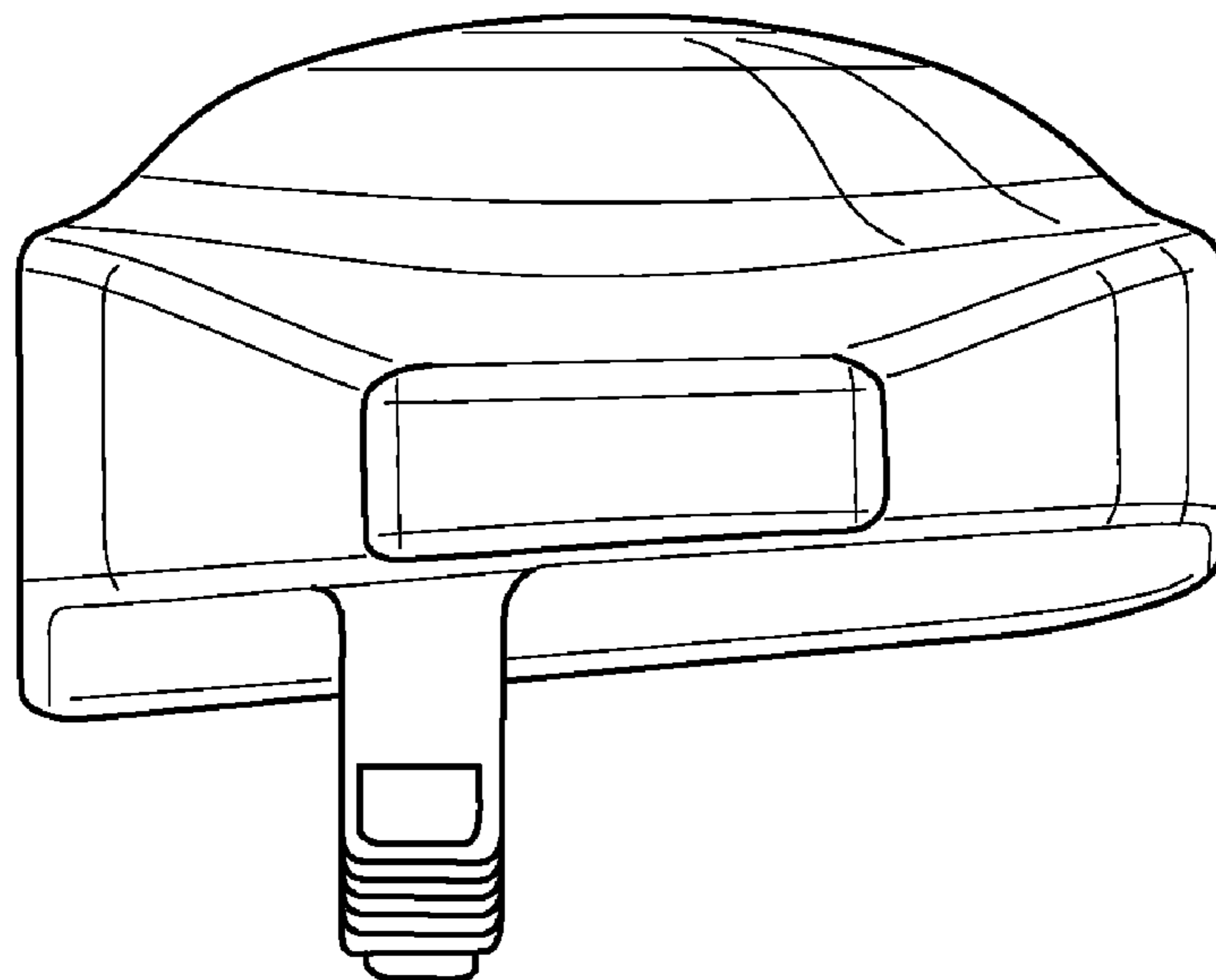




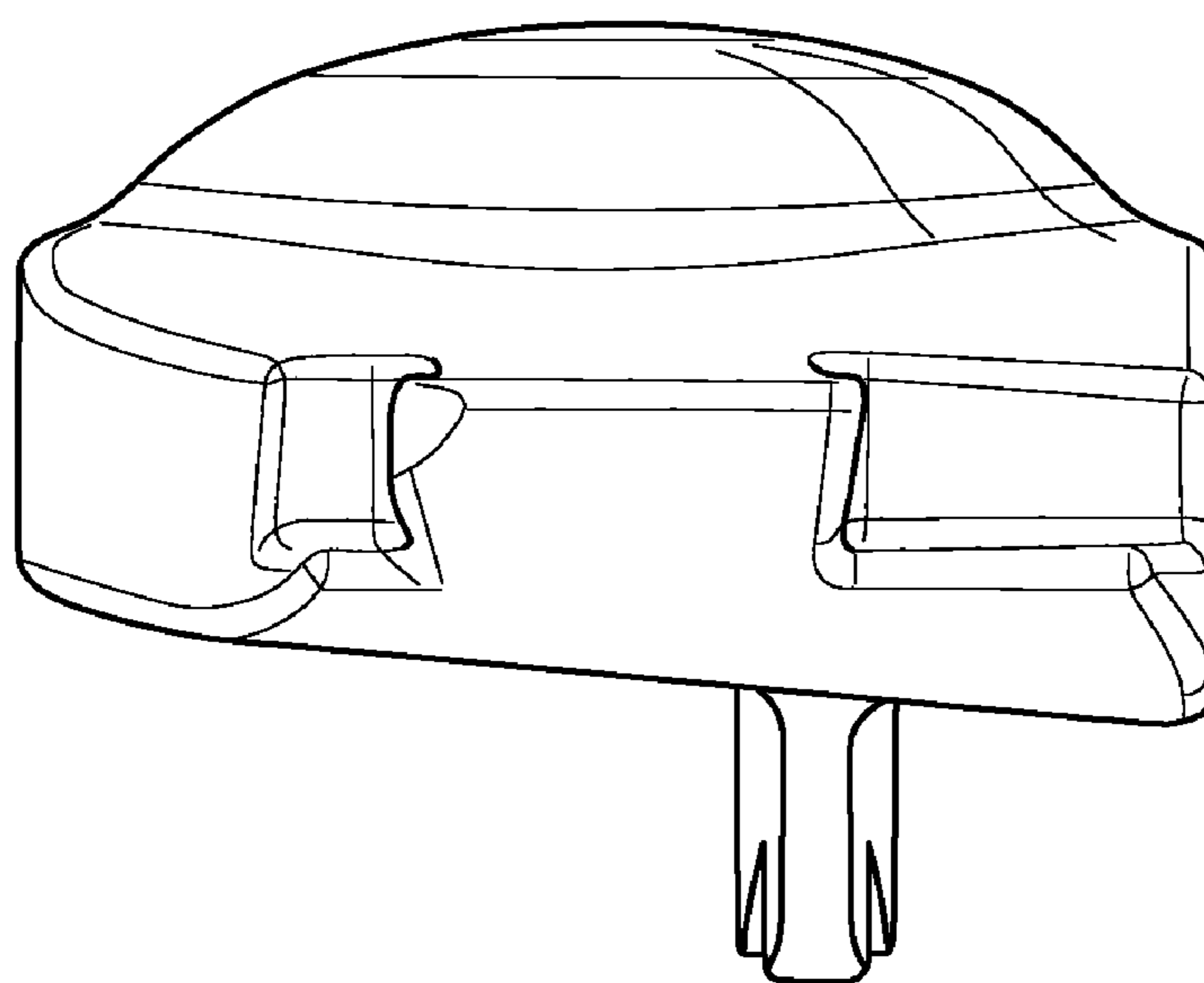
**FIG. 11**



**FIG. 12**



***FIG. 13***



***FIG. 14***