



US00D598104S

(12) **United States Design Patent**
Bush, Jr.

(10) **Patent No.:** **US D598,104 S**
(45) **Date of Patent:** **** Aug. 11, 2009**

- (54) **CERVICAL PLATE**
- (75) Inventor: **Charles L. Bush, Jr.**, Fairfield, NJ (US)
- (73) Assignee: **Stryker Spine** (FR)
- (**) Term: **14 Years**
- (21) Appl. No.: **29/312,224**
- (22) Filed: **Oct. 7, 2008**

D449,692 S	10/2001	Michelson	
6,336,930 B1	1/2002	Stalcup et al.	
6,364,880 B1	4/2002	Michelson	
6,428,542 B1 *	8/2002	Michelson	606/70
6,547,790 B2	4/2003	Harkey, III et al.	
6,592,586 B1 *	7/2003	Michelson	606/71
6,602,255 B1	8/2003	Campbell et al.	
6,626,944 B1	9/2003	Taylor et al.	
6,916,320 B2 *	7/2005	Michelson	606/71
6,945,973 B2	9/2005	Bray	

Related U.S. Application Data

- (62) Division of application No. 29/267,197, filed on Oct. 5, 2006, now Pat. No. Des. 581,535.

(Continued)

- (51) **LOC (9) Cl.** **24-03**
- (52) **U.S. Cl.** **D24/155**
- (58) **Field of Classification Search** D24/155,
D24/156, 157; 623/17.11, 16.71; D8/391-393,
D8/382, 354; 606/246, 247, 248, 249, 258,
606/267, 280, 70, 71, 283, 299, 166, 903,
606/905, 906, 286, 396, 17.16, 17.13
See application file for complete search history.

OTHER PUBLICATIONS

U.S. Appl. No. 29/267,173.

(Continued)

Primary Examiner—Charles A Rademaker
(74) *Attorney, Agent, or Firm*—Lerner, David, Littenberg,
Krumholz & Mentlik, LLP

(56) **References Cited**

U.S. PATENT DOCUMENTS

D282,580 S	2/1986	Linkow et al.	
5,180,381 A	1/1993	Aust et al.	
5,304,210 A	4/1994	Crook	
5,330,477 A	7/1994	Crook	
5,490,851 A	2/1996	Nenov et al.	
5,496,318 A	3/1996	Howland et al.	
5,603,713 A	2/1997	Aust et al.	
5,662,652 A	9/1997	Schafer et al.	
D402,032 S *	12/1998	Stone	D24/155
5,868,746 A	2/1999	Sarver et al.	
5,941,881 A	8/1999	Barnes	
5,951,558 A	9/1999	Fiz et al.	
D420,373 S	2/2000	Bonitz et al.	
6,117,135 A	9/2000	Schlapfer et al.	
6,129,730 A	10/2000	Bono et al.	
6,206,882 B1	3/2001	Cohen	
D440,311 S *	4/2001	Michelson	D24/155
6,261,291 B1	7/2001	Talaber et al.	

(57) **CLAIM**

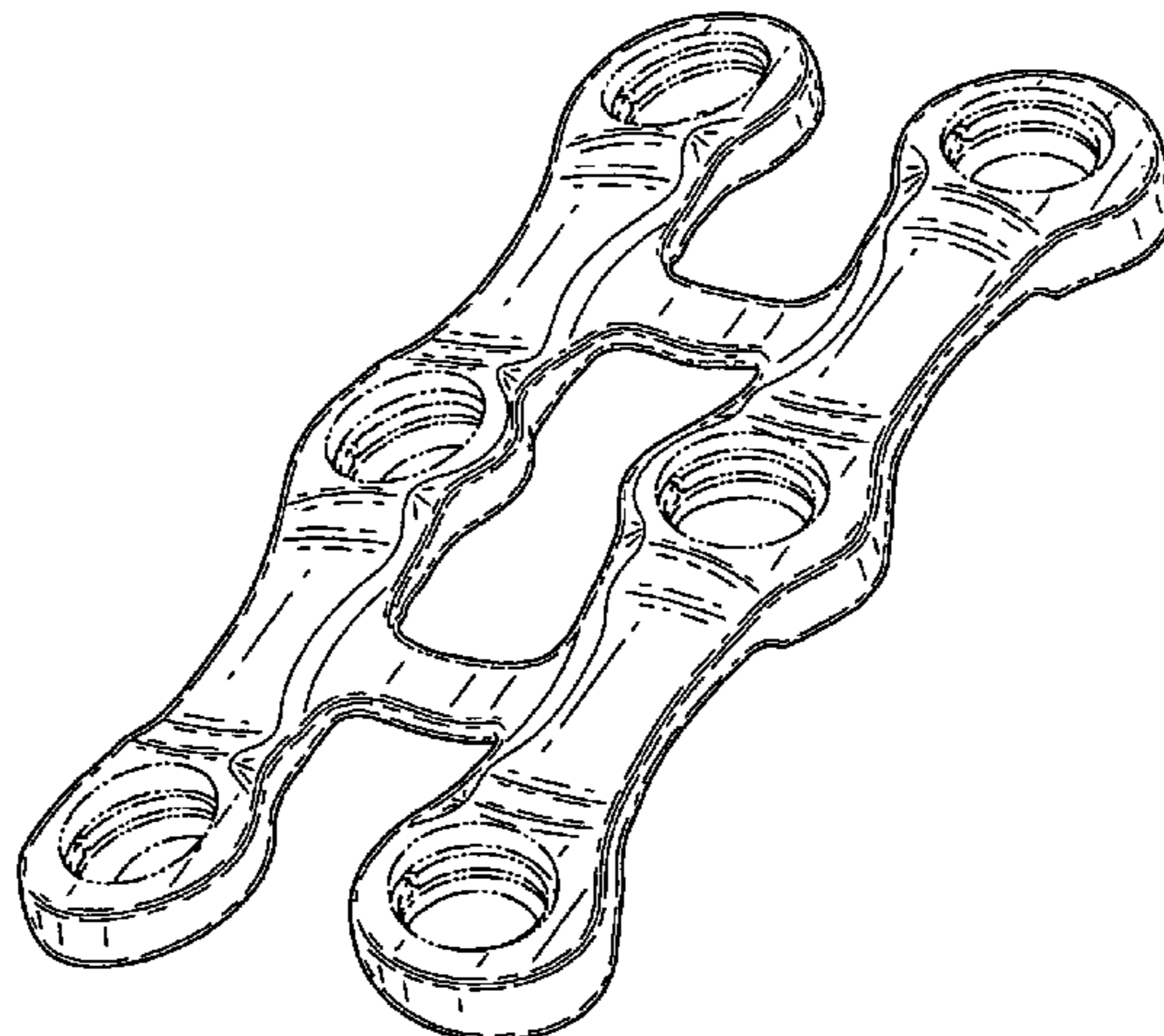
The ornamental design for a cervical plate, as shown and described.

DESCRIPTION

FIG. 1 is a top perspective view of a cervical plate showing my new design;
 FIG. 2 is a top plan view thereof;
 FIG. 3 is a bottom plan view thereof;
 FIG. 4 is a right side elevational view thereof, the left side being a mirror image; and,
 FIG. 5 is an end elevational view thereof, the end opposite being a mirror image.

The broken lines shown in the drawings are included for the purpose of illustrating structure and form no part of the claimed design.

1 Claim, 3 Drawing Sheets



US D598,104 S

Page 2

U.S. PATENT DOCUMENTS

7,001,389 B1 2/2006 Navarro et al.
D520,637 S * 5/2006 Kay et al. D24/155
7,052,499 B2 5/2006 Steger et al.
7,060,067 B2 6/2006 Needham et al.
7,074,221 B2 * 7/2006 Michelson 606/70
7,175,624 B2 2/2007 Konieczynski et al.
7,220,263 B2 * 5/2007 Cordaro 606/70
7,229,442 B2 6/2007 Schafer et al.
7,318,825 B2 * 1/2008 Butler et al. 606/71
7,322,984 B2 1/2008 Doubler et al.
D574,082 S * 7/2008 Orthner D24/155

2003/0040749 A1 2/2003 Grabowski et al.
2003/0229348 A1 12/2003 Sevrain
2004/0243239 A1 12/2004 Taylor
2004/0267369 A1 12/2004 Lyons et al.
2005/0004573 A1 1/2005 Abdou
2006/0276795 A1 12/2006 Orbay et al.

OTHER PUBLICATIONS

U.S. Appl. No. 11/153,630.
U.S. Appl. No. 29/312,225.

* cited by examiner

FIG. 1

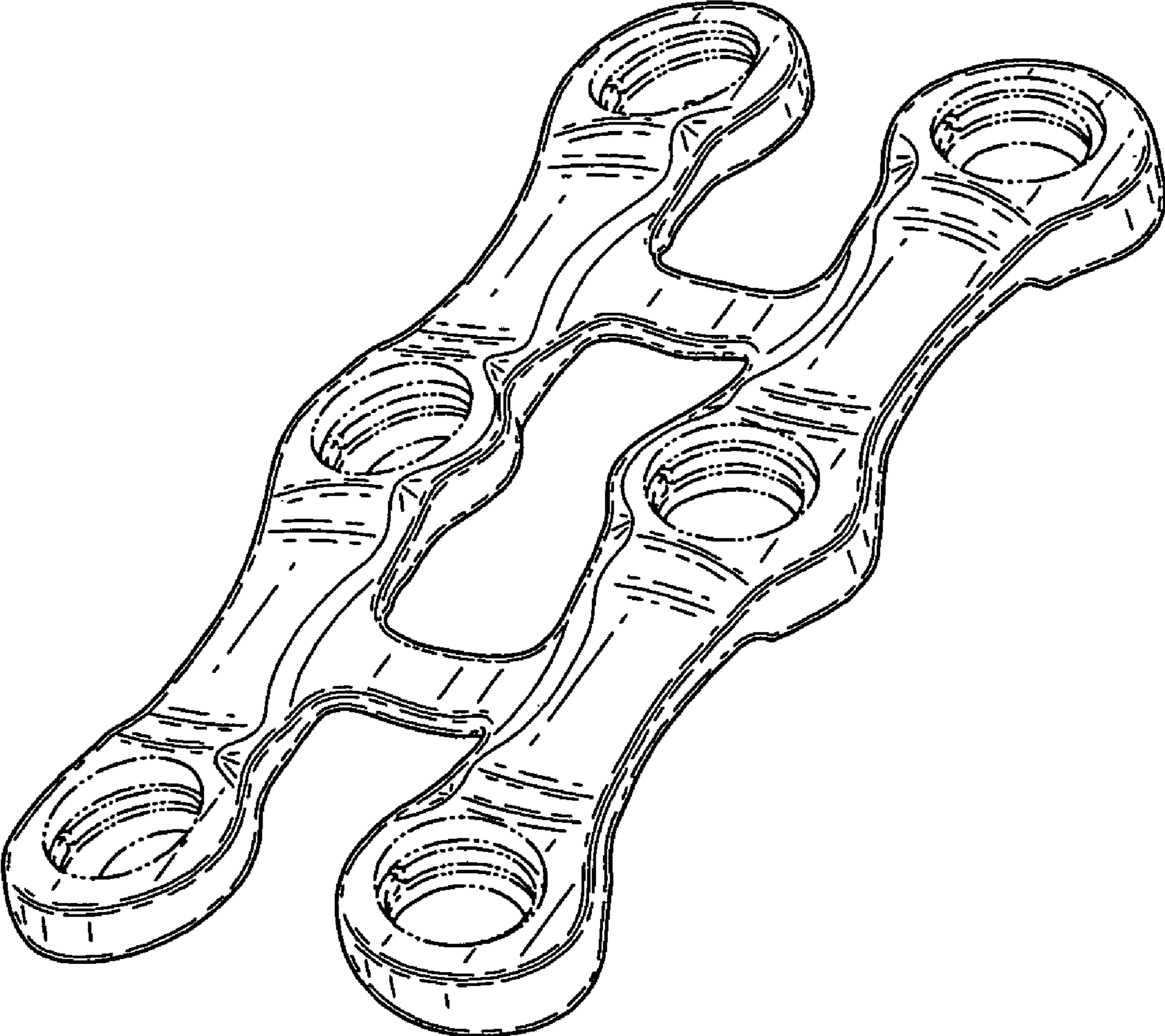


FIG. 2

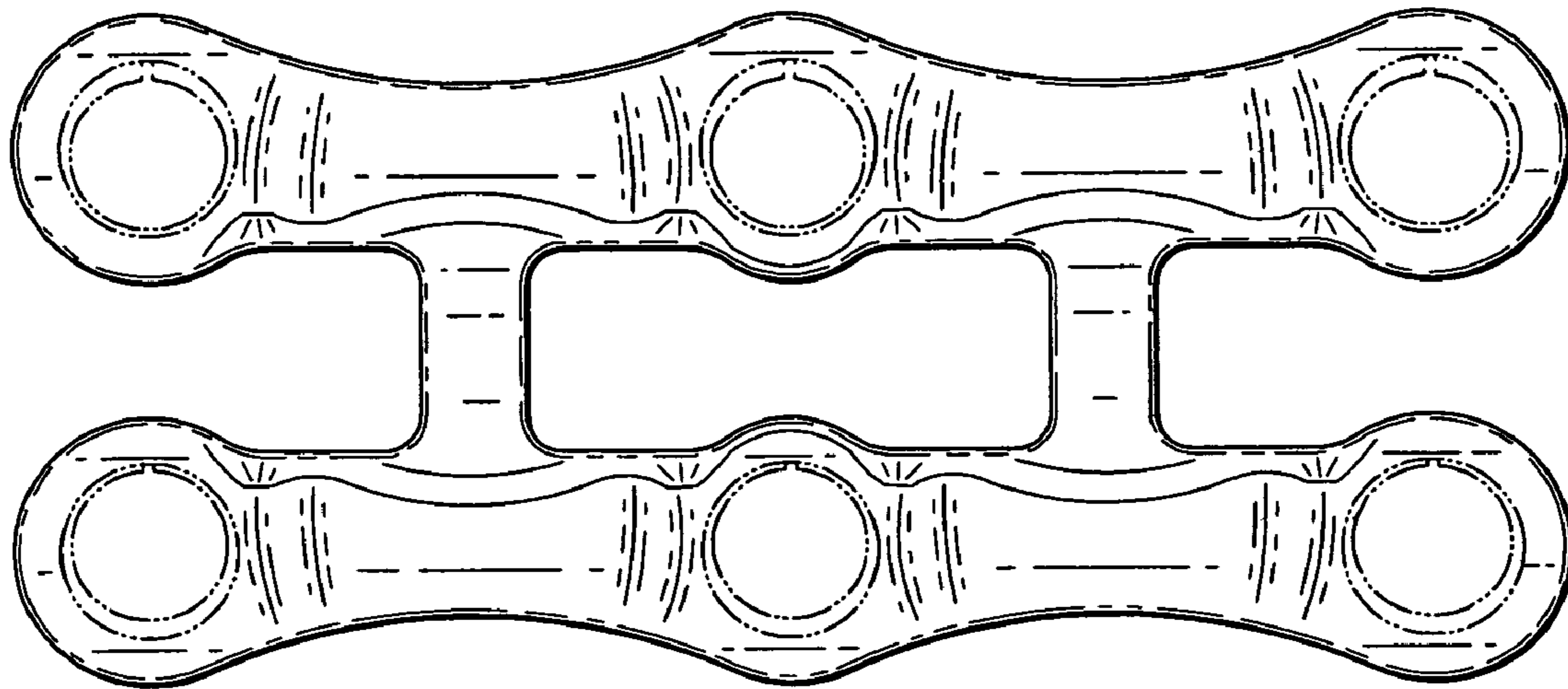


FIG. 3

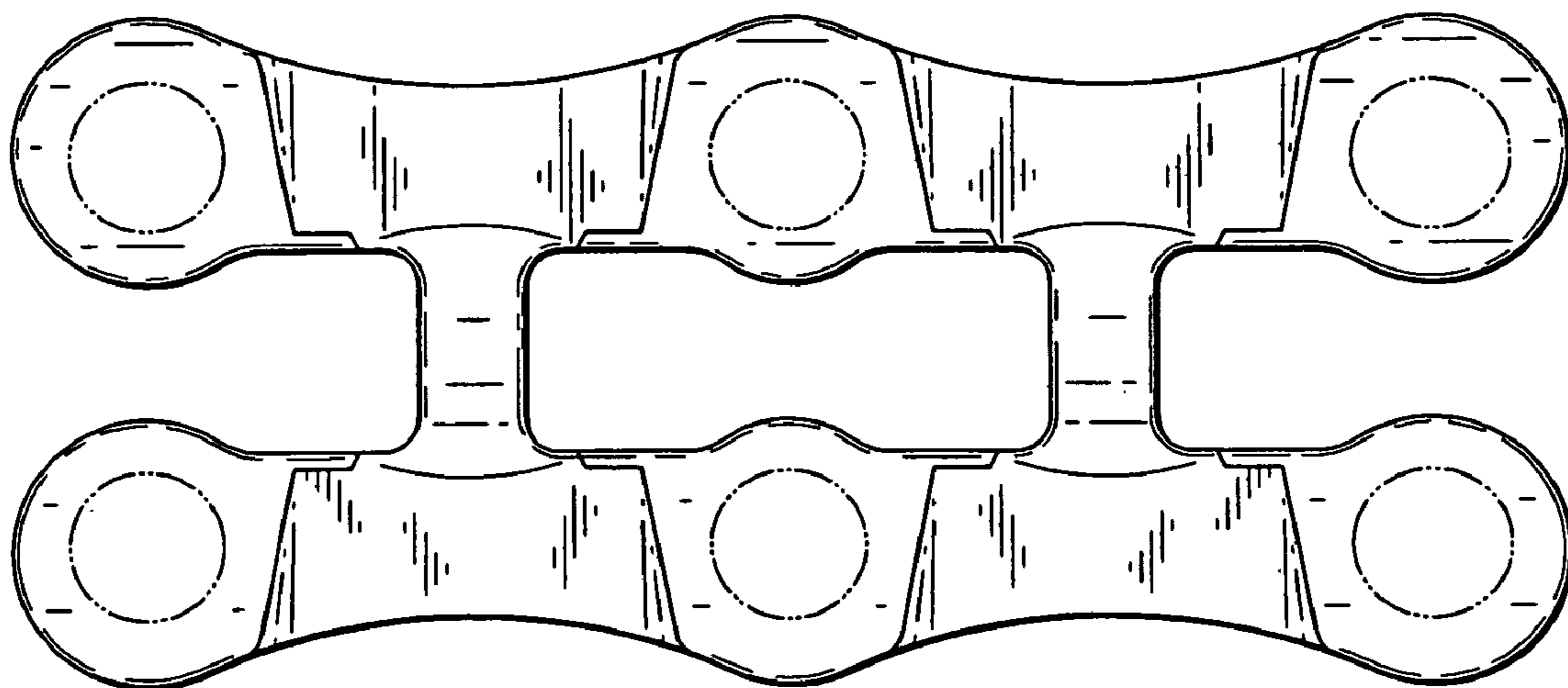


FIG. 4



FIG. 5

