



US00D598101S

(12) **United States Design Patent**
Keckstein et al.

(10) **Patent No.:** **US D598,101 S**

(45) **Date of Patent:** **** Aug. 11, 2009**

(54) **NEEDLE HOLDER WITH EXCHANGEABLE HANDLES**

2007/0016248 A1* 1/2007 Cuschieri et al. 606/205
2008/0046003 A1* 2/2008 Renger et al. 606/206
2009/0082795 A1* 3/2009 Blocher et al. 606/167

(75) Inventors: **Joerg Keckstein**, Villach (AT); **Martin Blocher**, Tuttlingen (DE)

* cited by examiner

(73) Assignee: **Karl Storz GmbH & Co. KG** (DE)

Primary Examiner—Ian Simmons

Assistant Examiner—Christopher Lee

(**) Term: **14 Years**

(74) *Attorney, Agent, or Firm*—St. Onge Steward Johnston & Reens LLC

(21) Appl. No.: **29/324,076**

(57) **CLAIM**

(22) Filed: **Sep. 5, 2008**

The ornamental design for a needle holder with exchangeable handles, as shown and described.

(30) **Foreign Application Priority Data**

DESCRIPTION

Mar. 7, 2008 (EM) 000893342

(51) **LOC (9) Cl.** **24-02**

FIG. 1 is a rear isometric view of a needle holder with exchangeable handles in accordance with the new design;

(52) **U.S. Cl.** **D24/143; D24/147**

FIG. 2 is a left side view thereof;

(58) **Field of Classification Search** D24/143, D24/144, 145, 146, 147, 148, 133; 606/205, 606/206, 208, 167, 170, 45, 210, 213, 215

FIG. 3 is a right side view thereof;

See application file for complete search history.

FIG. 4 is a top view thereof;

FIG. 5 is a bottom view thereof;

(56) **References Cited**

FIG. 6 is a front view thereof; and,

FIG. 7 is a rear view thereof.

U.S. PATENT DOCUMENTS

D346,862 S * 5/1994 Koros et al. D24/143

D378,611 S * 3/1997 Croley D24/144

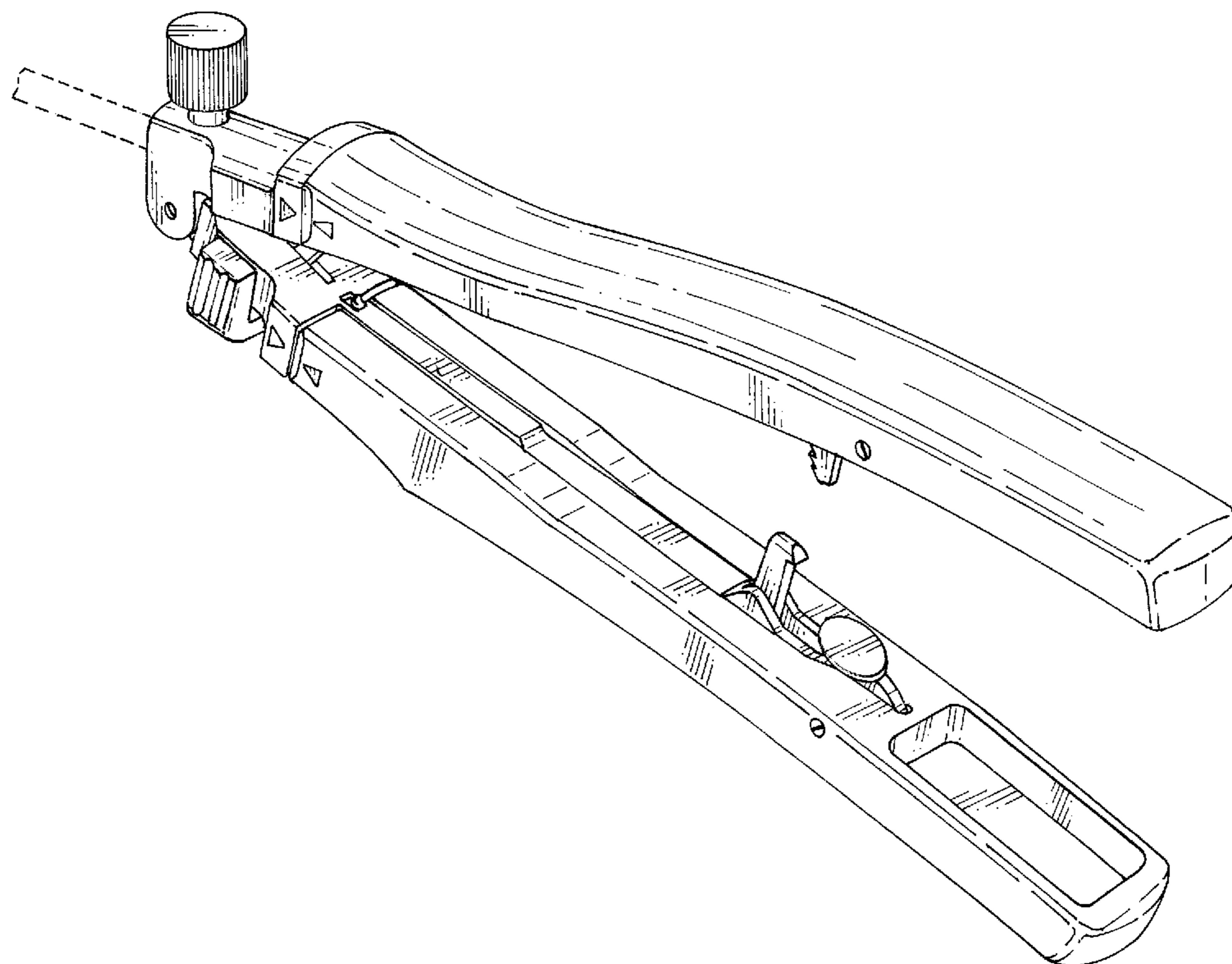
D571,914 S * 6/2008 Bacher D24/143

D583,472 S * 12/2008 Koh D24/143

2005/0119692 A1* 6/2005 Szabo 606/205

The broken line showing of the shaft area in FIGS. 1–6 is for the purpose of illustrating environmental structure and forms no part of the claimed design.

1 Claim, 5 Drawing Sheets



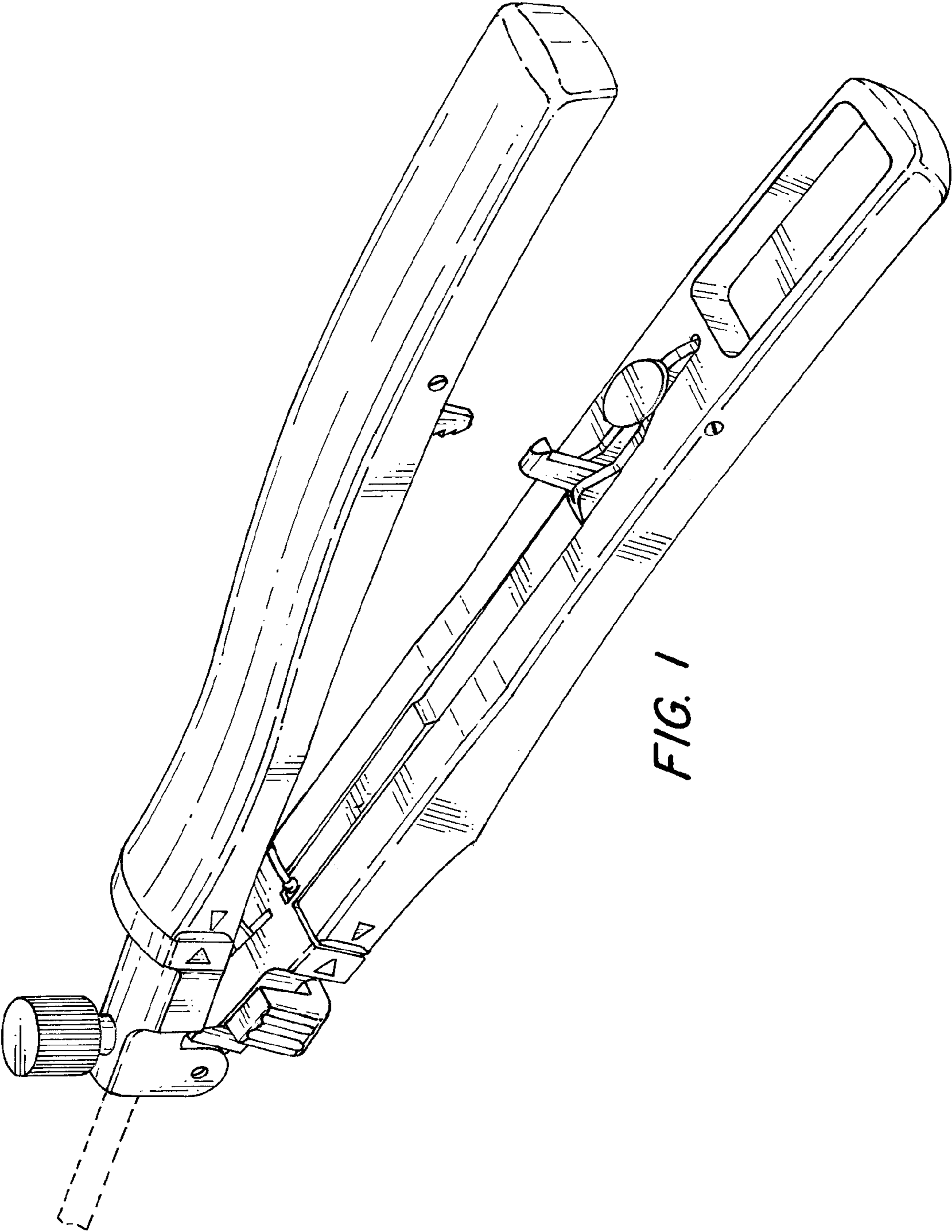


FIG. 1

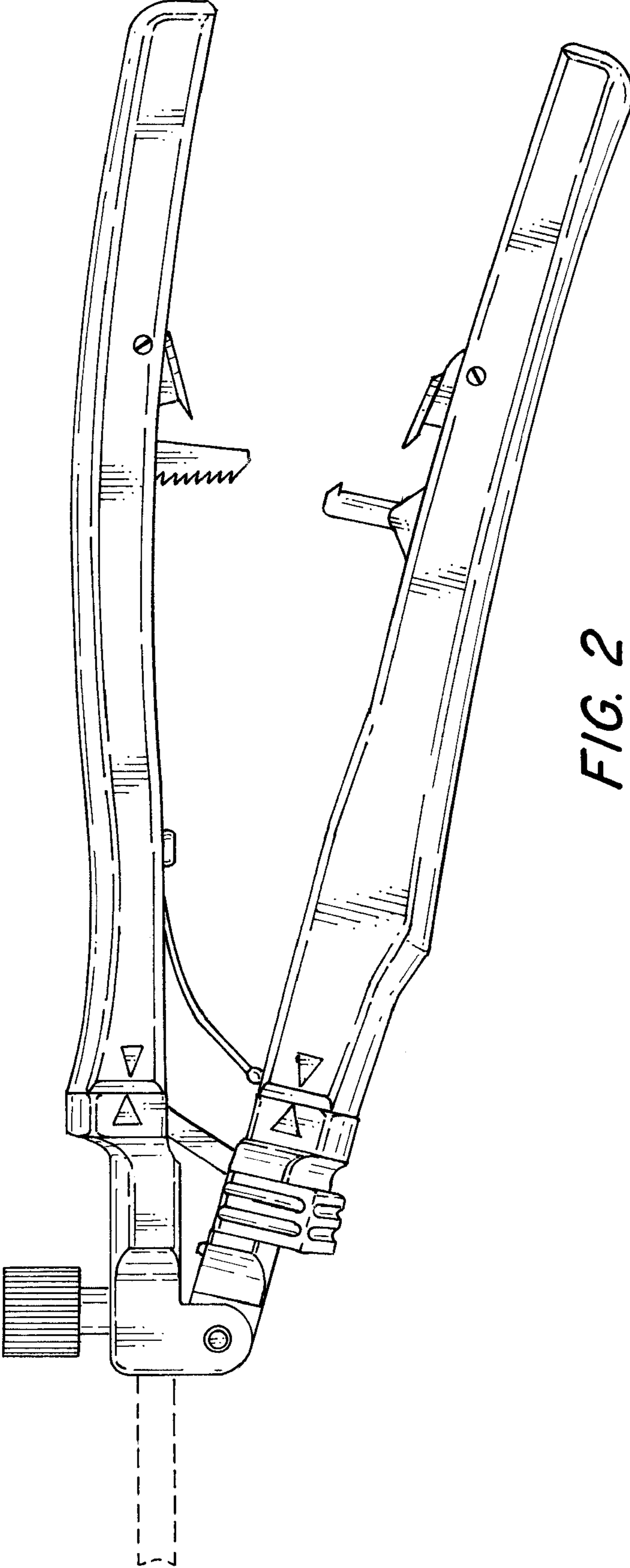


FIG. 2

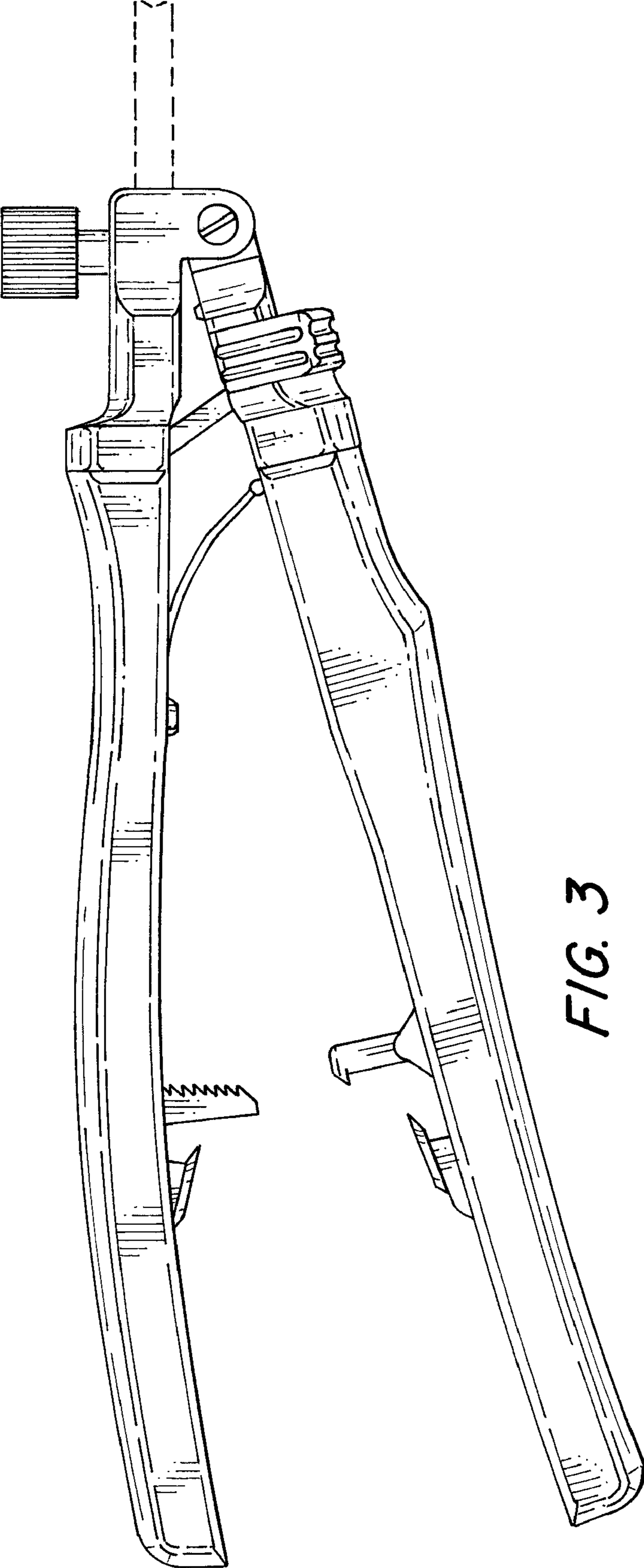


FIG. 3

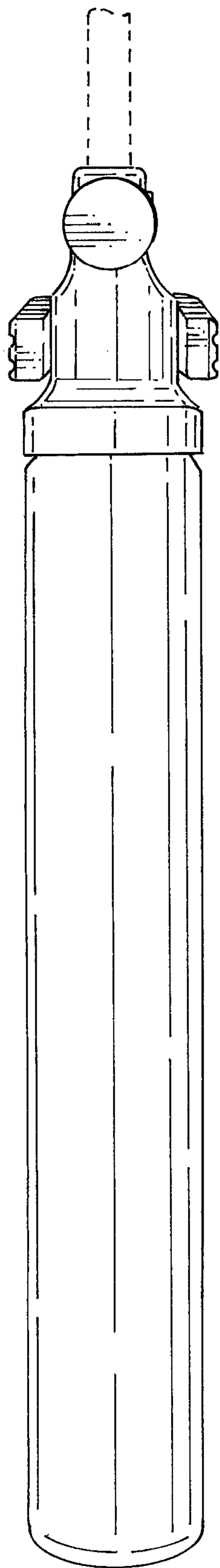


FIG. 4

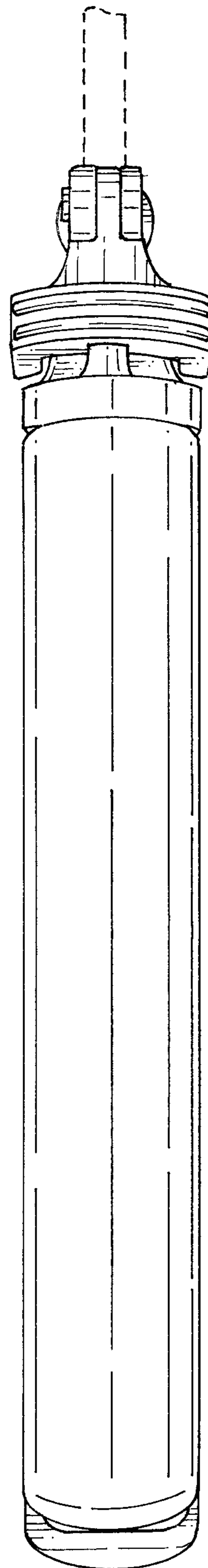


FIG. 5

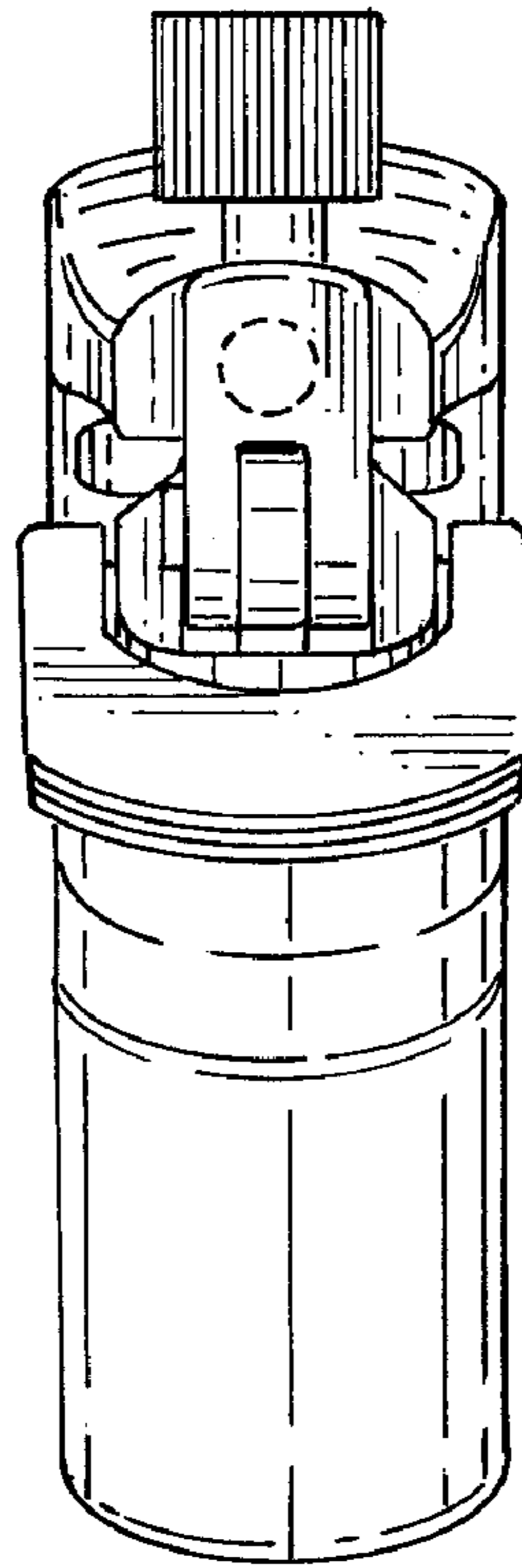


FIG. 6

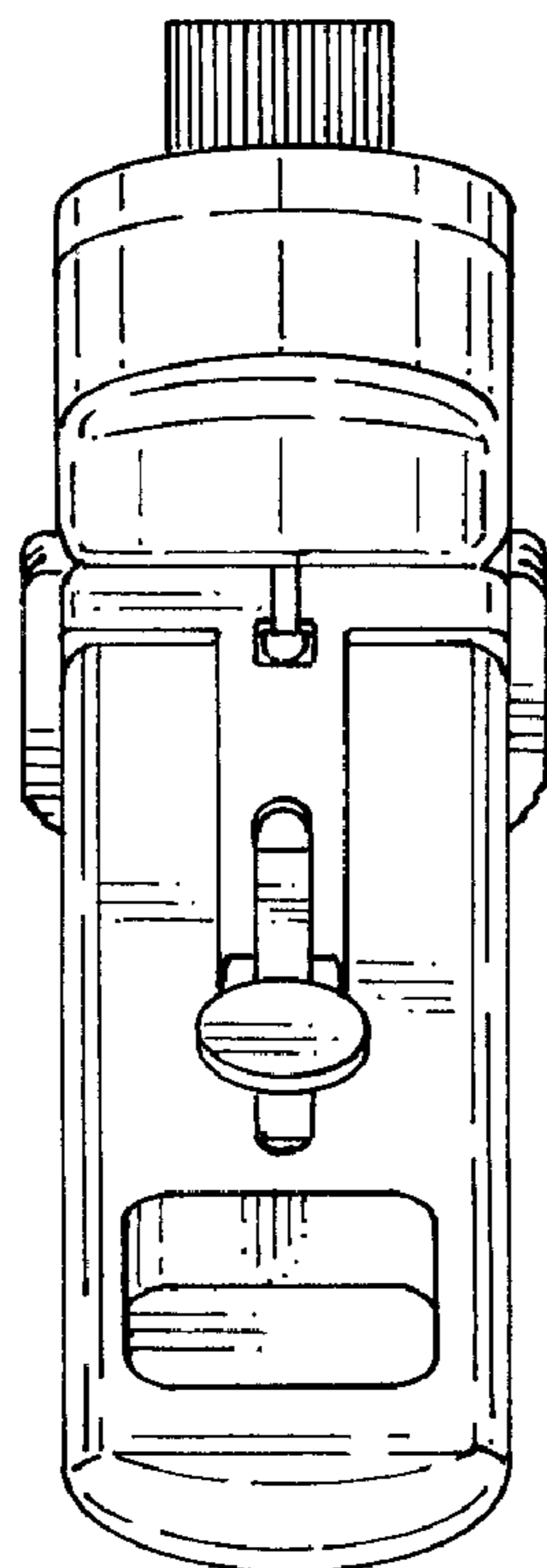


FIG. 7