



US00D598100S

(12) **United States Design Patent**
Tanaka

(10) **Patent No.:** **US D598,100 S**

(45) **Date of Patent:** **** Aug. 11, 2009**

(54) **CONTROLLER FOR ENDOSCOPE**

(75) Inventor: **Kunihiko Tanaka**, Saitama (JP)

(73) Assignee: **Fujinon Corporation**, Saitama (JP)

(**) Term: **14 Years**

(21) Appl. No.: **29/319,690**

(22) Filed: **Jun. 12, 2008**

(30) **Foreign Application Priority Data**

Dec. 14, 2007	(JP)	2007-034312
Mar. 13, 2008	(JP)	2008-006217

(51) **LOC (9) Cl.** **24-01**

(52) **U.S. Cl.** **D24/138; D24/107; D24/144**

(58) **Field of Classification Search** D24/138,
D24/107, 144, 186; 600/144, 170, 178, 132,
600/160

See application file for complete search history.

(56) **References Cited**

U.S. PATENT DOCUMENTS

D412,977	S *	8/1999	Hayamizu	D24/107
D481,123	S *	10/2003	Hayamizu	D24/138
D534,654	S *	1/2007	Hayamizu	D24/138
D537,163	S *	2/2007	Nakamura	D24/138
D564,661	S *	3/2008	Hayashi	D24/138
2005/0267333	A1 *	12/2005	Hino	600/132
2006/0052663	A1 *	3/2006	Koitabashi	600/132

* cited by examiner

Primary Examiner—Ian Simmons

Assistant Examiner—Christopher Lee

(74) *Attorney, Agent, or Firm*—Birch, Stewart, Kolasch & Birch, LLP

(57) **CLAIM**

The ornamental design for a controller for endoscope, as shown and described.

DESCRIPTION

FIG. 1 is a top, front and side perspective view of a controller for endoscope showing a first embodiment of my new design;

FIG. 2 is a front elevational view thereof;

FIG. 3 is a rear elevational view thereof;

FIG. 4 is a top plan view thereof;

FIG. 5 is a bottom plan view thereof;

FIG. 6 is a right side elevational view thereof;

FIG. 7 is a left side elevational view thereof;

FIG. 8 is a top, front and side perspective view of a controller for endoscope showing a second embodiment of my new design;

FIG. 9 is a front elevational view thereof;

FIG. 10 is a rear elevational view thereof;

FIG. 11 is a top plan view thereof;

FIG. 12 is a bottom plan view thereof;

FIG. 13 is a left side elevational view thereof; and,

FIG. 14 is a right side elevational view thereof.

1 Claim, 8 Drawing Sheets

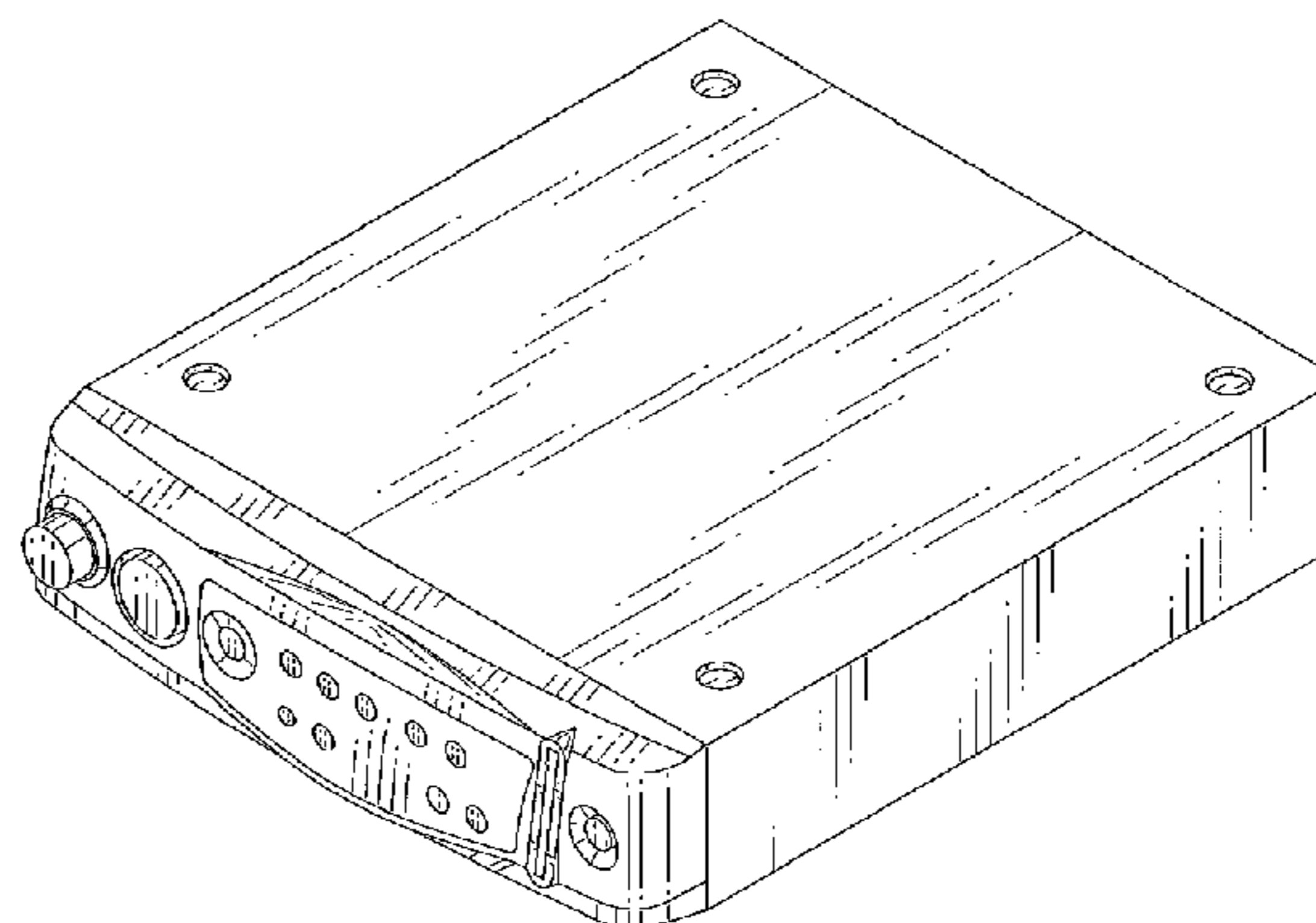
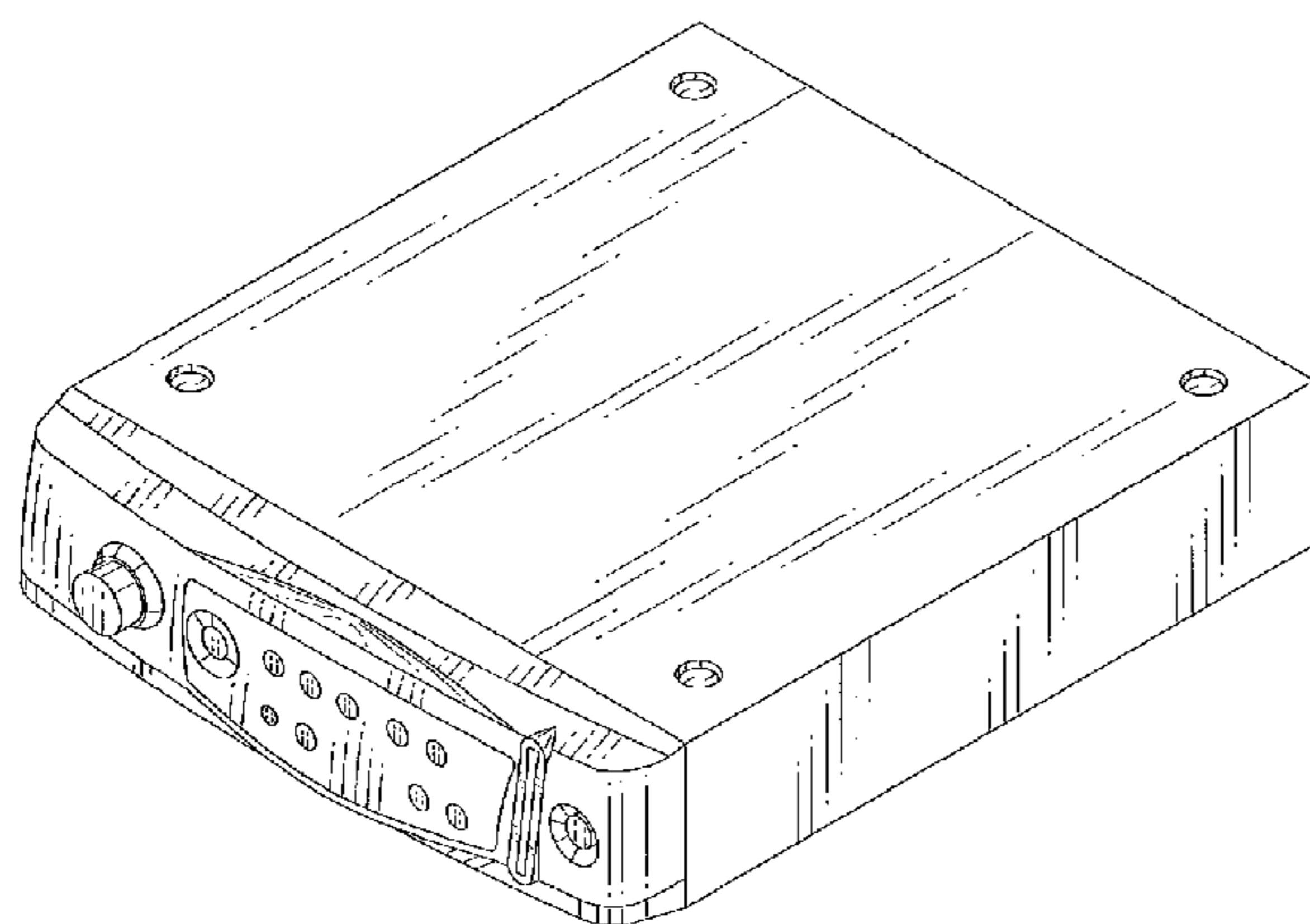


FIG.1

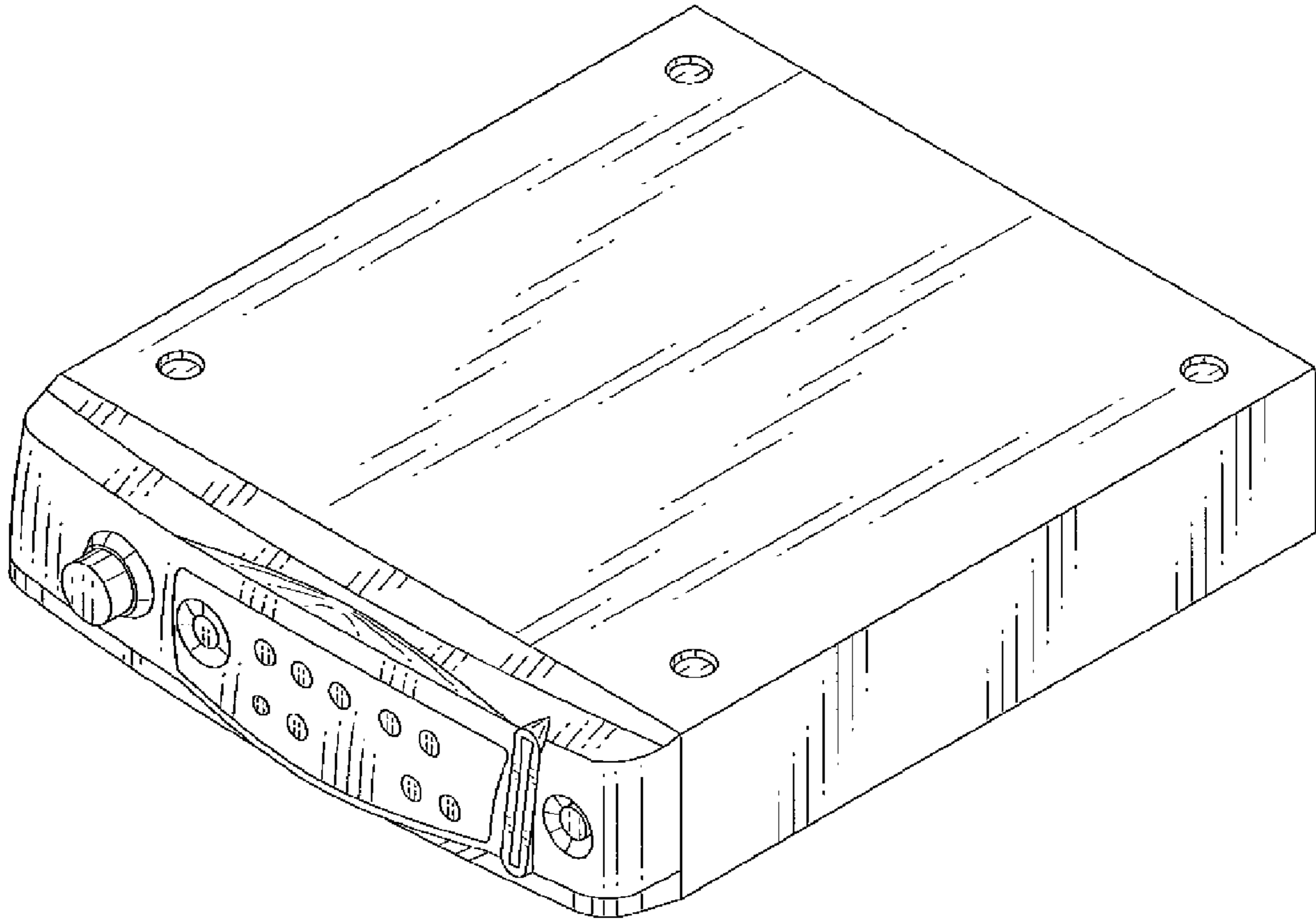


FIG.2

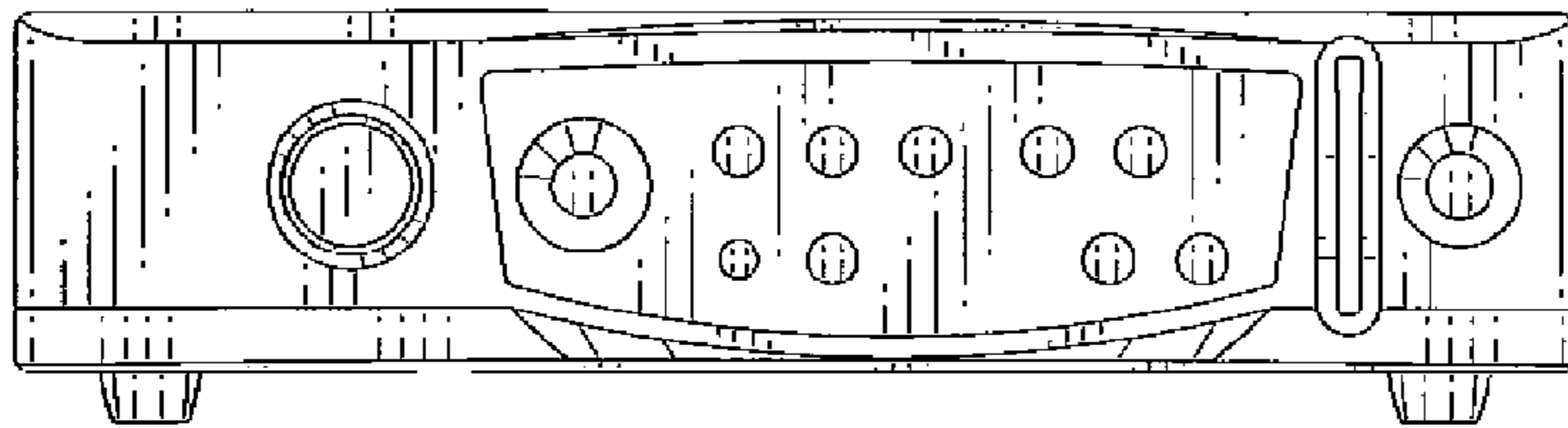


FIG.3

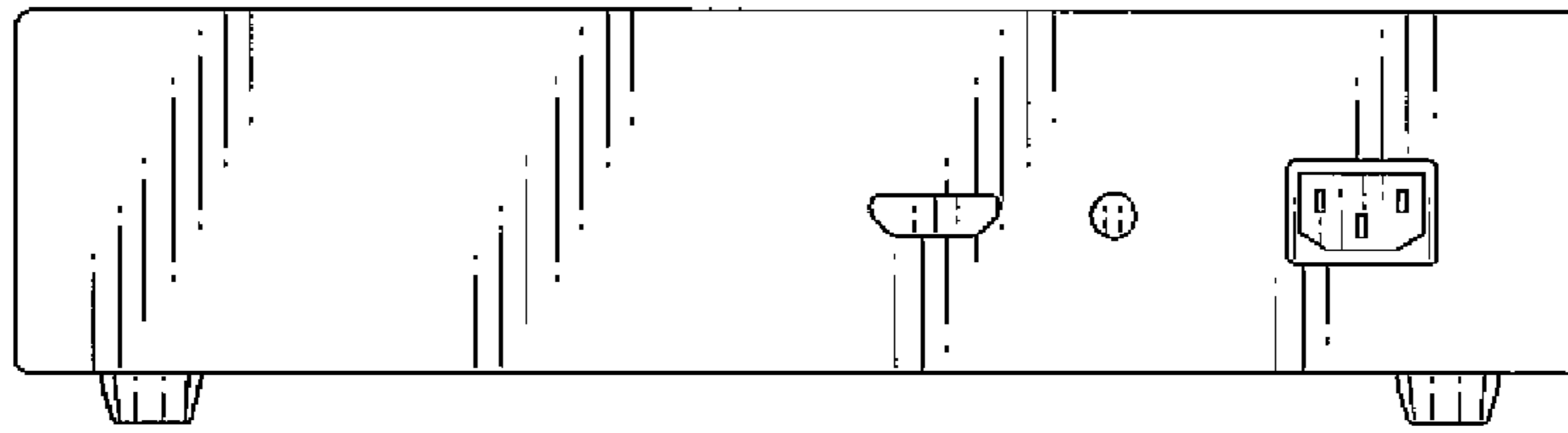


FIG.4

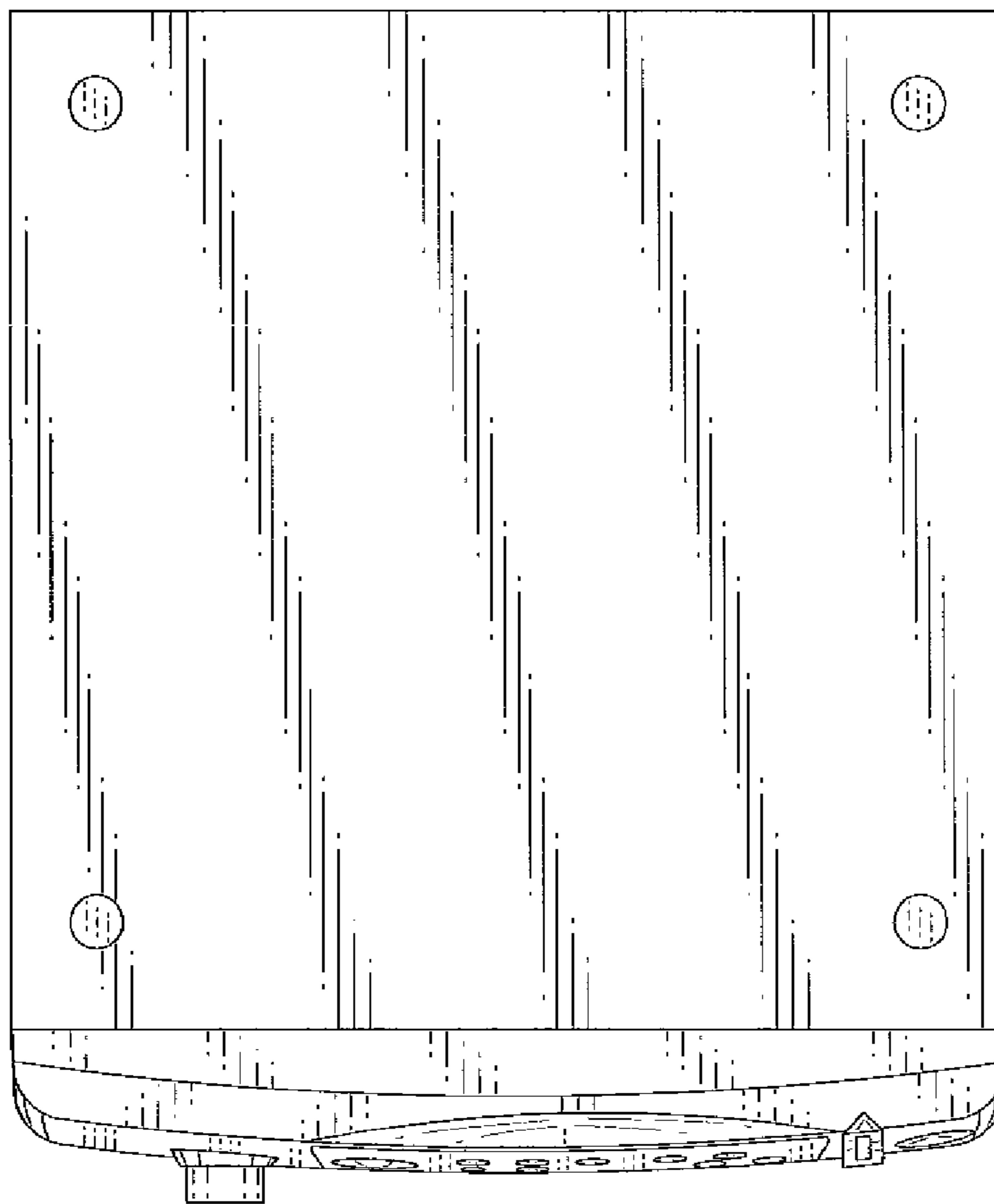


FIG.5

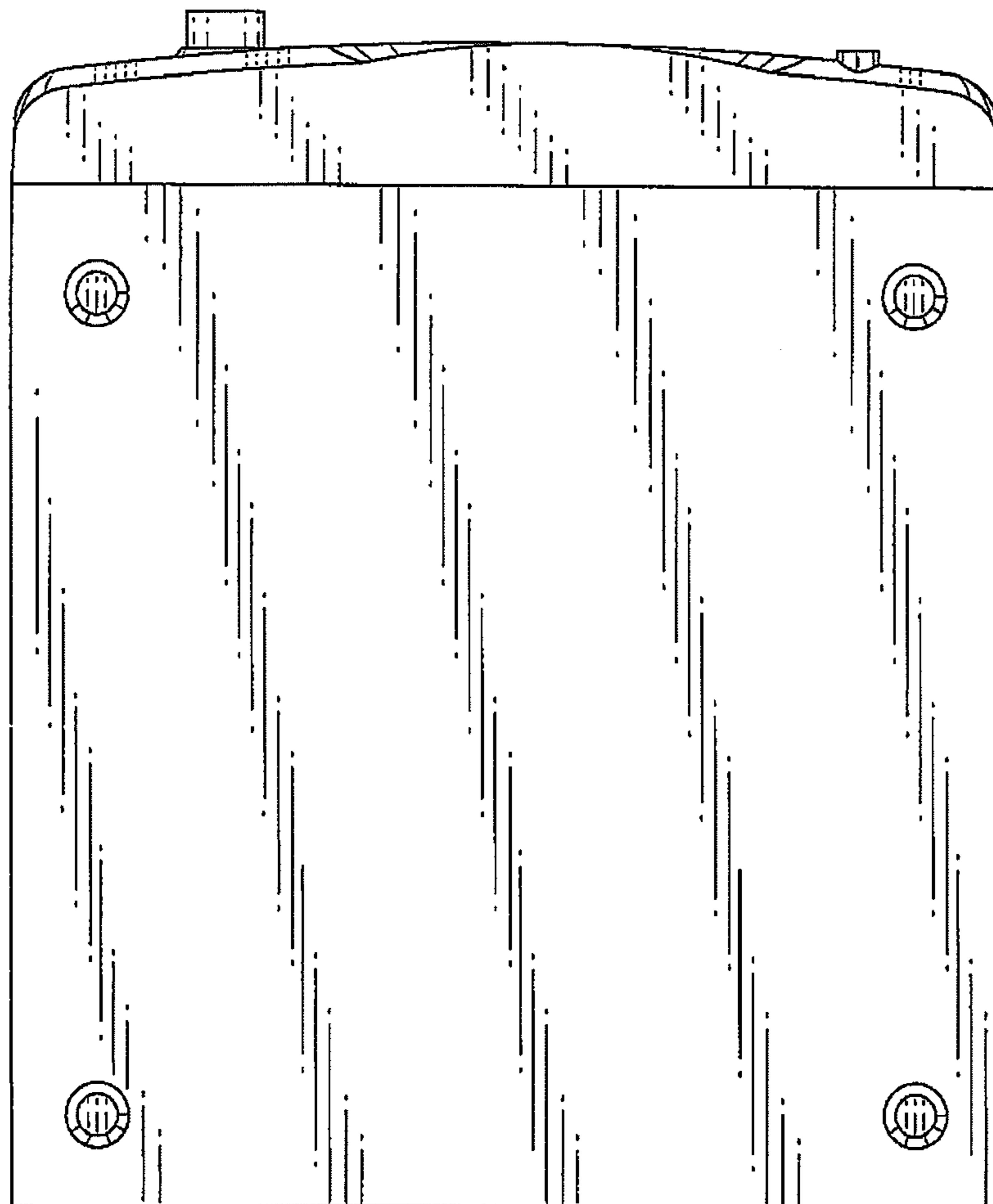


FIG.6

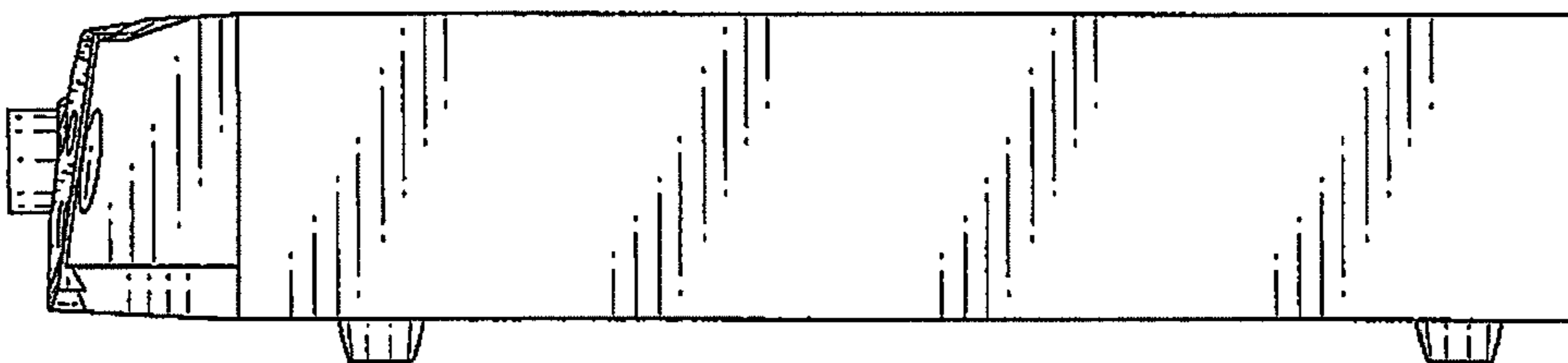


FIG. 7

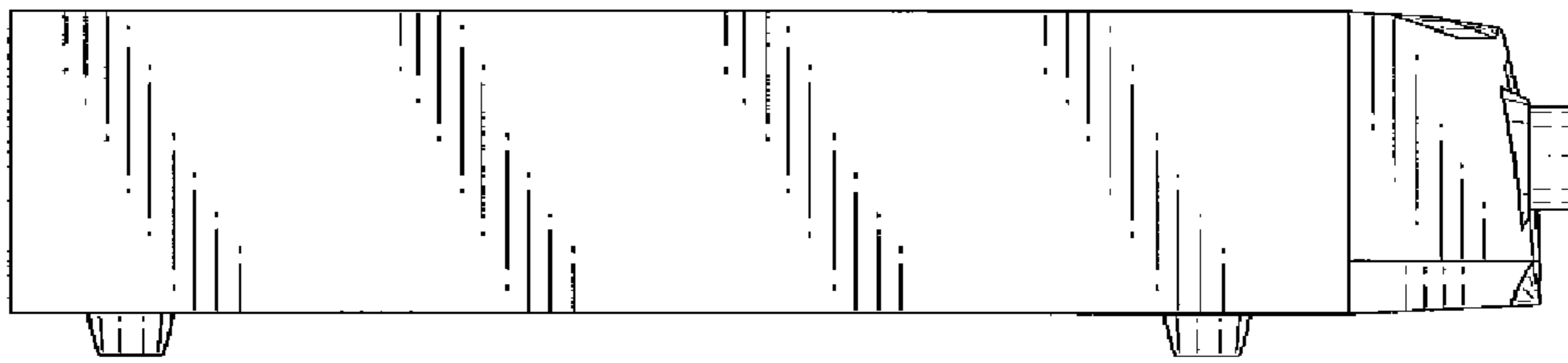


FIG.8

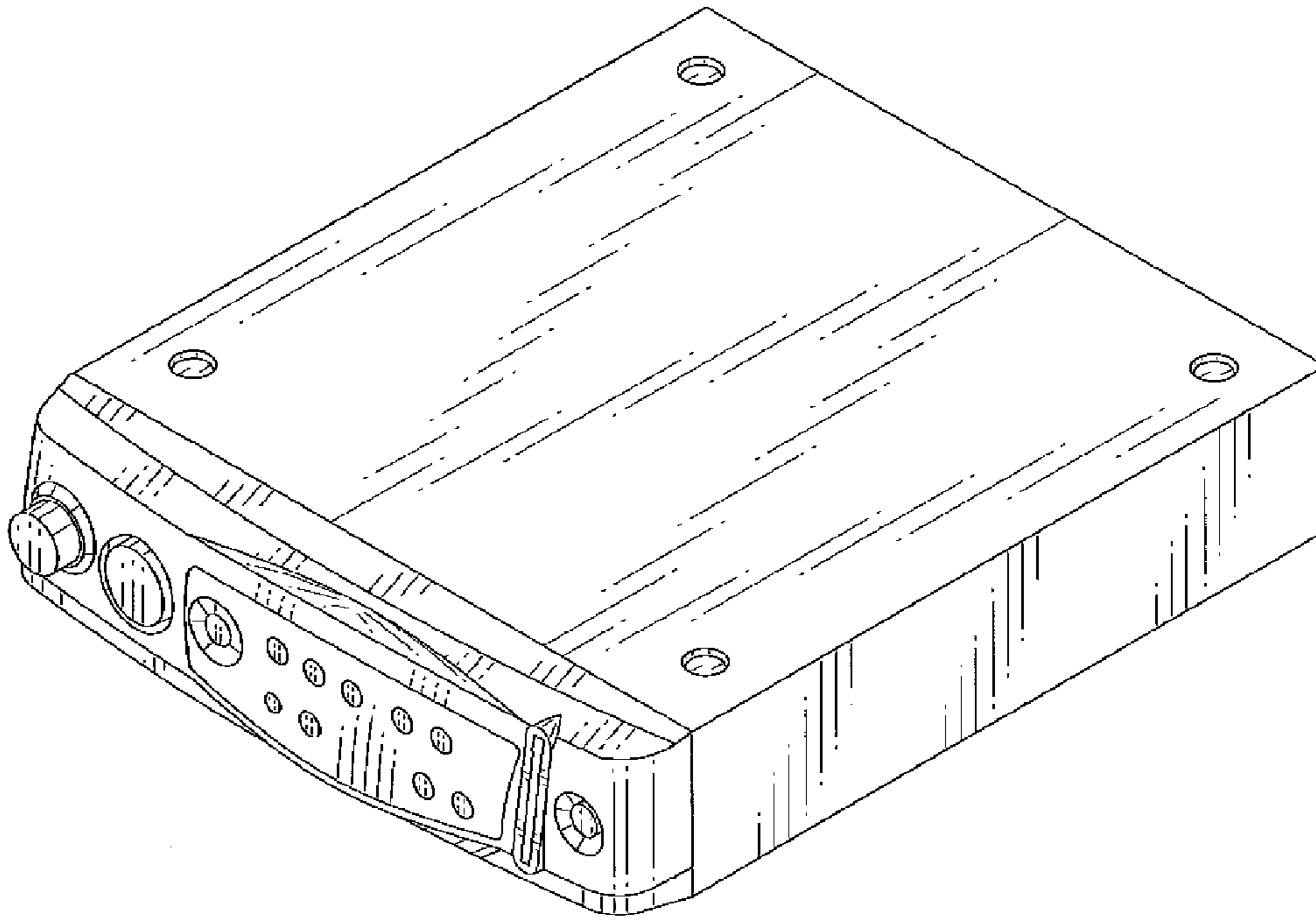


FIG.9

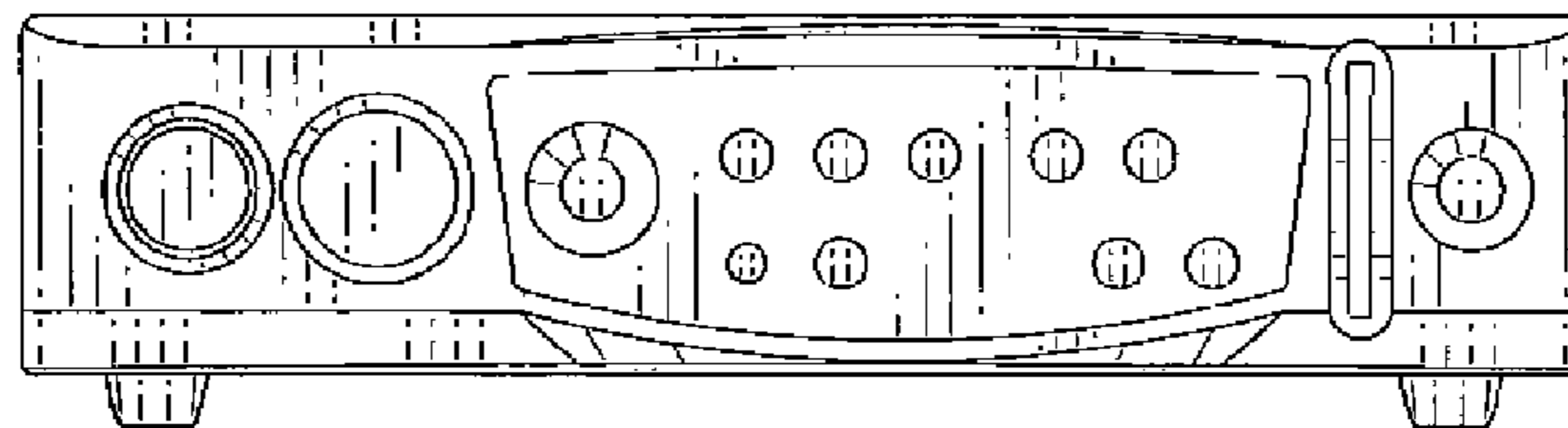


FIG.10

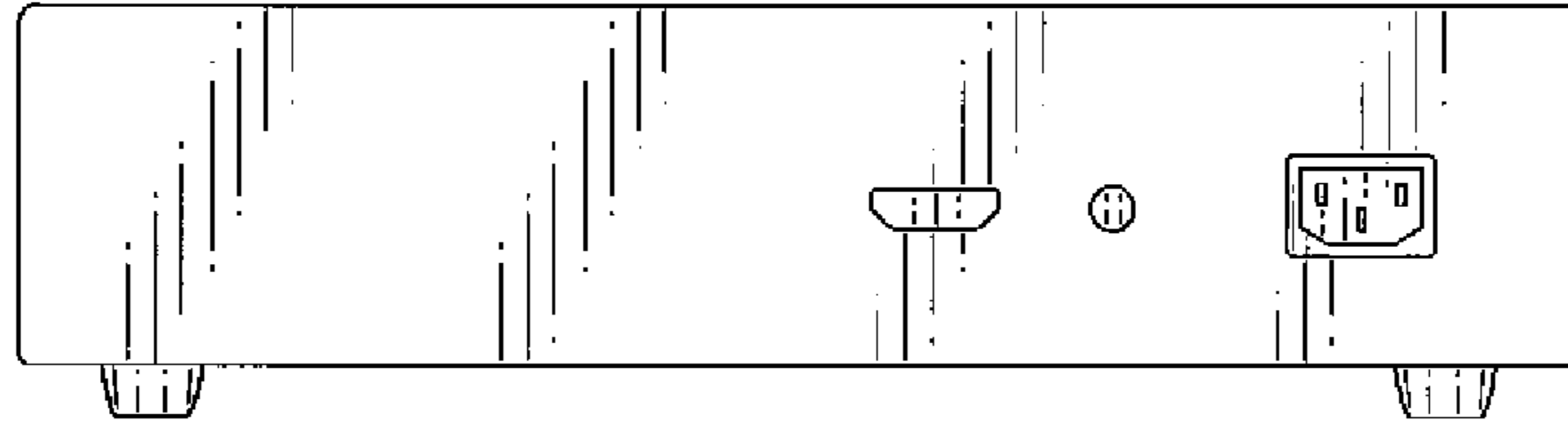


FIG.11

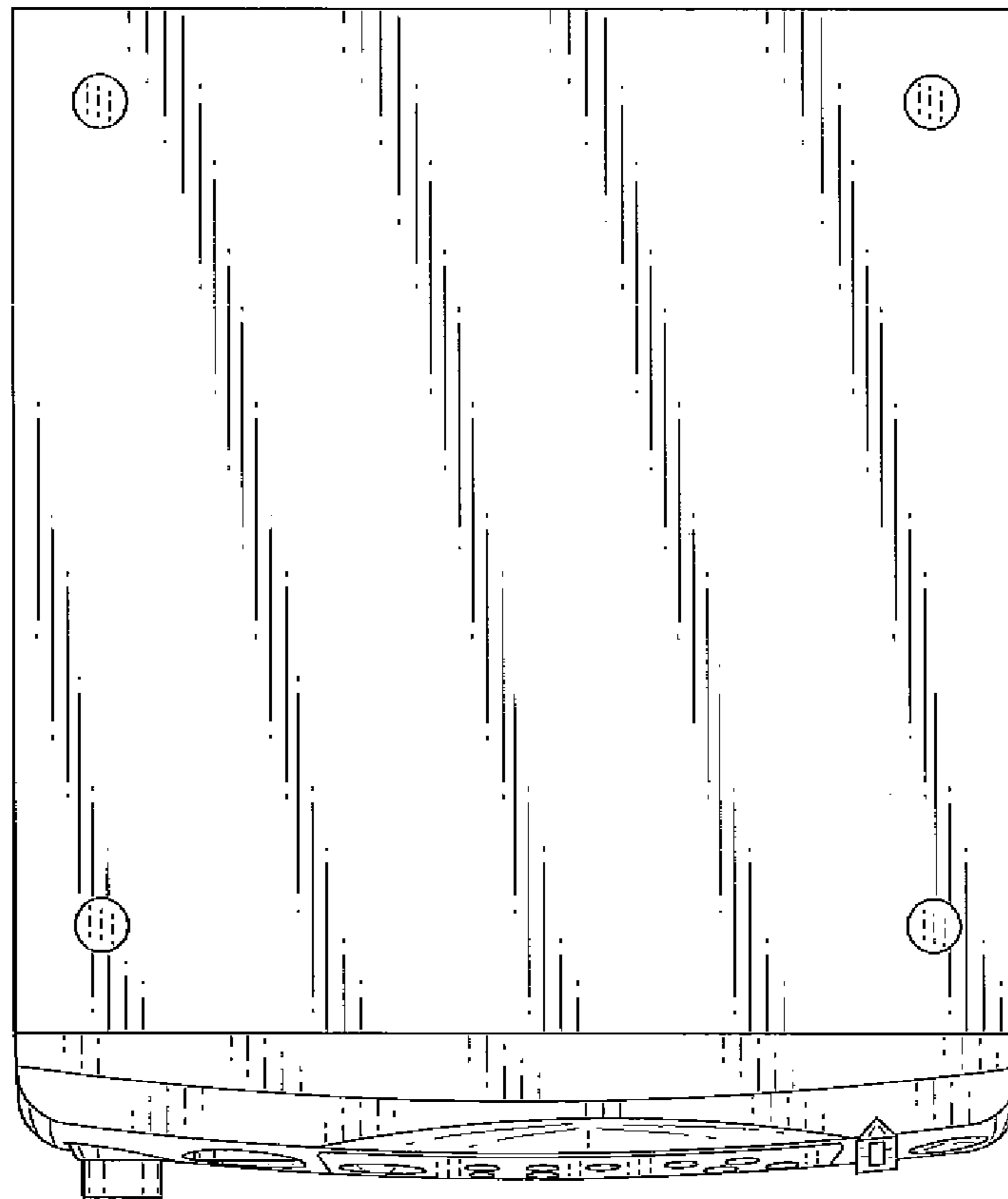


FIG.12

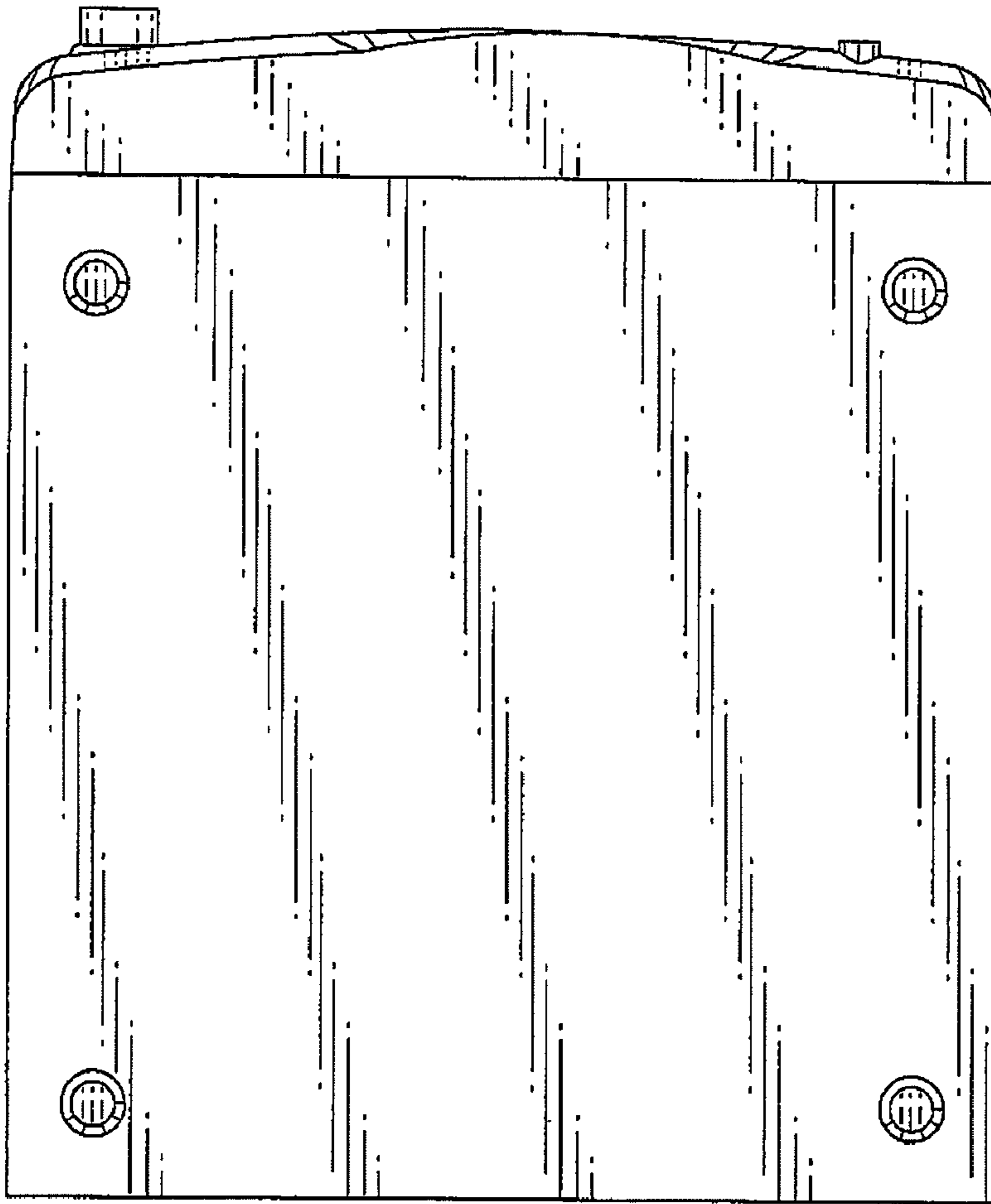


FIG.13

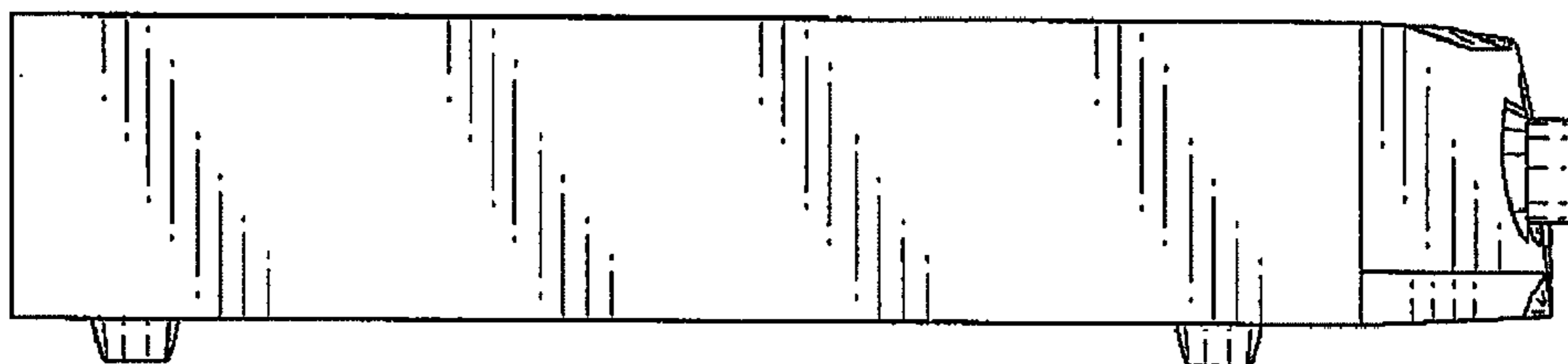


FIG.14

