



US00D598099S

(12) **United States Design Patent**  
**Halbig**

(10) **Patent No.:** **US D598,099 S**

(45) **Date of Patent:** **\*\* Aug. 11, 2009**

(54) **ENDOSCOPE**

(75) Inventor: **Joerg Halbig**, Constance (DE)

(73) Assignee: **Karl Storz GmbH & Co. KG** (DE)

(\*\*) Term: **14 Years**

(21) Appl. No.: **29/317,906**

(22) Filed: **May 9, 2008**

(30) **Foreign Application Priority Data**

Nov. 13, 2007 (EM) ..... 000825443

(51) **LOC (9) Cl.** ..... **24-02**

(52) **U.S. Cl.** ..... **D24/138**

(58) **Field of Classification Search** ..... D24/138,  
D24/137, 133; 600/164, 113, 135, 156, 138,  
600/121, 153, 131; 385/117

See application file for complete search history.

(56) **References Cited**

**U.S. PATENT DOCUMENTS**

- D286,566 S \* 11/1986 Vukovic ..... D24/138
- D463,553 S \* 9/2002 Topala ..... D24/138
- D533,941 S \* 12/2006 Furst et al. .... D24/138
- D536,790 S \* 2/2007 Michel et al. .... D24/137
- D548,340 S \* 8/2007 Michel et al. .... D24/138
- D583,470 S \* 12/2008 Kupferschmid ..... D24/138
- 2005/0049459 A1\* 3/2005 Hern ..... 600/121

2005/0234298 A1\* 10/2005 Kucklick et al. .... 600/156

\* cited by examiner

*Primary Examiner*—Ian Simmons

*Assistant Examiner*—Christopher Lee

(74) *Attorney, Agent, or Firm*—St. Onge Steward Johnston & Reens LLC

(57) **CLAIM**

The ornamental design for an endoscope, as shown and described.

**DESCRIPTION**

FIG. 1 is a front perspective view of an endoscope in accordance with the new design;

FIG. 2 is a left side view thereof;

FIG. 3 is a right side view thereof;

FIG. 4 is a bottom view thereof;

FIG. 5 is a top view thereof;

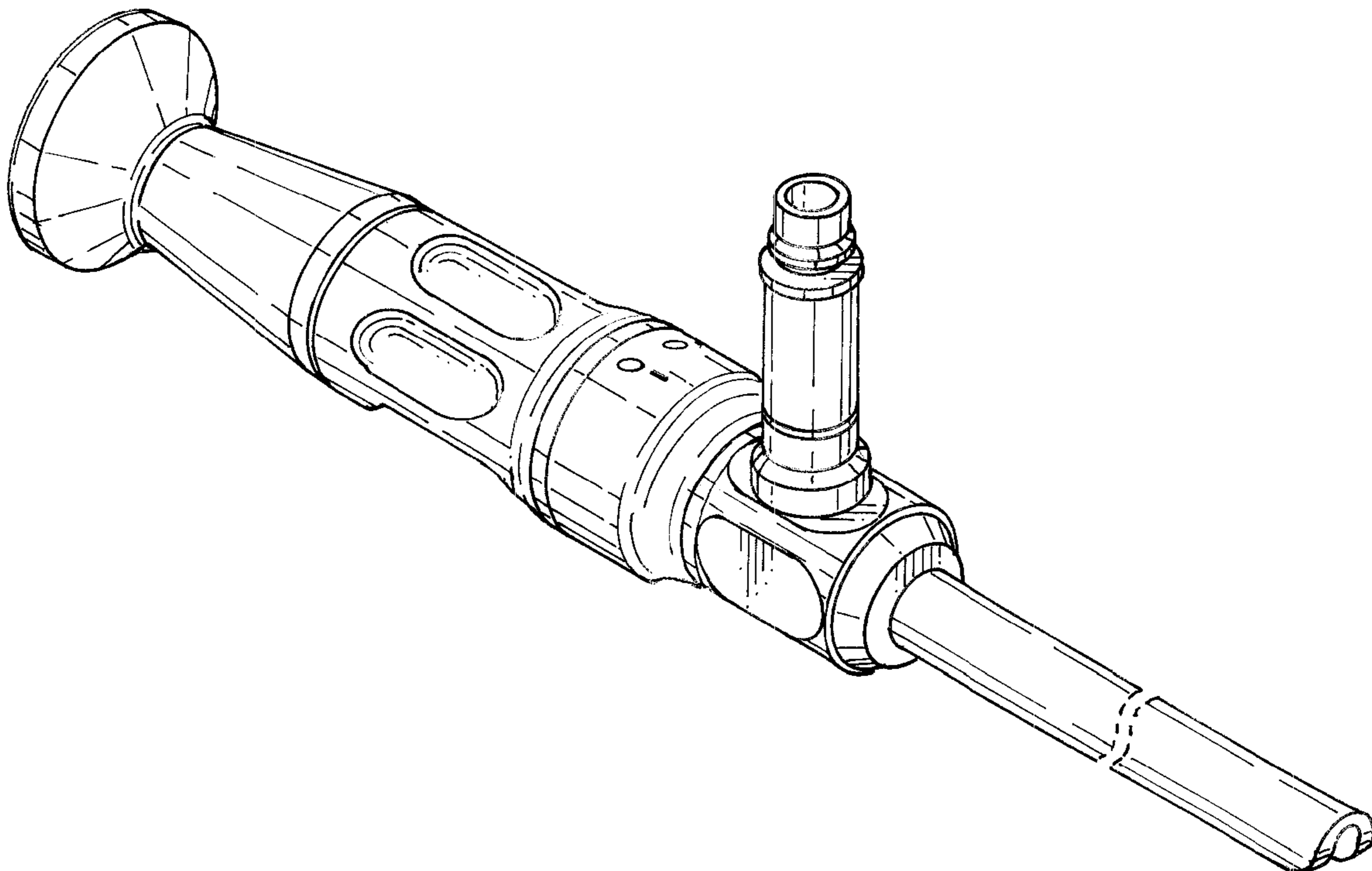
FIG. 6 is a front view thereof; and,

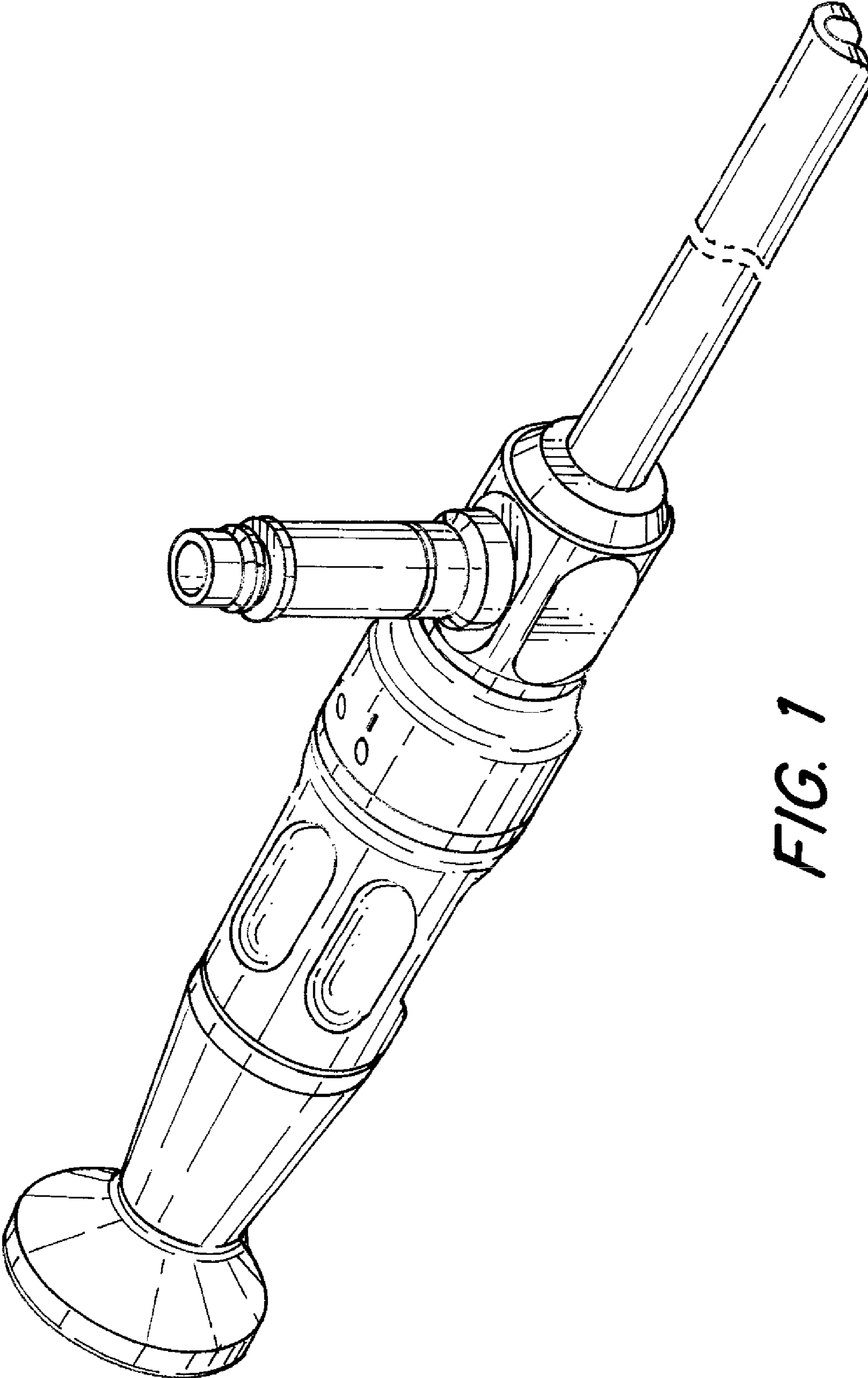
FIG. 7 is a rear view thereof.

The center shaft portion of an endoscope in FIGS. 1–5 is shown broken away to show indeterminate length and for ease of illustration.

The broken line showing the front end portion of FIGS. 4 and 6 is for the purpose of illustrating environmental structure and forms no part of the claimed design.

**1 Claim, 4 Drawing Sheets**





**FIG. 1**

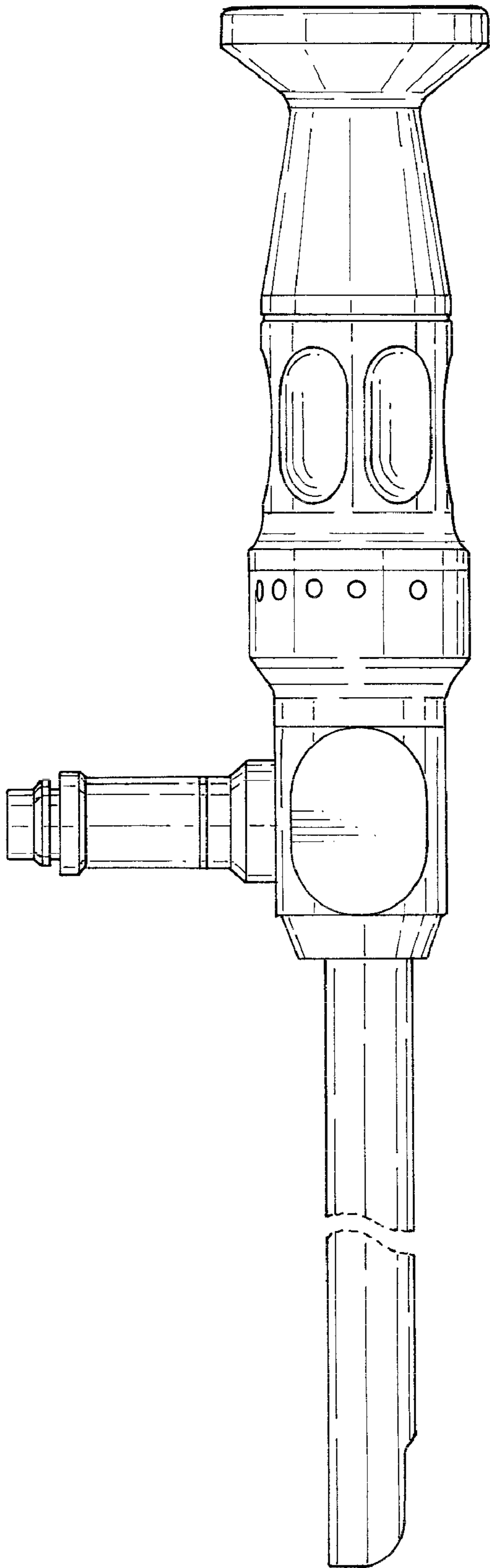


FIG. 3

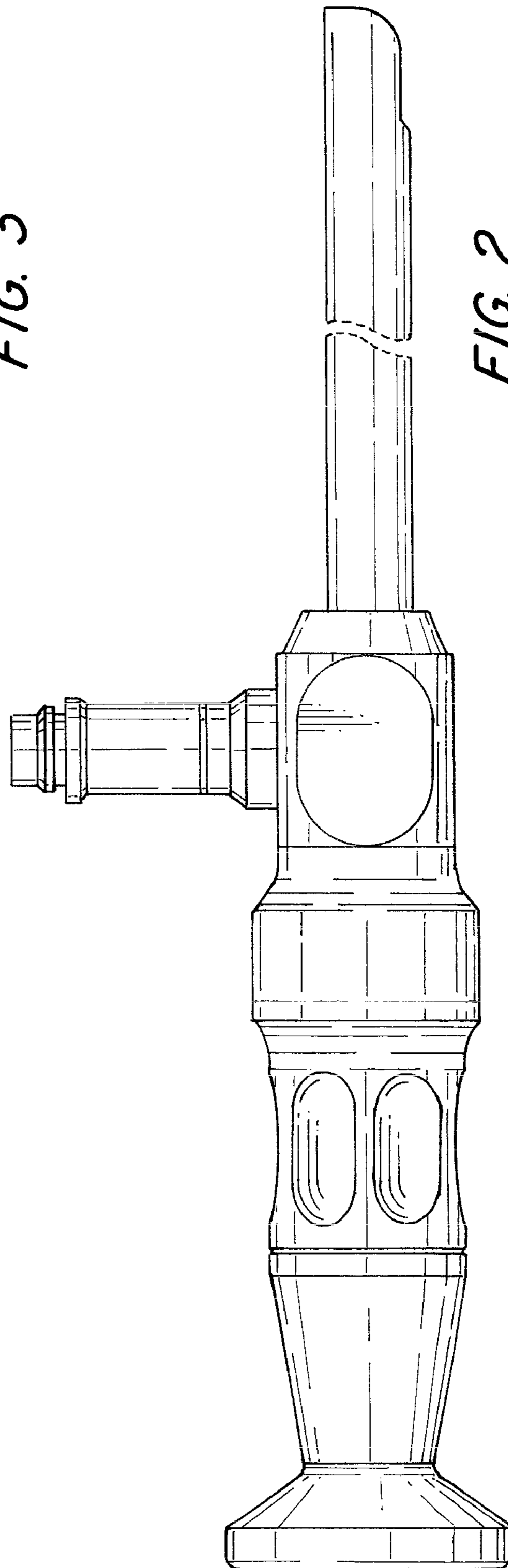
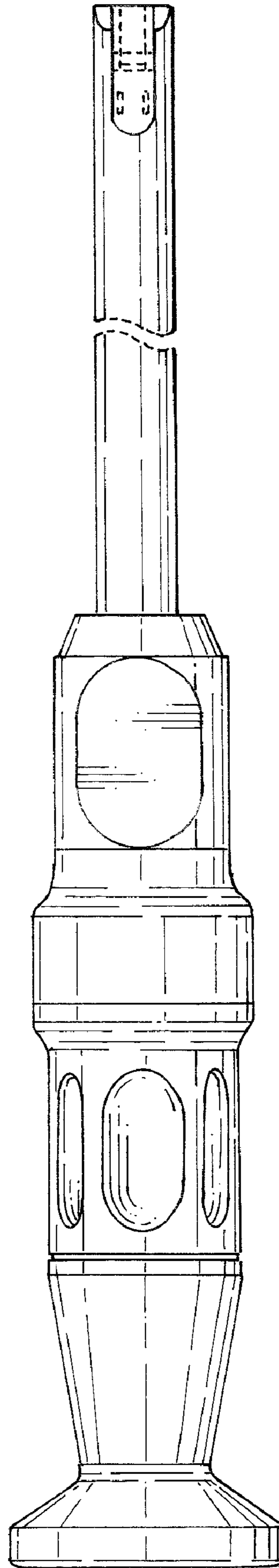
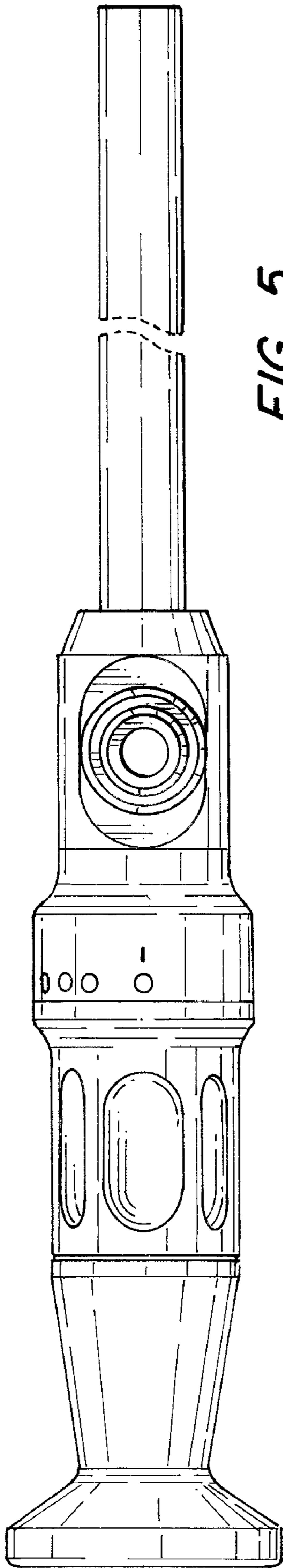
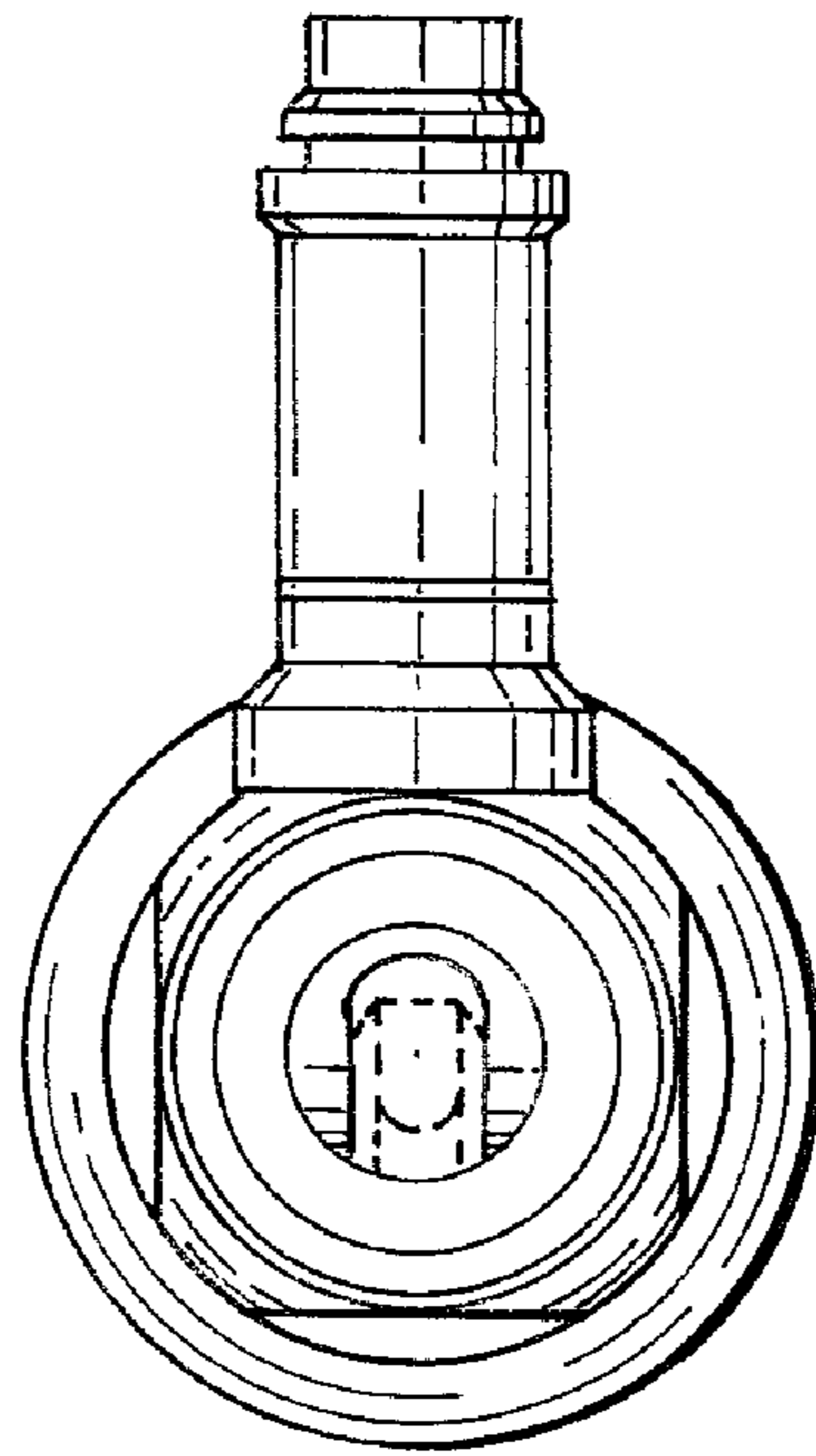
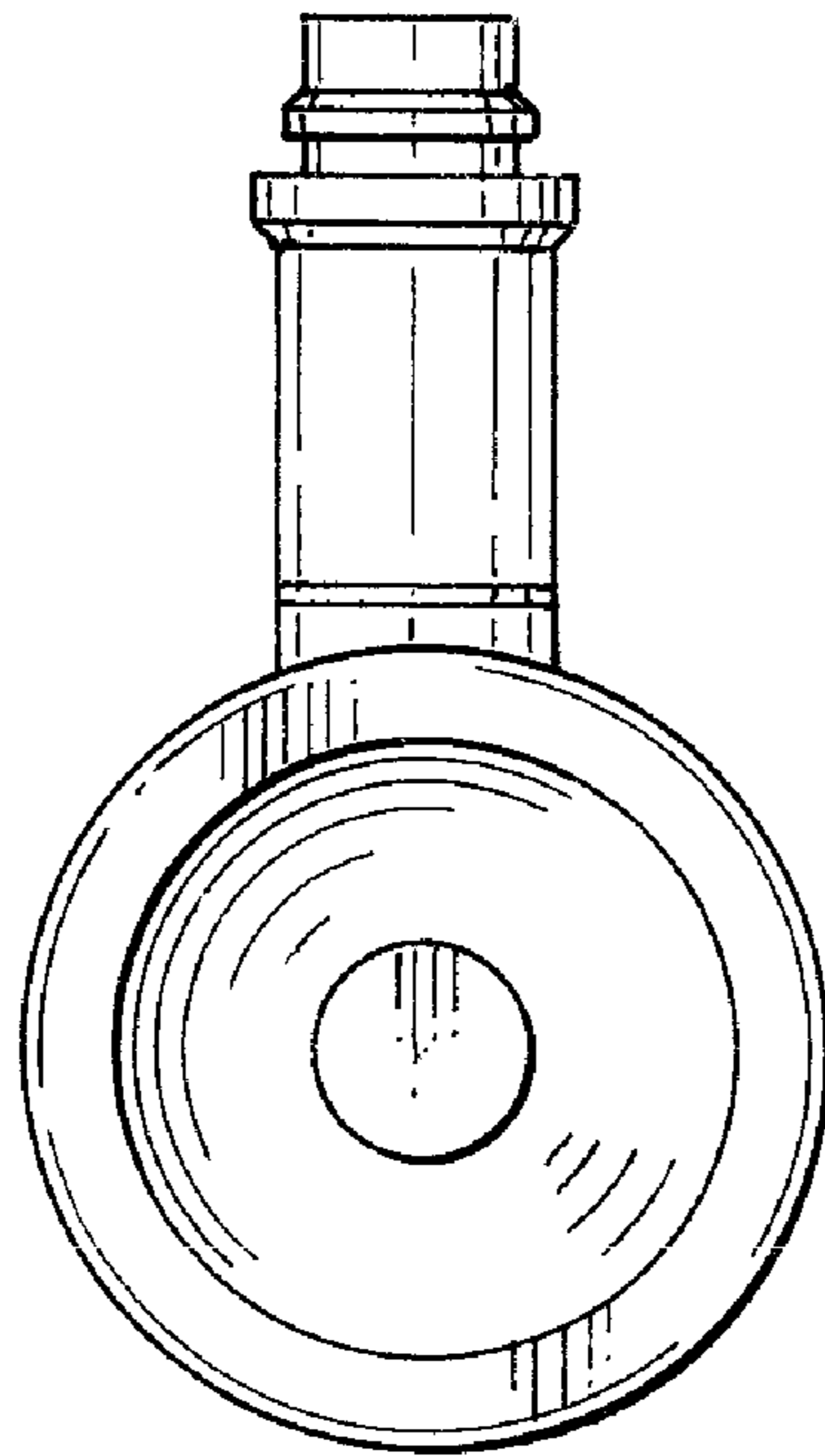


FIG. 2





*FIG. 6*



*FIG. 7*