



US00D598097S

(12) **United States Design Patent**
Amano

(10) **Patent No.:** **US D598,097 S**

(45) **Date of Patent:** **** Aug. 11, 2009**

(54) **INDUSTRIAL ENDOSCOPIC OBSERVATION DEVICE**

(75) Inventor: **Hirotooshi Amano**, Kodaira (JP)

(73) Assignee: **Olympus Corporation**, Tokyo (JP)

(**) Term: **14 Years**

(21) Appl. No.: **29/283,294**

(22) Filed: **Aug. 9, 2007**

(30) **Foreign Application Priority Data**

Feb. 28, 2007 (JP) 2007-005150

(51) **LOC (9) Cl.** **24-02**

(52) **U.S. Cl.** **D24/138**

(58) **Field of Classification Search** D24/107,
D24/138, 186, 232; 600/101, 103, 118, 144,
600/160, 178-179; D3/203.3, 273; 206/305,
206/363, 438

See application file for complete search history.

(56) **References Cited**

U.S. PATENT DOCUMENTS

| | | | | |
|--------------|------|--------|-----------------|---------|
| 5,323,899 | A * | 6/1994 | Strom et al. | 206/363 |
| 6,066,089 | A * | 5/2000 | Costello et al. | 600/102 |
| D460,559 | S * | 7/2002 | Knieriem et al. | D24/186 |
| D479,604 | S * | 9/2003 | Kimura et al. | D24/138 |
| 7,108,656 | B2 * | 9/2006 | Fujikawa et al. | 600/102 |
| D534,654 | S * | 1/2007 | Hayamizu | D24/138 |
| D564,661 | S * | 3/2008 | Hayashi | D24/138 |
| 2008/0207993 | A1 * | 8/2008 | Maruyama et al. | 600/101 |

2008/0207998 A1 * 8/2008 Maruyama 600/114
2008/0275302 A1 * 11/2008 Hosaka 600/139

* cited by examiner

Primary Examiner—Ian Simmons

Assistant Examiner—Wan Laymon

(74) *Attorney, Agent, or Firm*—Hogan & Hartson LLP

(57) **CLAIM**

The ornamental design for an industrial endoscopic observation device, as shown and described.

DESCRIPTION

FIG. 1 is a front, top and left side perspective view of an industrial endoscopic observation device showing my new design;

FIG. 2 is a front, top and left side perspective view where the monitor shown in an opened position thereof;

FIG. 3 is a front, top and right side perspective view thereof;

FIG. 4 is a front elevational view thereof;

FIG. 5 is a rear elevational view thereof;

FIG. 6 is a top plan view thereof;

FIG. 7 is a bottom plan view thereof;

FIG. 8 is a right side elevational view thereof; and,

FIG. 9 is a left side elevational view thereof.

The present article is an industrial endoscopic observation device which has a monitor for observing and an operation panel and in which requisite electric circuits and battery are stored.

1 Claim, 8 Drawing Sheets

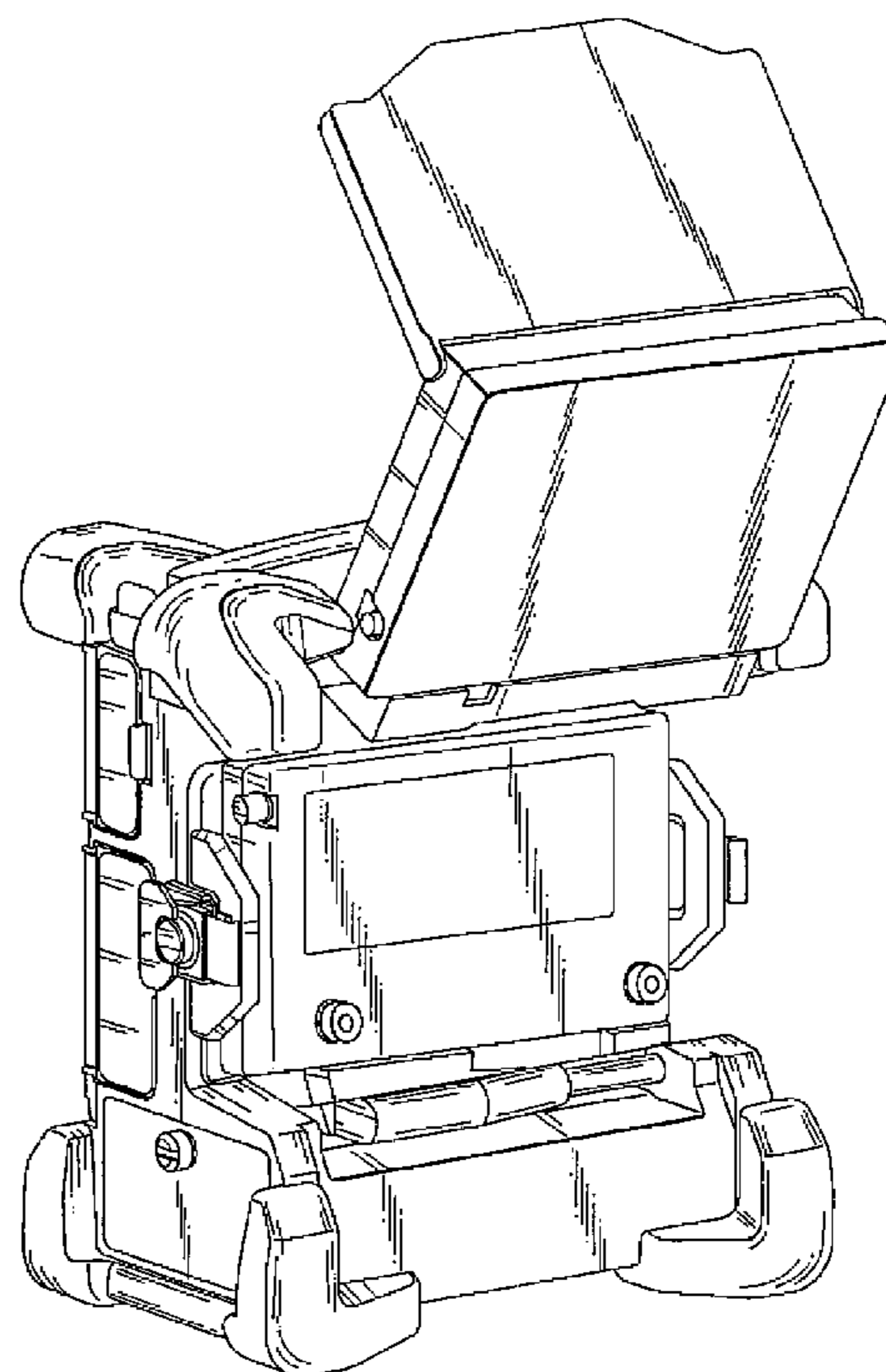
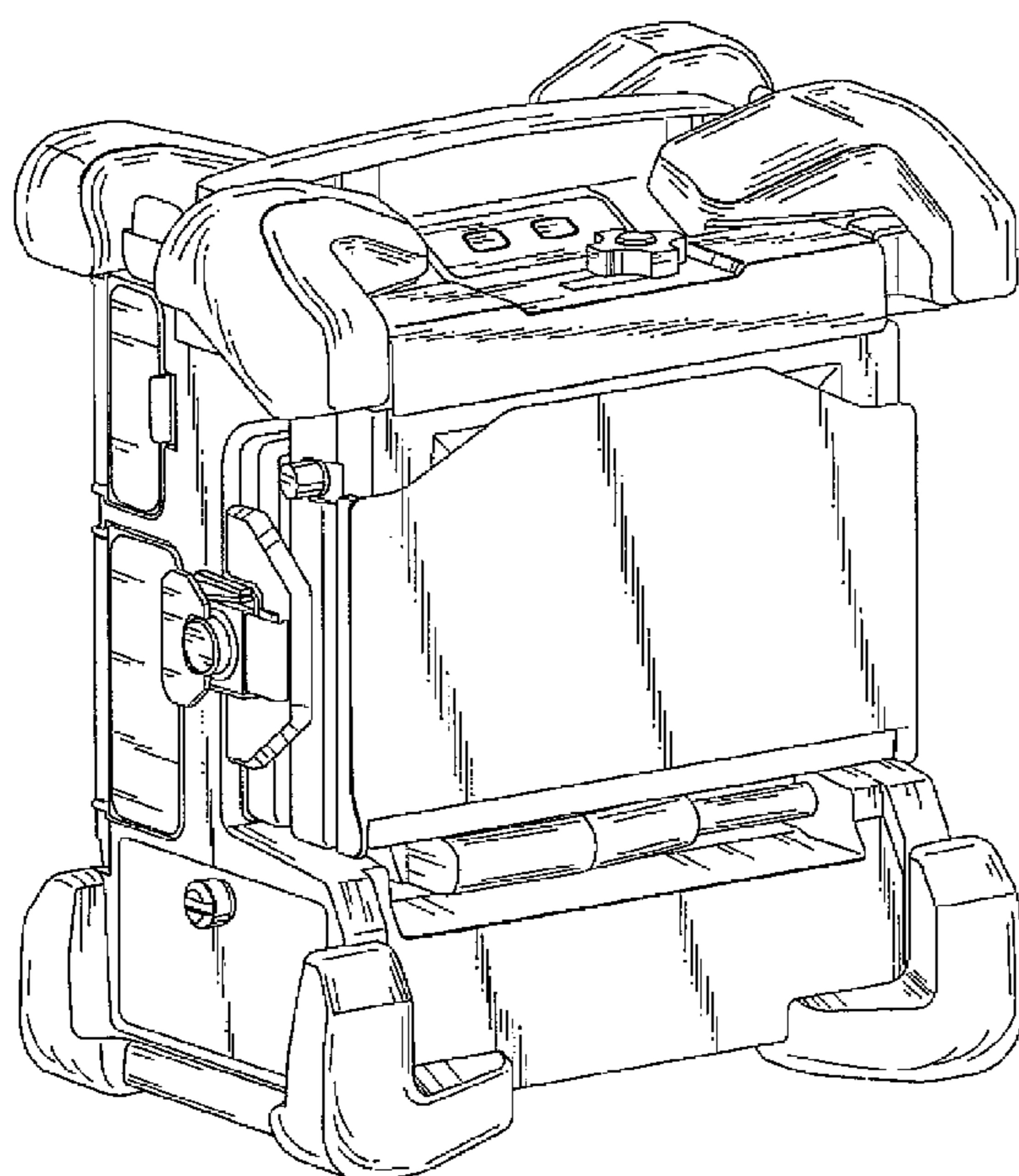


FIG. 1

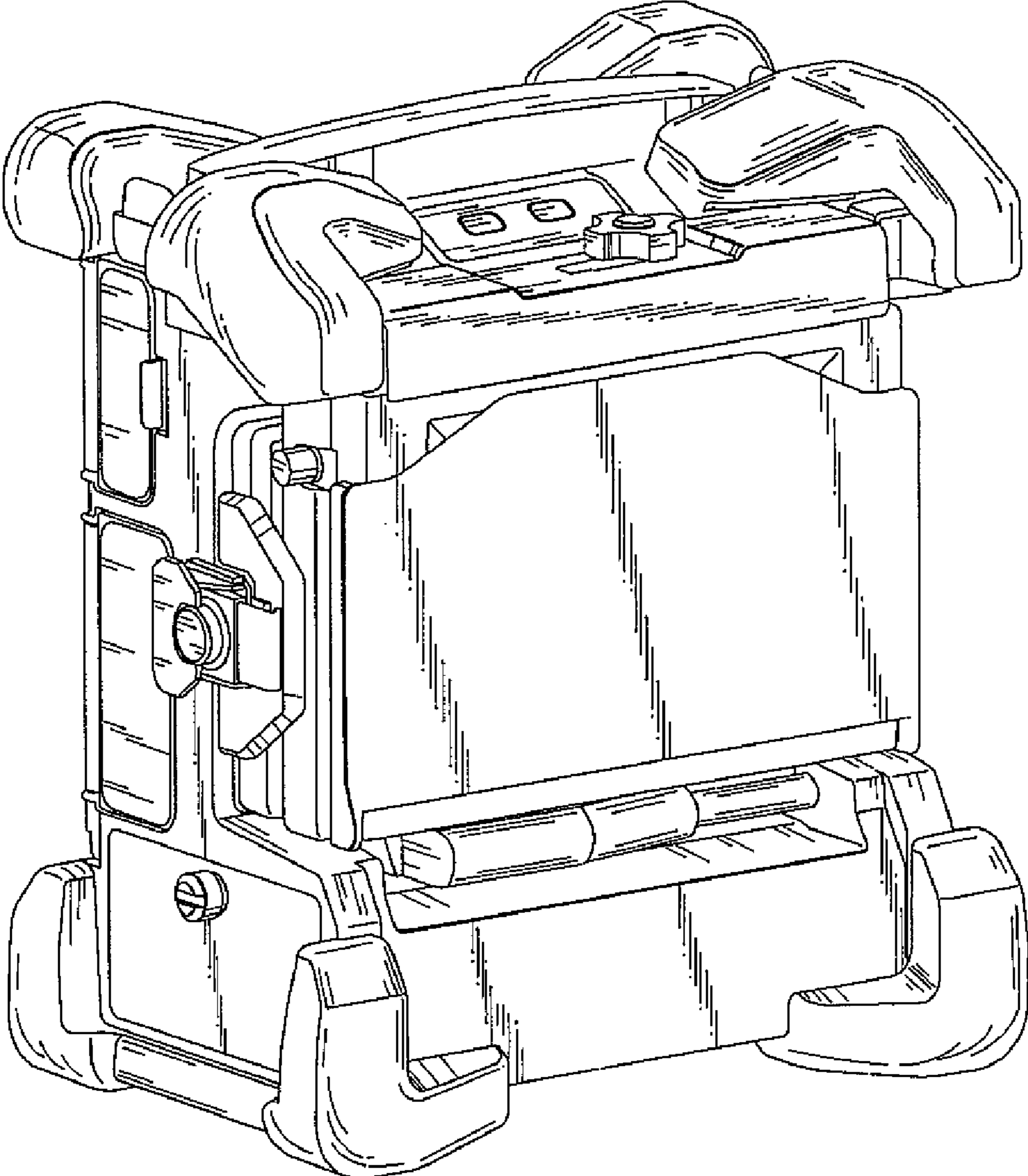


FIG.2

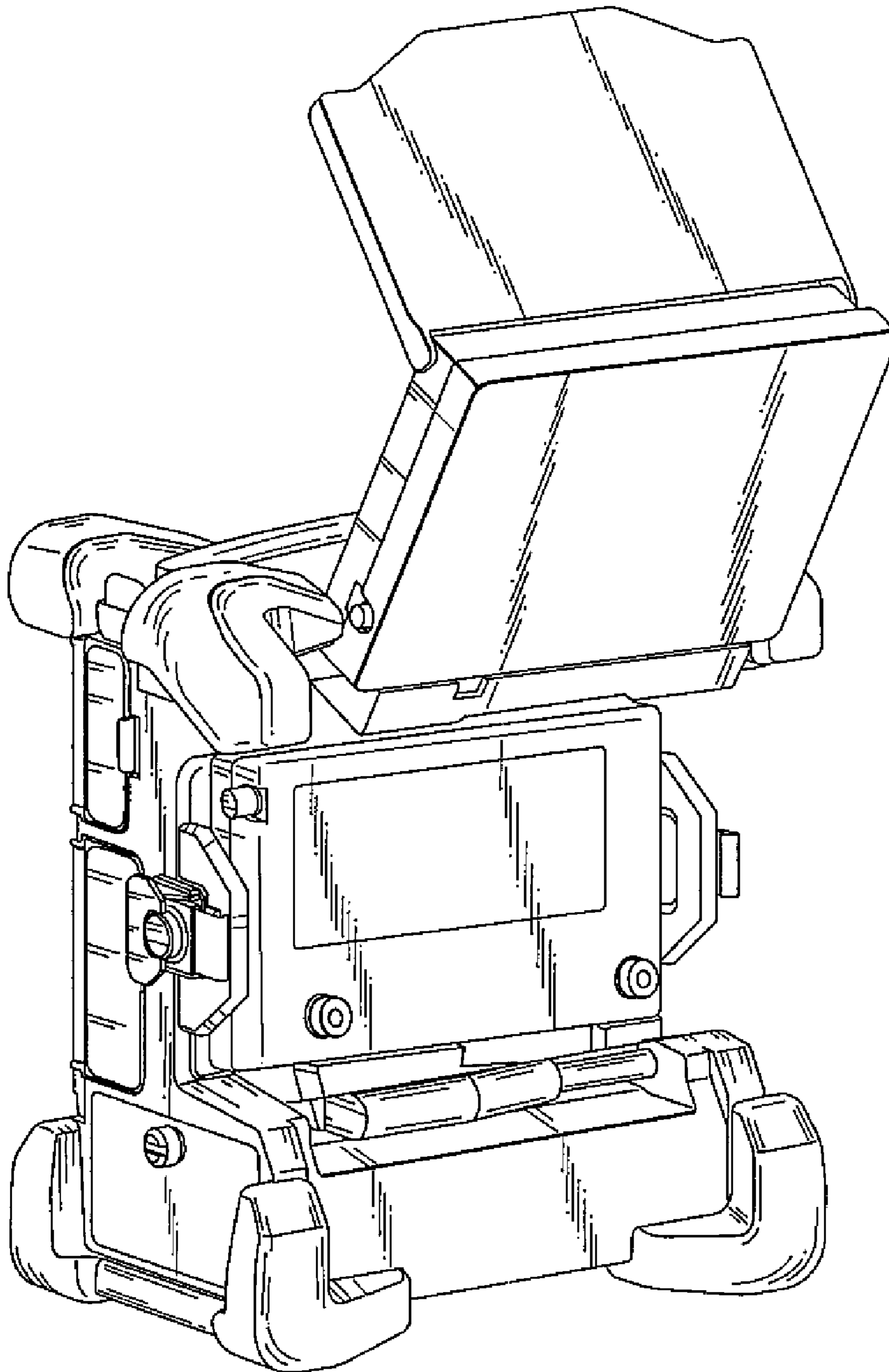


FIG.3

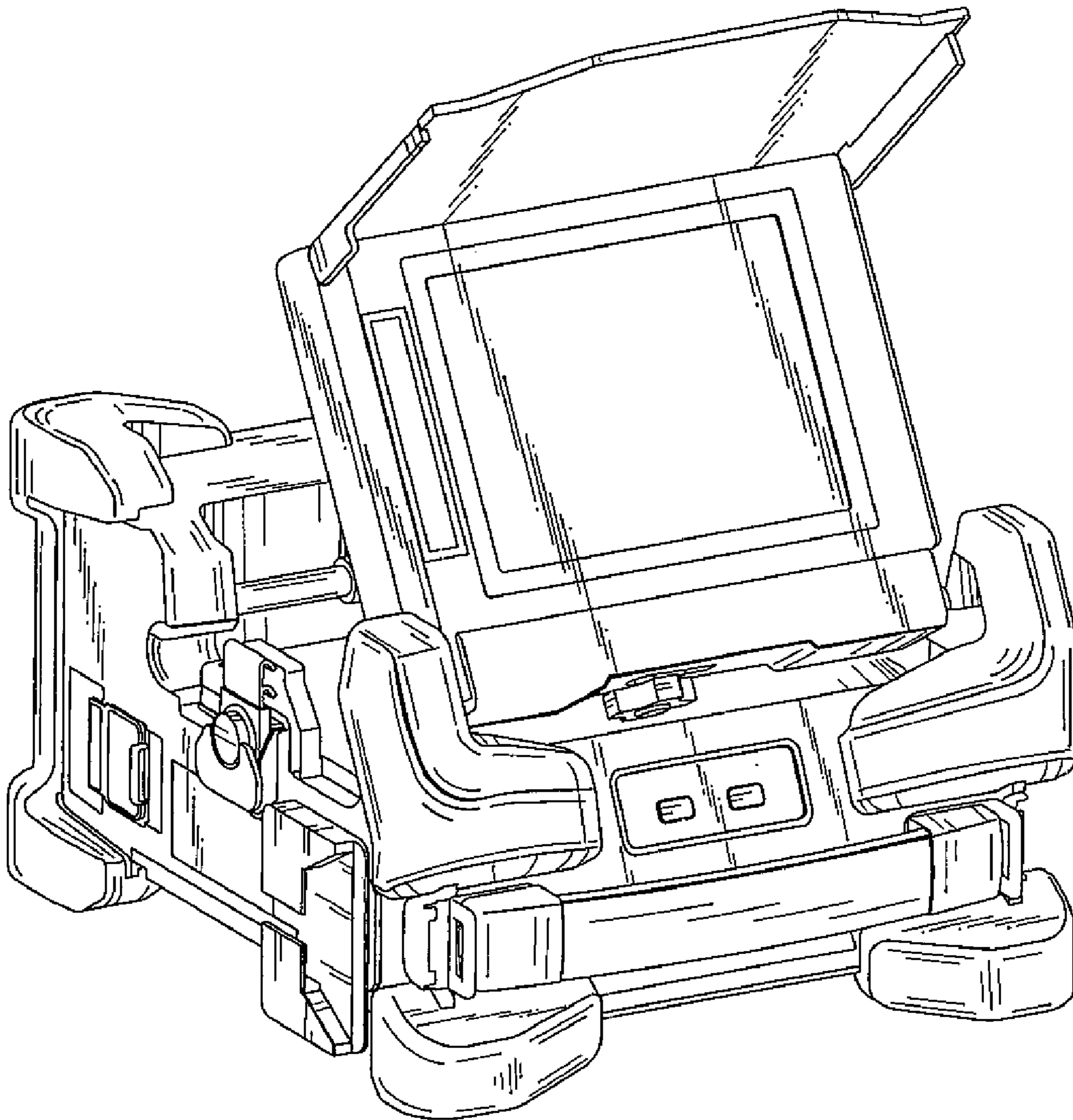


FIG. 4

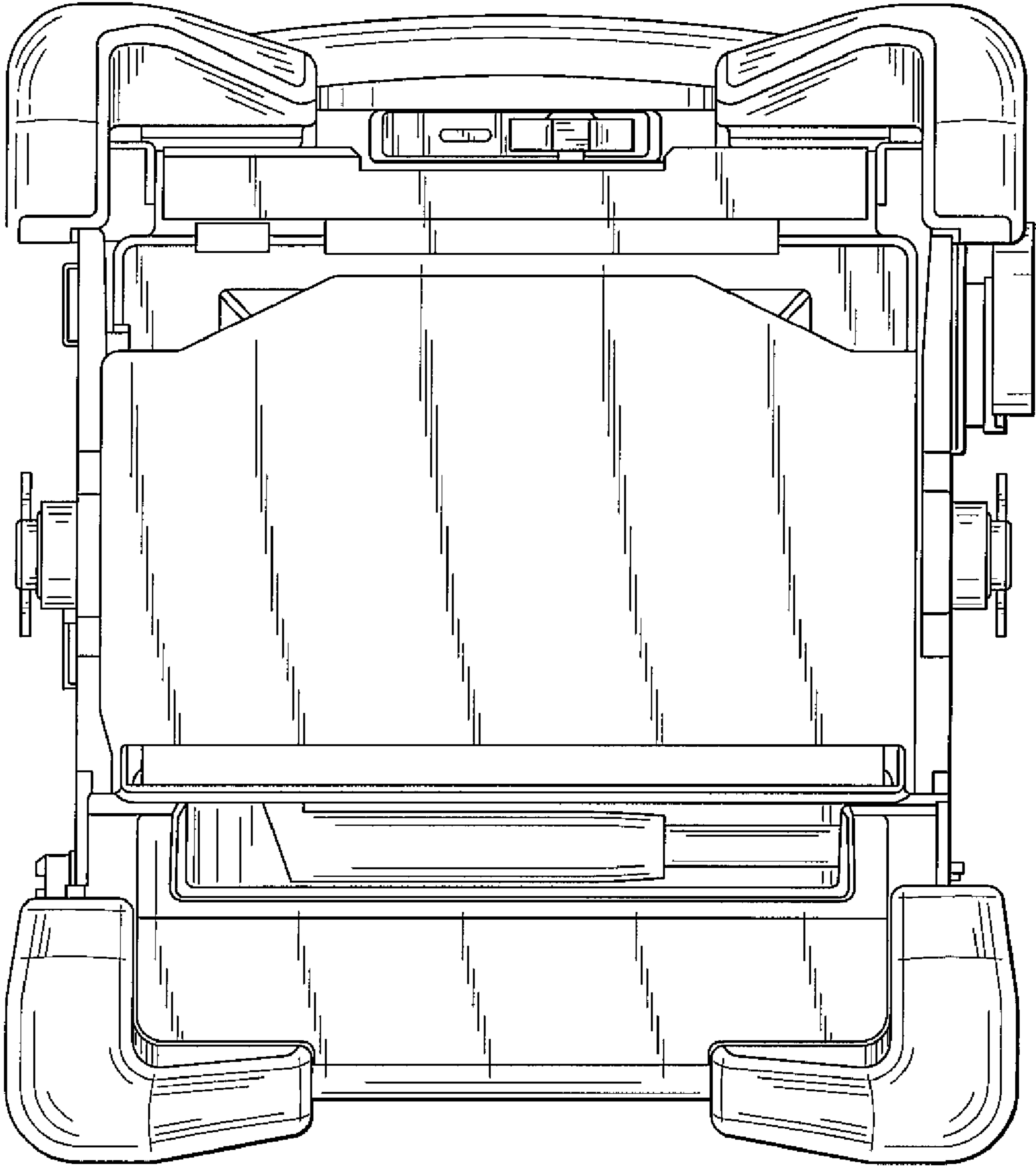


FIG.5

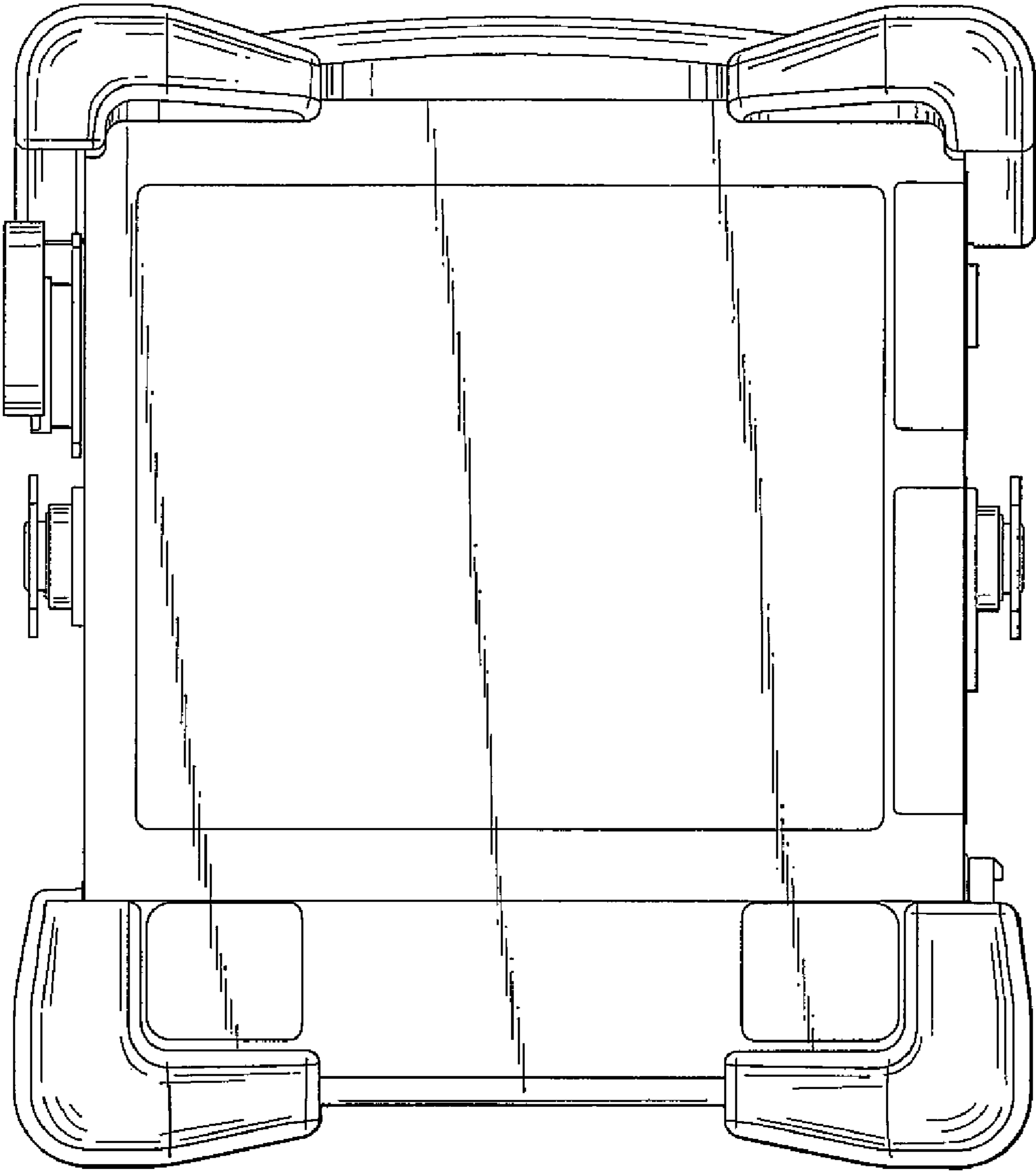


FIG.6

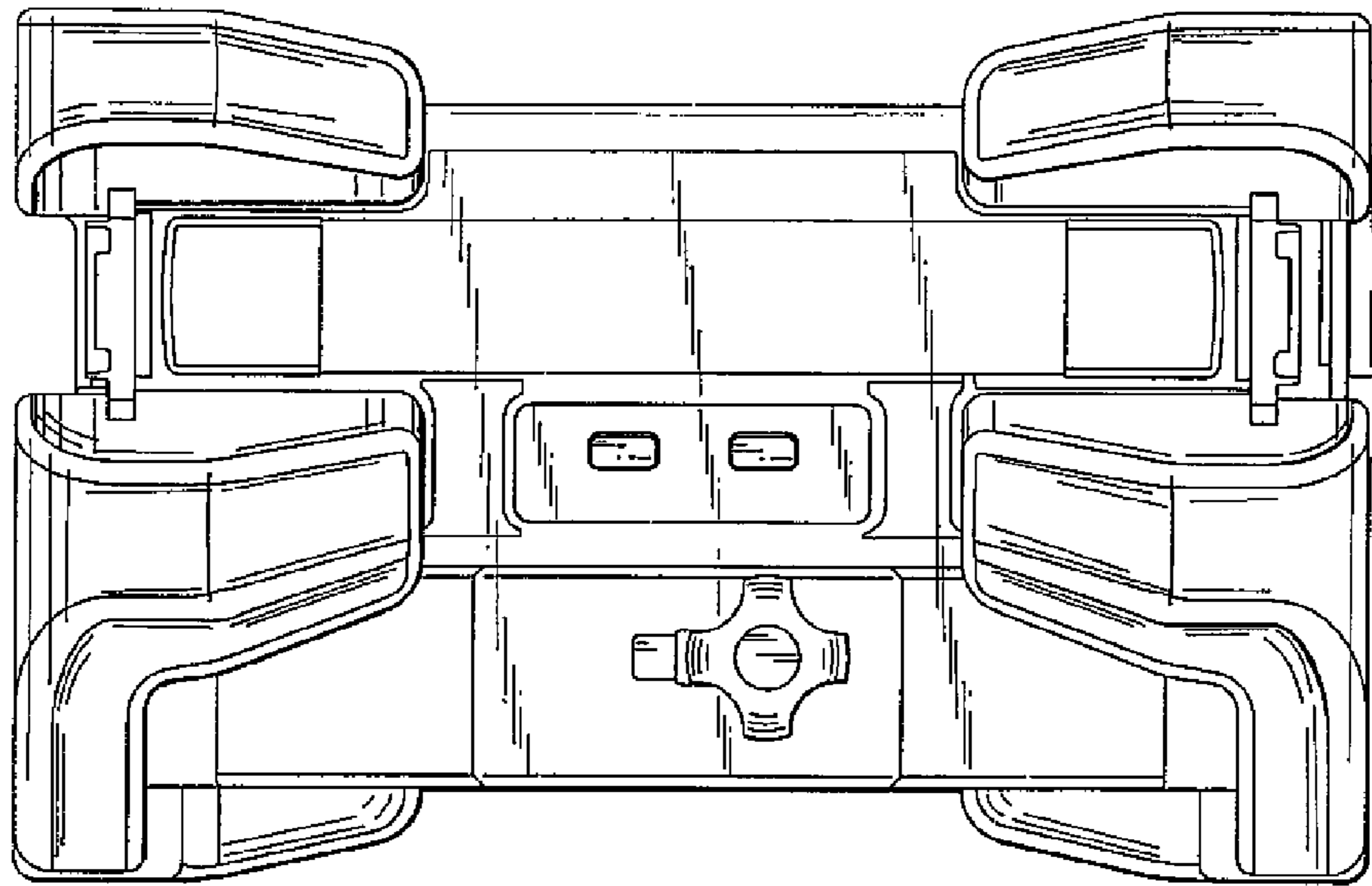


FIG.7

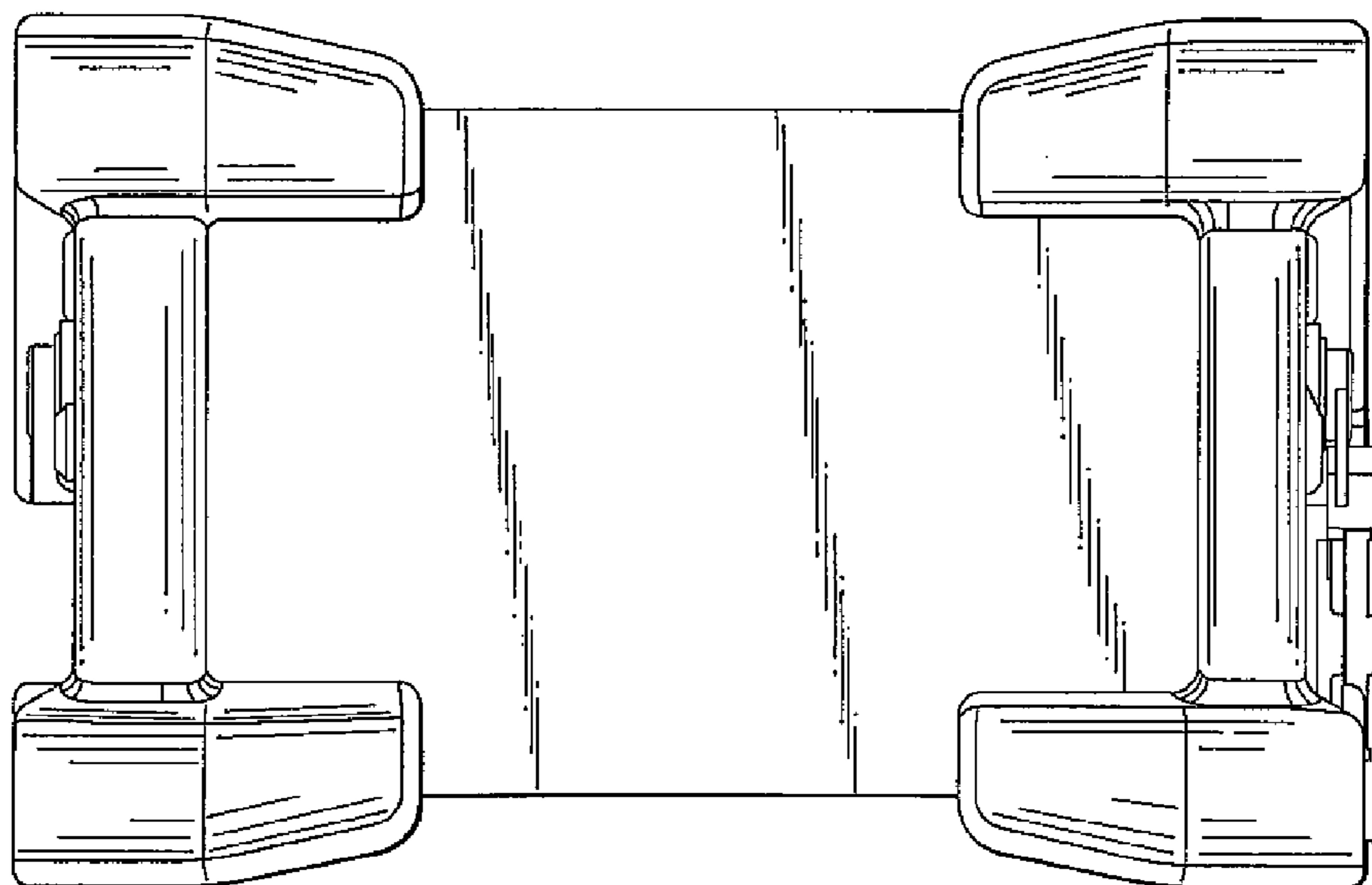


FIG. 8

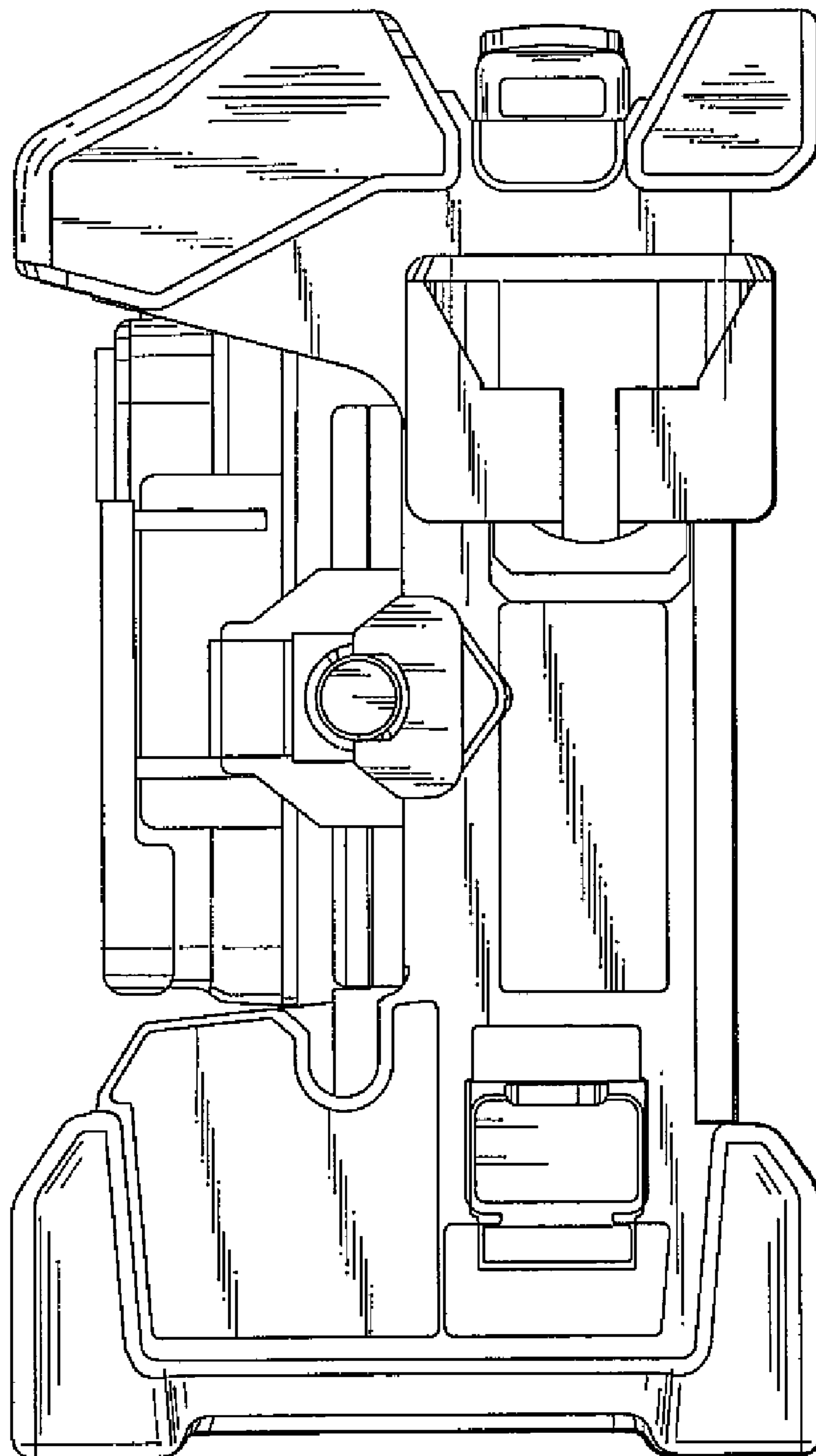


FIG.9

