



US00D598095S

(12) **United States Design Patent**
Hansen

(10) **Patent No.:** **US D598,095 S**

(45) **Date of Patent:** **** Aug. 11, 2009**

(54) **TATTOO MACHINE GRIP**

(76) Inventor: **Rick L. Hansen**, 6627 Live Oak Rd.,
Indianapolis, IN (US) 46214

(**) Term: **14 Years**

(21) Appl. No.: **29/326,107**

(22) Filed: **Oct. 11, 2008**

(51) **LOC (9) Cl.** **24-02**

(52) **U.S. Cl.** **D24/133; D24/144**

(58) **Field of Classification Search** D24/133,
D24/144, 170; D14/431; D28/7; D8/30;
D19/55, 49, 54, 35; 606/185, 186; 362/109,
362/118, 119, 120

See application file for complete search history.

(56) **References Cited**

U.S. PATENT DOCUMENTS

D294,519	S	*	3/1988	Hardy, Jr.	D24/144
4,891,489	A	*	1/1990	Bollinger et al.	219/121.48
5,471,102	A	*	11/1995	Becker et al.	310/50
D380,046	S	*	6/1997	Domanowski	D24/144
D496,842	S	*	10/2004	Chen et al.	D8/30
D549,779	S	*	8/2007	Shimizu	D19/55
7,393,114	B2	*	7/2008	Devlin	362/109

* cited by examiner

Primary Examiner—Ian Simmons
Assistant Examiner—Christopher Lee

(57) **CLAIM**

The ornamental design for a tattoo machine grip, as shown and described.

DESCRIPTION

FIG. 1 is a front elevational view of the tattoo machine grip showing my new design;

FIG. 2 is a rear elevational view of the tattoo machine grip thereof;

FIG. 3 is a left-side elevational view of the tattoo machine grip thereof;

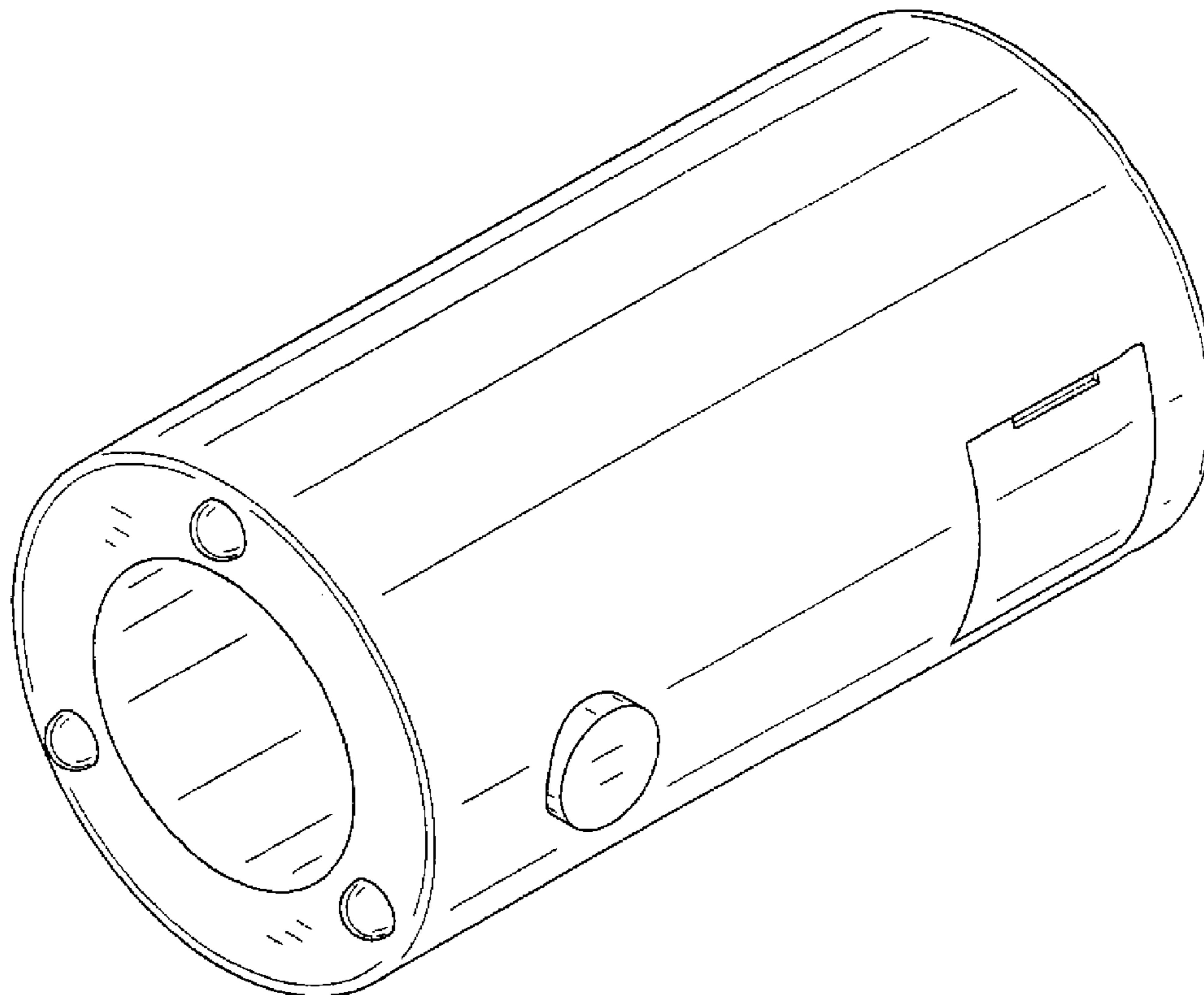
FIG. 4 is right side elevational view of the tattoo machine grip thereof;

FIG. 5 is a top plan view of the tattoo machine grip thereof;

FIG. 6 is a bottom plan view of the tattoo machine grip thereof; and,

FIG. 7 is a perspective view of the tattoo machine grip thereof.

1 Claim, 4 Drawing Sheets



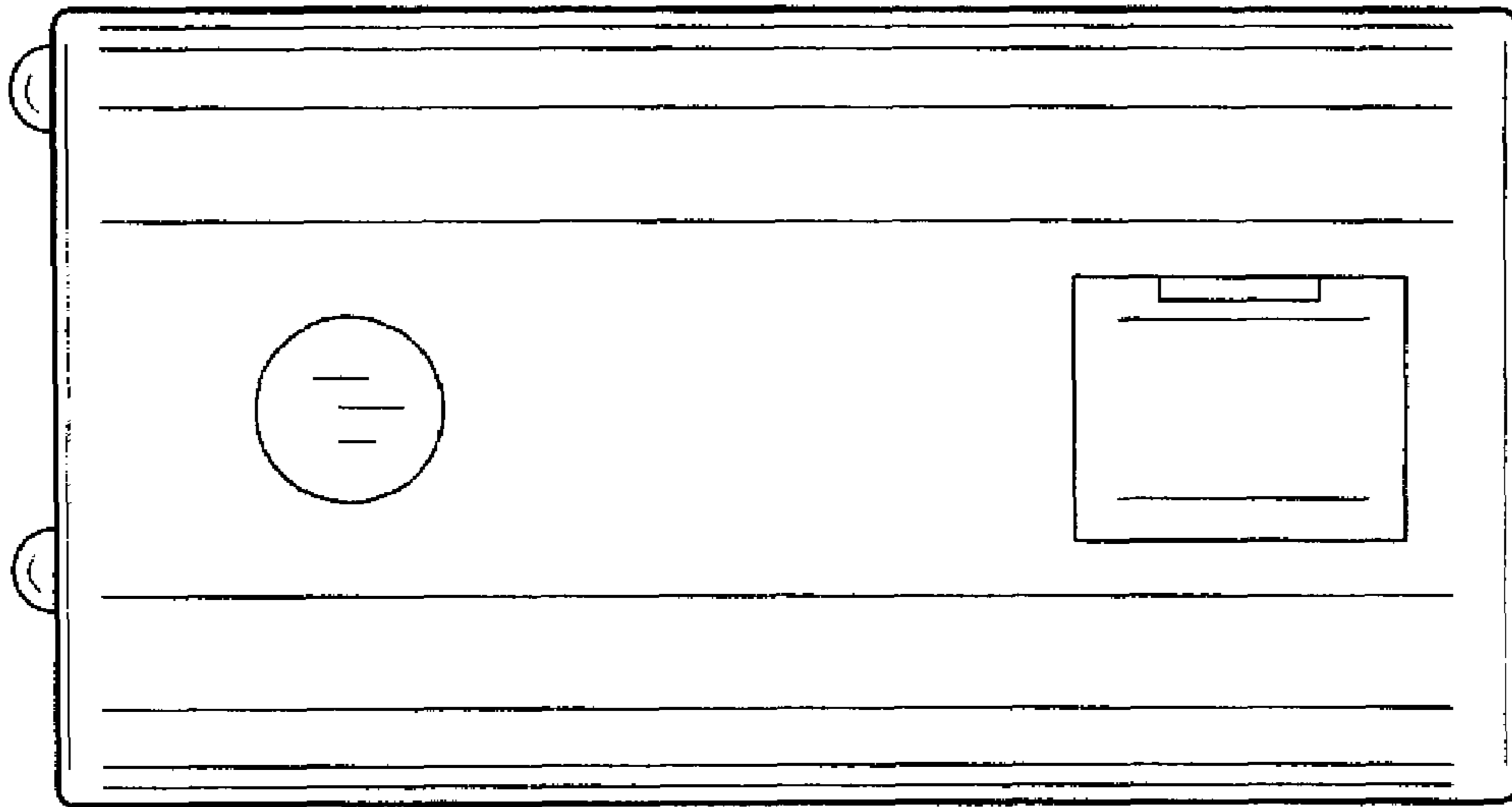


FIG. 1

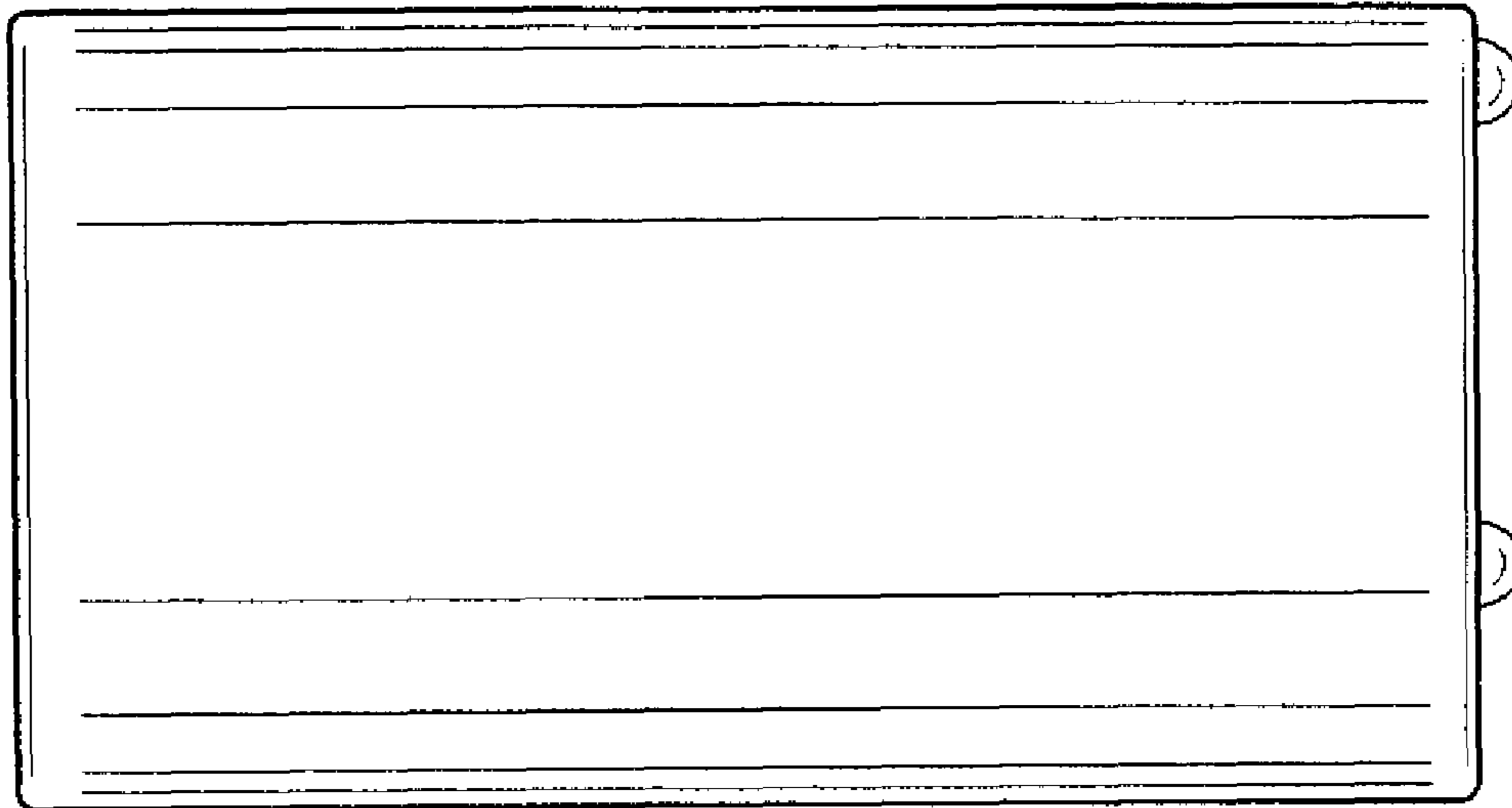


FIG. 2

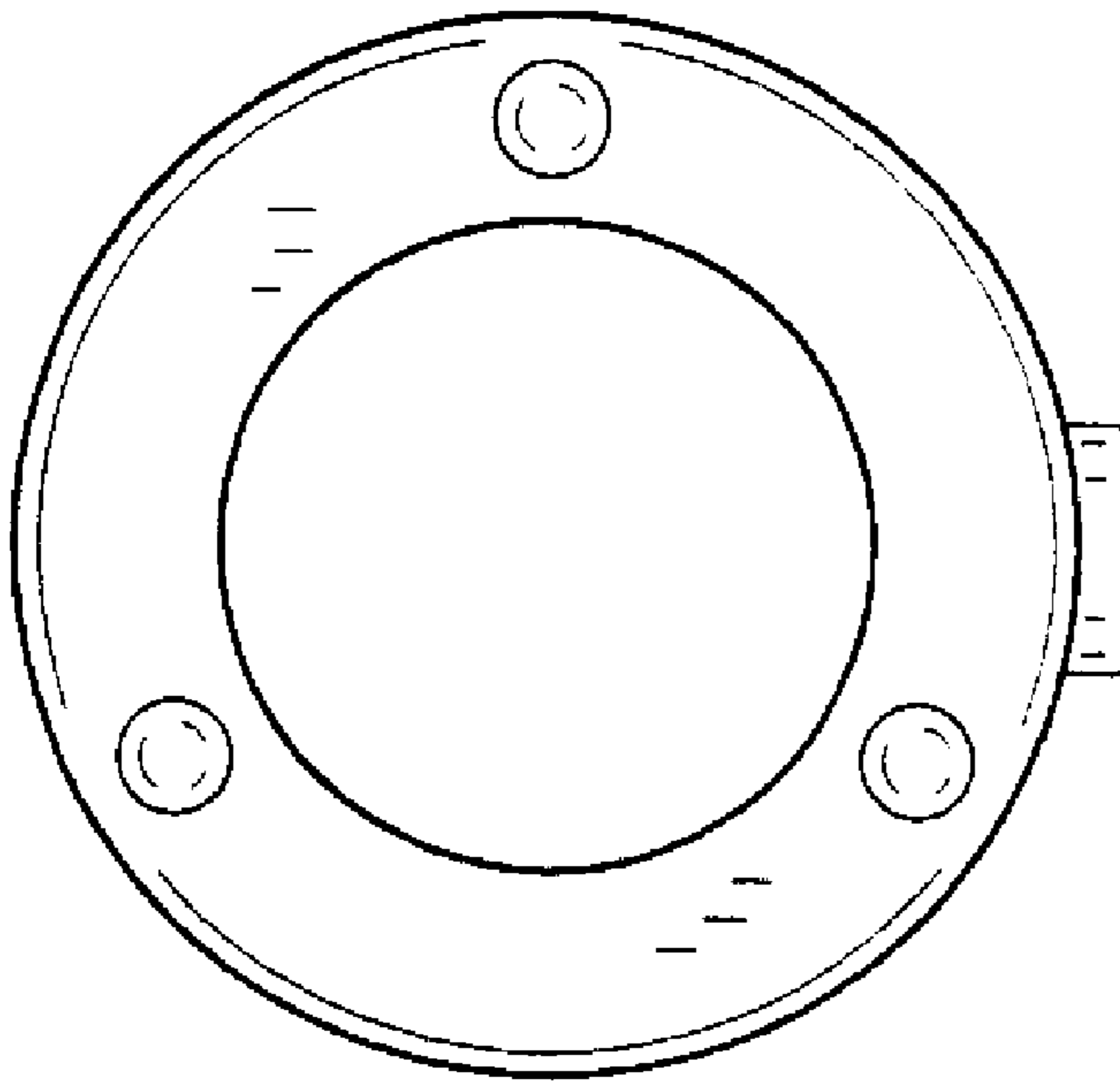


FIG. 3

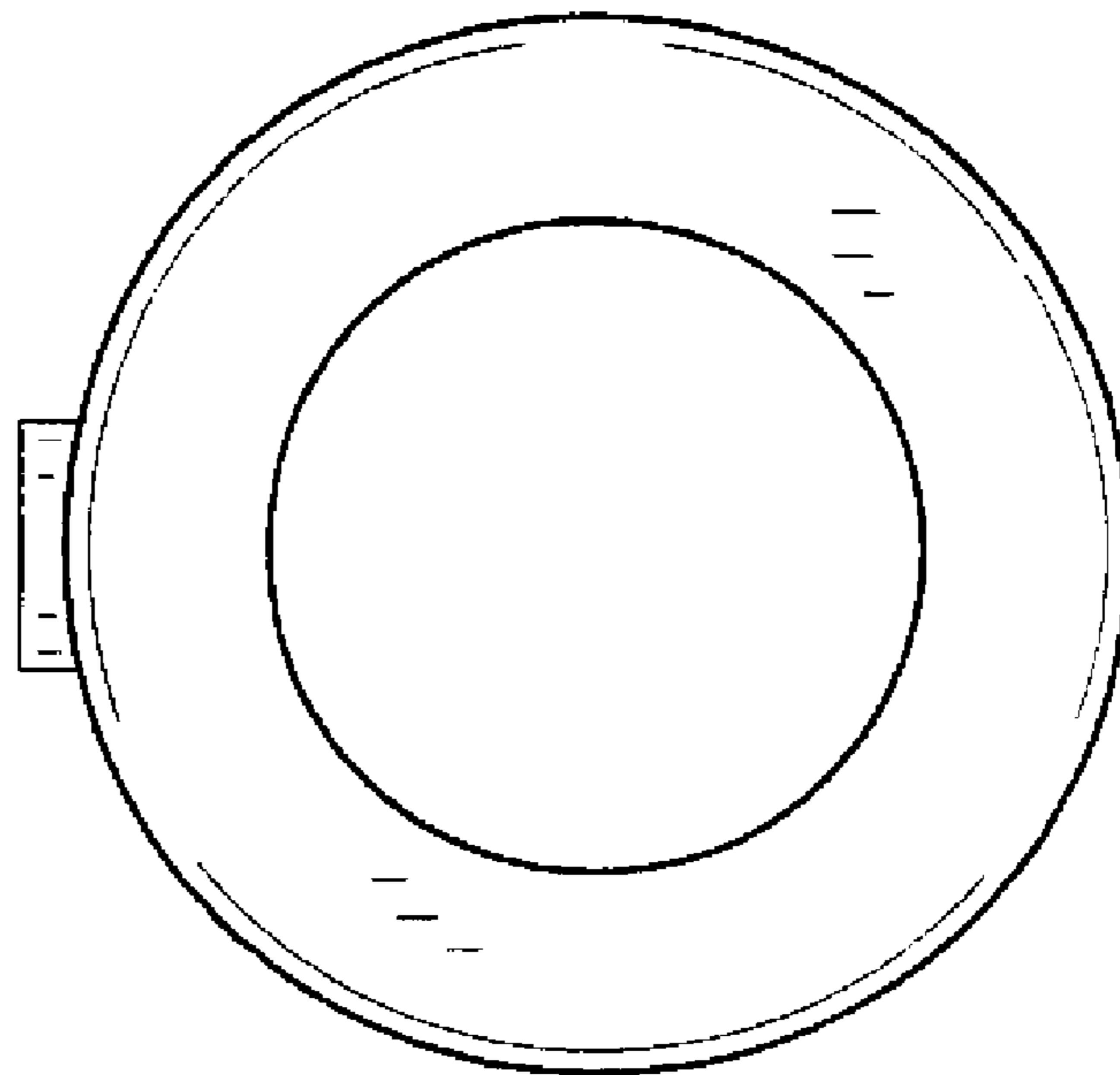


FIG. 4

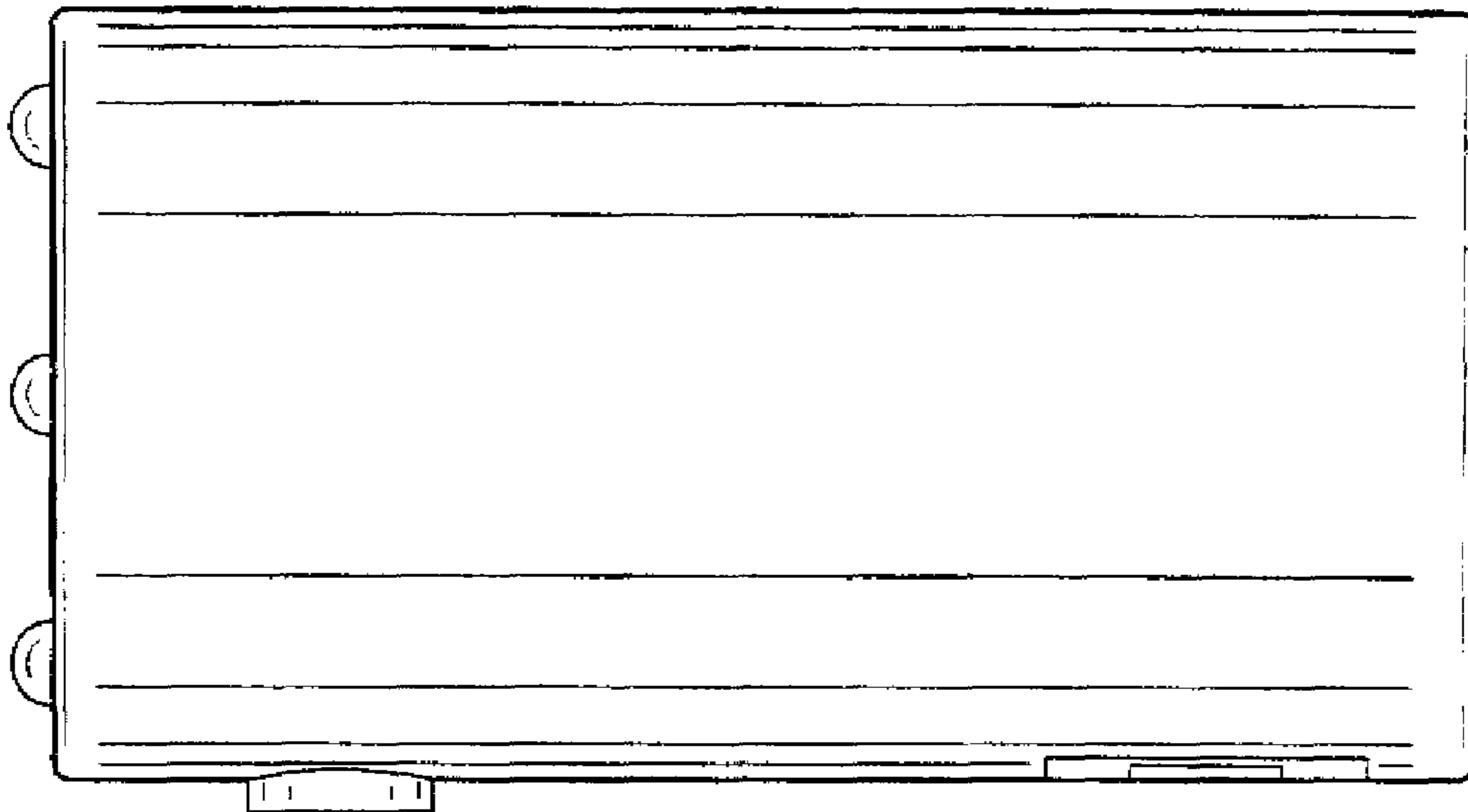


FIG. 5

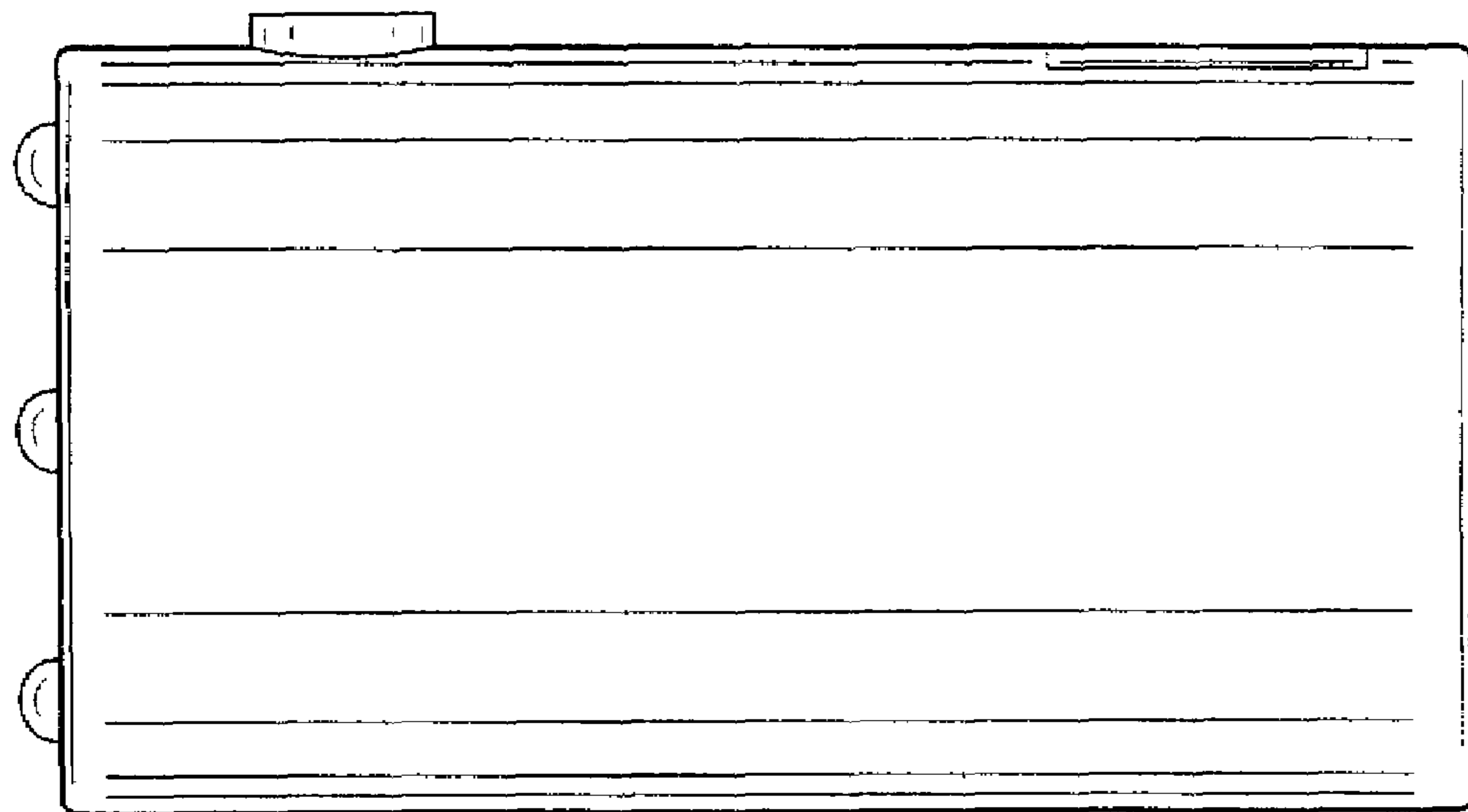


FIG. 6

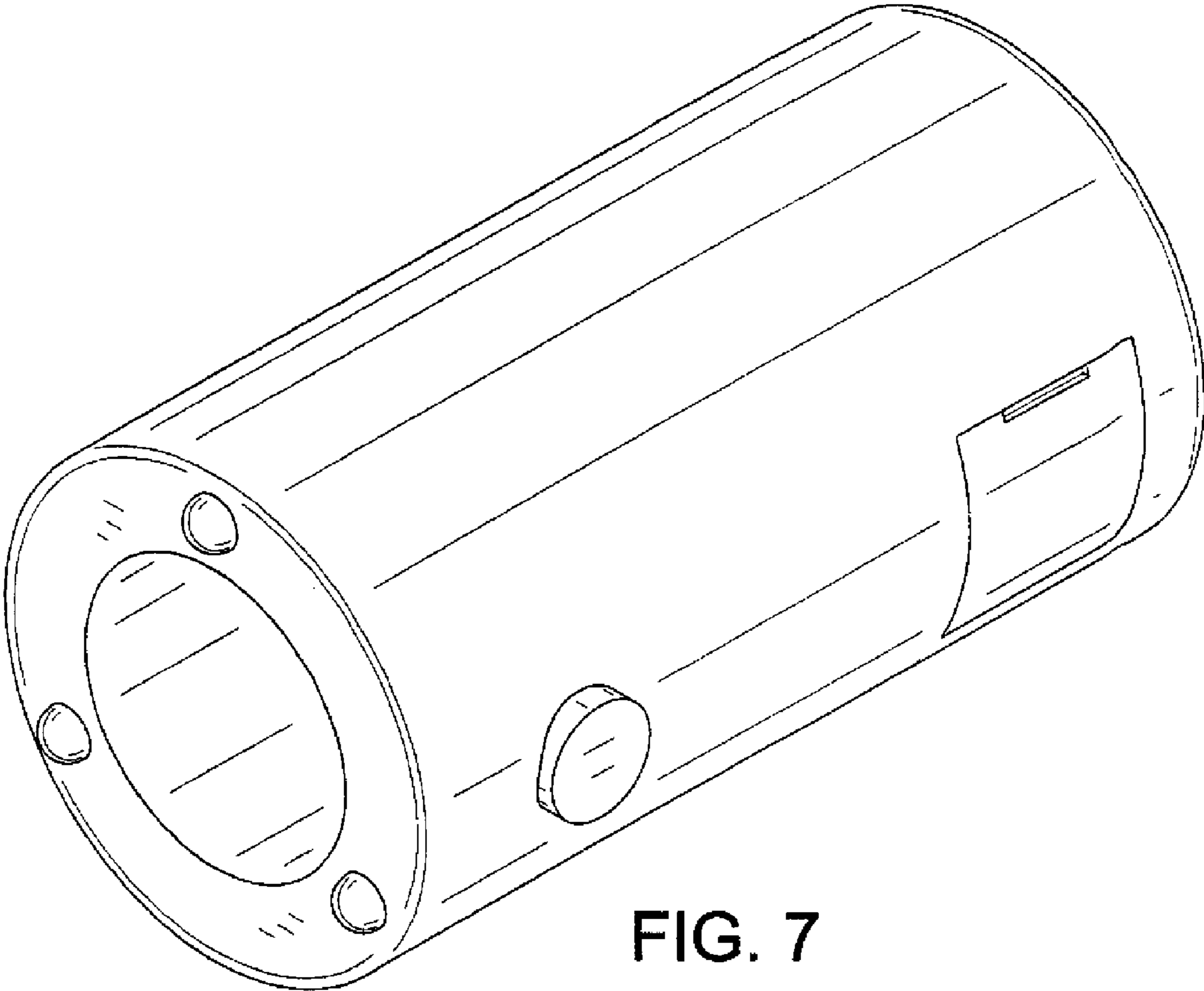


FIG. 7