



US00D598093S

(12) **United States Design Patent**
Kawamura

(10) **Patent No.:** **US D598,093 S**

(45) **Date of Patent:** **** Aug. 11, 2009**

(54) **SYRINGE BARREL**

(75) Inventor: **Hideaki Kawamura**, Tokyo (JP)

(73) Assignee: **Daikyo Seiko, Ltd.**, Tokyo (JP)

(**) Term: **14 Years**

(21) Appl. No.: **29/320,261**

(22) Filed: **Jun. 24, 2008**

(30) **Foreign Application Priority Data**

Dec. 25, 2007 (JP) 2007-035366

(51) **LOC (9) Cl.** **24-02**

(52) **U.S. Cl.** **D24/130**

(58) **Field of Classification Search** D24/112,
D24/114, 130; 604/195, 181, 110, 130, 87,
604/227, 232, 228, 191, 220, 222, 224, 218
See application file for complete search history.

(56) **References Cited**

U.S. PATENT DOCUMENTS

D262,739 S *	1/1982	Nitshke	D24/130
D293,821 S *	1/1988	Vaillancourt	D24/147
4,801,295 A *	1/1989	Spencer	604/198
5,879,338 A *	3/1999	Mahurkar	604/195
D420,129 S *	2/2000	McMahon	D24/130
6,213,985 B1 *	4/2001	Niedospial, Jr.	604/218
6,361,525 B2 *	3/2002	Capes et al.	604/240
D460,820 S *	7/2002	Niedospial, Jr.	D24/130
D461,243 S *	8/2002	Niedospial, Jr.	D24/130
D570,476 S *	6/2008	Sudo	D24/130
D575,870 S *	8/2008	Sudo	D24/130
2002/0007147 A1 *	1/2002	Capes et al.	604/110
2004/0082911 A1 *	4/2004	Tiu et al.	604/110
2004/0122378 A1 *	6/2004	Hsu	604/240
2005/0070854 A1 *	3/2005	Wright	604/197
2005/0124941 A1 *	6/2005	Panchula et al.	604/218

2006/0217670 A1 *	9/2006	Cecchi et al.	604/209
2008/0188799 A1 *	8/2008	Mueller-Beckhaus et al.	604/88
2008/0287869 A1 *	11/2008	Chun	604/110

* cited by examiner

Primary Examiner—T. Chase Nelson

Assistant Examiner—Eric L Goodman

(74) *Attorney, Agent, or Firm*—The Webb Law Firm

(57) **CLAIM**

The ornamental design for a syringe barrel, as shown and described.

DESCRIPTION

FIG. 1 is a front view of a syringe barrel showing the new design;

FIG. 2 is a rear view of FIG. 1;

FIG. 3 is a top view of FIG. 1;

FIG. 4 is a bottom view of FIG. 1;

FIG. 5 is a left side view of FIG. 1;

FIG. 6 is a right side view of FIG. 1;

FIG. 7 is an enlarged section of the right side view of FIG. 6;

FIG. 8 is a perspective view of FIG. 1;

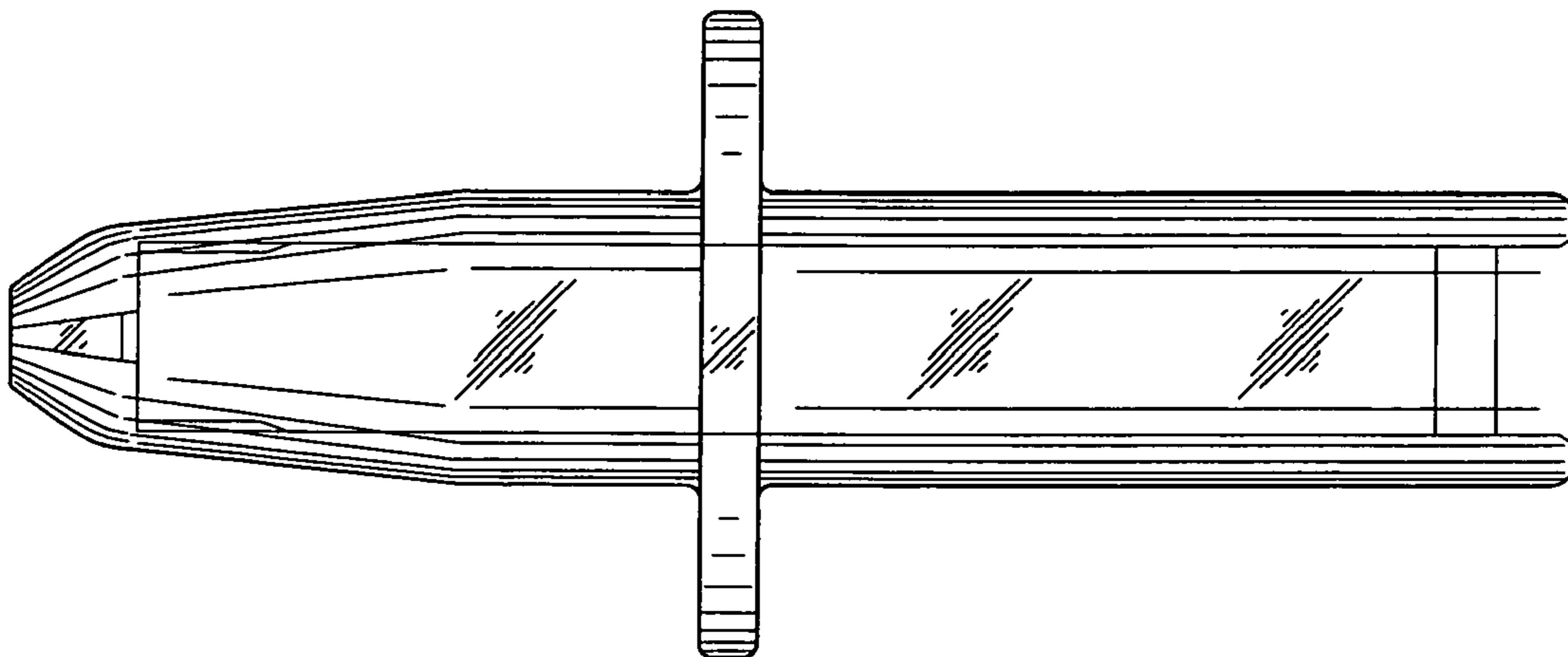
FIG. 9 is a cross-sectional view of FIG. 1 taken along line 9—9 of FIG. 5;

FIG. 10 is a cross-sectional view of FIG. 1 taken along line 10—10 of FIG. 5; and,

FIG. 11 is a cross-sectional front view of the syringe barrel having a plunger rod engaged therewith.

The broken lines in FIG. 11 represent environment and are for illustrative purposes only and do not constitute part of the claimed design.

1 Claim, 6 Drawing Sheets



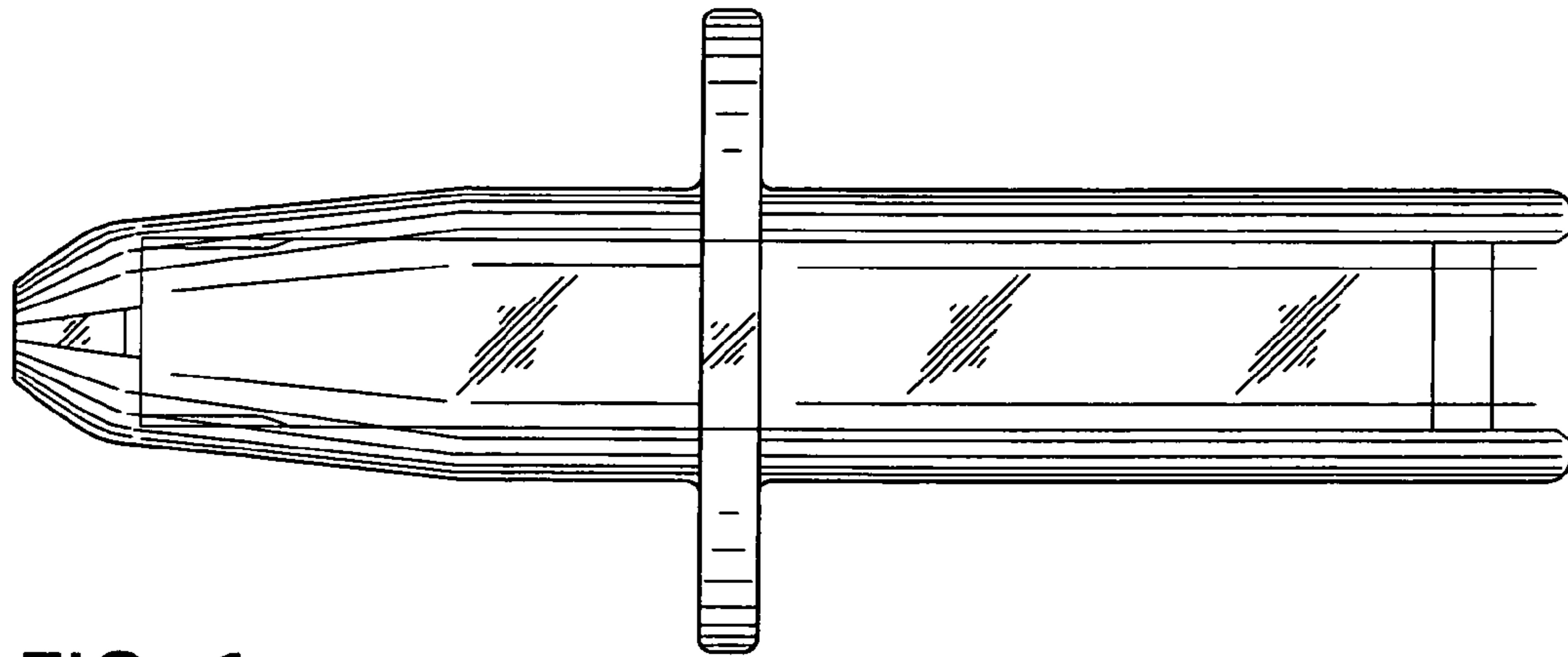


FIG. 1

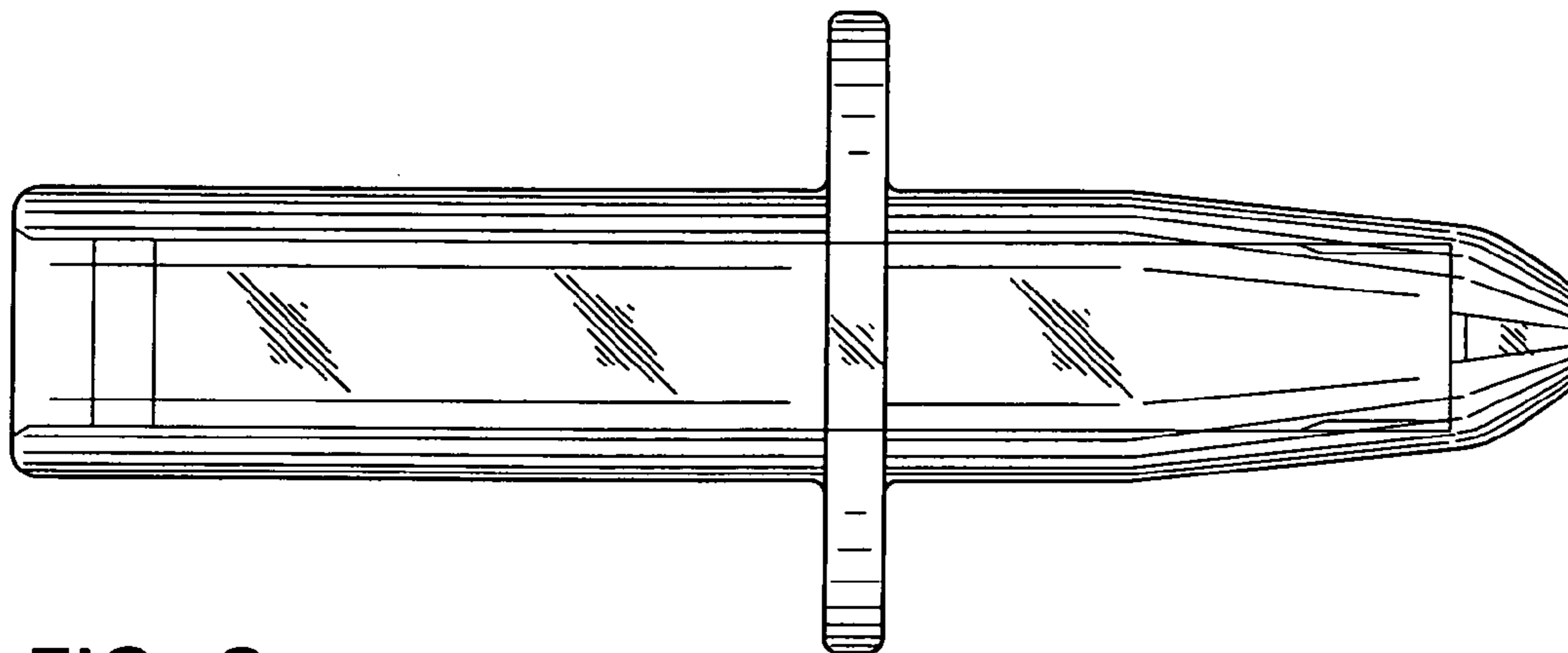


FIG. 2

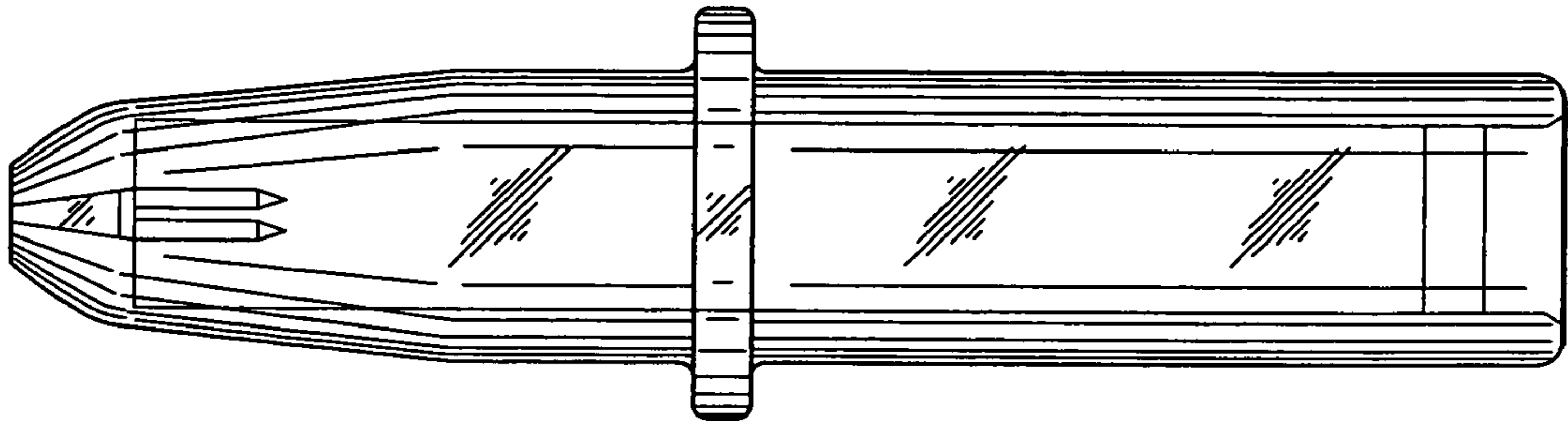


FIG. 3

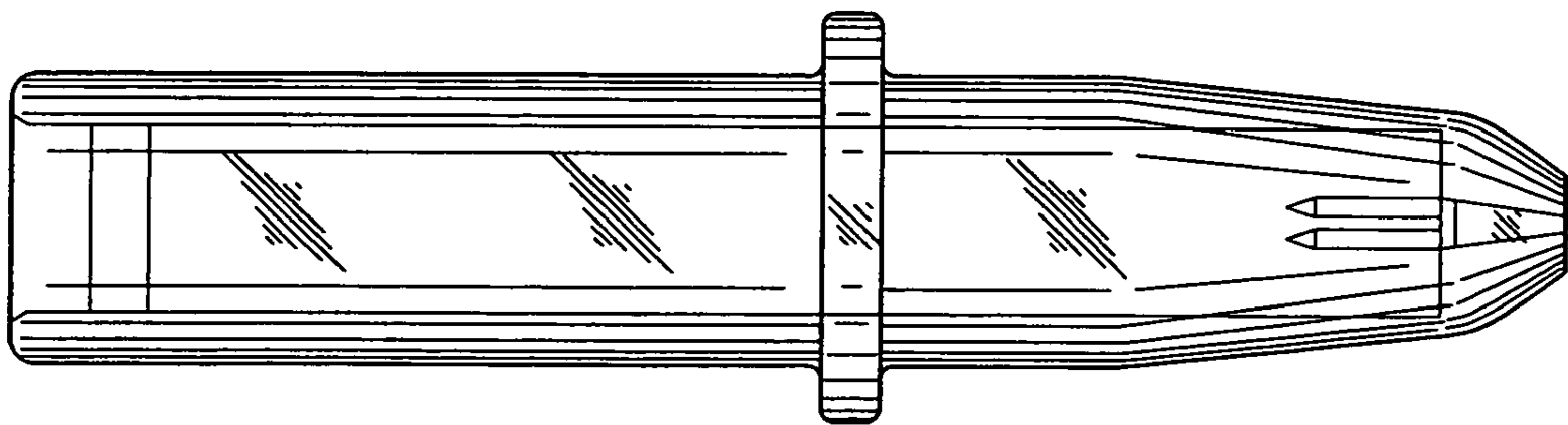


FIG. 4

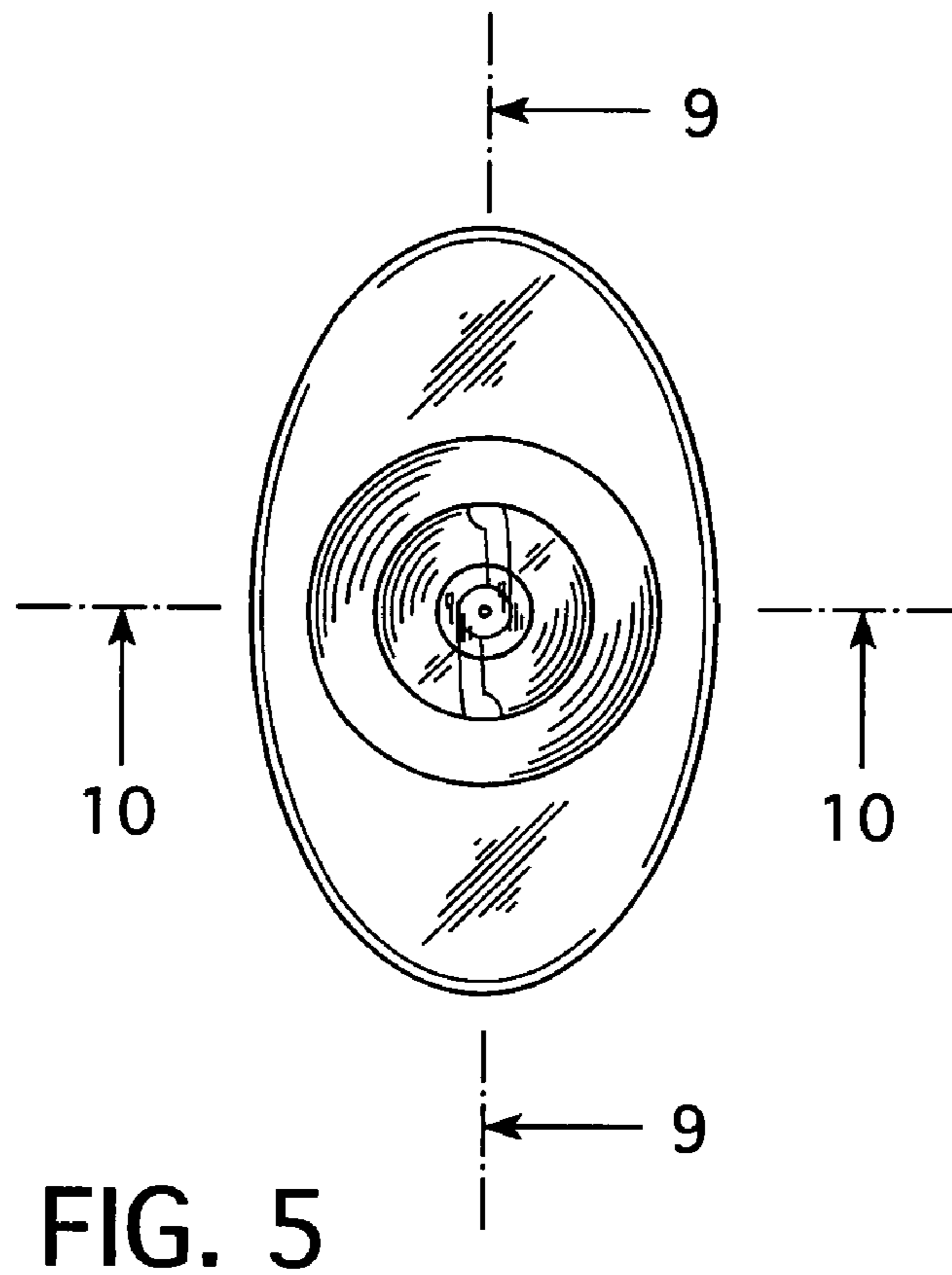


FIG. 5

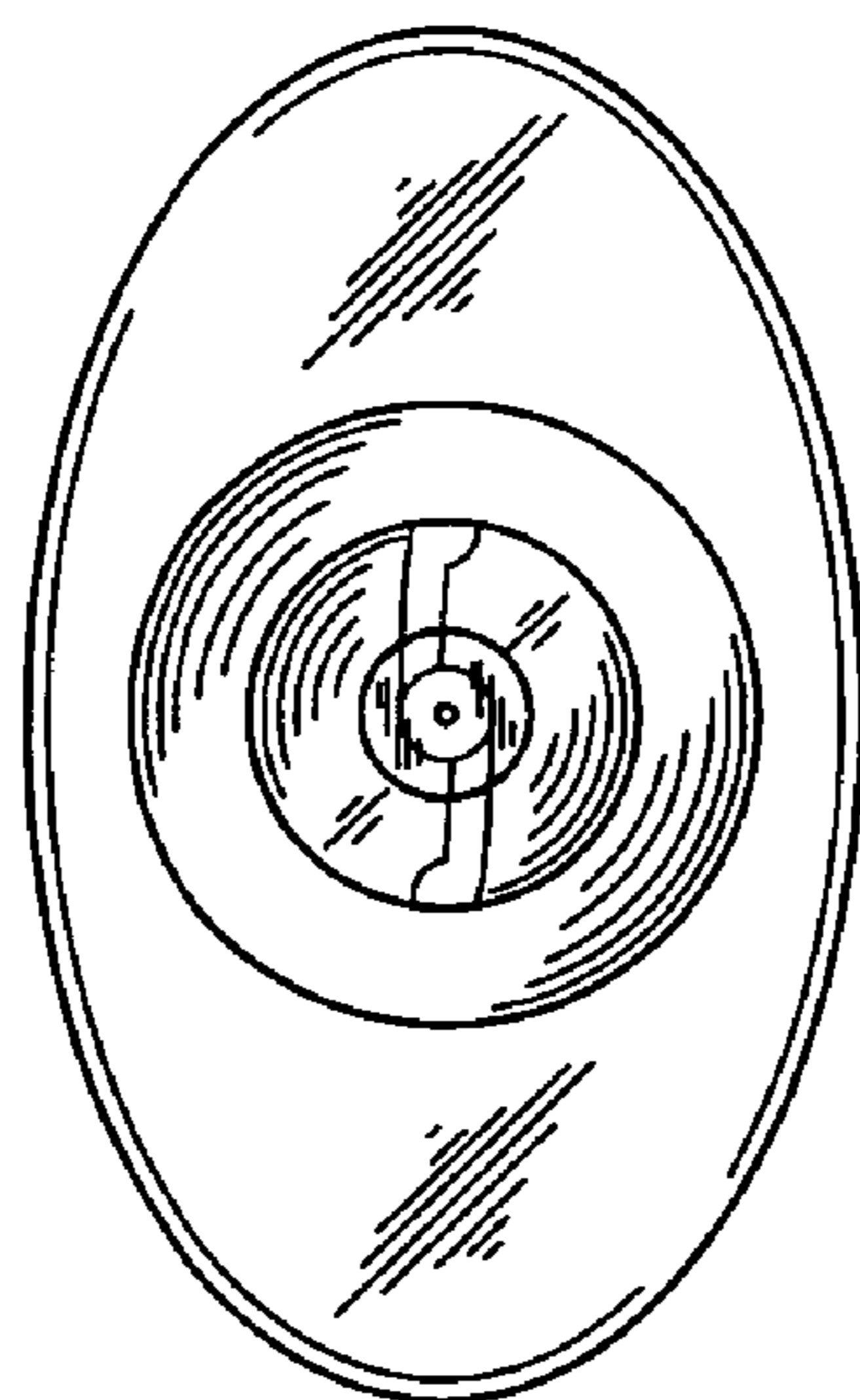


FIG. 6

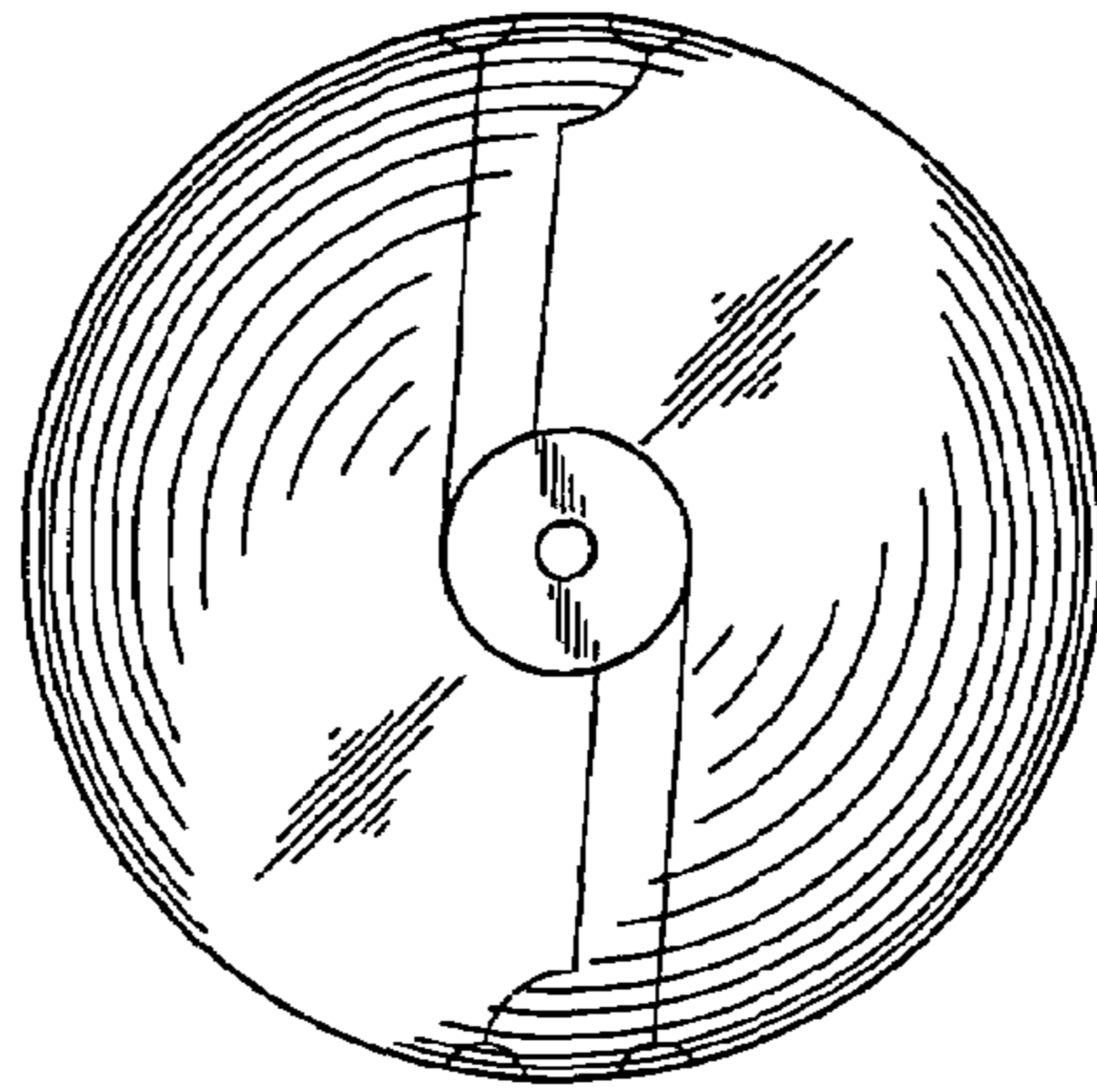


FIG. 7

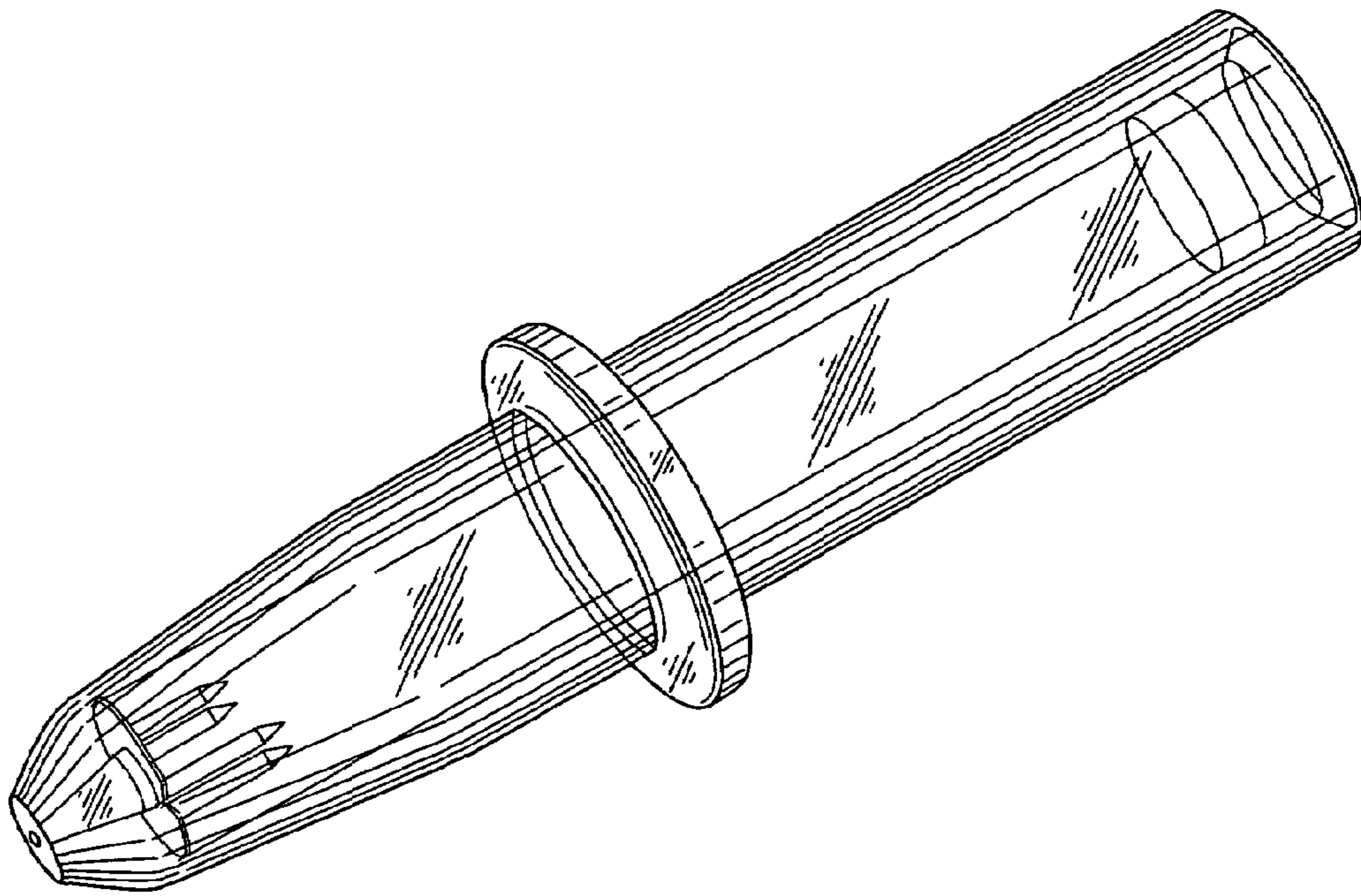


FIG. 8

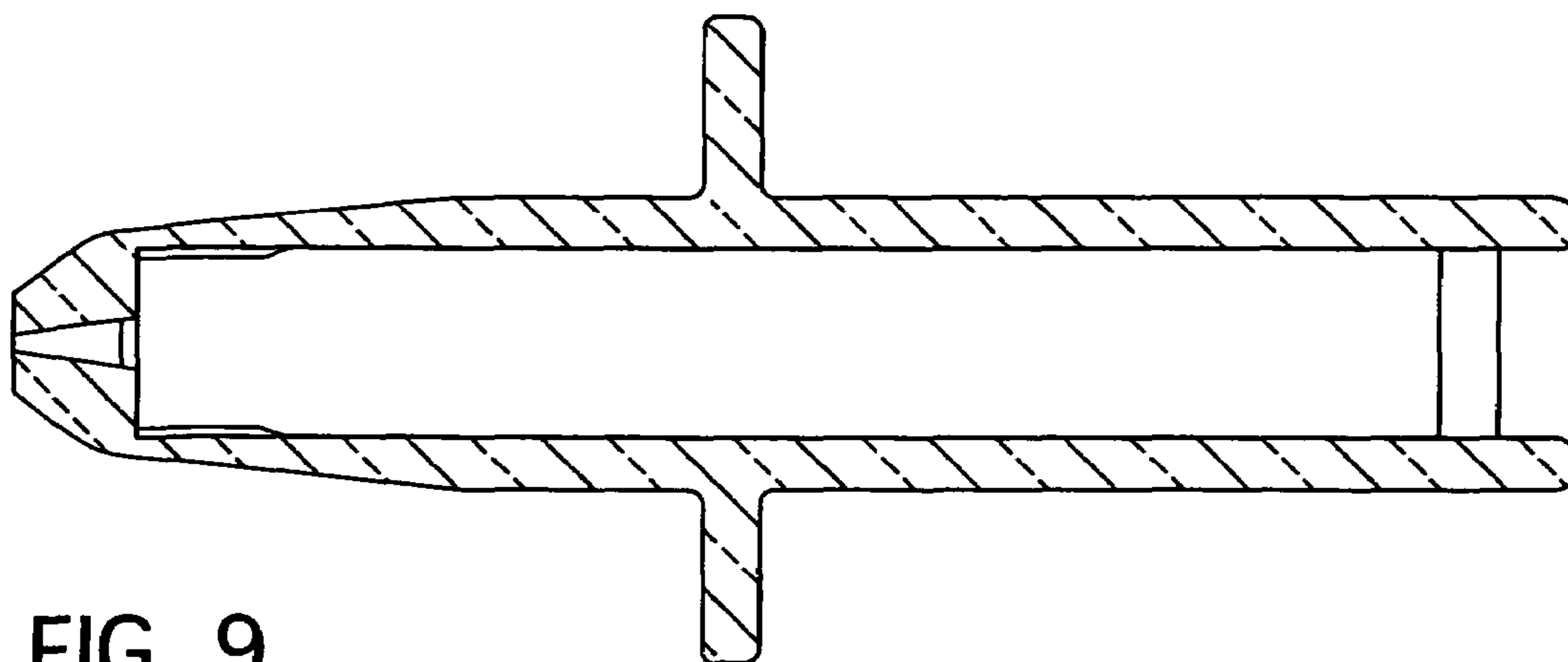


FIG. 9

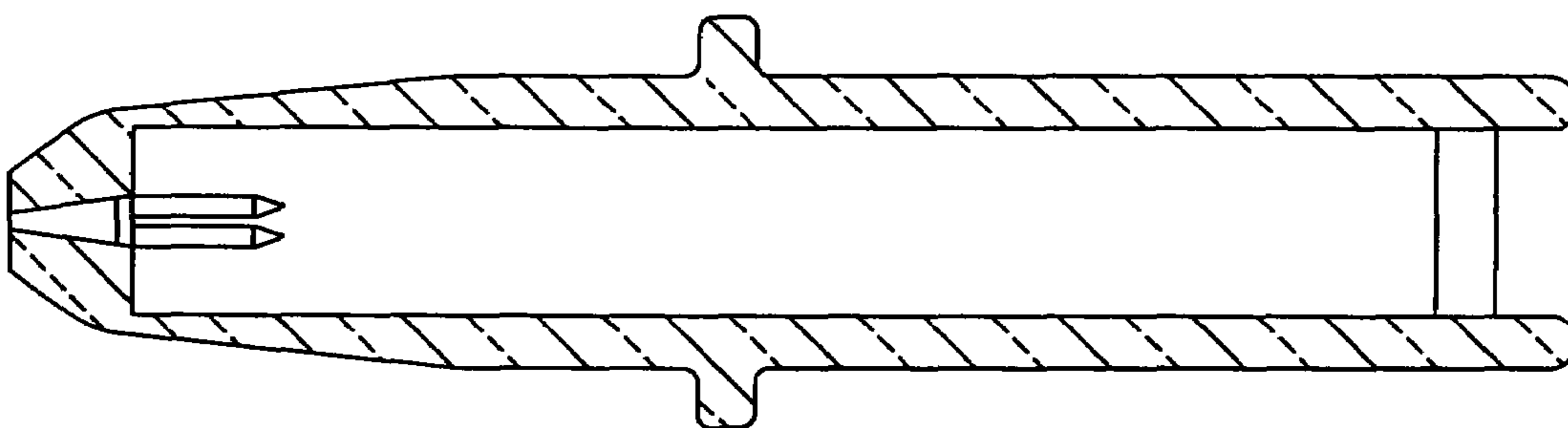


FIG. 10

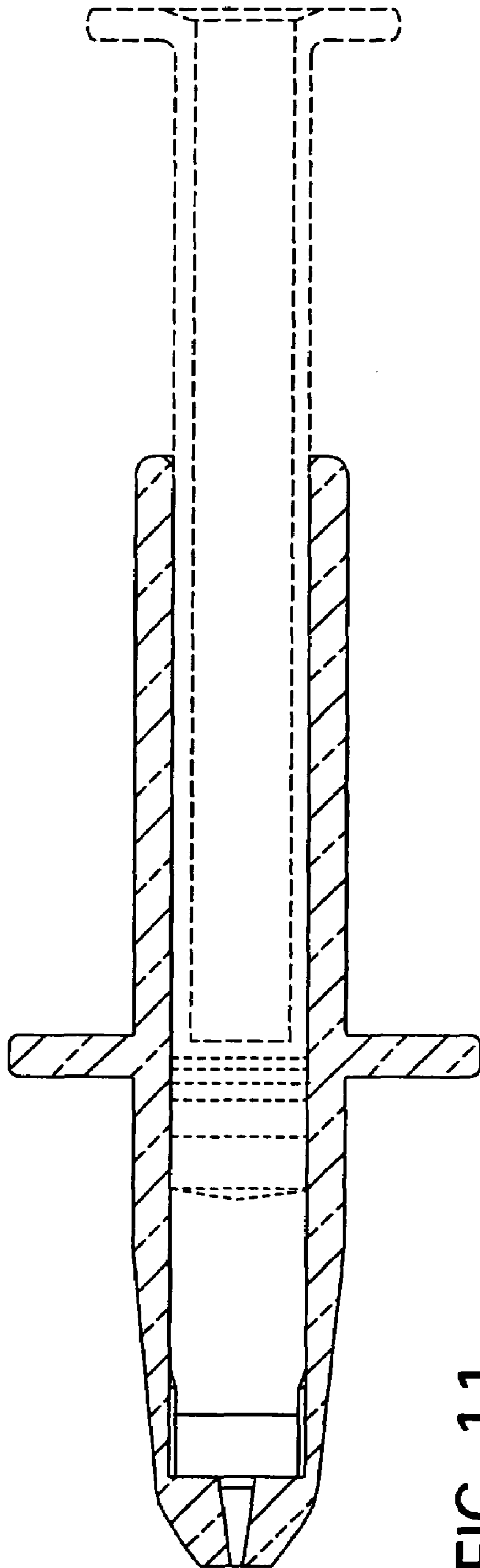


FIG. 11