



US00D598088S

(12) **United States Design Patent**
Foerster

(10) **Patent No.:** **US D598,088 S**

(45) **Date of Patent:** **** Aug. 11, 2009**

(54) **FILTER CARTRIDGE HOUSING**

(75) Inventor: **Lee Foerster**, Medford, OR (US)

(73) Assignee: **TF Industries, LLC**, Medford, OR (US)

(**) Term: **14 Years**

(21) Appl. No.: **29/330,301**

(22) Filed: **Jan. 5, 2009**

(51) **LOC (9) Cl.** **23-04**

(52) **U.S. Cl.** **D23/365**

(58) **Field of Classification Search** D23/365,
D23/363, 358, 386, 354, 341, 364, 393; 55/385.3,
55/502, 497, 506, 505, 521, 495, 422, 493,
55/DIG. 30

See application file for complete search history.

(56) **References Cited**

U.S. PATENT DOCUMENTS

4,693,337	A *	9/1987	Timmermeister	55/DIG. 30
D349,338	S *	8/1994	Crinion	D23/386
D377,390	S *	1/1997	Ketcham	D23/365
D382,549	S *	8/1997	Yoshimoto	D23/388
5,997,674	A *	12/1999	Rakocy et al.	55/502
D444,218	S *	6/2001	Mittelstadt et al.	D23/365
D452,302	S *	12/2001	Hagen	D23/365
6,344,065	B1 *	2/2002	Boulva	55/493
D455,826	S *	4/2002	Gillingham et al.	D23/365

D480,127	S *	9/2003	Cox et al.	D23/365
D511,377	S *	11/2005	Erwan et al.	D23/393
D558,870	S *	1/2008	Triplett et al.	D23/364
D588,257	S *	3/2009	Reedy et al.	D23/388

* cited by examiner

Primary Examiner—T. Chase Nelson

Assistant Examiner—David G Muller

(74) *Attorney, Agent, or Firm*—Berenato, White & Stavish, LLC

(57) **CLAIM**

The ornamental design for a filter cartridge housing, as shown and described.

DESCRIPTION

FIG. 1 is an upper front perspective view of a filter cartridge housing according to an embodiment of the invention.

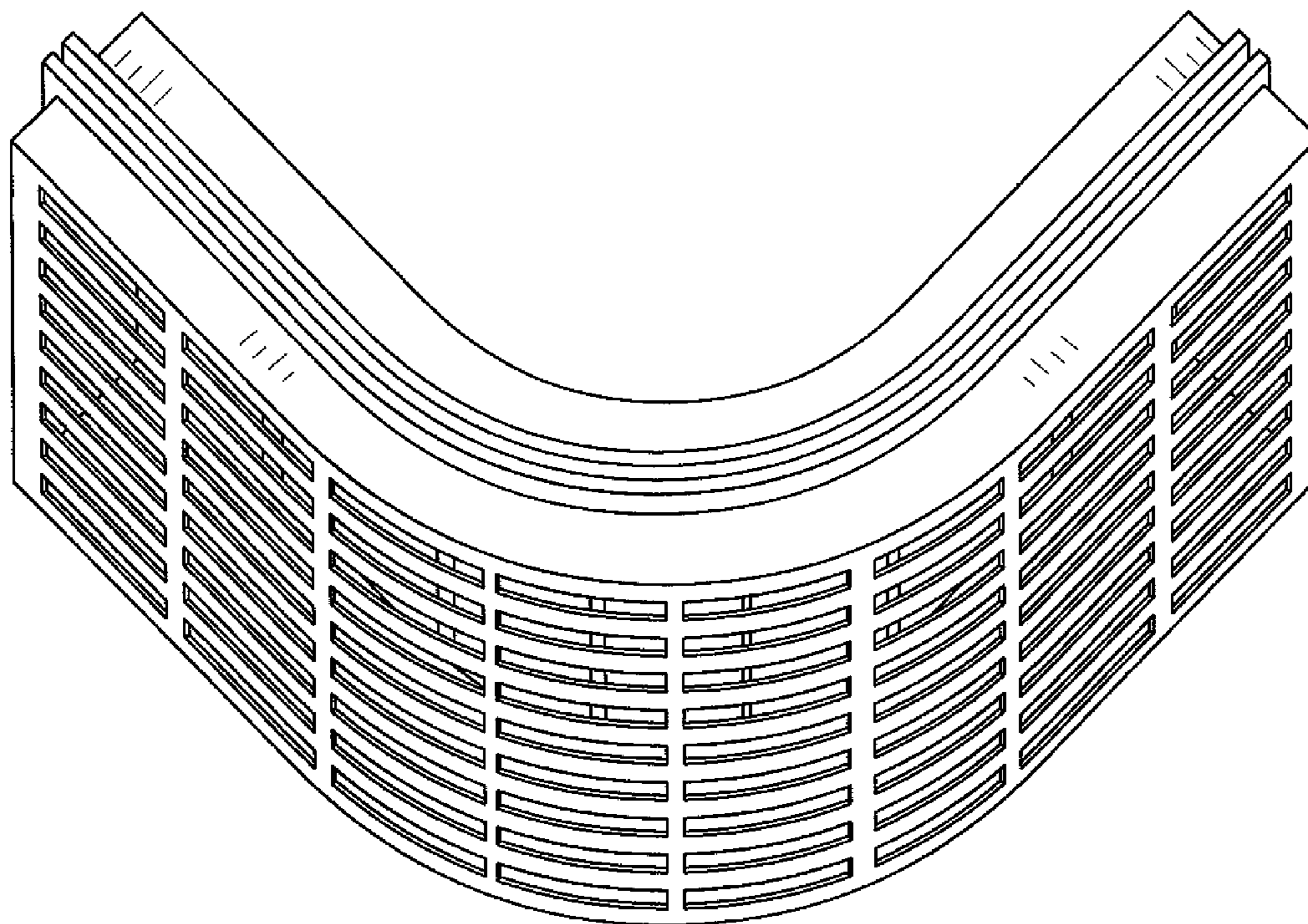
FIG. 2 is a front view of filter cartridge housing of FIG. 1.

FIG. 3 is a rear view of the filter cartridge housing of FIG. 1.

FIG. 4 is a right side view of the filter cartridge housing of FIG. 1; the left side view of the filter cartridge housing is the mirror image of FIG. 4; and,

FIG. 5 is a top view of the filter cartridge housing of FIG. 1; the bottom view of the filter cartridge housing is identical to FIG. 5.

1 Claim, 3 Drawing Sheets



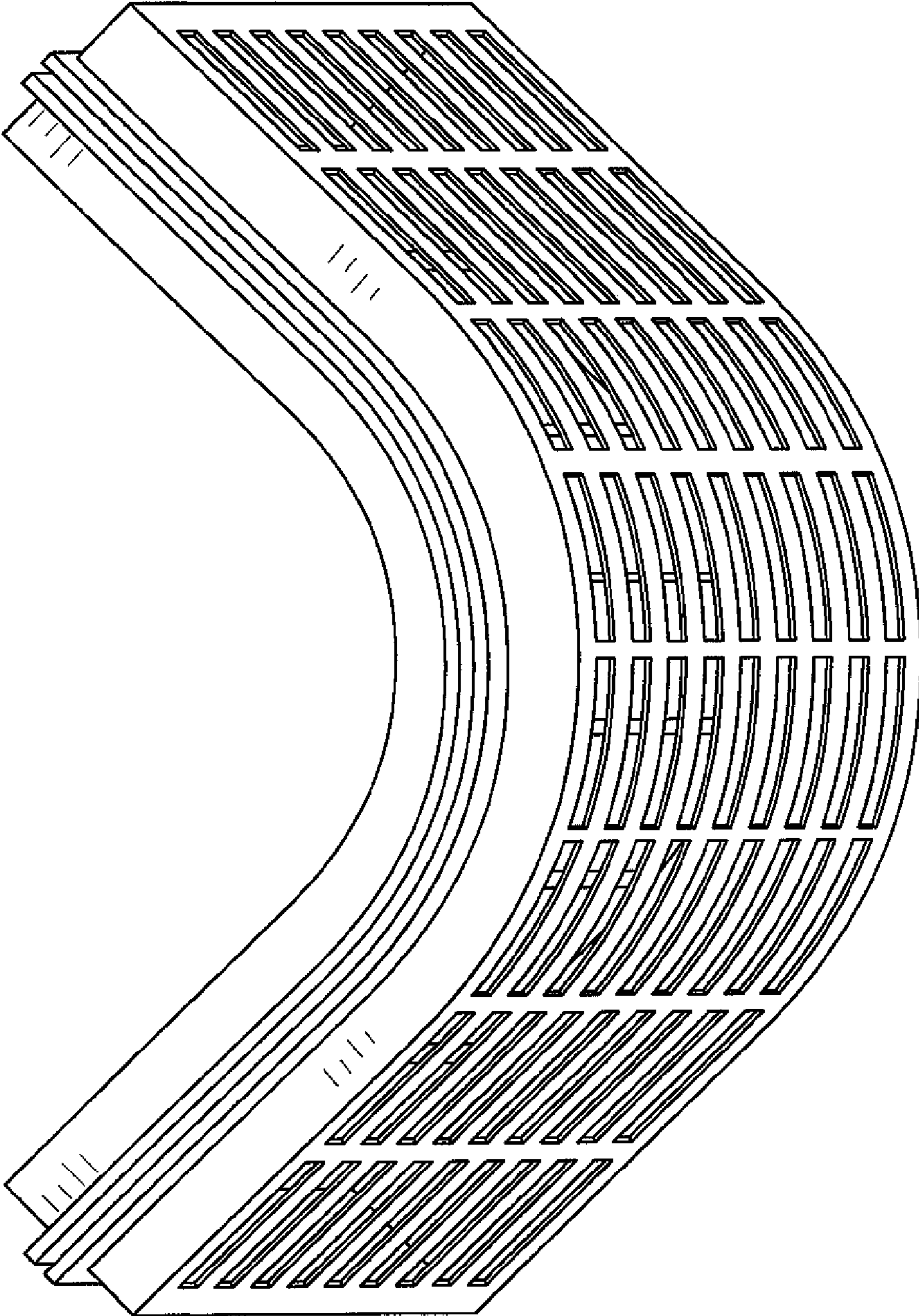


FIG. 1

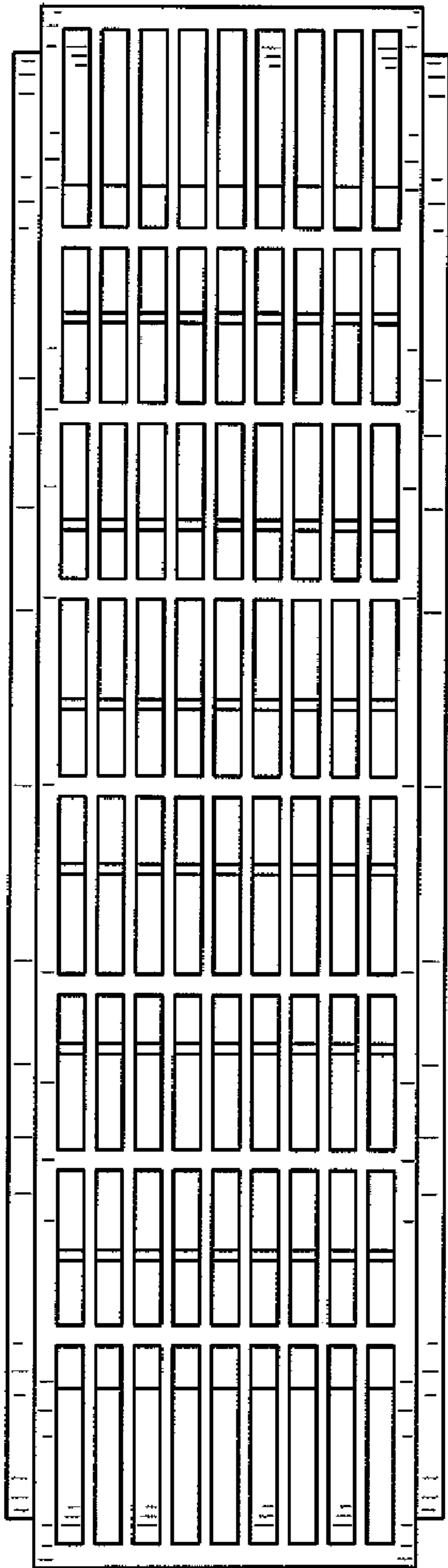


FIG. 2

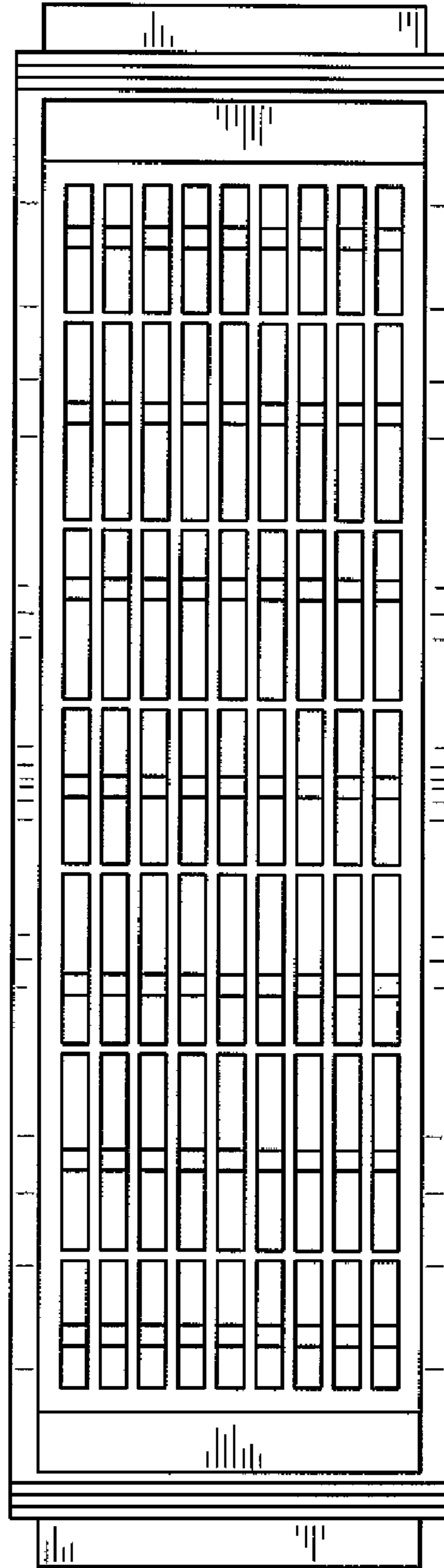


FIG. 3

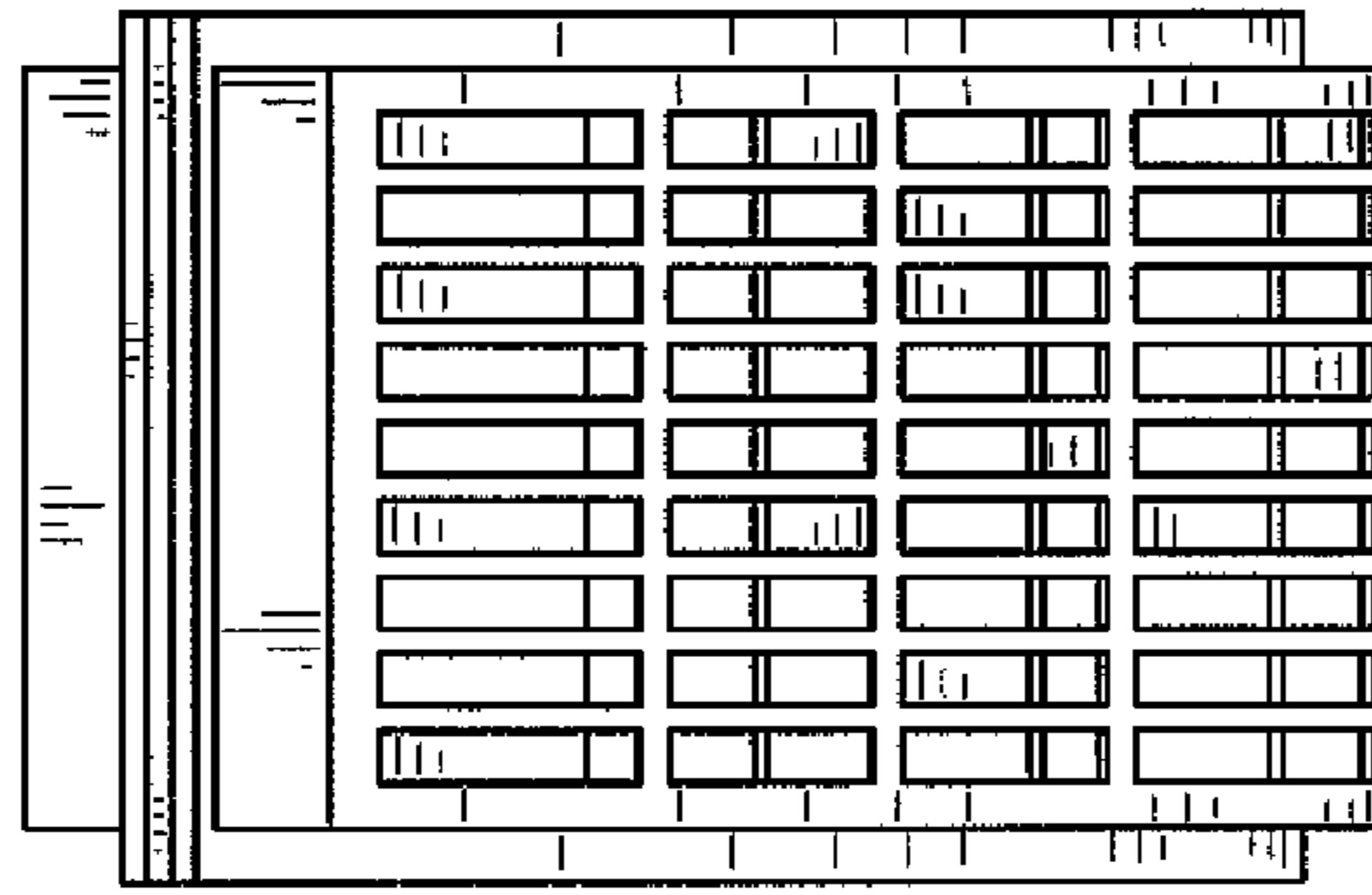


FIG. 4

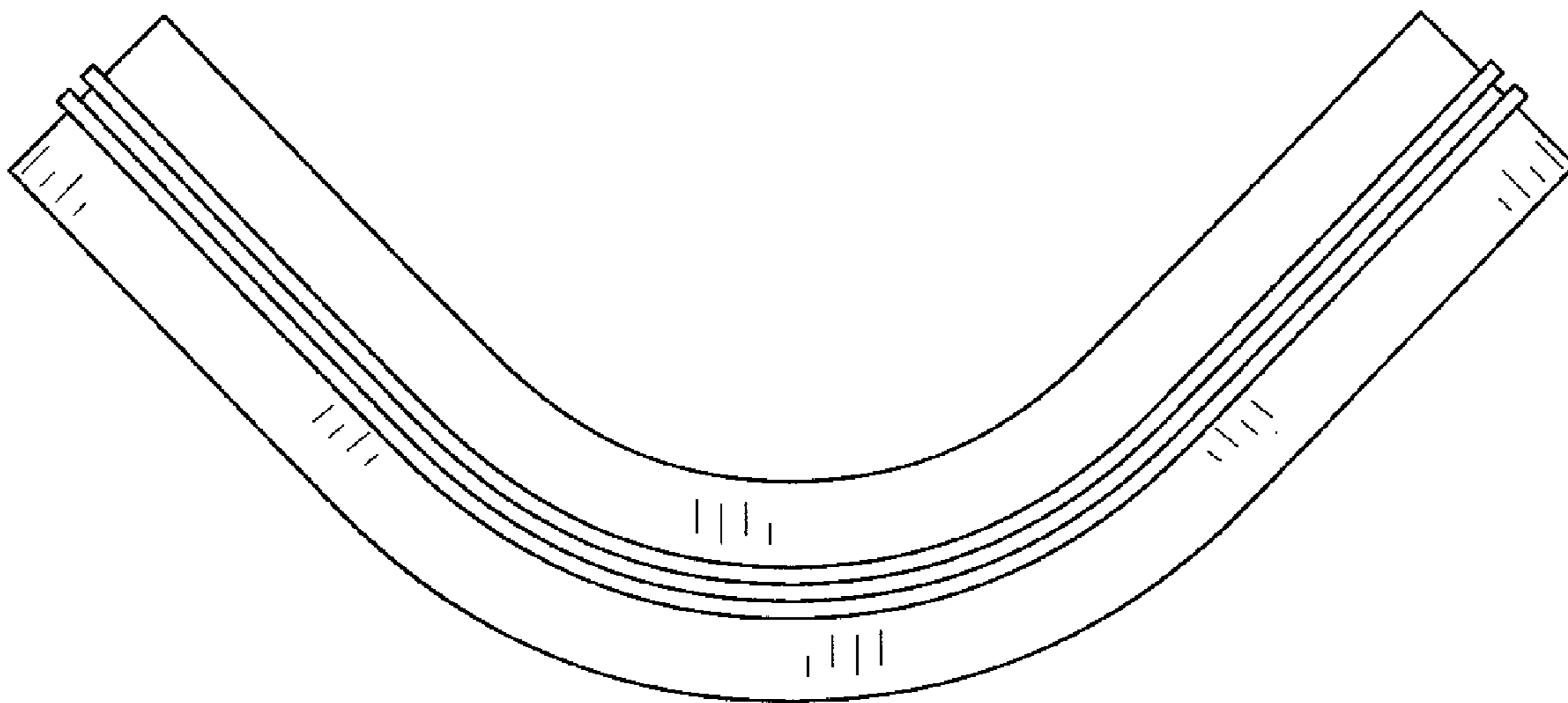


FIG. 5