



US00D598087S

(12) **United States Design Patent**
Park et al.

(10) **Patent No.:** **US D598,087 S**
(45) **Date of Patent:** **** Aug. 11, 2009**

(54) **AIR CONDITIONER**

(75) Inventors: **Il Ha Park**, Seongnam-si (KR); **Mun Woo Lee**, Yongin-si (KR); **Min Ha Lee**, Gunpo-si (KR); **Joo Gyeom Kim**, Seoul (KR)

(73) Assignee: **LG Electronics Inc.**, Seoul (KR)

(**) Term: **14 Years**

(21) Appl. No.: **29/330,629**

(22) Filed: **Jan. 12, 2009**

(30) **Foreign Application Priority Data**

Jul. 25, 2008 (KR) 30-2008-0032468

(51) **LOC (9) Cl.** **23-04**

(52) **U.S. Cl.** **D23/333**

(58) **Field of Classification Search** D23/333,
D23/351; 62/262-263, 259.1, 261, 297,
62/324.1, 371, 401, 457.1; 312/31, 401,
312/236, 249.1

See application file for complete search history.

(56) **References Cited**

U.S. PATENT DOCUMENTS

D548,313 S * 8/2007 Chiu D23/333

D572,352 S * 7/2008 Chiu D23/333
D575,857 S * 8/2008 Chiu D23/333
D578,192 S * 10/2008 Yoo et al. D23/333
D578,629 S * 10/2008 Yoo et al. D23/333
D584,805 S * 1/2009 Yoo et al. D23/333

* cited by examiner

Primary Examiner—Brian N Vinson

(74) *Attorney, Agent, or Firm*—Birch, Stewart, Kolasch & Birch, LLP

(57) **CLAIM**

We claim the ornamental design for an air conditioner, as shown and described.

DESCRIPTION

FIG. 1 is a perspective view of an air conditioner showing our new design:

FIG. 2 is a front elevation view thereof;

FIG. 3 is a rear elevation view thereof;

FIG. 4 is a left-side elevation view thereof;

FIG. 5 is a right-side elevation view thereof;

FIG. 6 is a top plan view thereof; and,

FIG. 7 is a bottom plan view thereof.

1 Claim, 4 Drawing Sheets

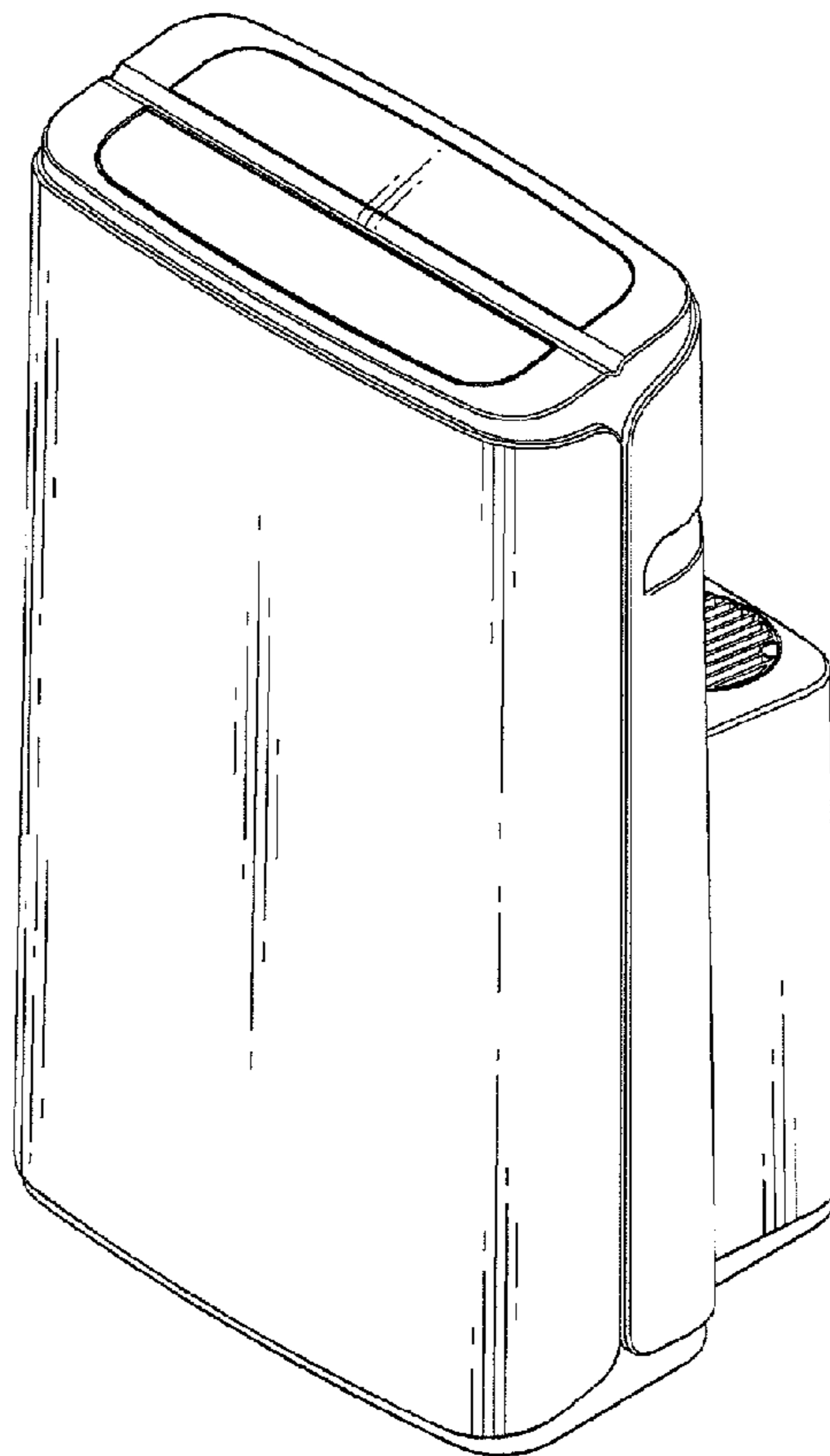


FIG. 1

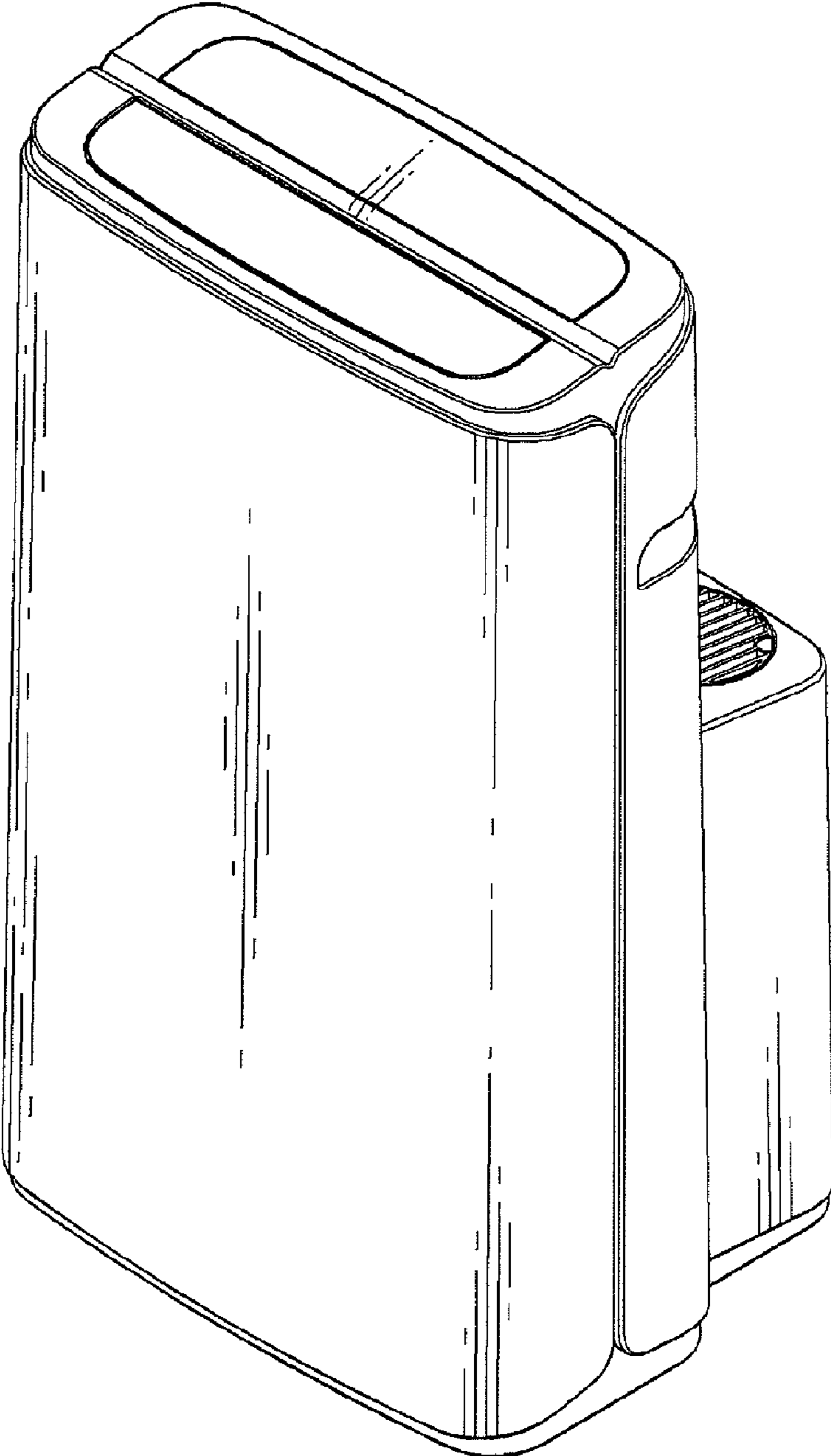


FIG.2

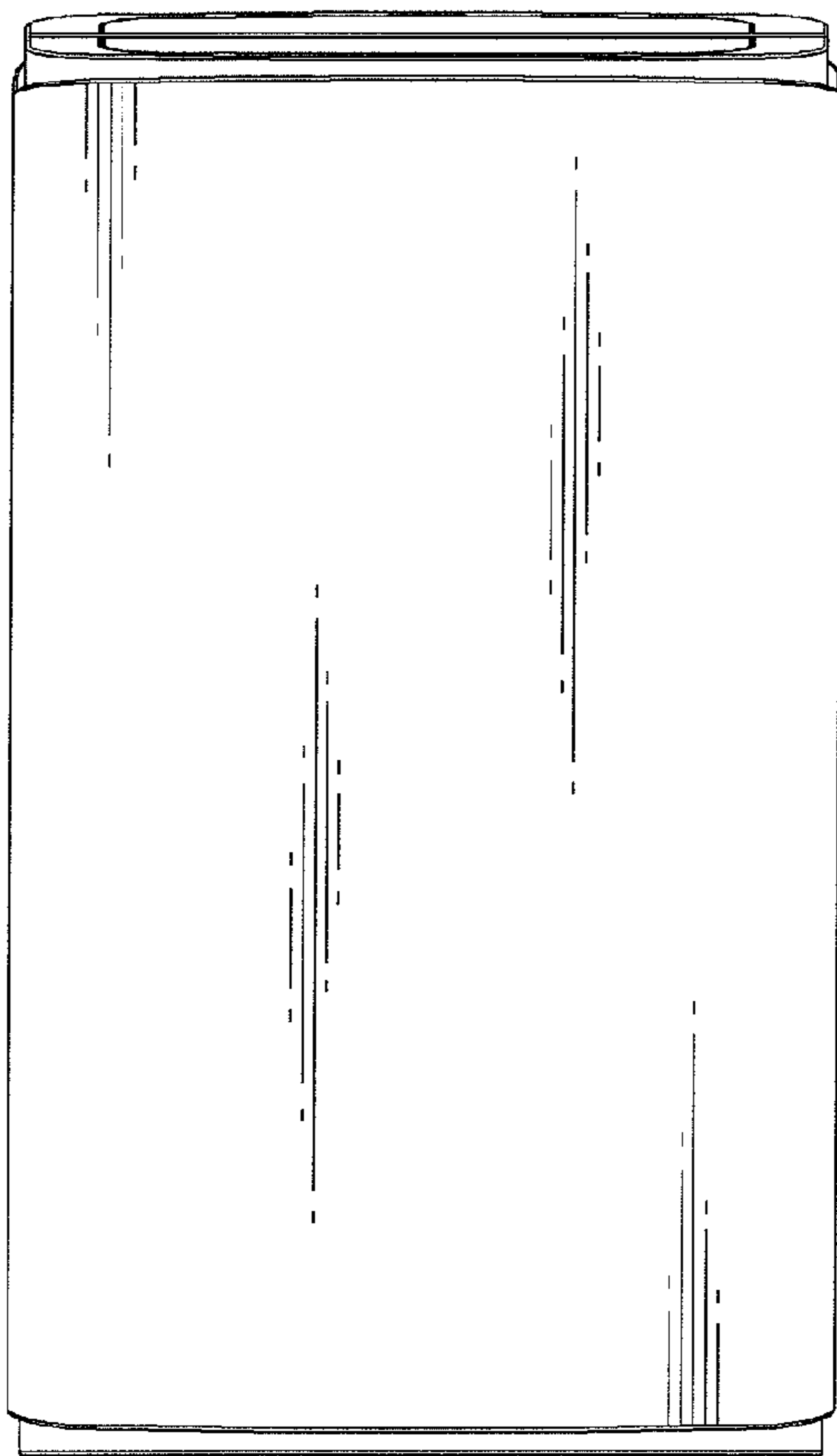


FIG.3

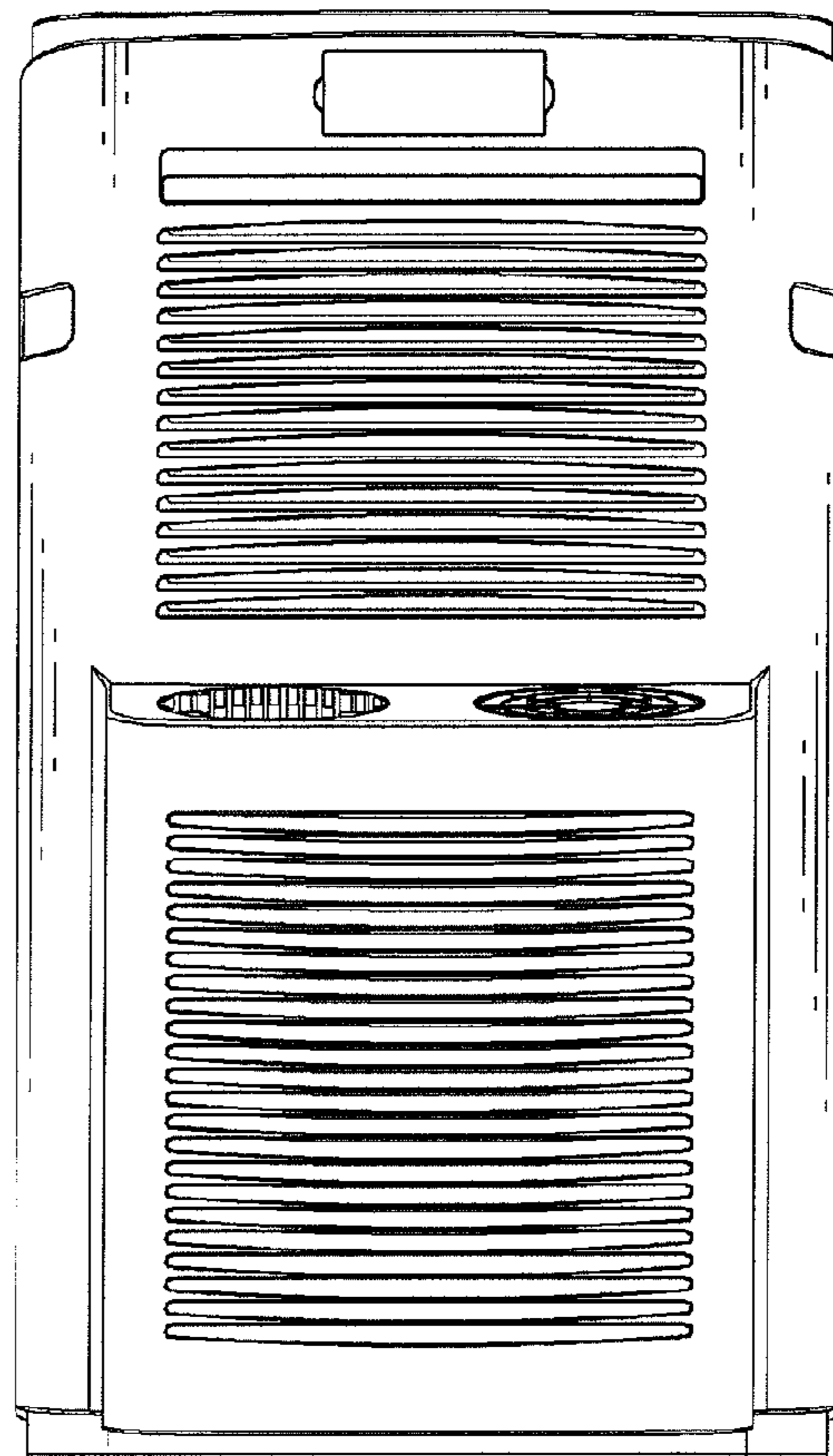


FIG. 4

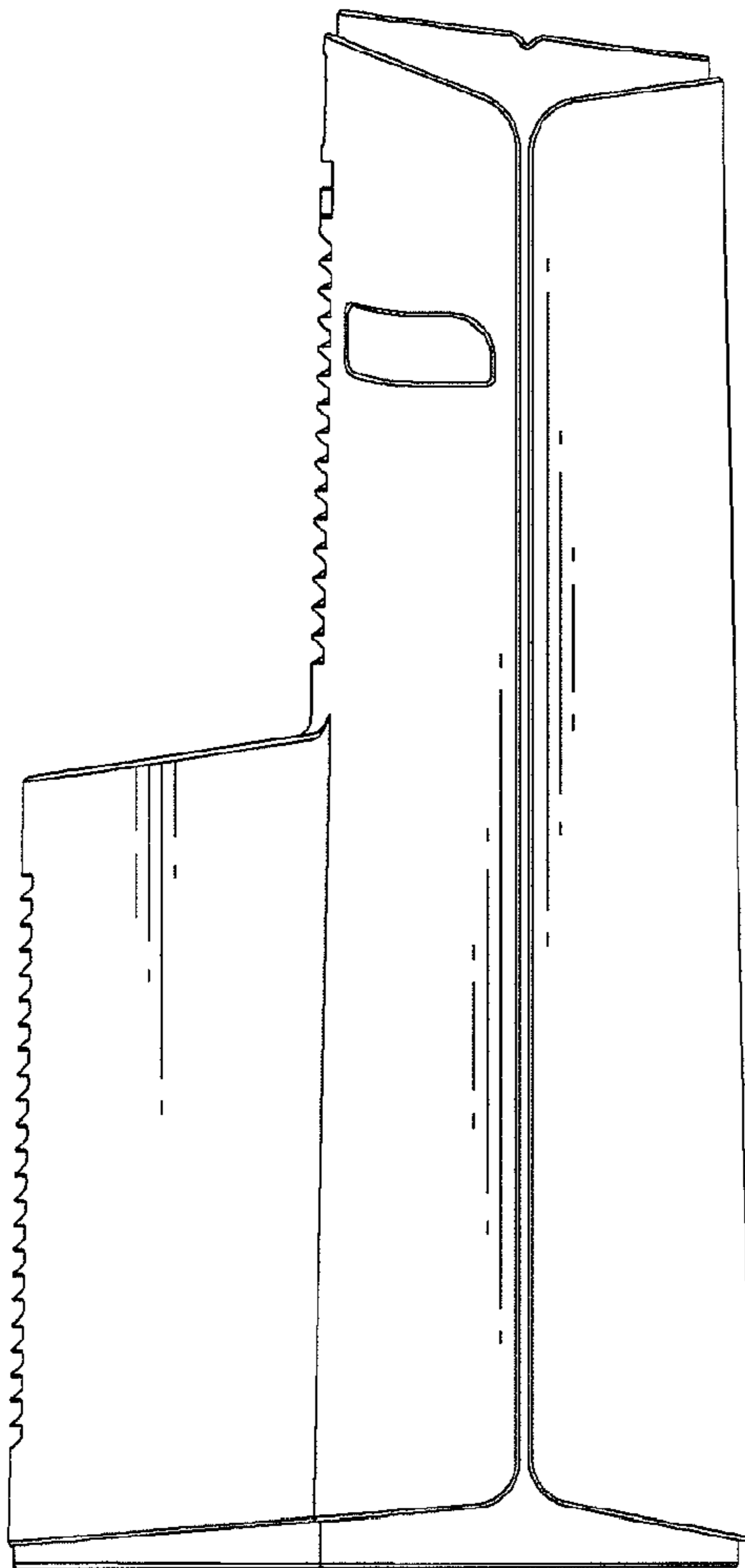


FIG. 5

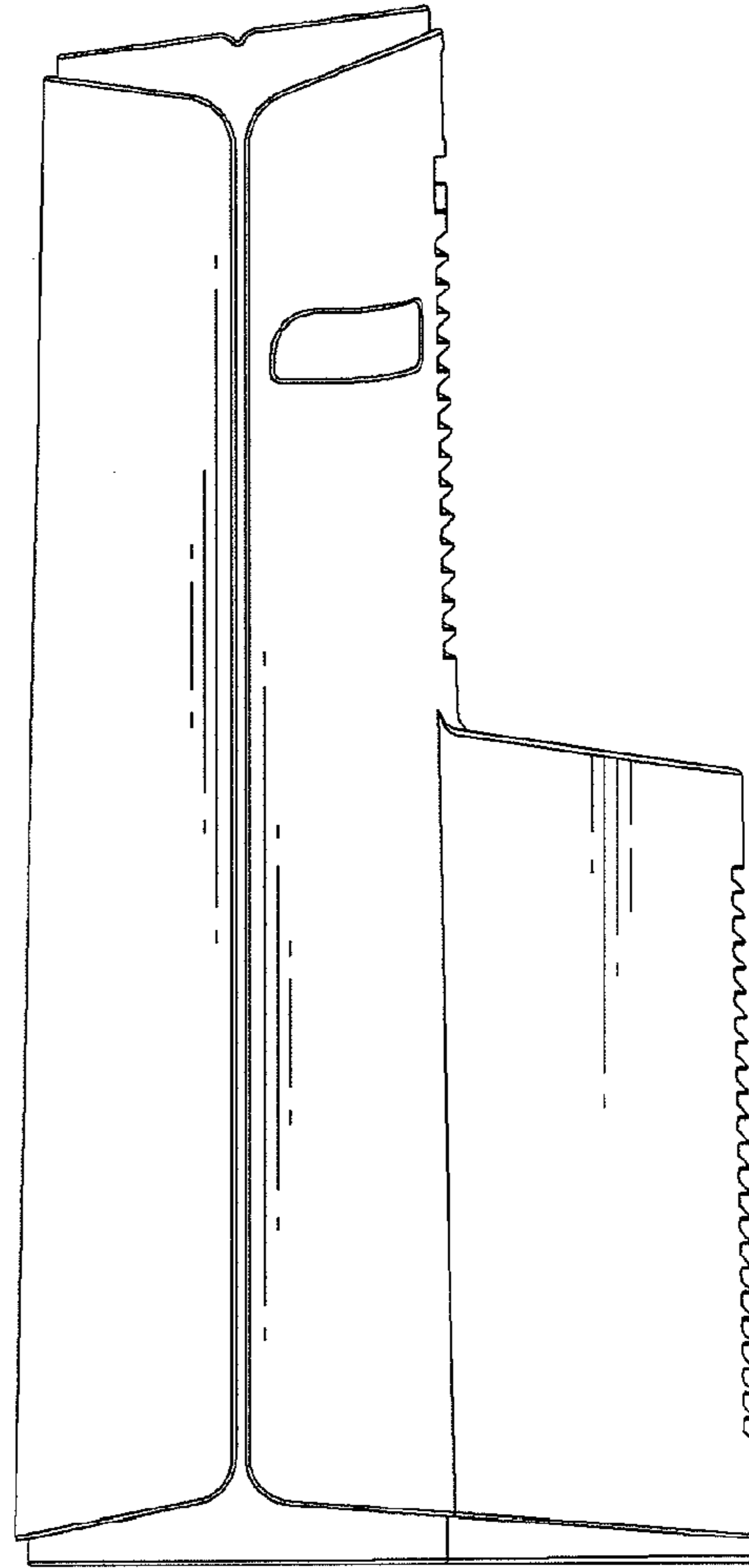


FIG.6

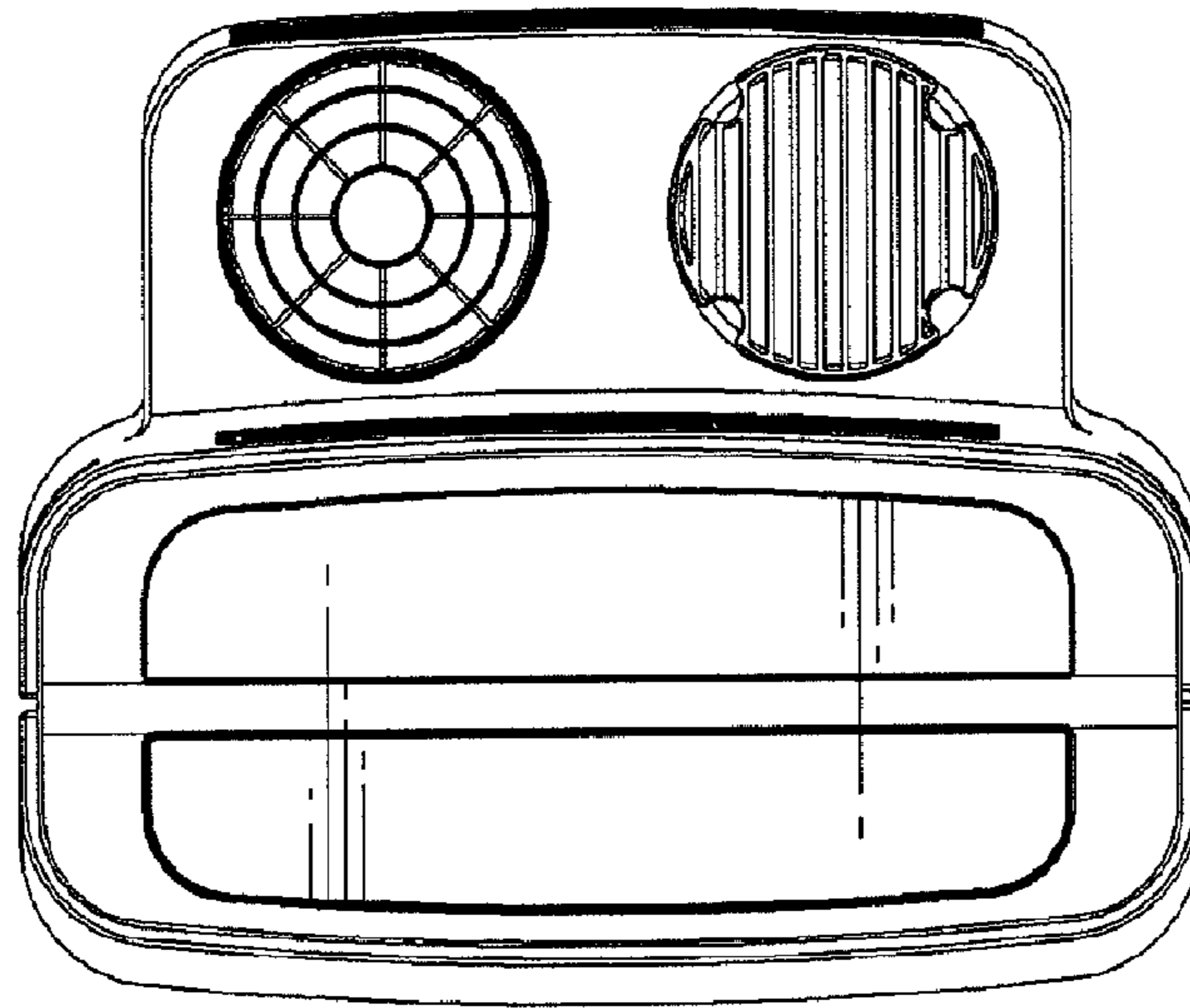


FIG.7

