



US00D598085S

(12) **United States Design Patent**
Booth

(10) **Patent No.:** **US D598,085 S**

(45) **Date of Patent:** **** Aug. 11, 2009**

(54) **SINK**

(75) Inventor: **Shawn J. Booth**, Sheboygan, WI (US)

(73) Assignee: **Kohler Co.**, Kohler, WI (US)

(**) Term: **14 Years**

(21) Appl. No.: **29/306,361**

(22) Filed: **Apr. 8, 2008**

(51) **LOC (9) Cl.** **23-02**

(52) **U.S. Cl.** **D23/308**

(58) **Field of Classification Search** D23/271-274,
D23/284, 287, 291-293.1, 303, 308; 4/630,
4/631, 637, 638, 661, 639-642, 619, 663-664,
4/660

See application file for complete search history.

(56) **References Cited**

U.S. PATENT DOCUMENTS

D524,429 S * 7/2006 Bates D23/293.1
D536,131 S * 1/2007 Kipry et al. D28/18

FOREIGN PATENT DOCUMENTS

DE M9700595 8/1997
FR 485 057 11/1997

OTHER PUBLICATIONS

Kohler Co. "Pro Cookware". Model Nos. K-6023, K-6611, K6613
and K-6614. Kohler Co. online catalog. Copyright 2008 Kohler Co.

* cited by examiner

Primary Examiner—Robert A Delehanty

(74) *Attorney, Agent, or Firm*—Quarles & Brady LLP

(57) **CLAIM**

The ornamental design for a sink, as shown and described.

DESCRIPTION

In a preferred embodiment, the nature of this product is as a plumbing fixture in the form of a sink which is primarily useful for washing various items and the body parts of humans.

FIG. 1 is a left, top, front perspective view of a sink embodying my new design;

FIG. 2 is a top plan view thereof;

FIG. 3 is a front elevational view thereof, the rear elevational view thereof being a mirror image of the front shown;

FIG. 4 is a left side elevational view thereof, the right side elevational view thereof being a mirror image of the left side shown;

FIG. 5 is a sectional view taken along line 5—5 in FIG. 2; and,

FIG. 6 is a bottom plan view thereof.

The broken line representations in the figures are for the purpose of illustration only, and form no part of the claimed design.

1 Claim, 3 Drawing Sheets

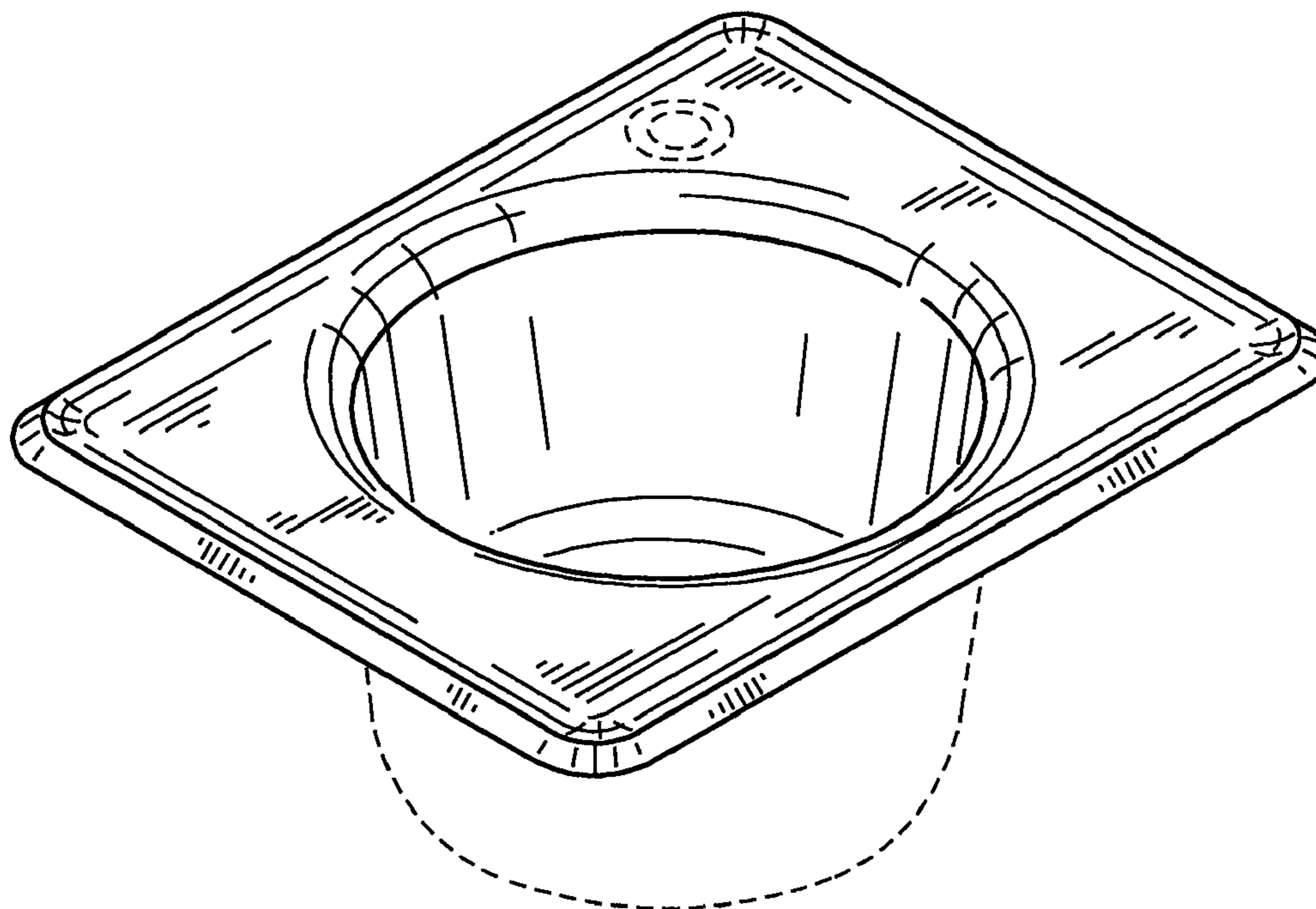


FIG. 1

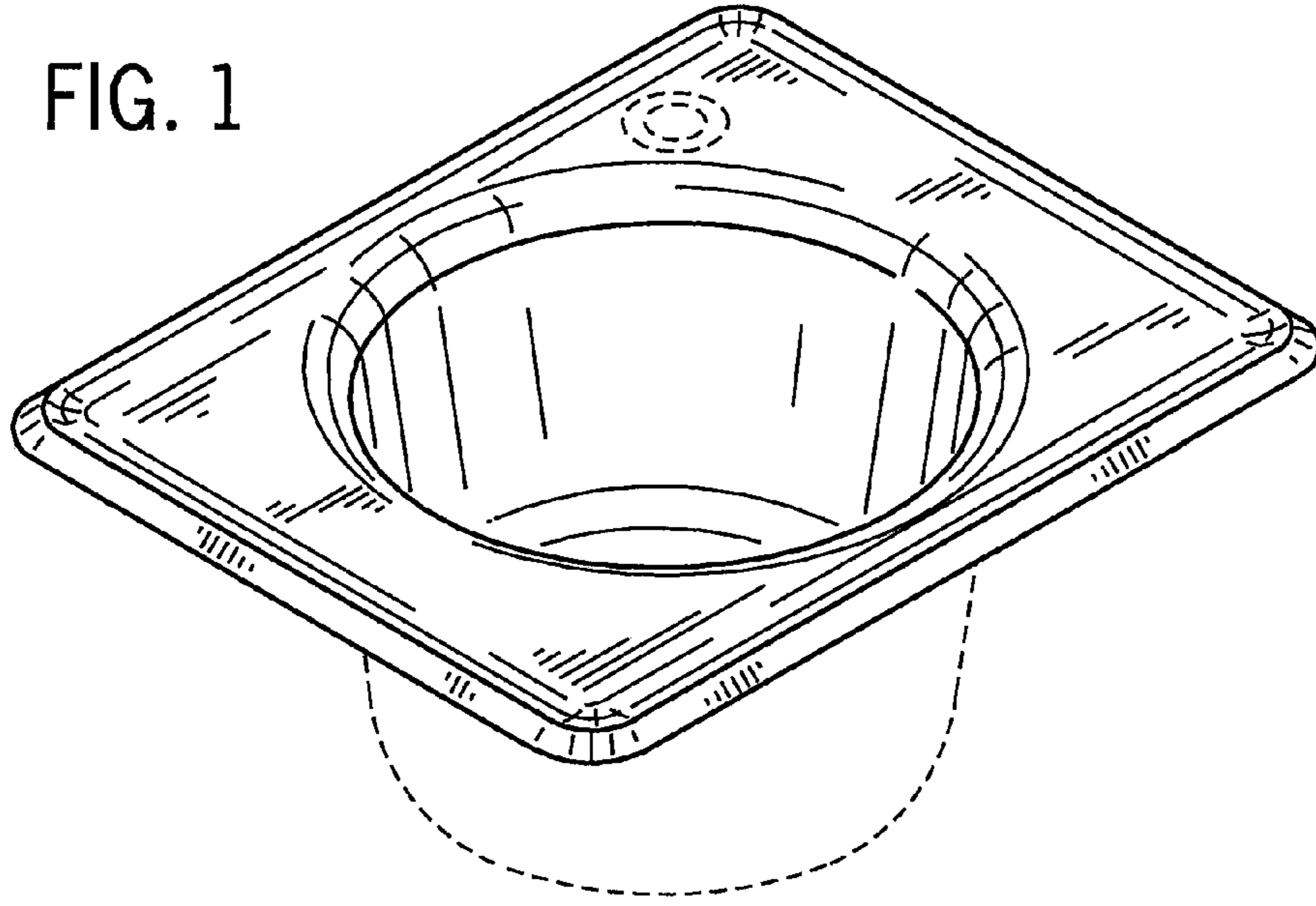


FIG. 2

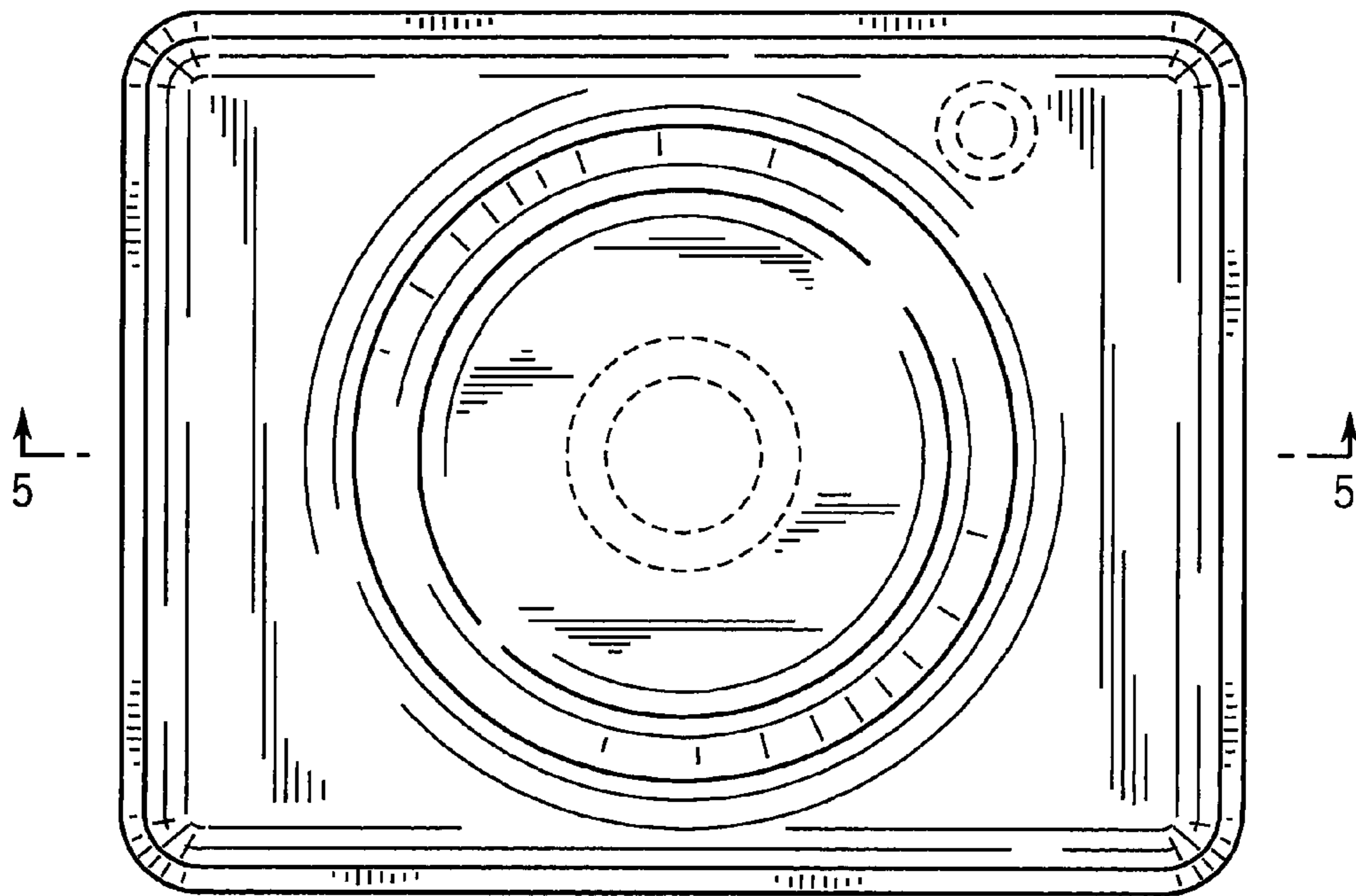


FIG. 3

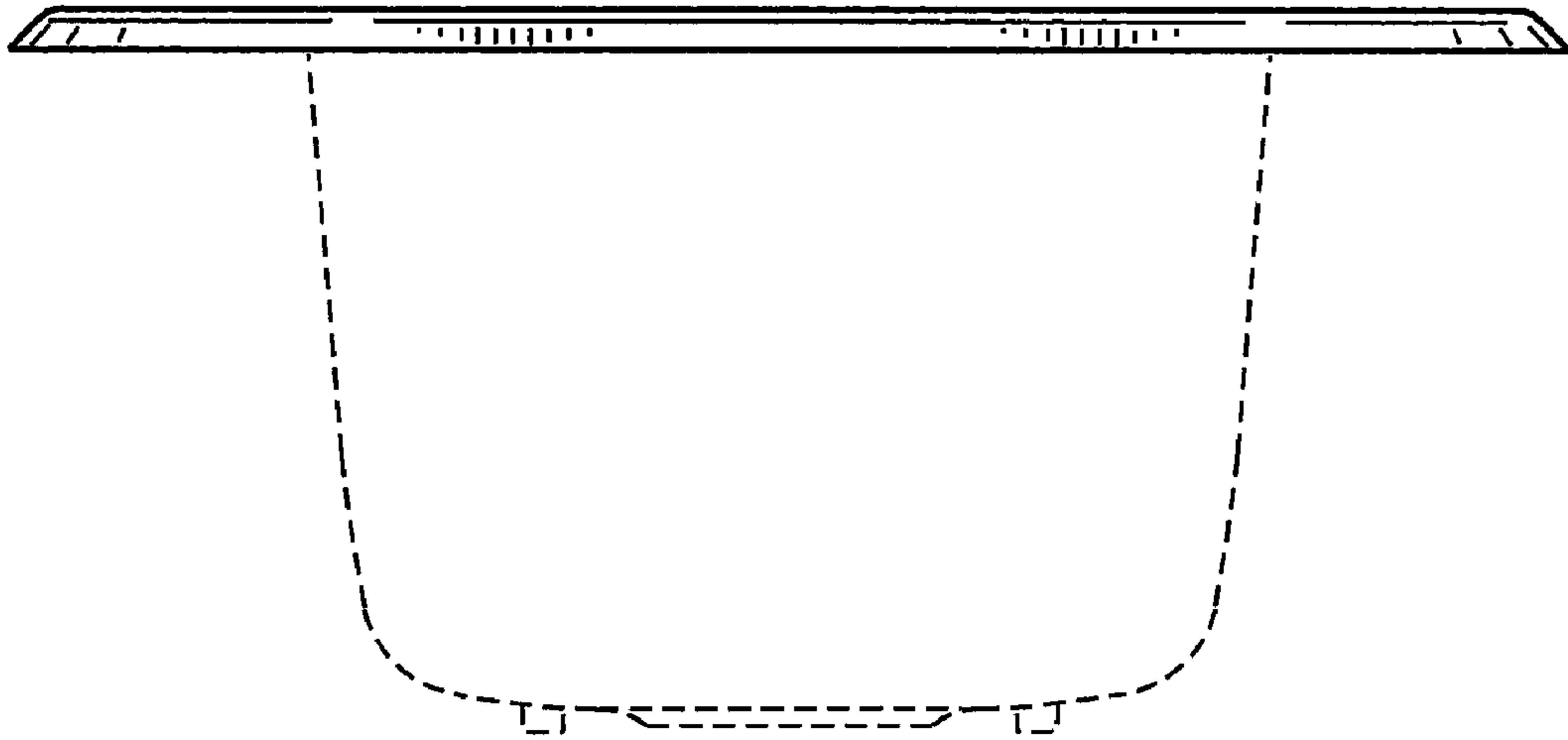


FIG. 4

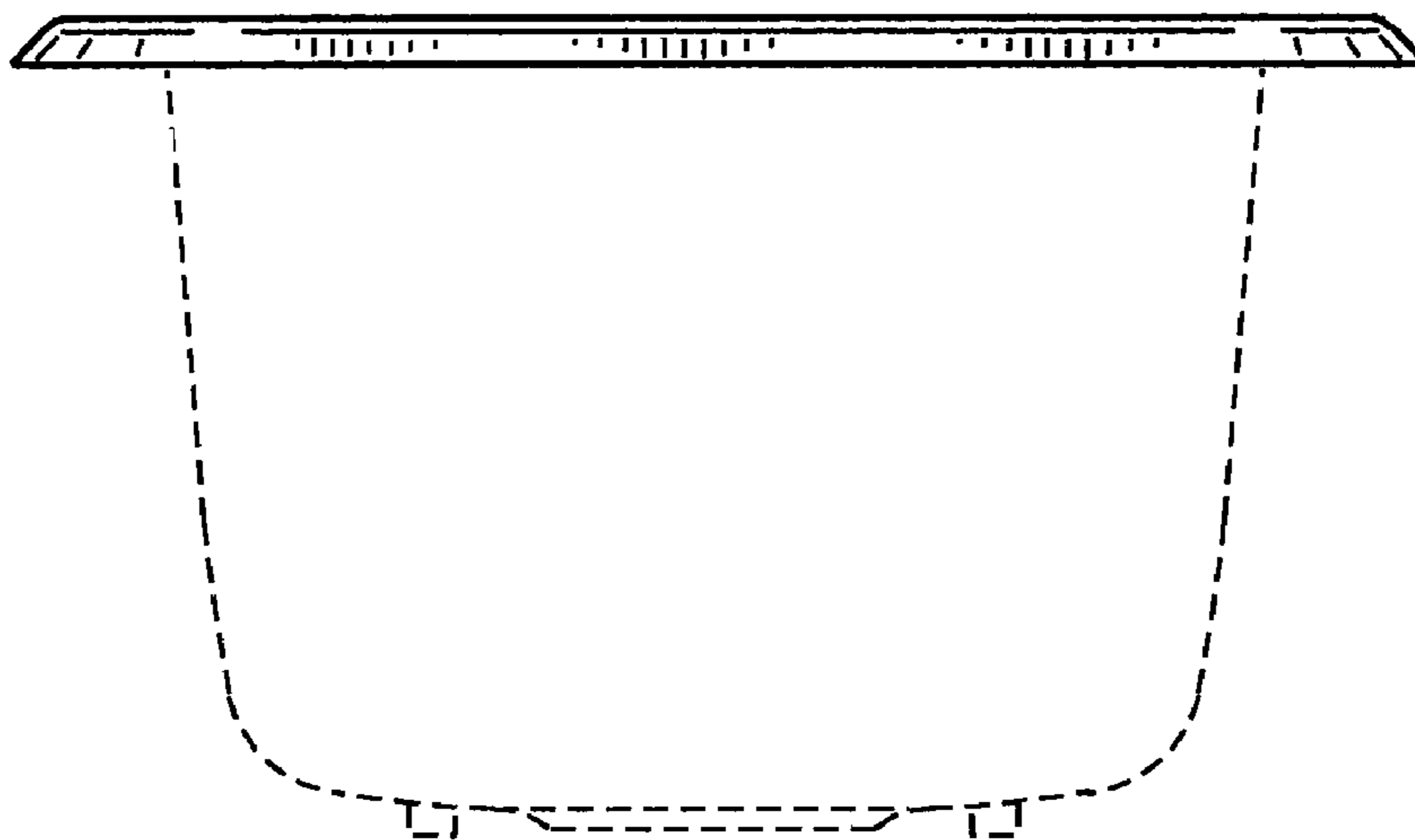


FIG. 5

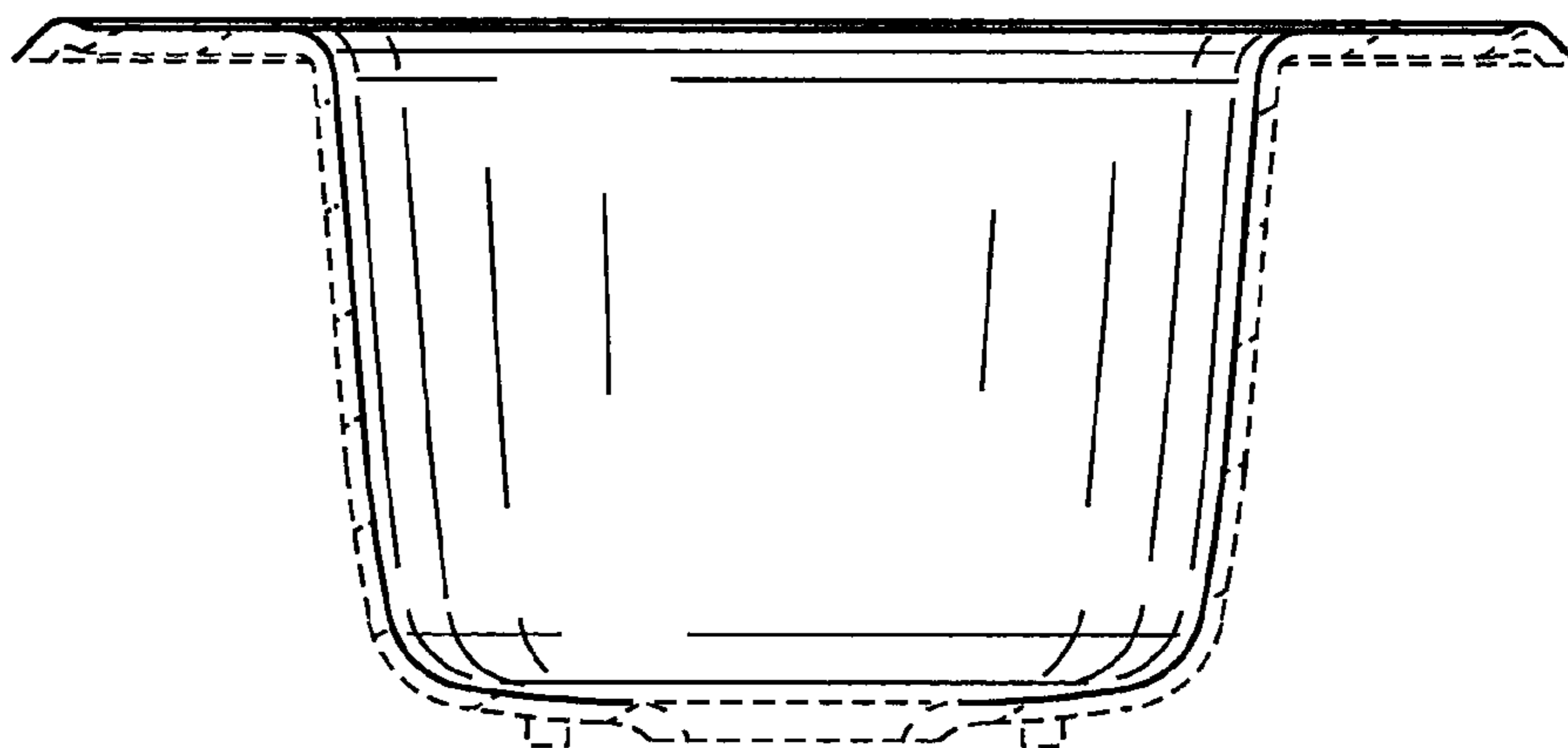


FIG. 6

