



US00D598084S

(12) **United States Design Patent**
Lebrun et al.

(10) **Patent No.:** **US D598,084 S**

(45) **Date of Patent:** **** Aug. 11, 2009**

(54) **BATHTUB BOTTOM WALL STEP**

D564,638 S * 3/2008 Cunningham D23/280.1
D573,700 S * 7/2008 Clarke D23/279

(75) Inventors: **Nicolas Lebrun**, Saint-Isidore (CA);
David Sauvageau, Saint-Romuald (CA)

FOREIGN PATENT DOCUMENTS

(73) Assignee: **Maax US Corp.**, Wilmington, DE (US)

WO 8800037 1/1988

(**) Term: **14 Years**

* cited by examiner

(21) Appl. No.: **29/302,405**

Primary Examiner—Robert A Delehanty

(22) Filed: **Jan. 16, 2008**

(74) *Attorney, Agent, or Firm*—Kathrine R. Britt; Borden
Ladner Gervais LLP

(51) **LOC (9) Cl.** **23-02**

(52) **U.S. Cl.** **D23/304**

(58) **Field of Classification Search** D23/293,
D23/275–280.1, 303, 304–306; D24/204;
4/663, 538–539, 541.1, 546, 586, 574.1

See application file for complete search history.

(57) **CLAIM**

The ornamental design for a bathtub bottom wall step defined therein, as shown and described.

(56) **References Cited**

U.S. PATENT DOCUMENTS

D212,452 S * 10/1968 De Vane D24/204
D274,835 S * 7/1984 Gruber D23/280.1
D345,278 S * 3/1994 Hamilton et al. D23/304
D387,143 S * 12/1997 McCarroll D23/304
5,715,546 A * 2/1998 Kvalvik 4/580
D405,167 S * 2/1999 Zeidner D23/277
D446,574 S * 8/2001 Thomas et al. D23/280.1
D455,820 S * 4/2002 Thomas et al. D23/280.1
D539,393 S * 3/2007 Hashida D23/277

DESCRIPTION

FIG. 1 is a perspective view of a bathtub bottom wall step defined therein, where an occupant can sit and rest his feet;
FIG. 2 is a right side elevation view thereof, the left side being a mirror image thereof;

FIG. 3 is a top plan view thereof;

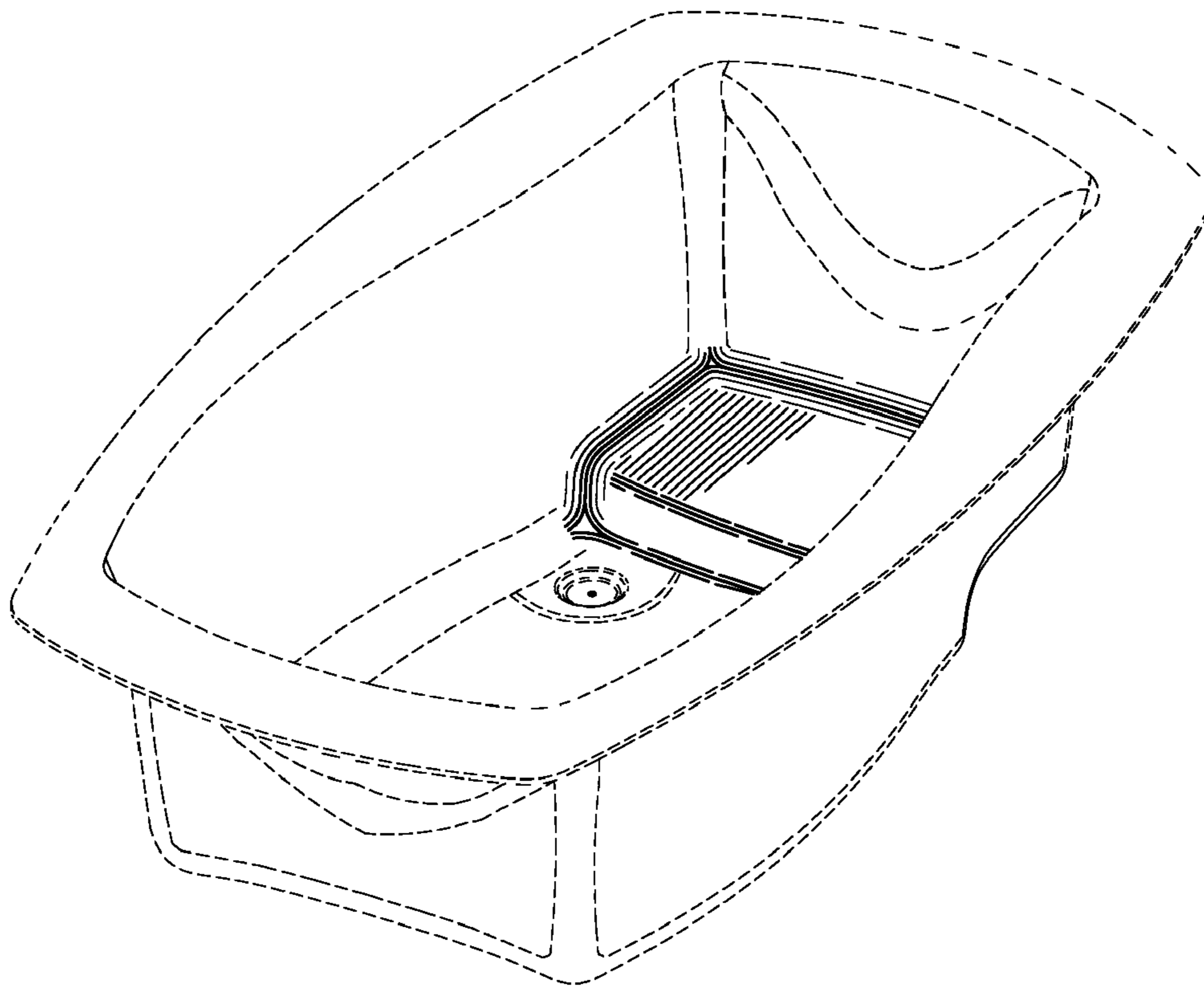
FIG. 4 is a rear elevation view thereof;

FIG. 5 is a front elevation view thereof; and,

FIG. 6 is a bottom plan view thereof.

The parts shown in dotted lines form no part of the invention.

1 Claim, 3 Drawing Sheets



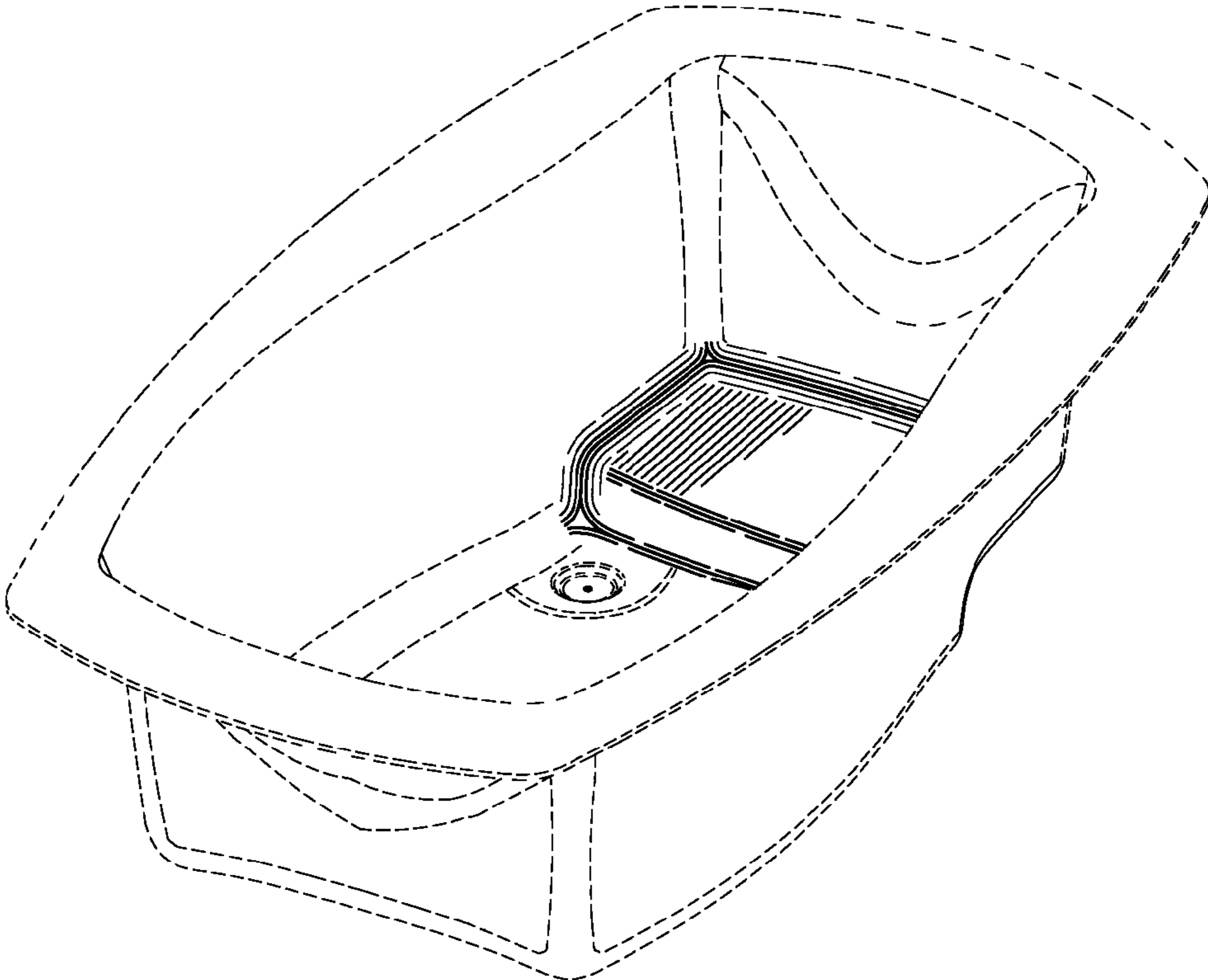


FIG. 1

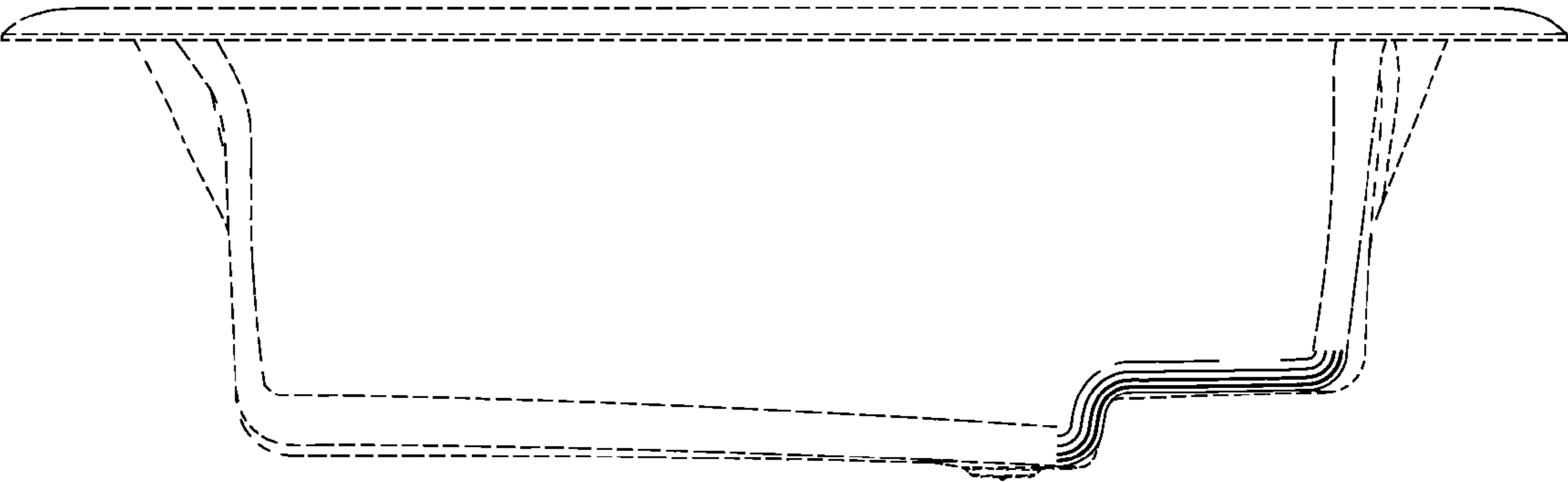


FIG. 2

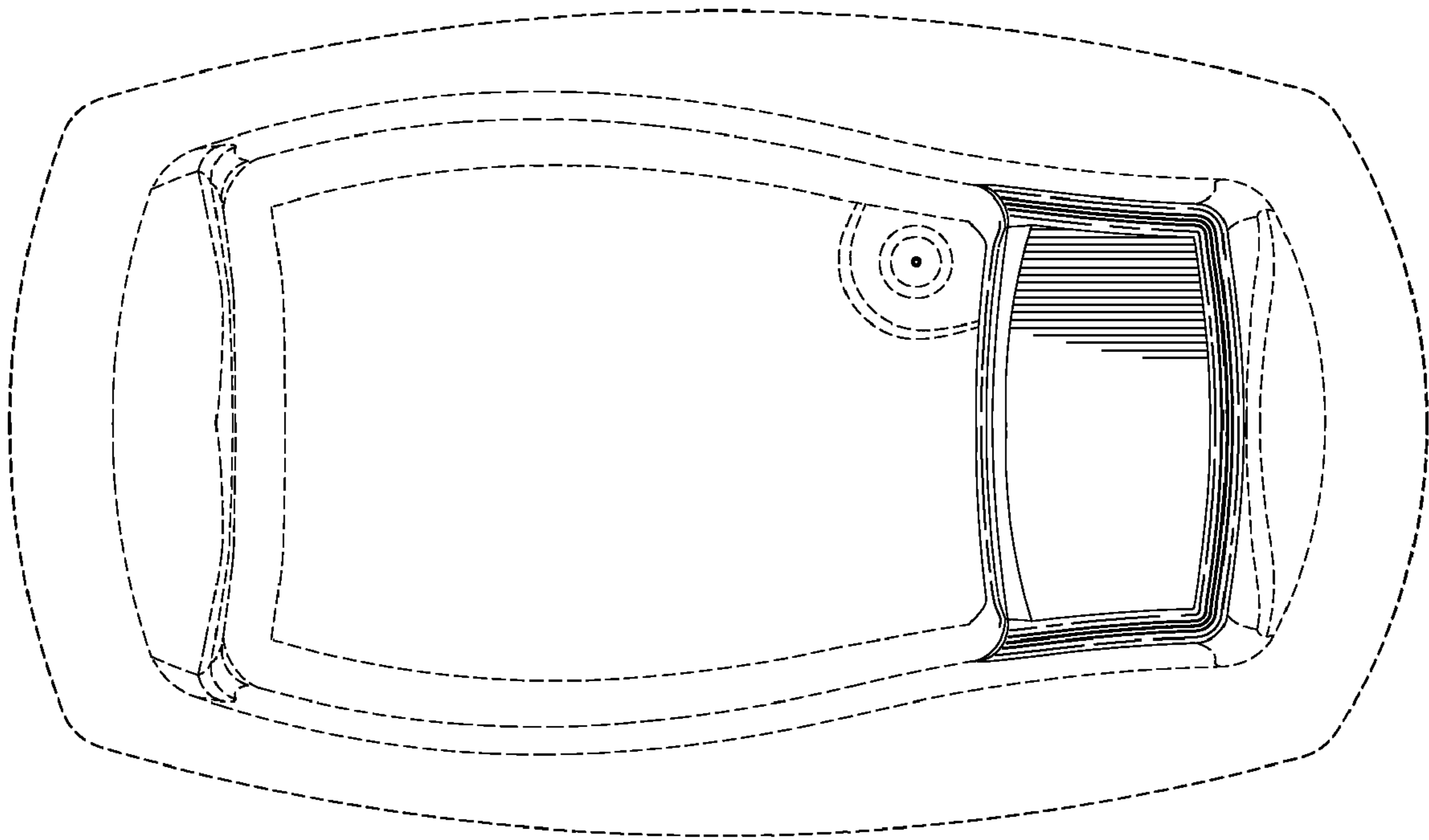


FIG. 3

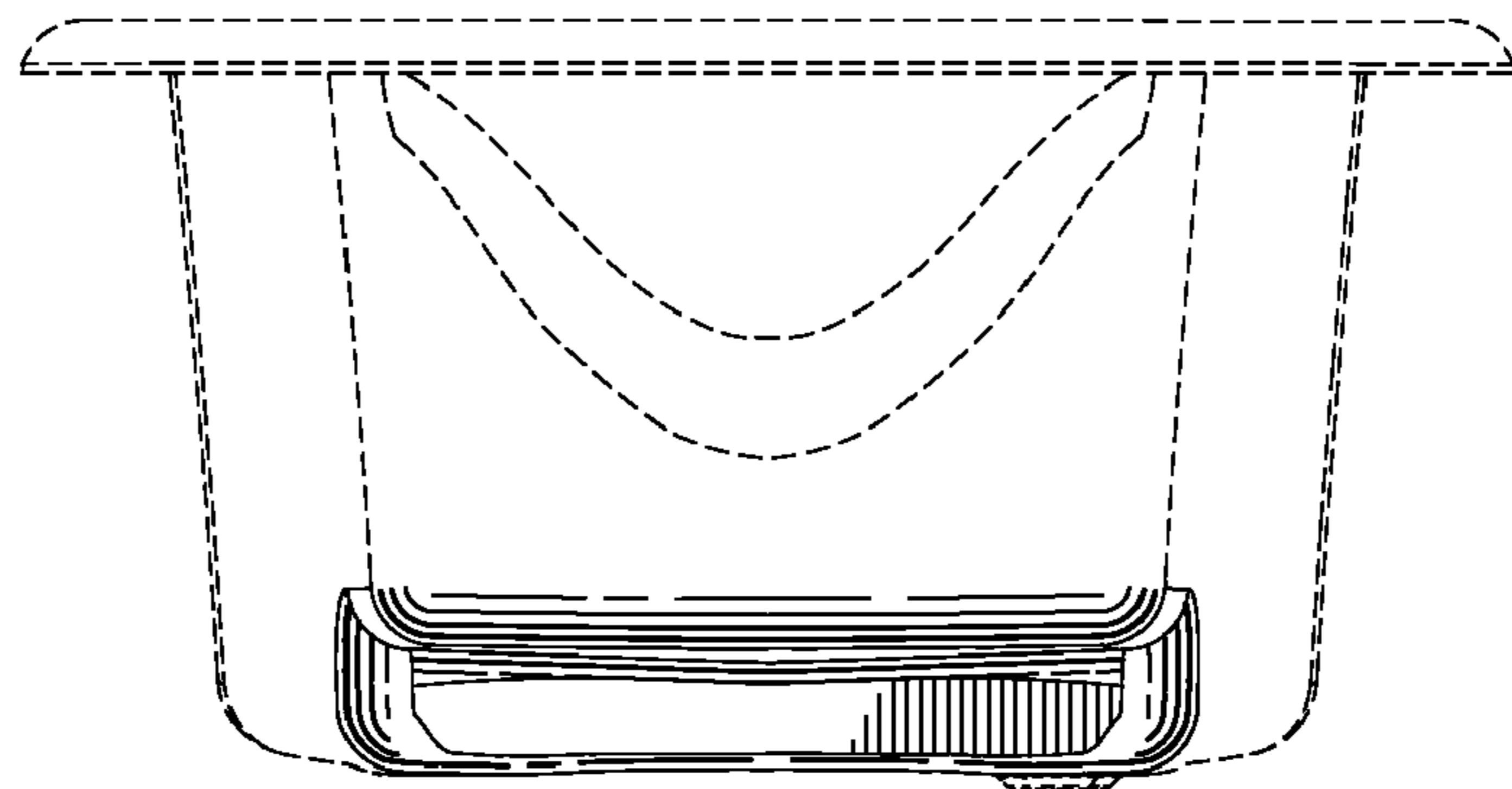


FIG. 4

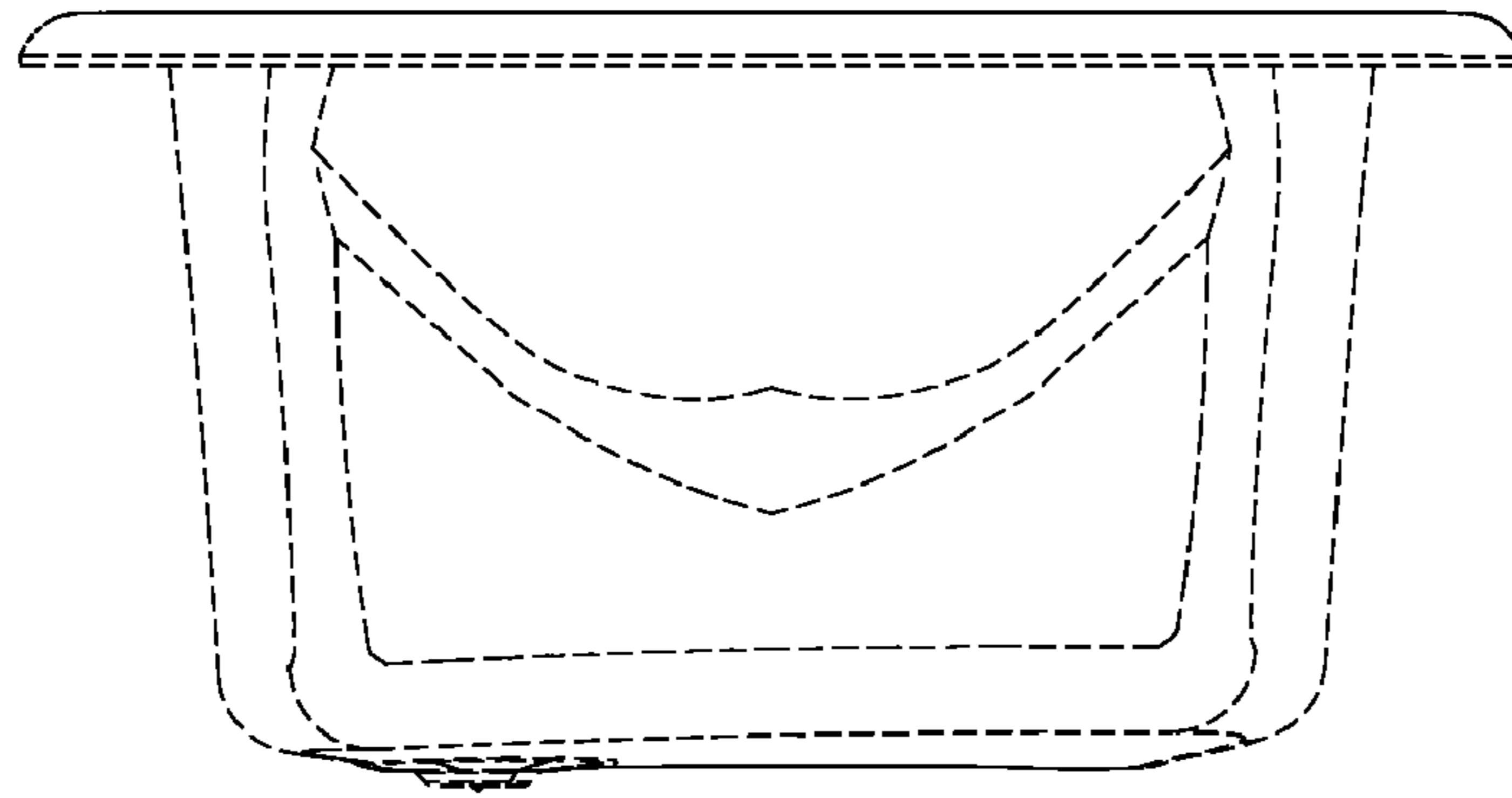


FIG. 5

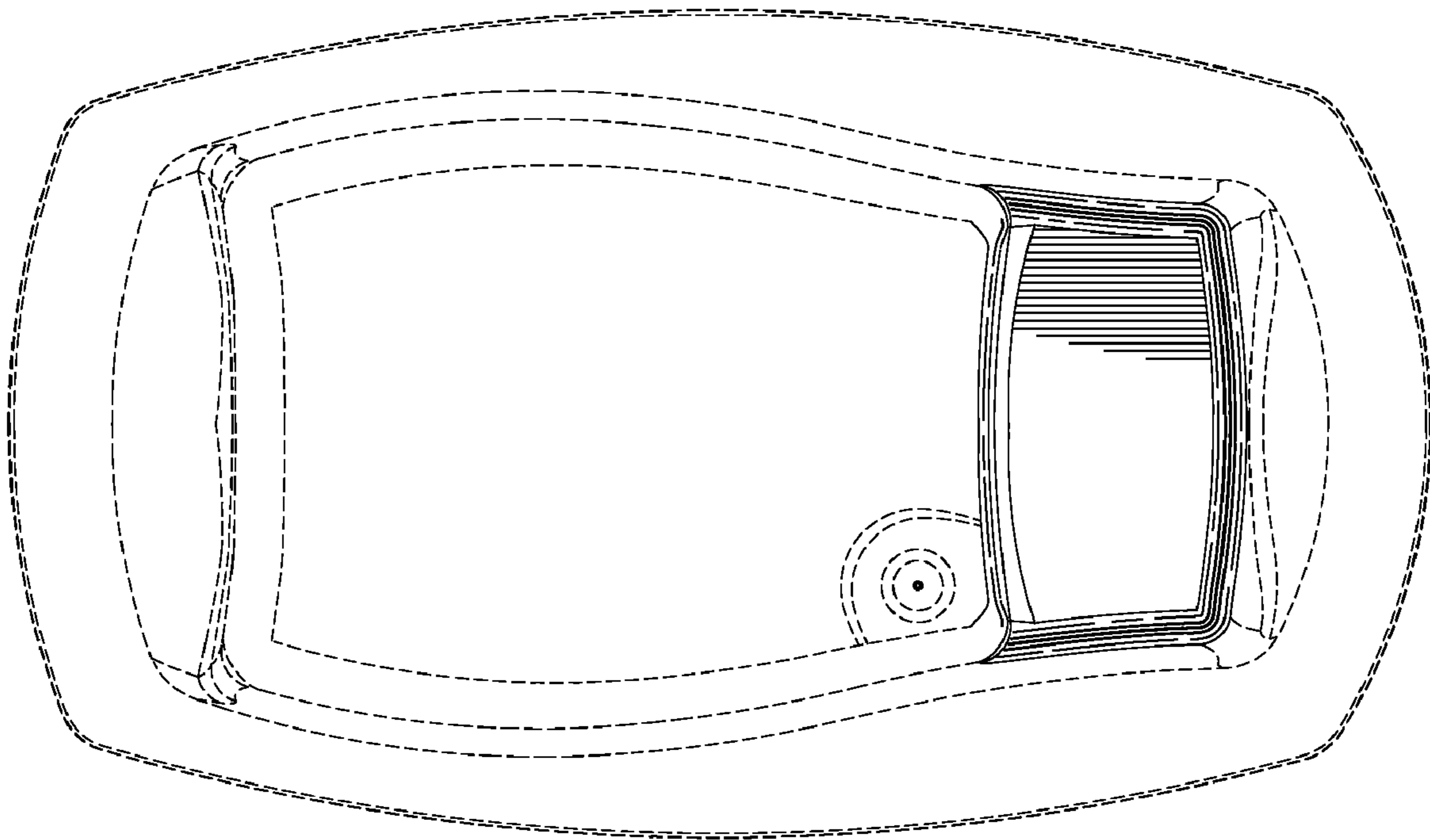


FIG. 6