



US00D598083S

(12) **United States Design Patent**  
**Allen**

(10) **Patent No.:** **US D598,083 S**

(45) **Date of Patent:** **\*\* Aug. 11, 2009**

(54) **LAVATORY**

(75) Inventor: **Carl S. Allen**, Brooklyn, NY (US)

(73) Assignee: **Kohler Co.**, Kohler, WI (US)

(\*\*) Term: **14 Years**

(21) Appl. No.: **29/305,143**

(22) Filed: **Mar. 14, 2008**

(51) **LOC (9) Cl.** ..... **23-02**

(52) **U.S. Cl.** ..... **D23/293.1**

(58) **Field of Classification Search** ..... D23/270-274,  
D23/284, 285, 291, 293.1, 303, 308; 4/619,  
4/638, 650, 661

See application file for complete search history.

(56) **References Cited**

**U.S. PATENT DOCUMENTS**

3,034,149	A *	5/1962	Lyon	4/631
D292,609	S *	11/1987	Kolada	D23/293.1
D412,204	S	7/1999	Slothower et al.	
D495,038	S *	8/2004	Kakihana	D23/293.1
6,799,336	B2 *	10/2004	Freeman	4/619
D538,408	S *	3/2007	Soulier	D23/293.1

**OTHER PUBLICATIONS**

Nameeks. "Scarabeo". Model: Geo 8029 Supported Basin—ART. 8029. HomeClick.com online catalog. Copyright 2007 HomeClick.  
 Shane Black Design. "Resin Vessel". HomePortfolio.com online catalog. Copyright 1997-2007 HomePortfolio.com.  
 WS Bath Collections. "Acquaio 53702" vessel (oval). SinksGallery.com online catalog. Copyright 2006 Sinks Gallery.  
 Kohler Co. "WaterCove Wading Pool Lavatory". Model No. K-2332. Kohler Co. online catalog. Copyright 2008 Kohler Co.

\* cited by examiner

*Primary Examiner*—Robert A Delehanty  
(74) *Attorney, Agent, or Firm*—Quarles & Brady LLP

(57) **CLAIM**

The ornamental design for a lavatory, as shown and described.

**DESCRIPTION**

In a preferred embodiment, the nature of this product is as a plumbing fixture in the form of a lavatory which is primarily useful for washing various items and the body parts of humans.

FIG. 1 is a left, top, front perspective view of a lavatory embodying my new design;

FIG. 2 is a top plan view thereof;

FIG. 3 is a front elevational view thereof, the rear elevational view thereof being a mirror image of the front view shown;

FIG. 4 is a left side elevational view thereof, the right side elevational view thereof being a mirror image of the left side shown;

FIG. 5 is a bottom plan view thereof;

FIG. 6 is a left, top, front perspective view of a lavatory according to another embodiment of my new design;

FIG. 7 is a top plan view thereof;

FIG. 8 is a front elevational view thereof, left side, right side and rear elevational views thereof being identical to the front view shown;

FIG. 9 is a bottom plan view thereof;

FIG. 10 is a left, top, front perspective view of a lavatory according to another embodiment of my new design;

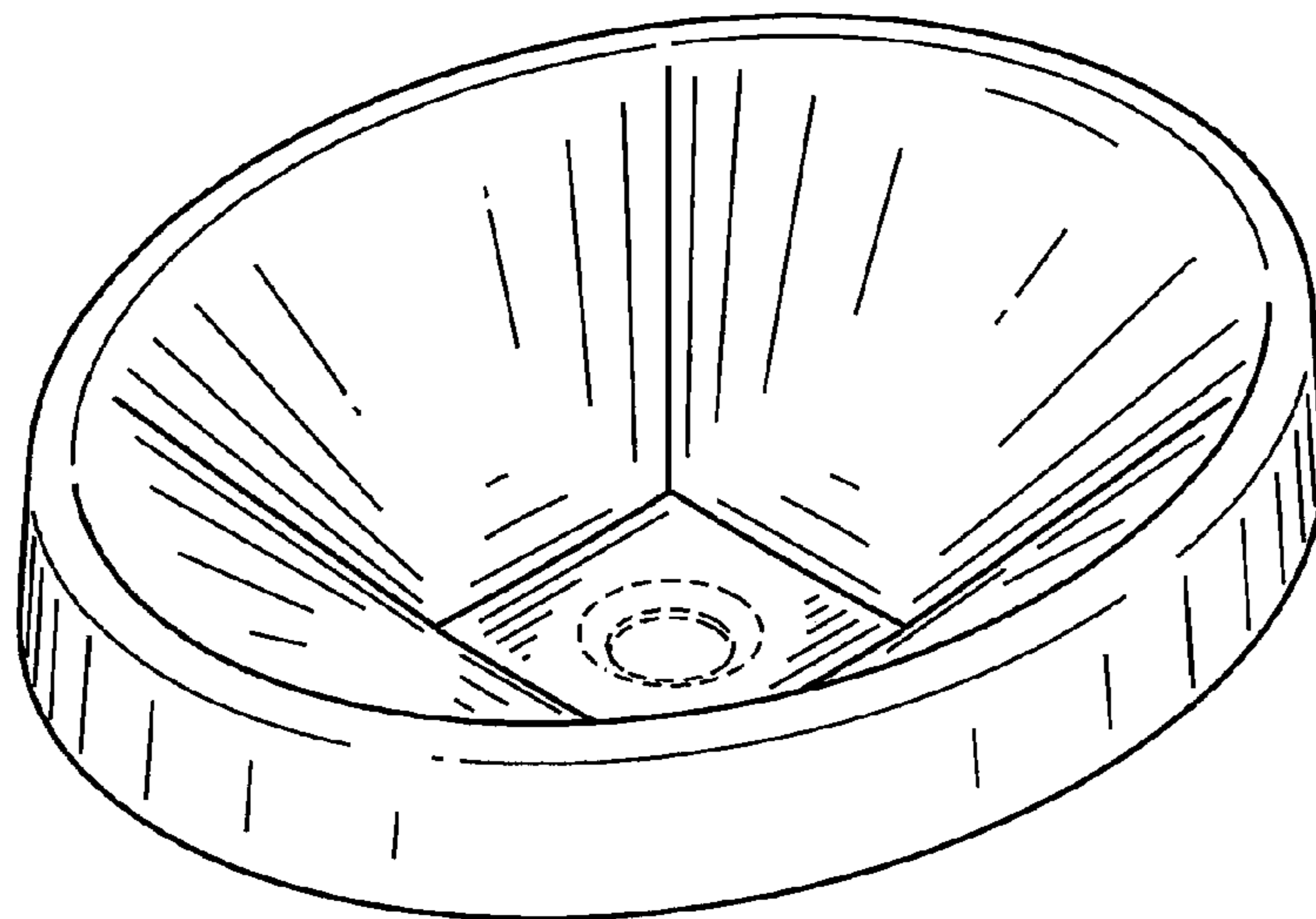
FIG. 11 is a top plan view thereof;

FIG. 12 is a front elevational view thereof, left side, right side and rear elevational views thereof being identical to the front view shown; and,

FIG. 13 is a bottom plan view thereof.

The broken line representations in the figures are for the purpose of illustration only, and form no part of the claimed design.

**1 Claim, 7 Drawing Sheets**



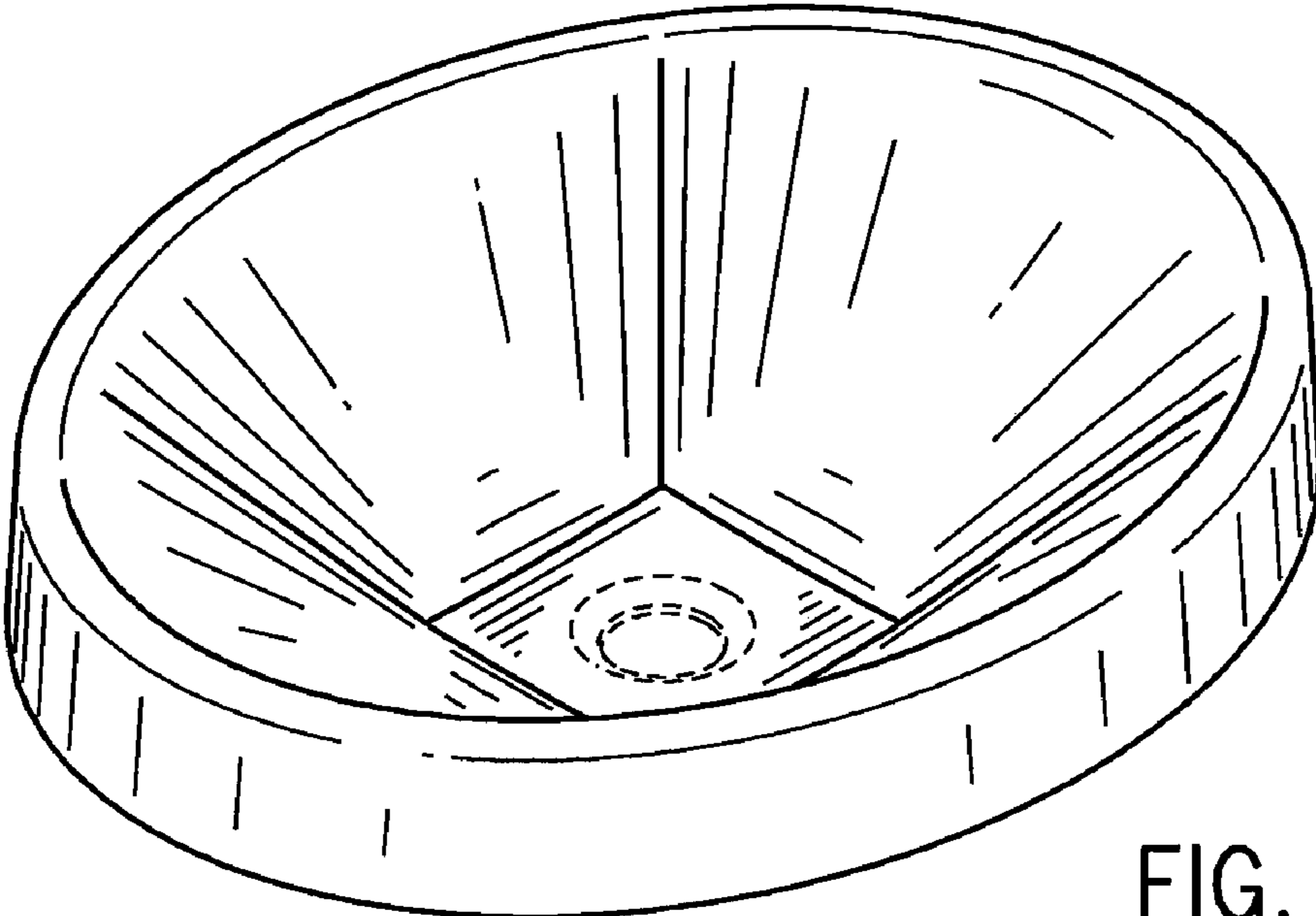


FIG. 1

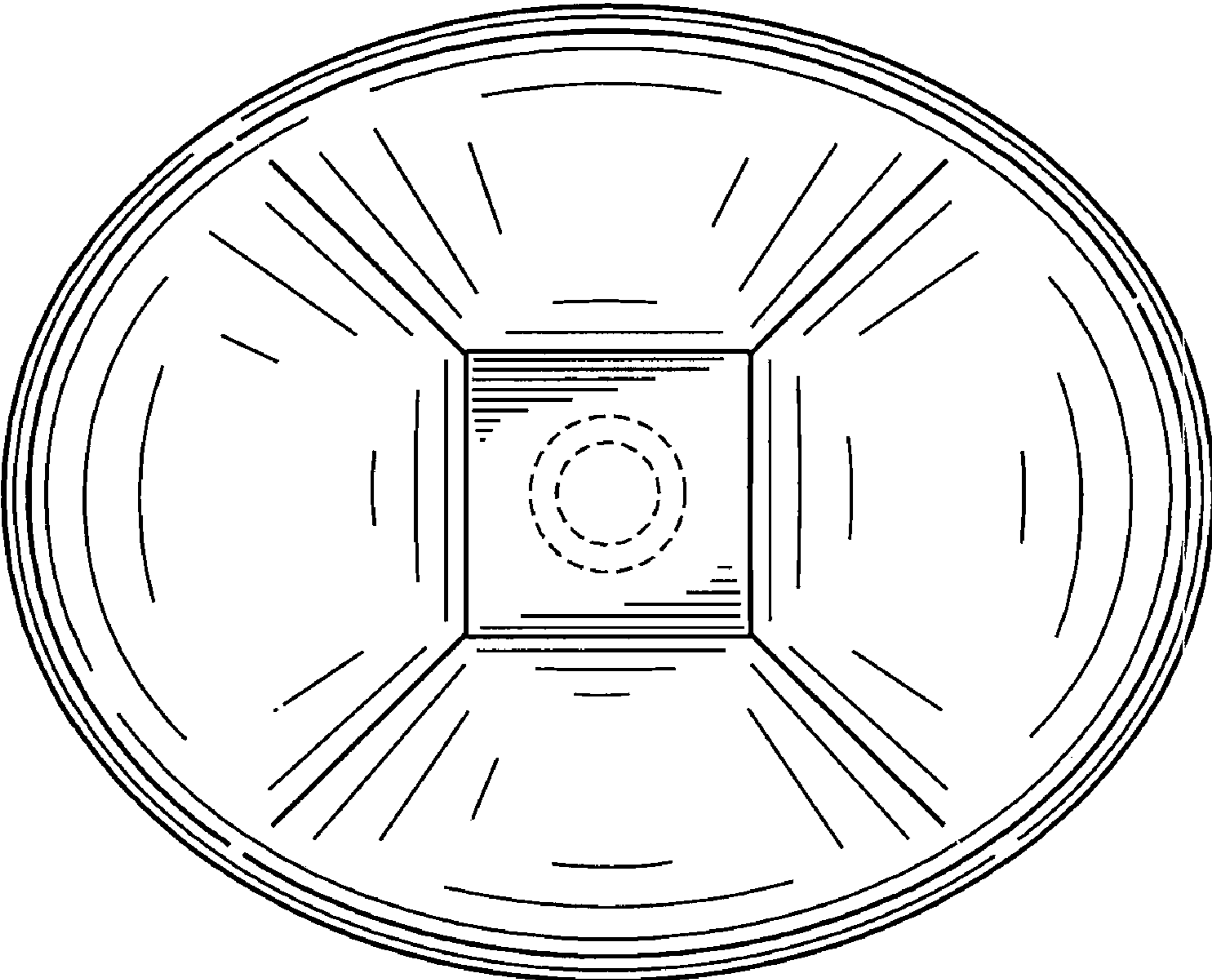


FIG. 2

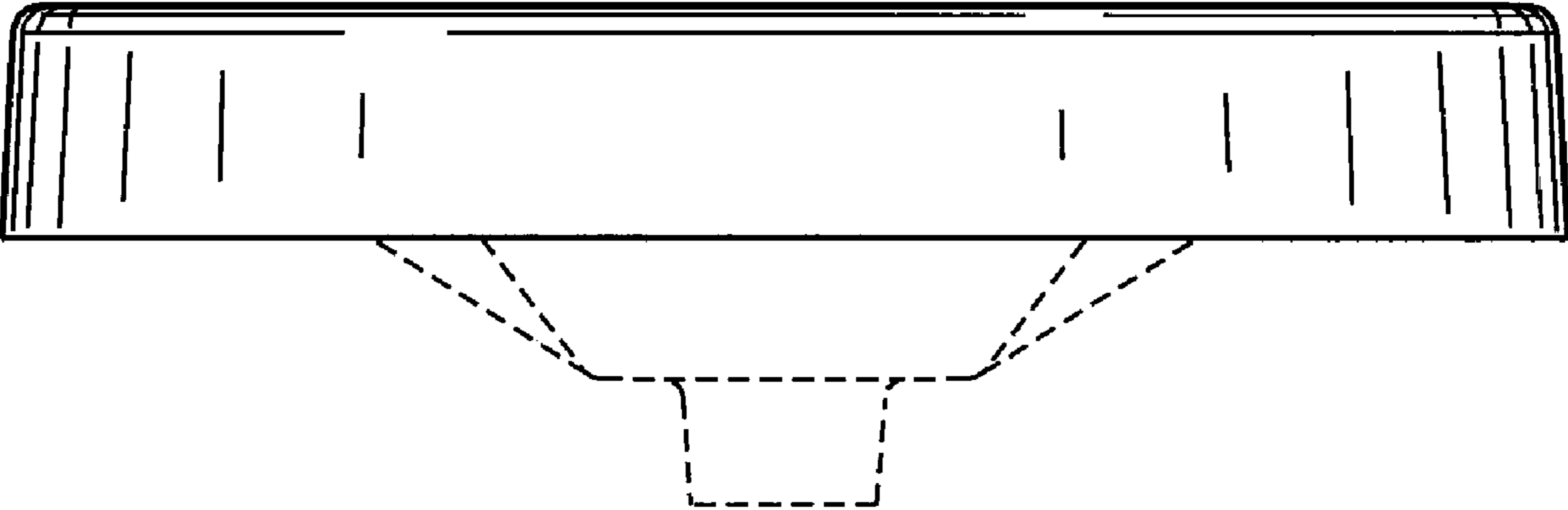


FIG. 3

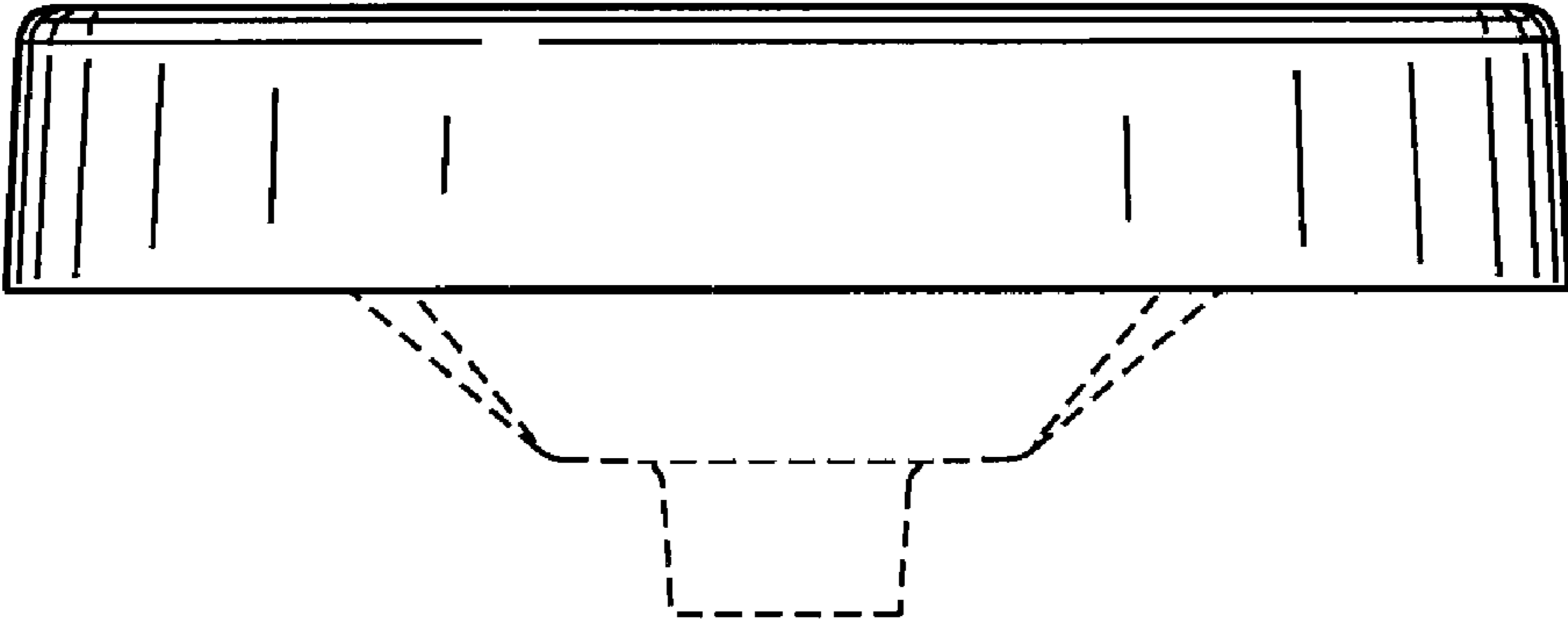


FIG. 4

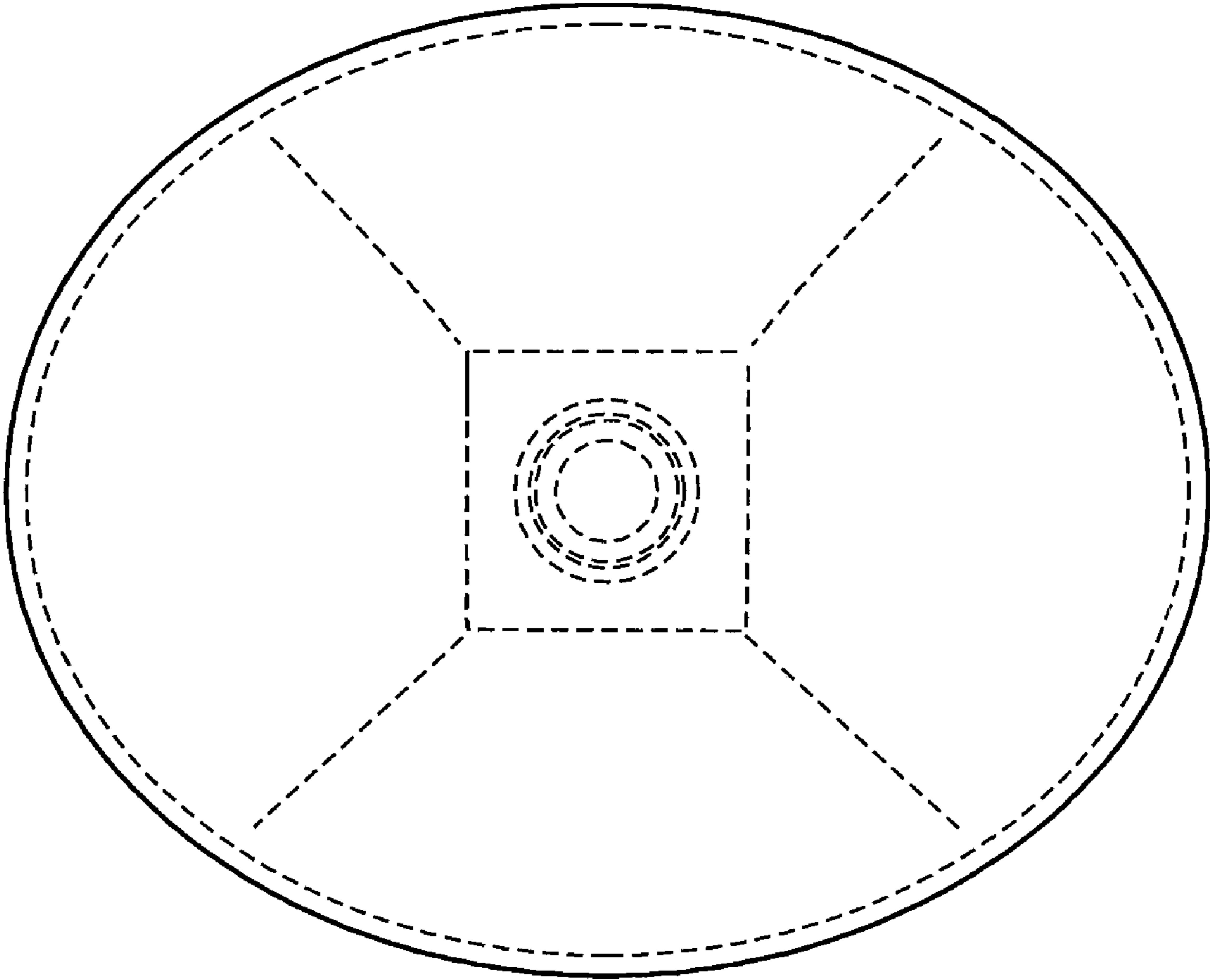


FIG. 5

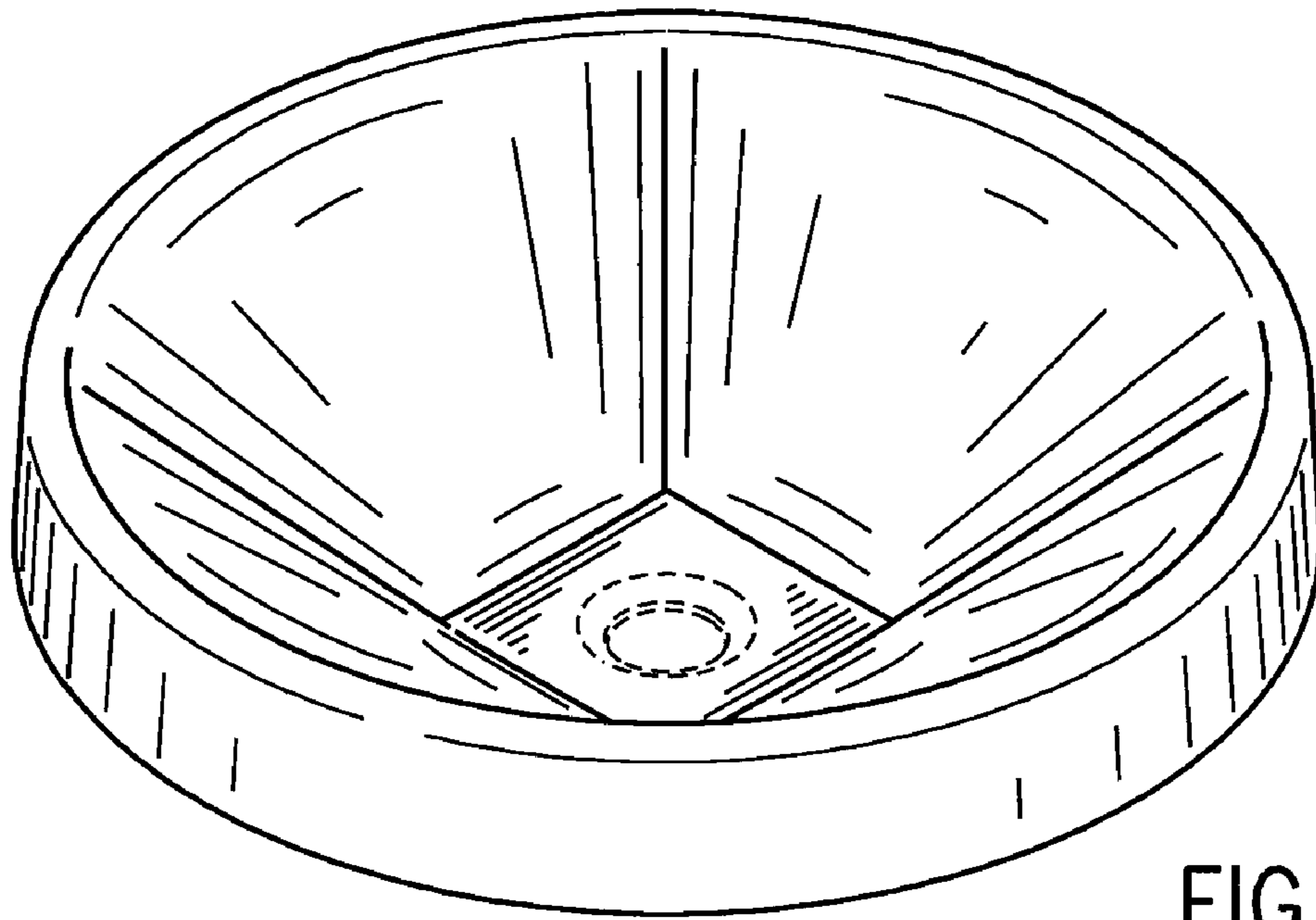


FIG. 6

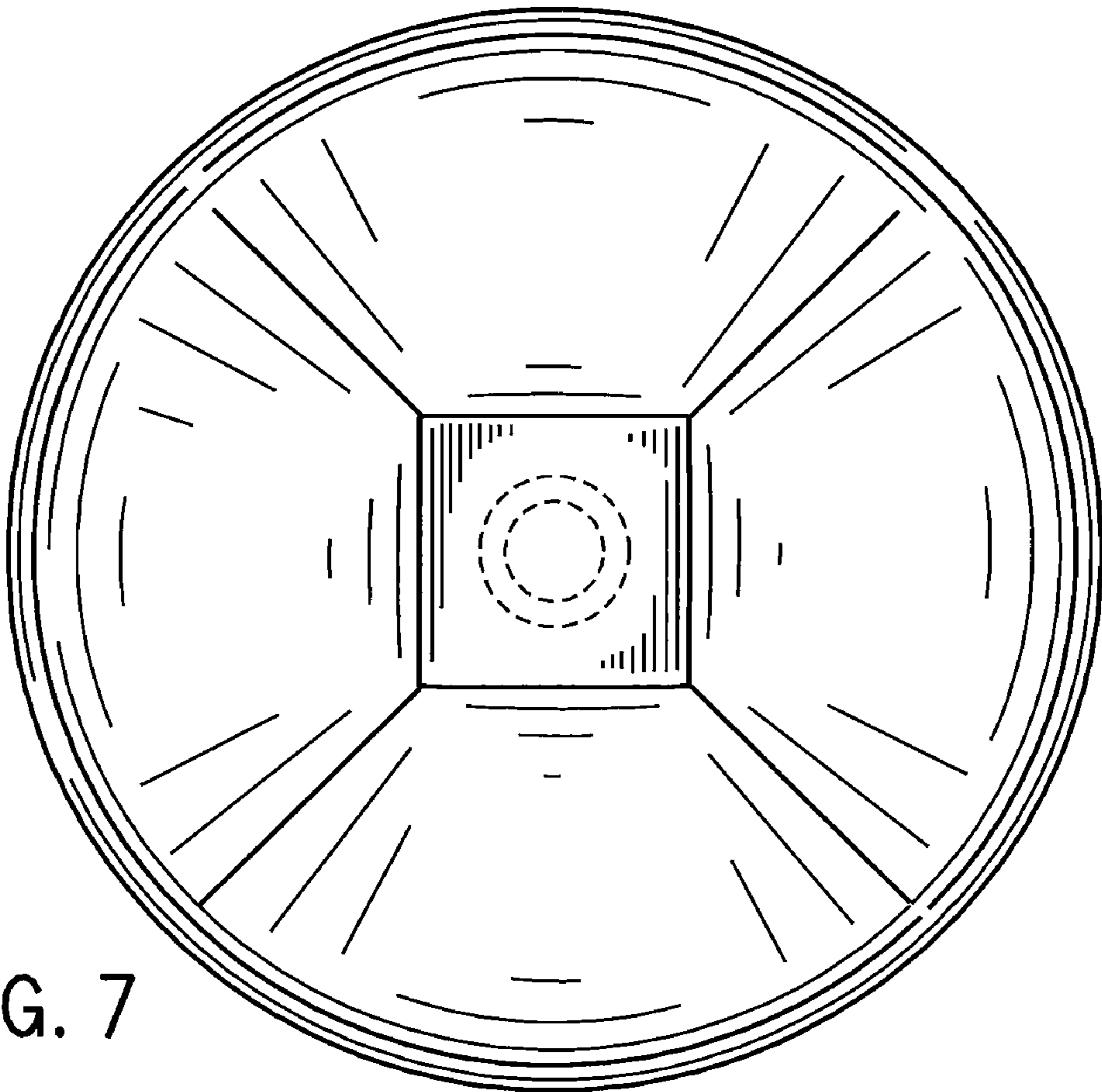


FIG. 7

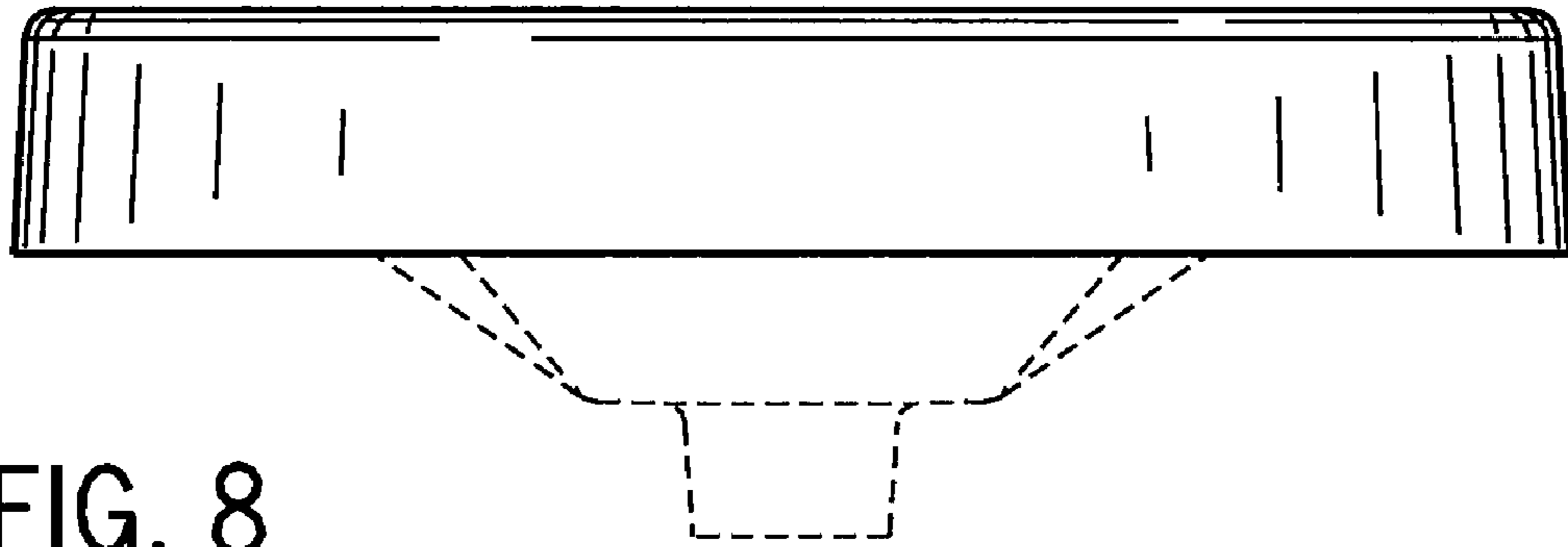


FIG. 8

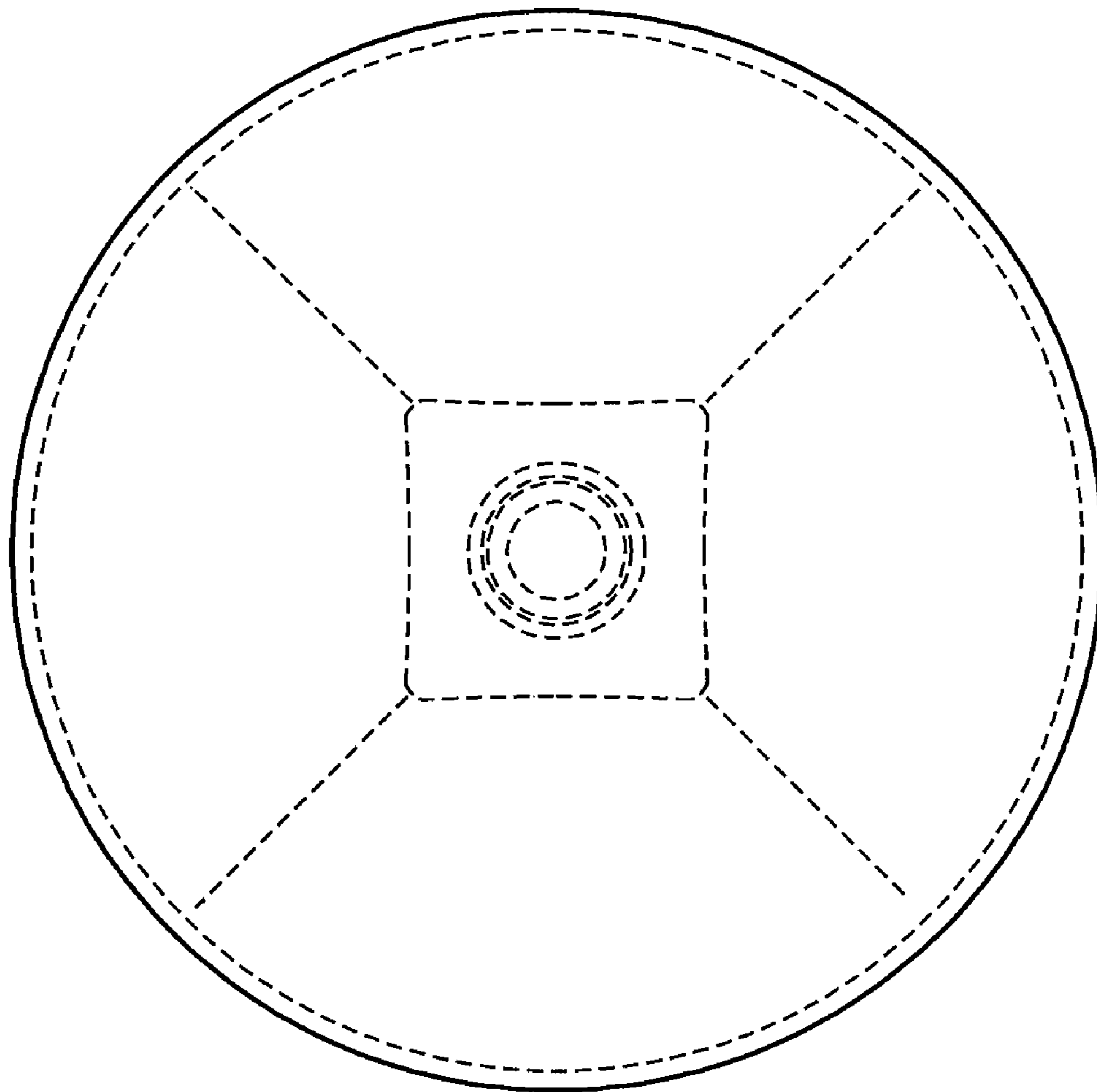


FIG. 9

FIG. 10

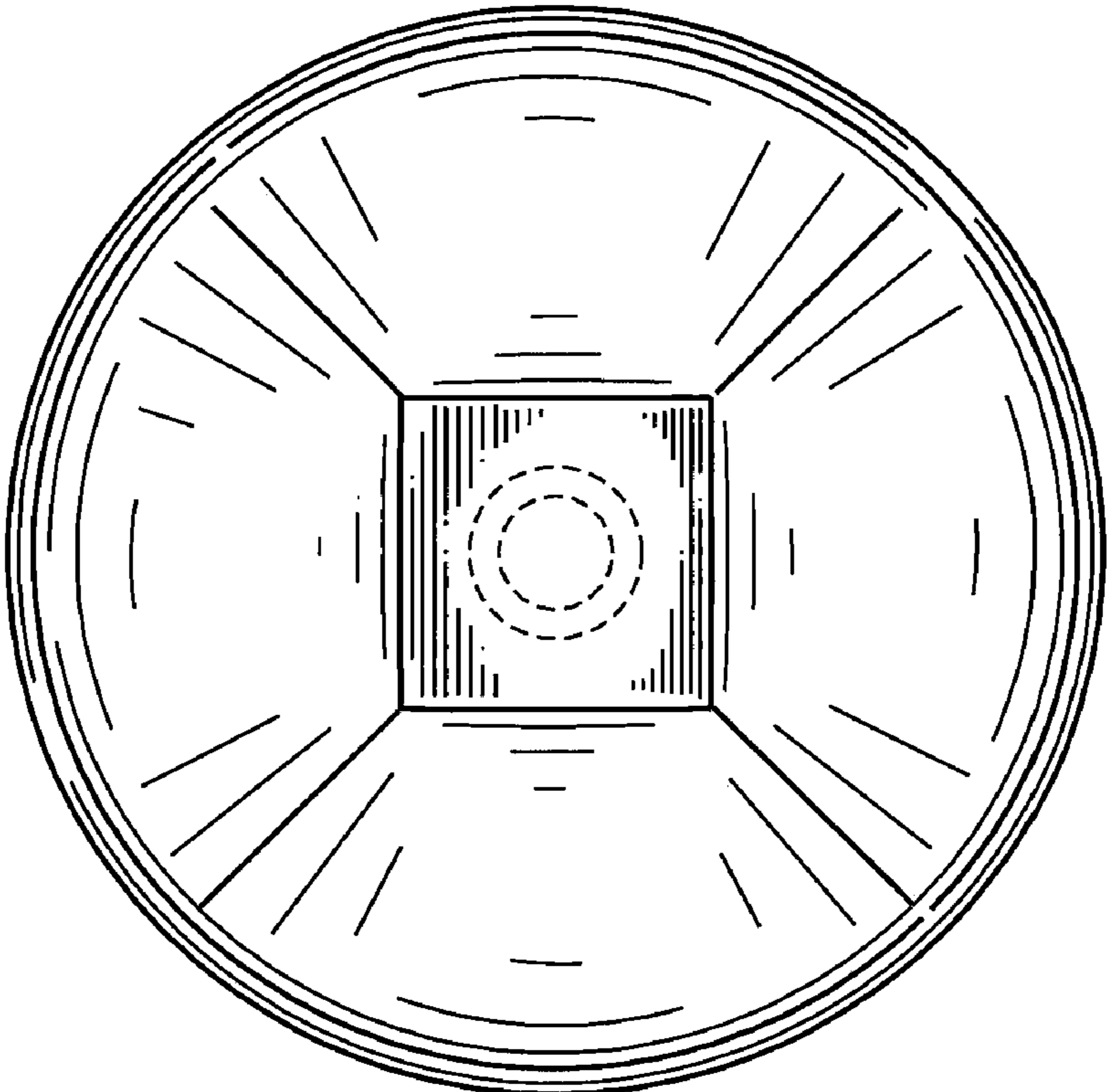
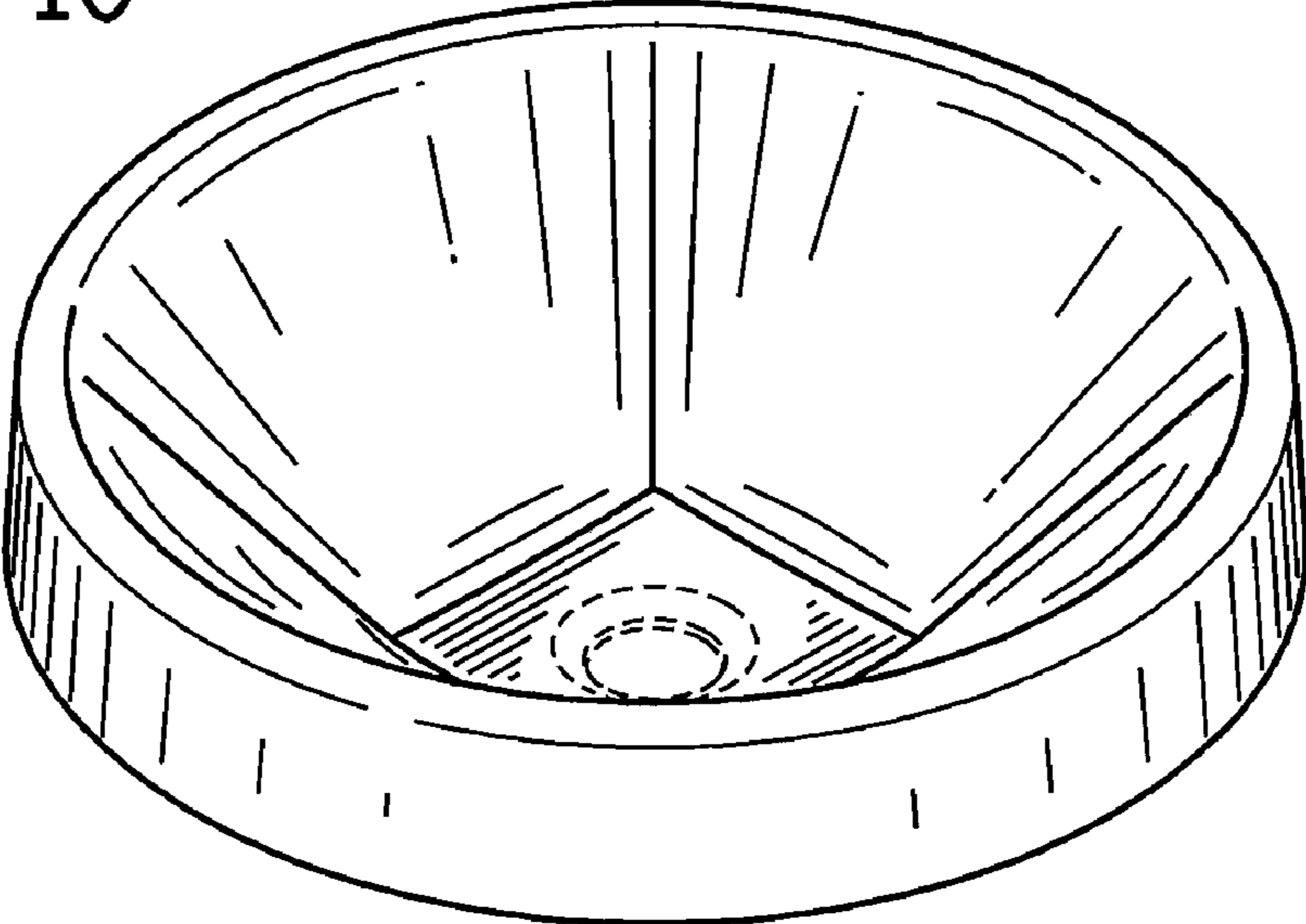


FIG. 11

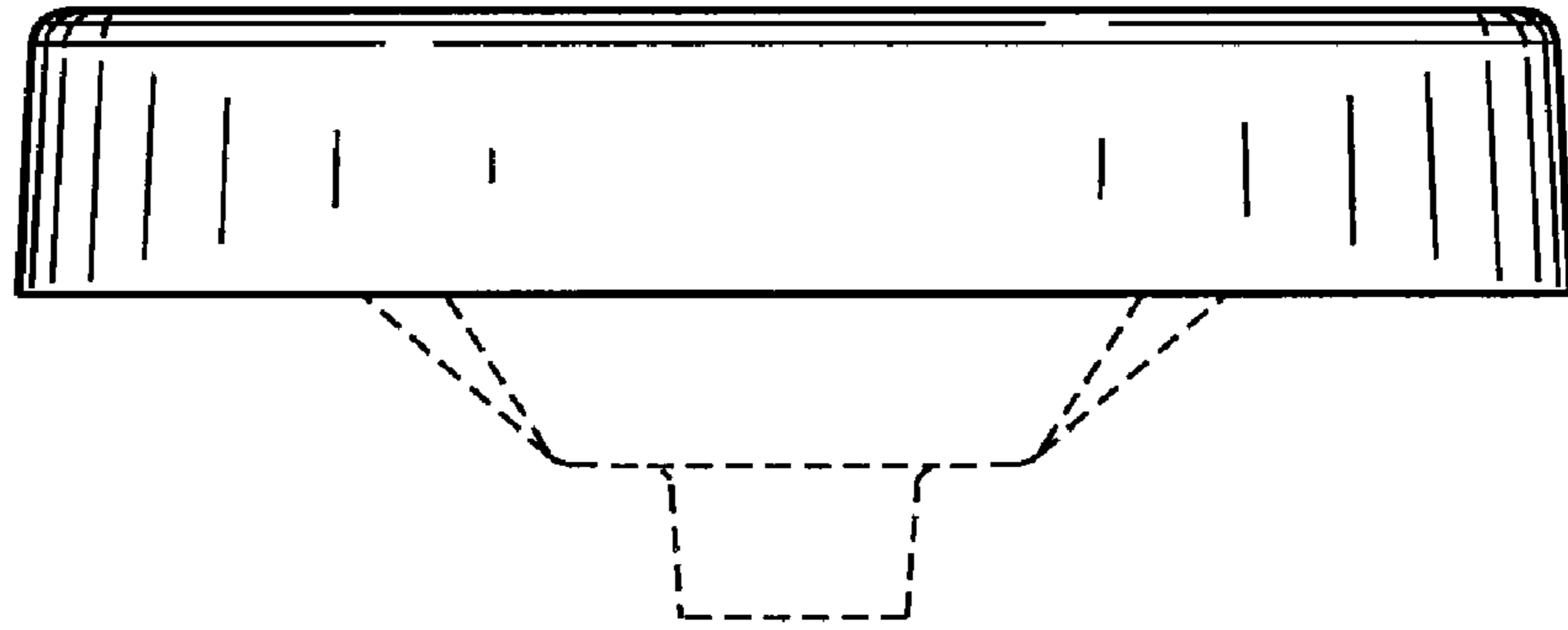


FIG. 12

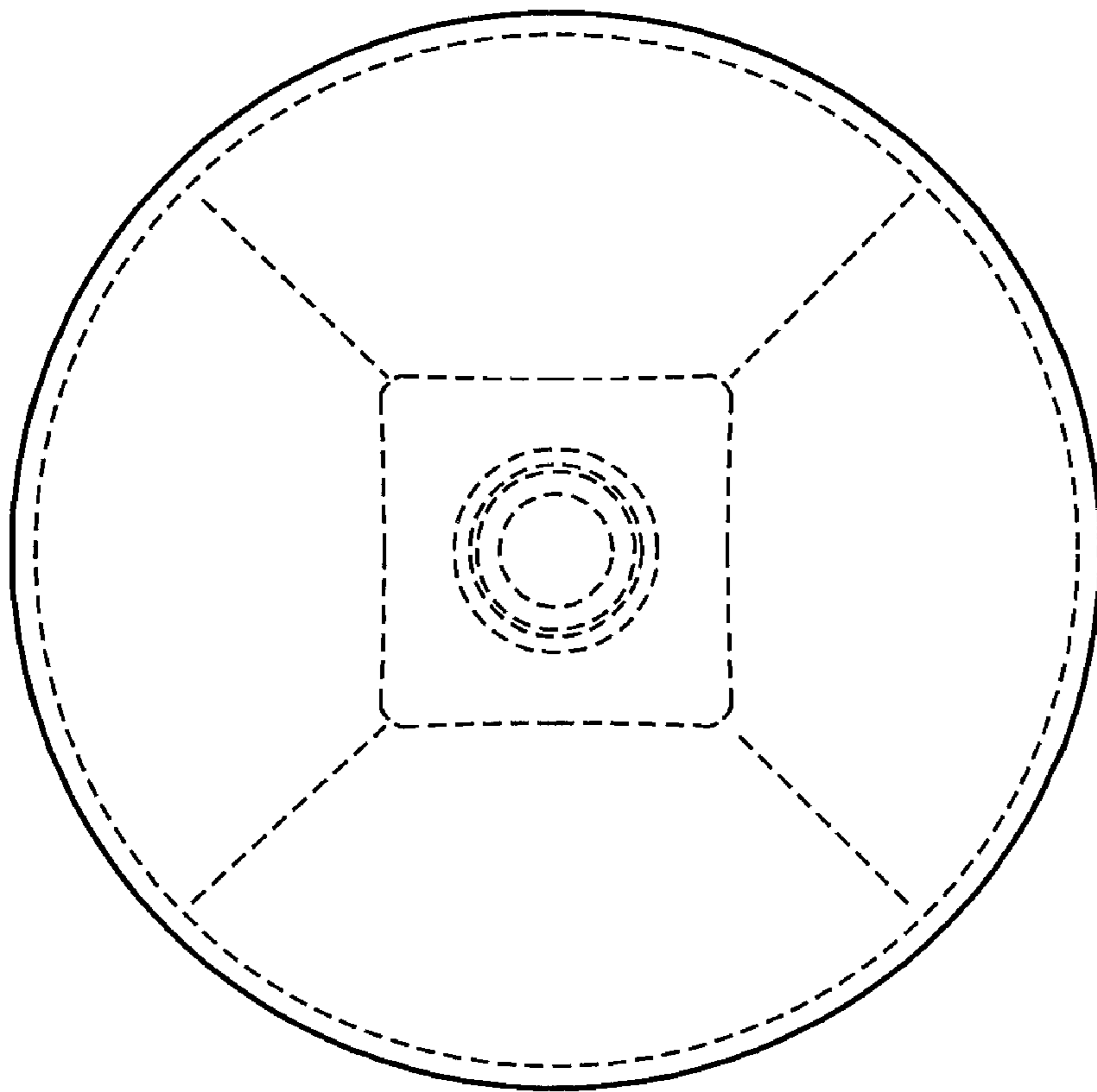


FIG. 13