



US00D598082S

(12) **United States Design Patent**
Booth

(10) **Patent No.:** **US D598,082 S**

(45) **Date of Patent:** **** Aug. 11, 2009**

(54) **SINK**

(75) Inventor: **Shawn J. Booth**, Sheboygan, WI (US)

(73) Assignee: **Kohler Co.**, Kohler, WI (US)

(**) Term: **14 Years**

(21) Appl. No.: **29/324,263**

(22) Filed: **Sep. 9, 2008**

(51) **LOC (9) Cl.** **23-02**

(52) **U.S. Cl.** **D23/284**

(58) **Field of Classification Search** D23/270-274,
D23/284, 285, 291, 293.1, 303, 308, 287;
4/619, 638, 650, 661, 631, 637

See application file for complete search history.

(56) **References Cited**

U.S. PATENT DOCUMENTS

2,841,799	A *	7/1958	Traynor	4/638
D463,538	S	9/2002	Chipperfield		
D508,555	S *	8/2005	Ziemann	D23/293.1
D520,125	S *	5/2006	Paredes et al.	D23/308

OTHER PUBLICATIONS

American Shower and Bath. "All-In-One Utility Sink & Cabinet Kit". Model No. 102050. Lowes.com online catalog. Copyright 2008 by Lowe's.

Zurn. "Fiberglass Utility Sink". Model No. Z1996-36. FaucetDirecto.com online catalog. Copyright 2000-2008 Improvement Direct, Inc.

Kohler Co. "Ledges Undercounter Lavatory". Model No. K-2838. Kohler.com online catalog. Copyright 2008 Kohler Co.

Kohler Co. "Poise Single-Basin Undercounter Kitchen Sink". Model No. K-3158. Kohler.com online catalog. Copyright 2008 Kohler Co.

* cited by examiner

Primary Examiner—Robert A Delehanty

(74) *Attorney, Agent, or Firm*—Quarles & Brady LLP

(57) **CLAIM**

The ornamental design for a sink, as shown and described.

DESCRIPTION

In a preferred embodiment, the nature of this product is as a plumbing fixture in the form of a sink which is primarily useful for washing various items and the body parts of humans.

FIG. 1 is a left, top, front perspective view of a sink embodying my new design;

FIG. 2 is a top plan view thereof;

FIG. 3 is a front elevational view thereof, the rear elevational view thereof being a mirror image of the front shown;

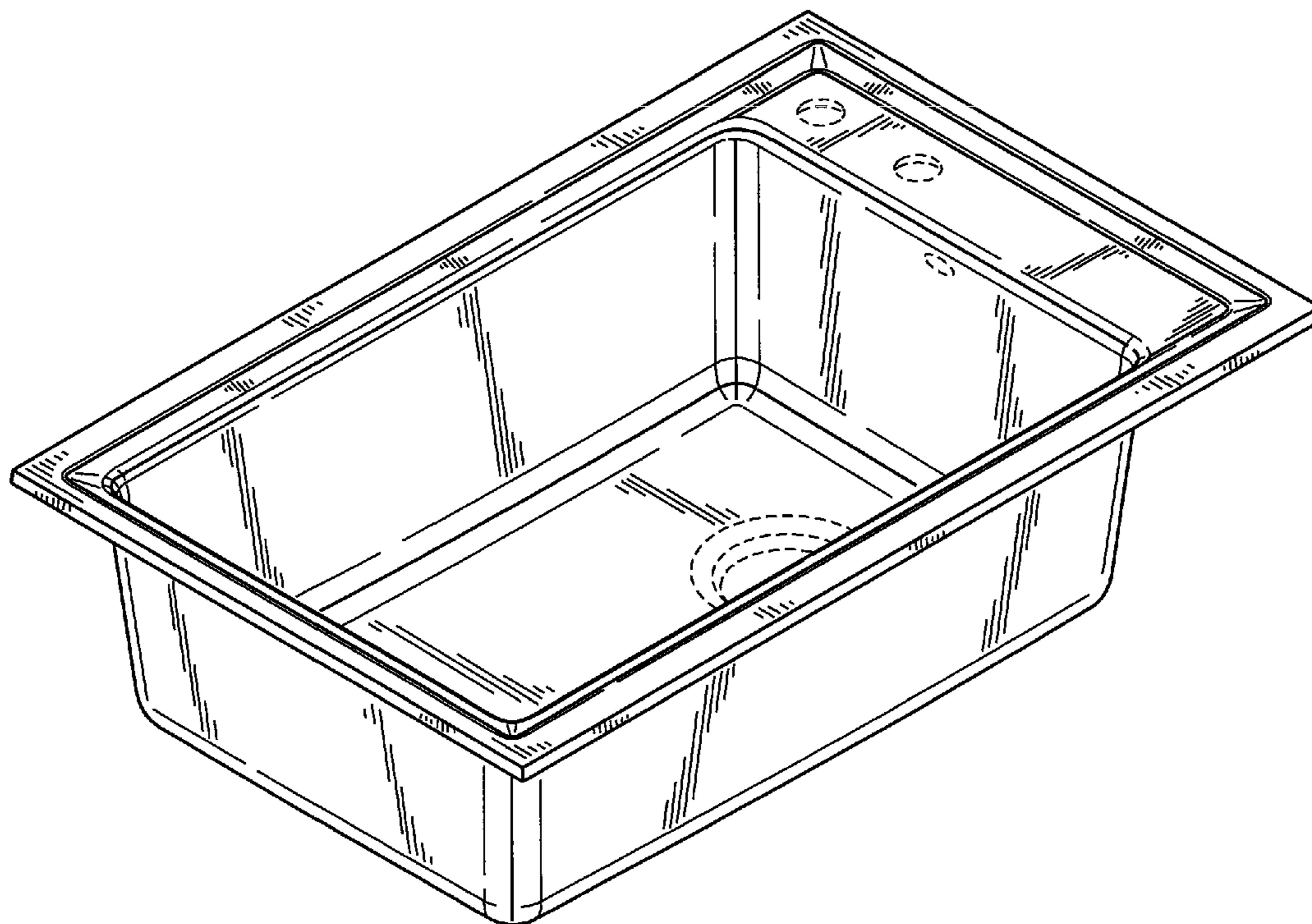
FIG. 4 is a right side elevational view thereof;

FIG. 5 is a left side elevational view thereof; and,

FIG. 6 is a bottom plan view thereof.

The broken line representations in the figures are for the purpose of illustration only, and form no part of the claimed design.

1 Claim, 4 Drawing Sheets



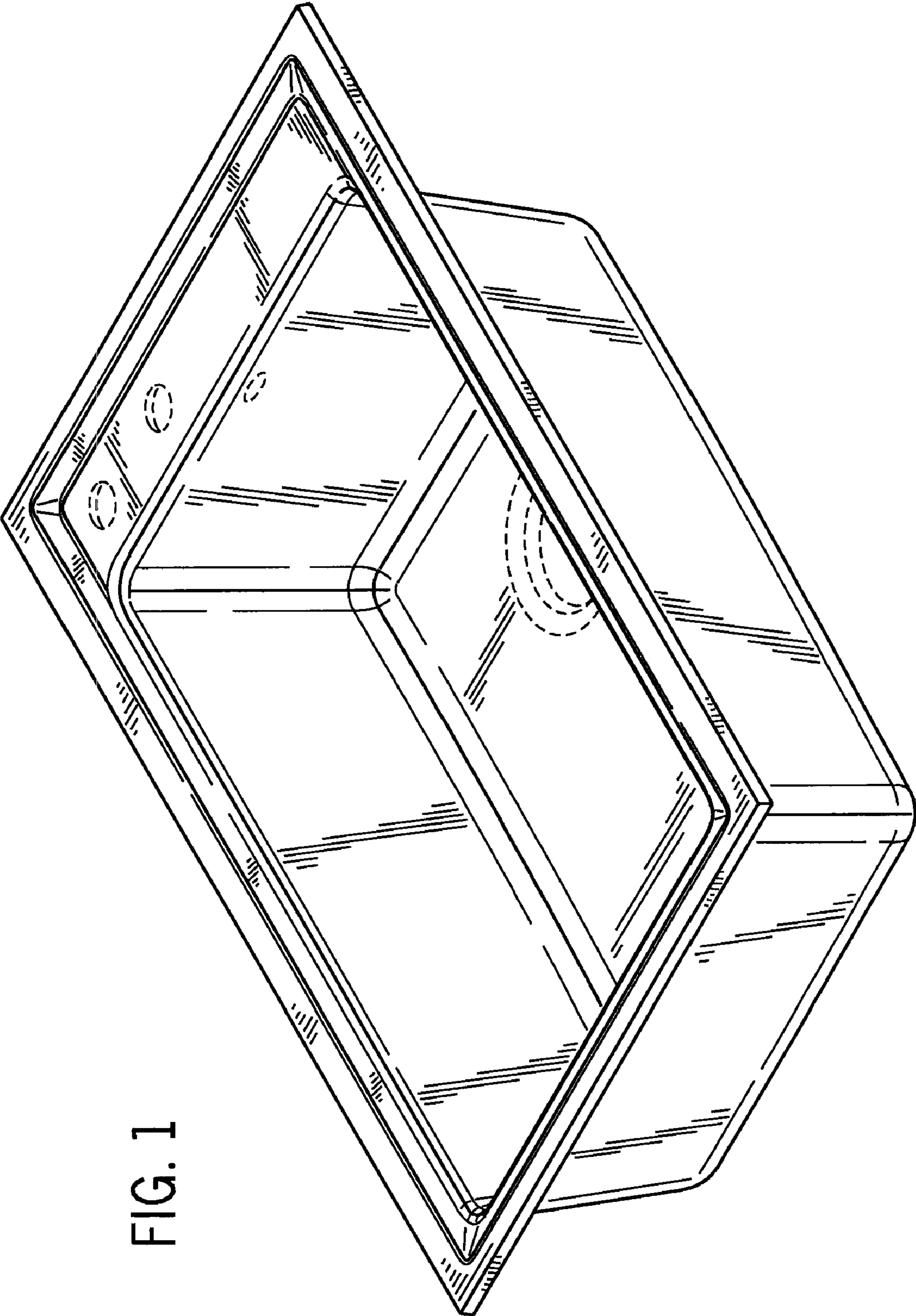


FIG. 1

FIG. 2

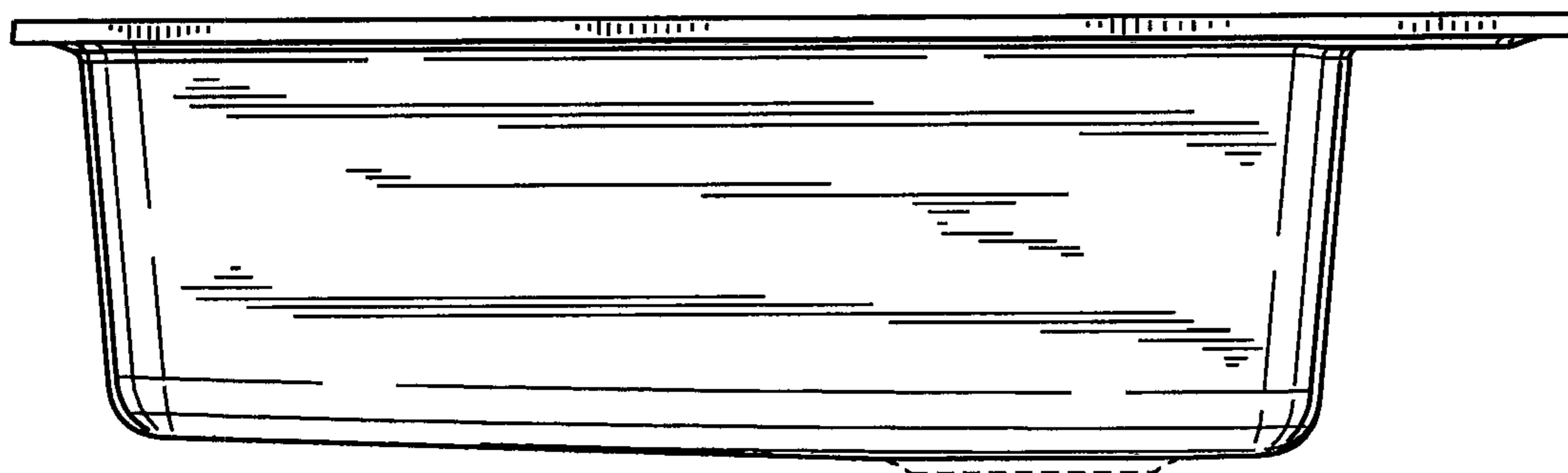
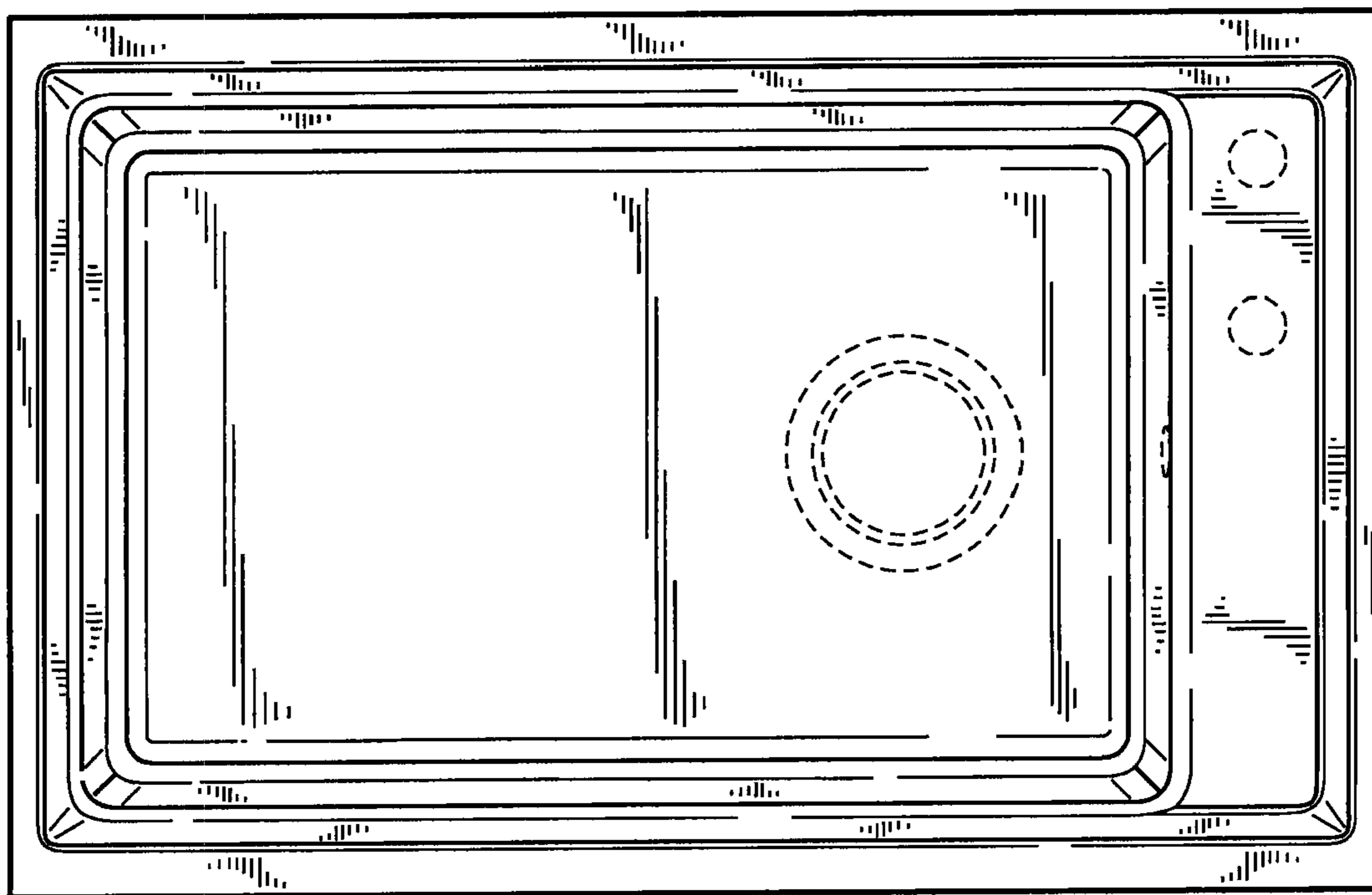


FIG. 3

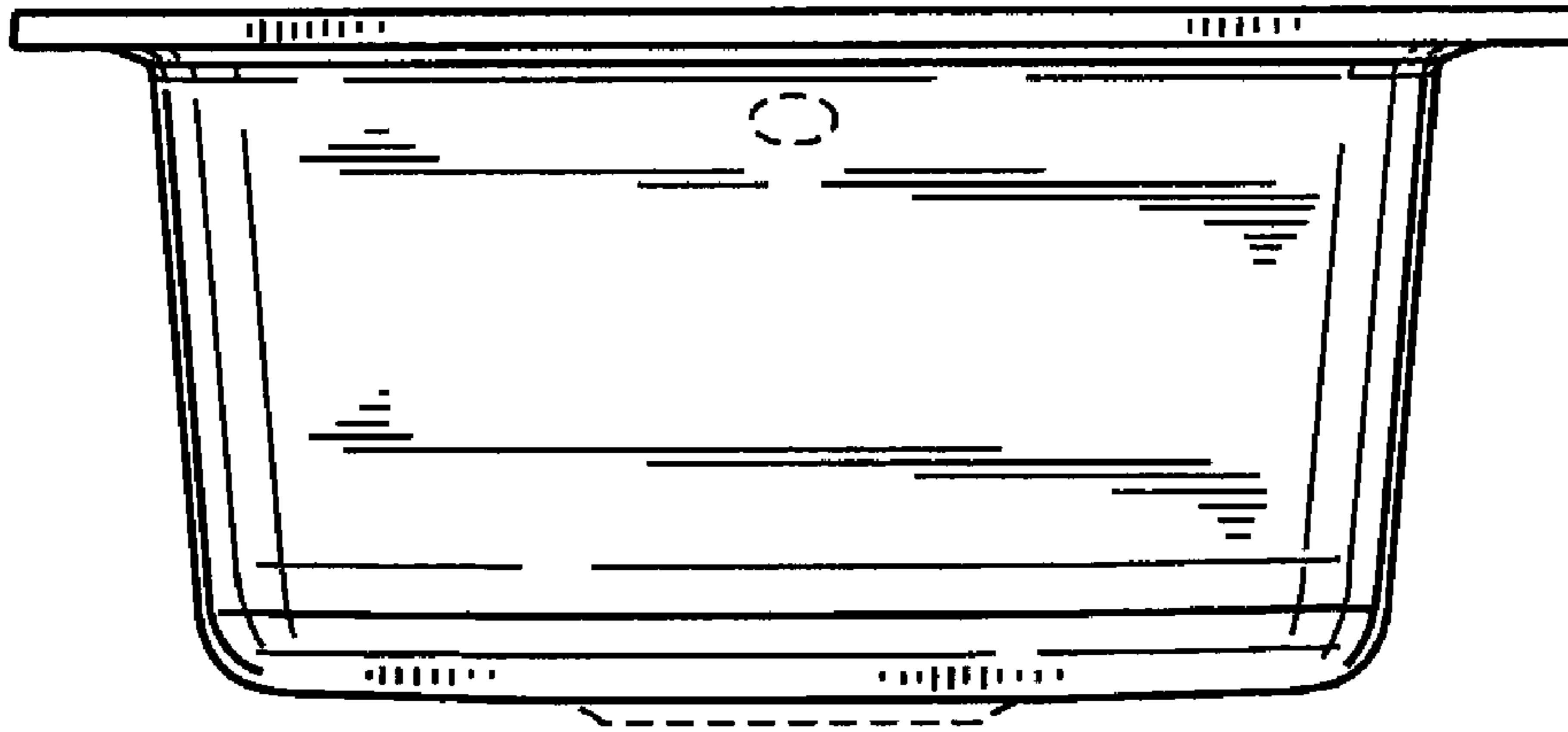


FIG. 4

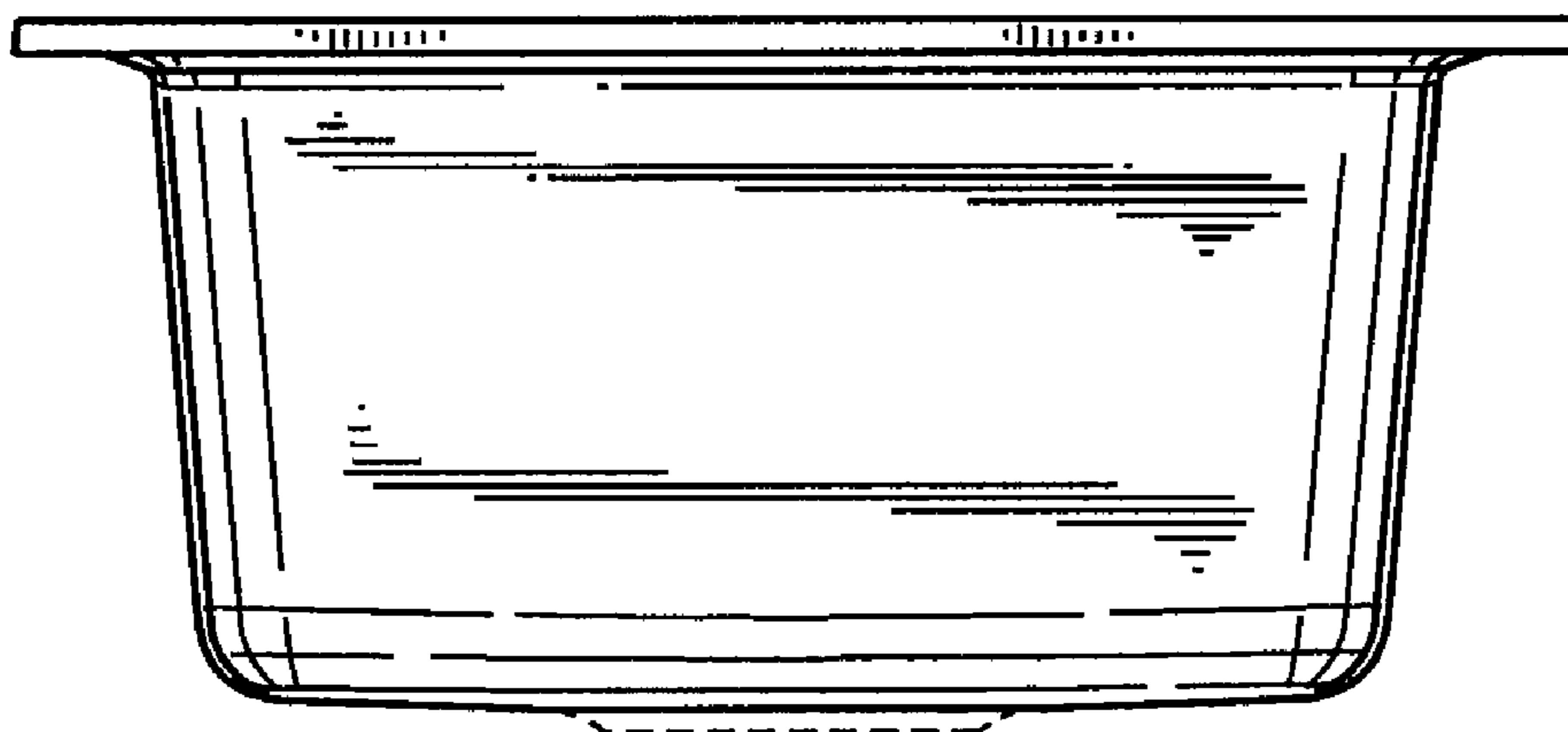


FIG. 5

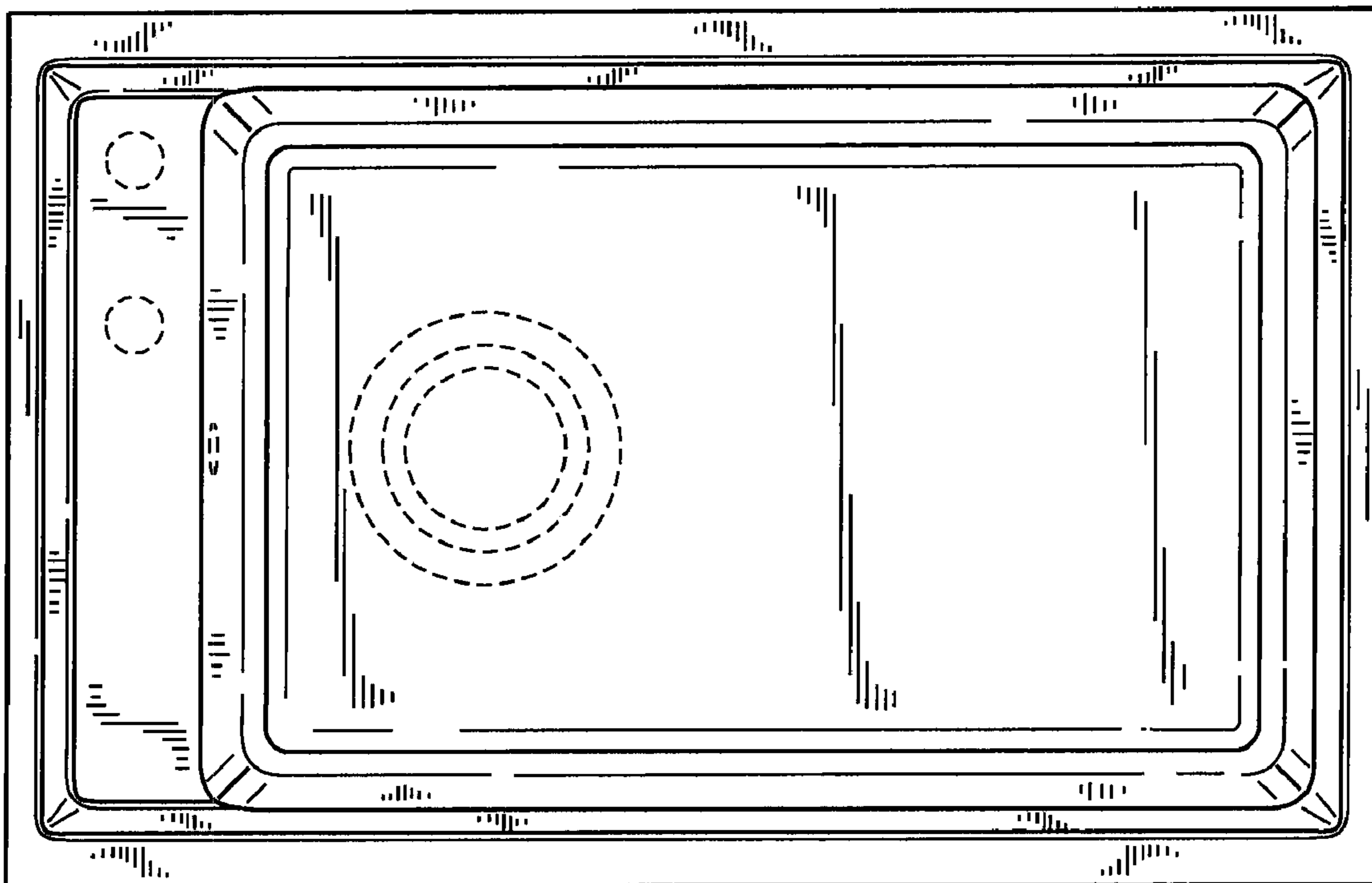


FIG. 6