



US00D598081S

(12) **United States Design Patent**
Soulier

(10) **Patent No.:** **US D598,081 S**
(45) **Date of Patent:** **** Aug. 11, 2009**

(54) **LAVATORY**

(75) Inventor: **Jean-Hugues Soulier**, Paris (FR)

(73) Assignee: **Kohler France SAS**, Paris (FR)

(**) Term: **14 Years**

(21) Appl. No.: **29/320,733**

(22) Filed: **Jul. 2, 2008**

(30) **Foreign Application Priority Data**

Jan. 4, 2008 (EM) 000853320-0003

Jan. 4, 2008 (EM) 000853320-0004

Jan. 4, 2008 (EM) 000853320-0005

(51) **LOC (9) Cl.** **23-02**

(52) **U.S. Cl.** **D23/284**

(58) **Field of Classification Search** D23/270–274,
D23/284, 285, 291, 293.1, 303, 308, 287,
D23/201; 4/619, 638, 650, 661, 631, 637;
D7/304

See application file for complete search history.

(56) **References Cited**

U.S. PATENT DOCUMENTS

D400,980 S 11/1998 Schroer

D538,905 S * 3/2007 Wano D23/293.1

OTHER PUBLICATIONS

RonBow. "Ceramic Lavatory Sink". Model No. CB3013. FaucetDirect.com online catalog. Copyright 2000-2007 Improvement Direct, Inc.

Nameek's. "Nameek's Total Bath Solutions". Model No.: Square Teorema Thin Line 8031/R". HomePortfolio.com online catalog. Copyright 1997-2007 HomePortfolio Inc.

Atelier Design Group. "Portofino Washbasin #528661". HomePortfolio.com online catalog. Copyright 1997-2007 HomePortfolio Inc.

Jacob Delafon. "Vasques". JacobDelafon.com online catalog.

* cited by examiner

Primary Examiner—Robert A Delehanty

(74) *Attorney, Agent, or Firm*—Quarles & Brady LLP

(57) **CLAIM**

The ornamental design for a lavatory, as shown and described.

DESCRIPTION

In a preferred embodiment, the nature of this product is a lavatory for washing various items and human body parts.

FIG. 1 is a top, left, front perspective view of a lavatory embodying my new design;

FIG. 2 is a top plan view thereof;

FIG. 3 is a front elevational view thereof;

FIG. 4 is a left side elevational view thereof, the right side elevational view thereof being a mirror image of the left side shown;

FIG. 5 is a bottom plan view thereof;

FIG. 6 is a rear elevational view thereof;

FIG. 7 is a sectional view taken along line 7—7 of FIG. 2;

FIG. 8 is a top, left, front perspective view of a lavatory according to another embodiment of my new design, the left and right side elevational views thereof being as shown and described with respect to FIG. 4;

FIG. 9 is a top plan view thereof;

FIG. 10 is a front elevational view thereof;

FIG. 11 is a bottom plan view thereof;

FIG. 12 is a rear elevational view thereof;

FIG. 13 is a sectional view taken along line 13—13 of FIG. 9;

FIG. 14 is a top, left, front perspective view of a lavatory according to another embodiment of my new design, the left and right side elevational views thereof being as shown and described with respect to FIG. 4;

FIG. 15 is a top plan view thereof;

FIG. 16 is a front elevational view thereof;

FIG. 17 is a bottom plan view thereof;

FIG. 18 is a rear elevational view thereof; and,

FIG. 19 is a sectional view taken along line 19—19 of FIG. 15.

The broken line representations in the figures are for the purpose of illustration only, and form no part of the claimed design.

1 Claim, 9 Drawing Sheets

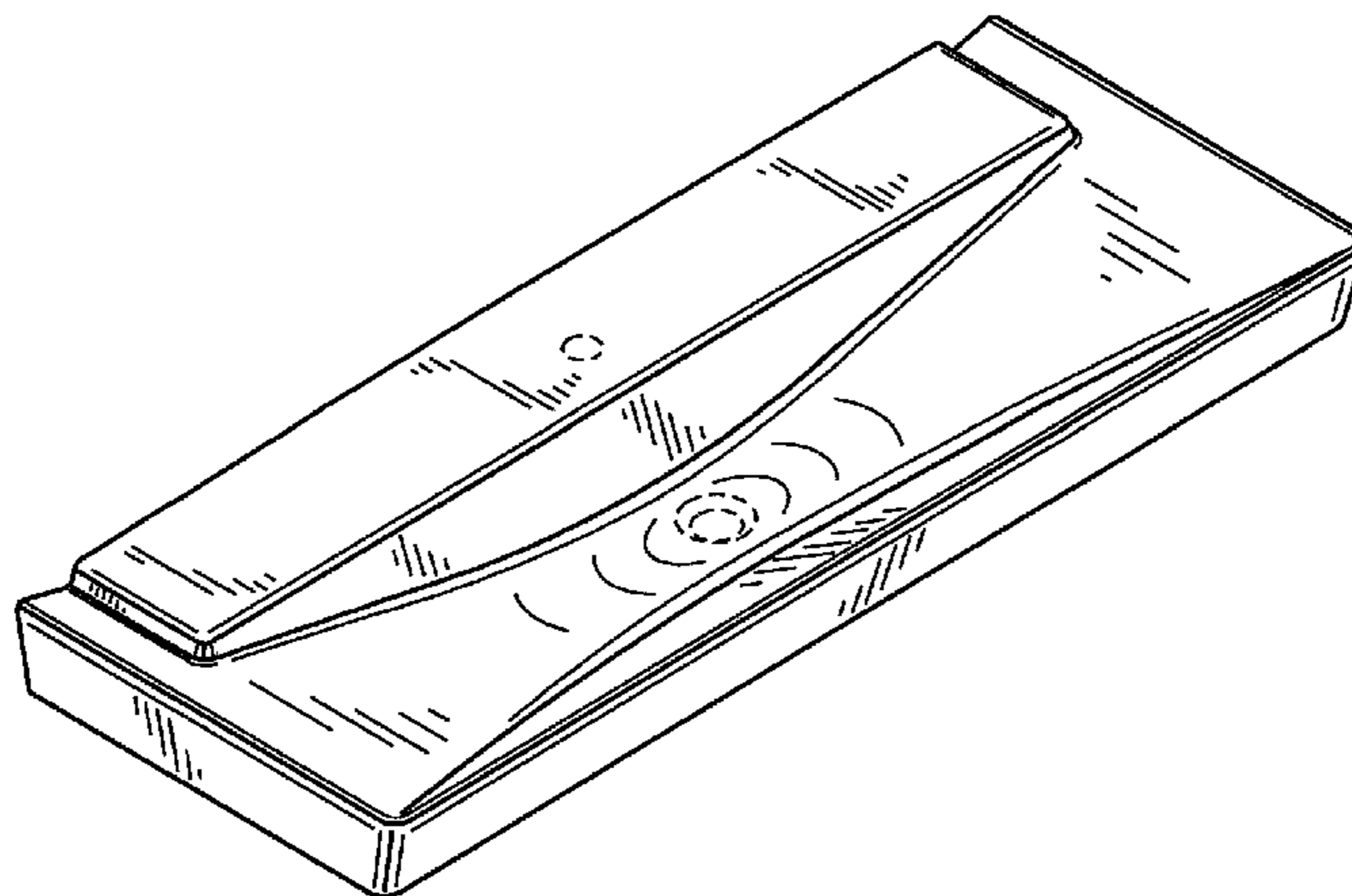


FIG. 1

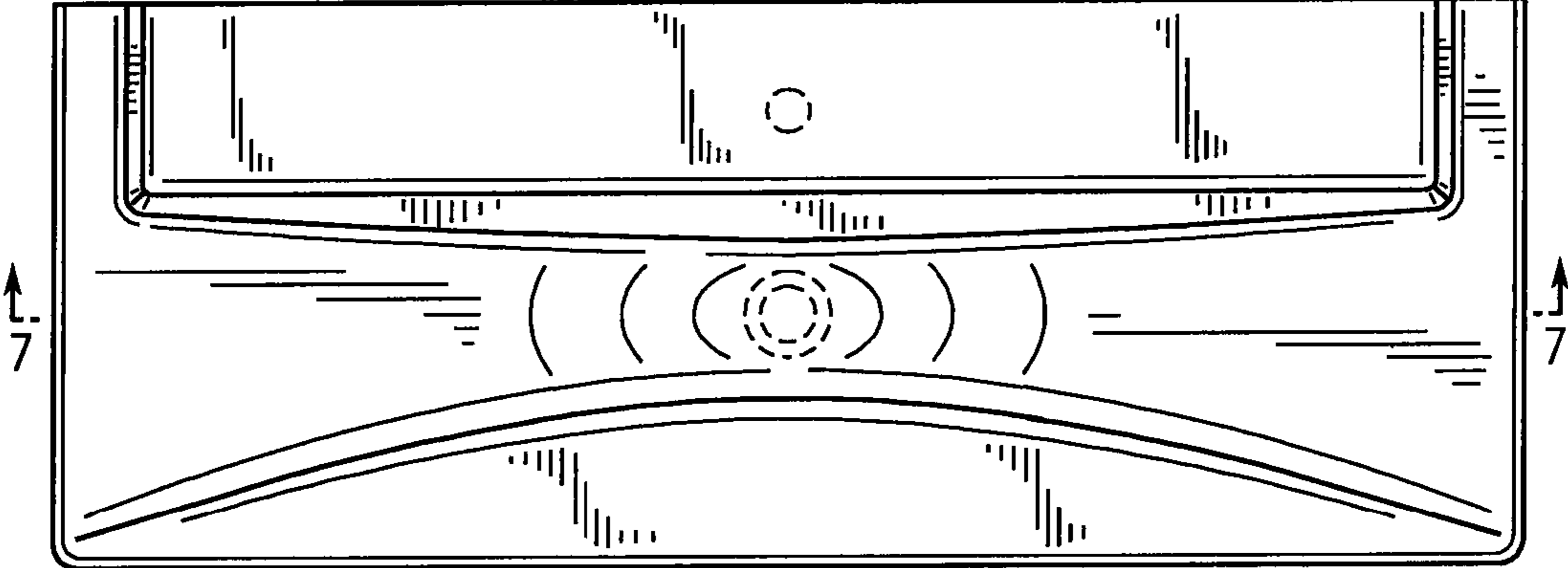
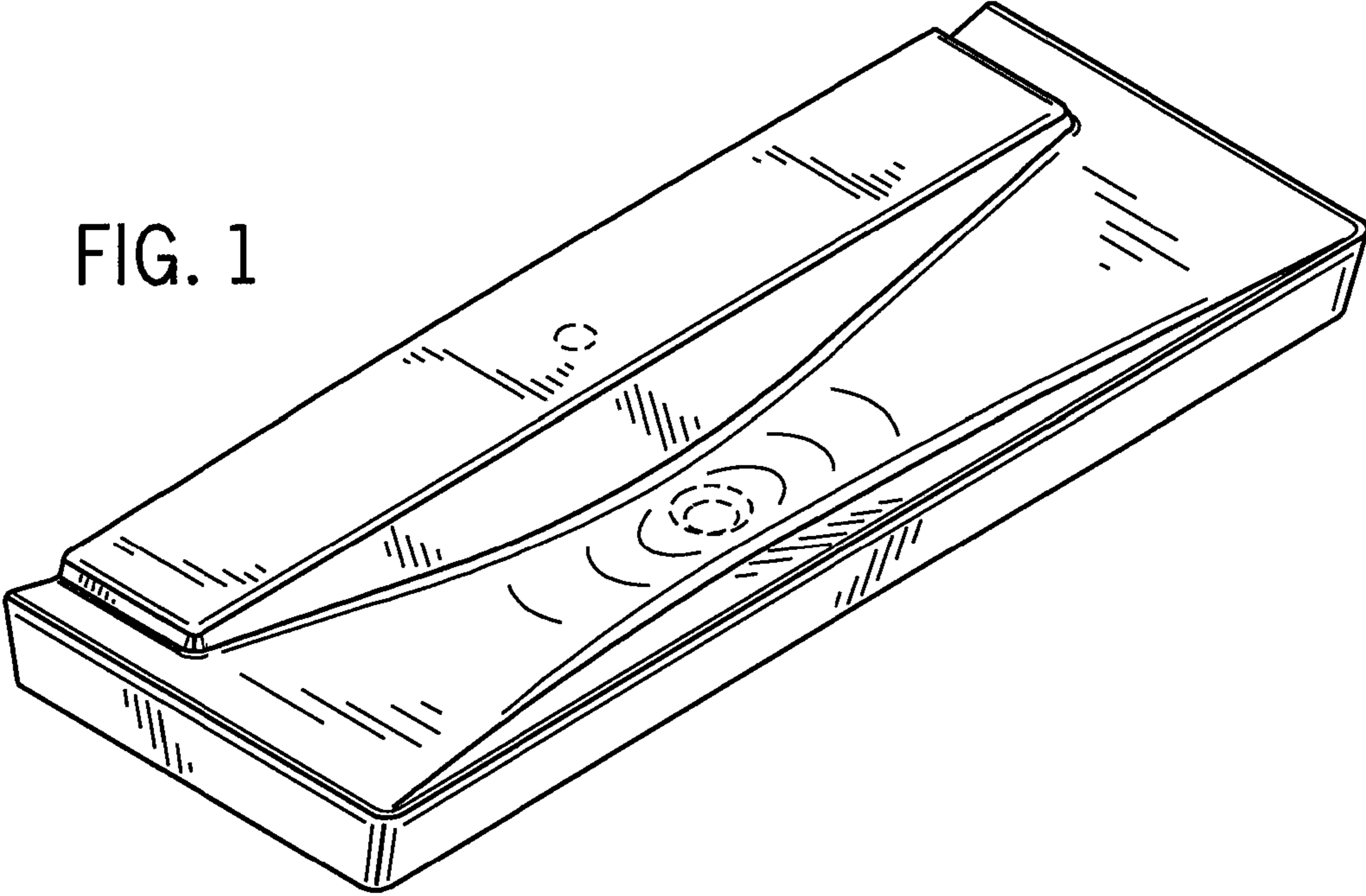


FIG. 2

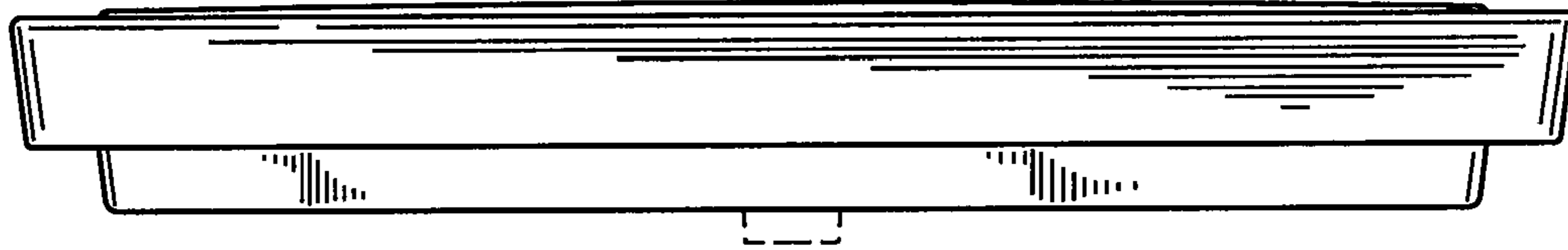


FIG. 3

FIG. 4

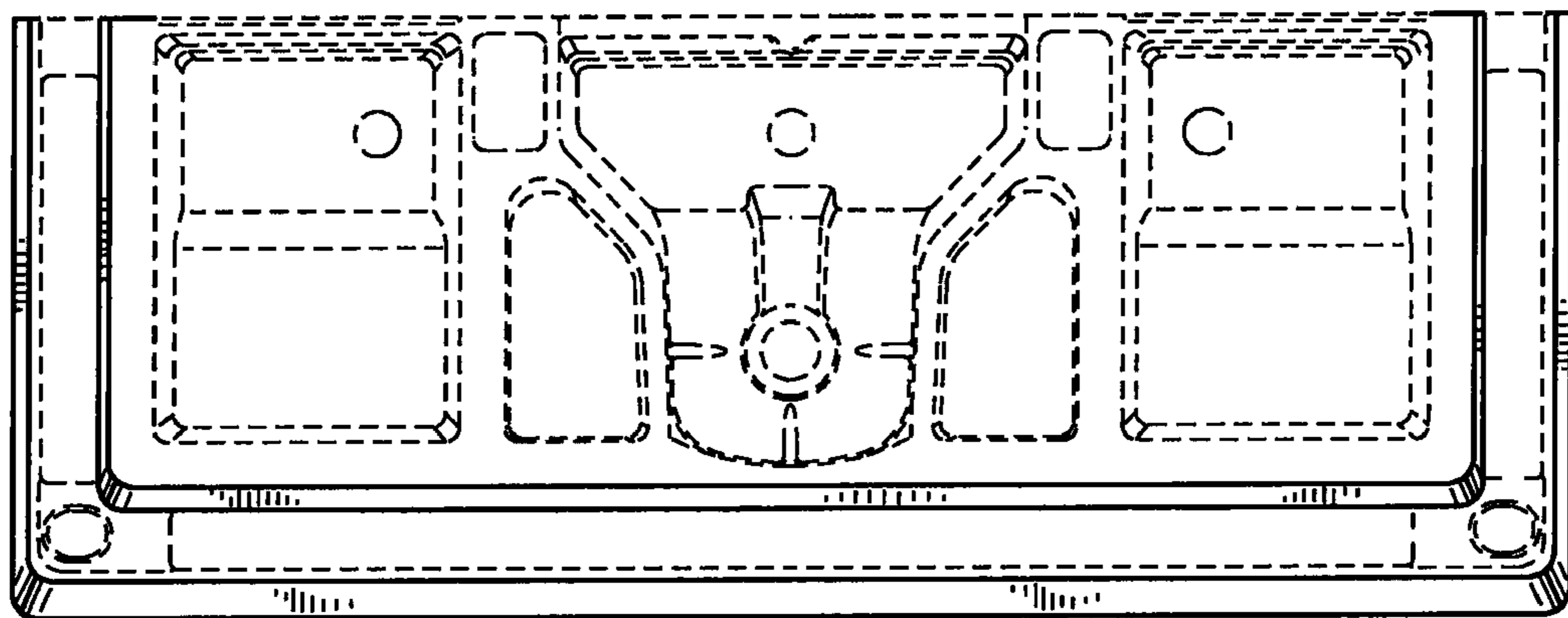
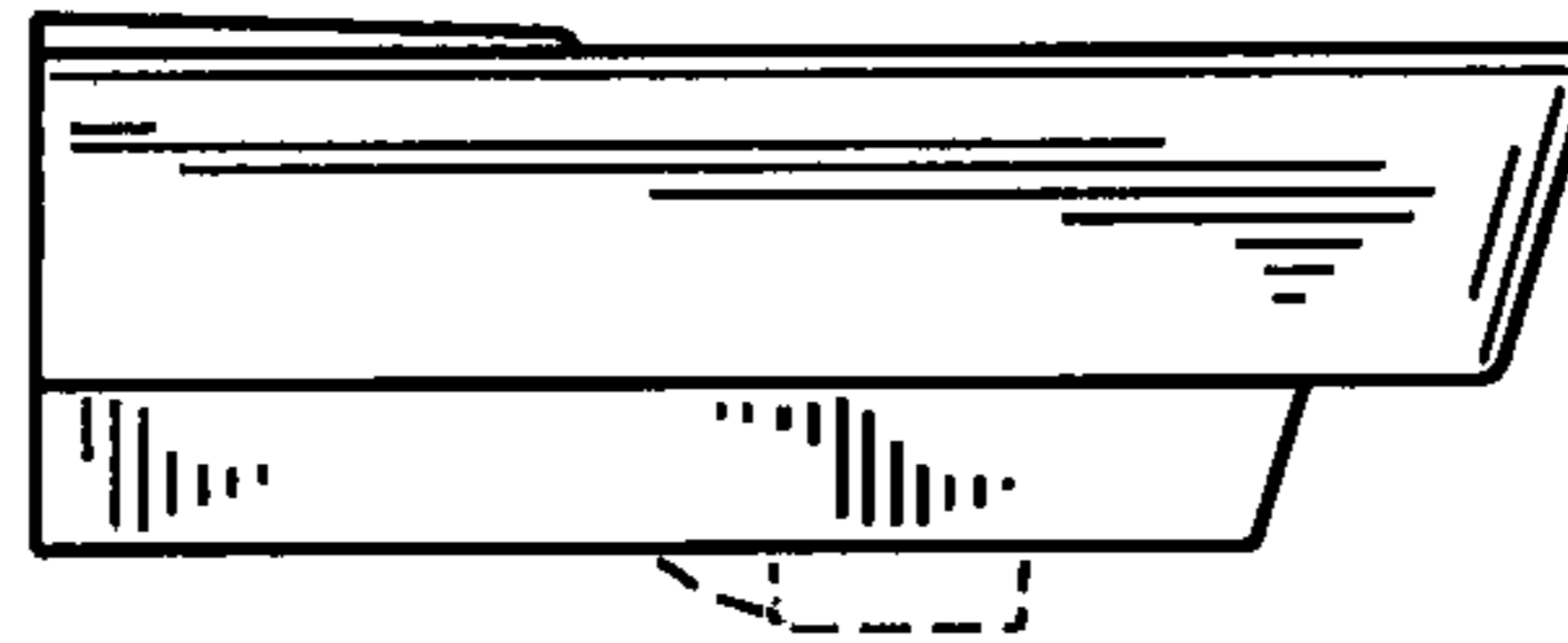


FIG. 5

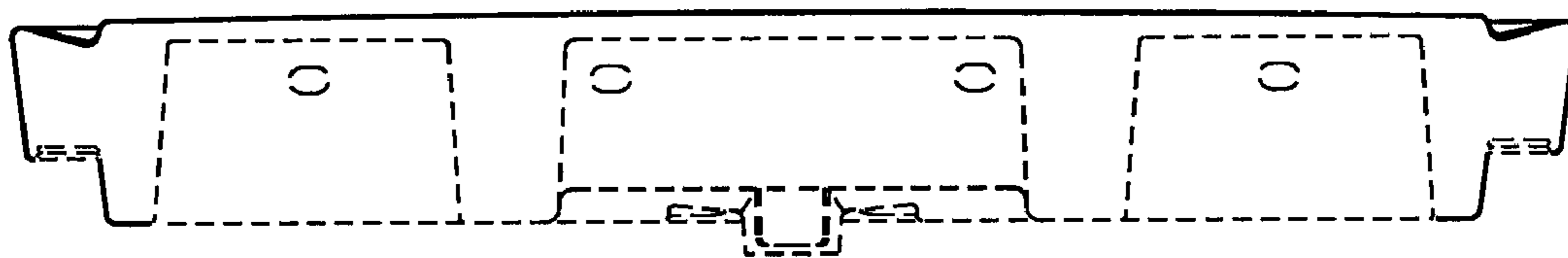


FIG. 6

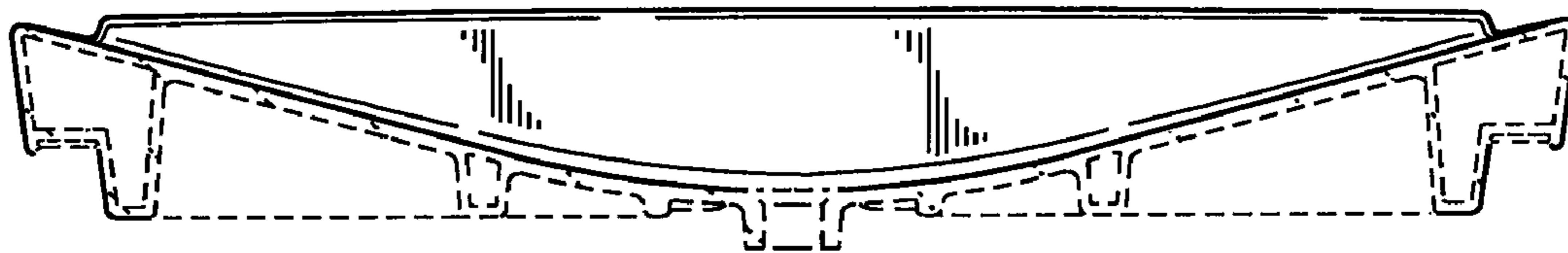


FIG. 7

FIG. 8

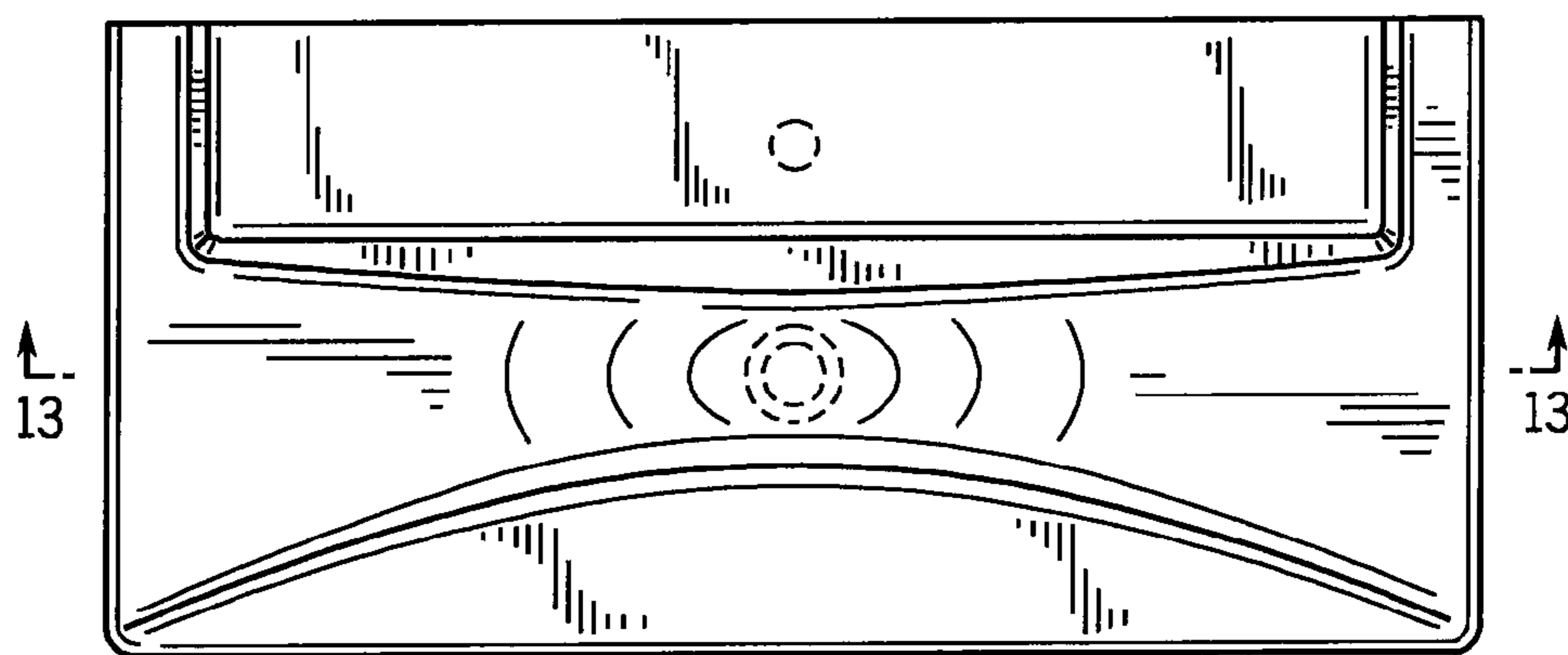
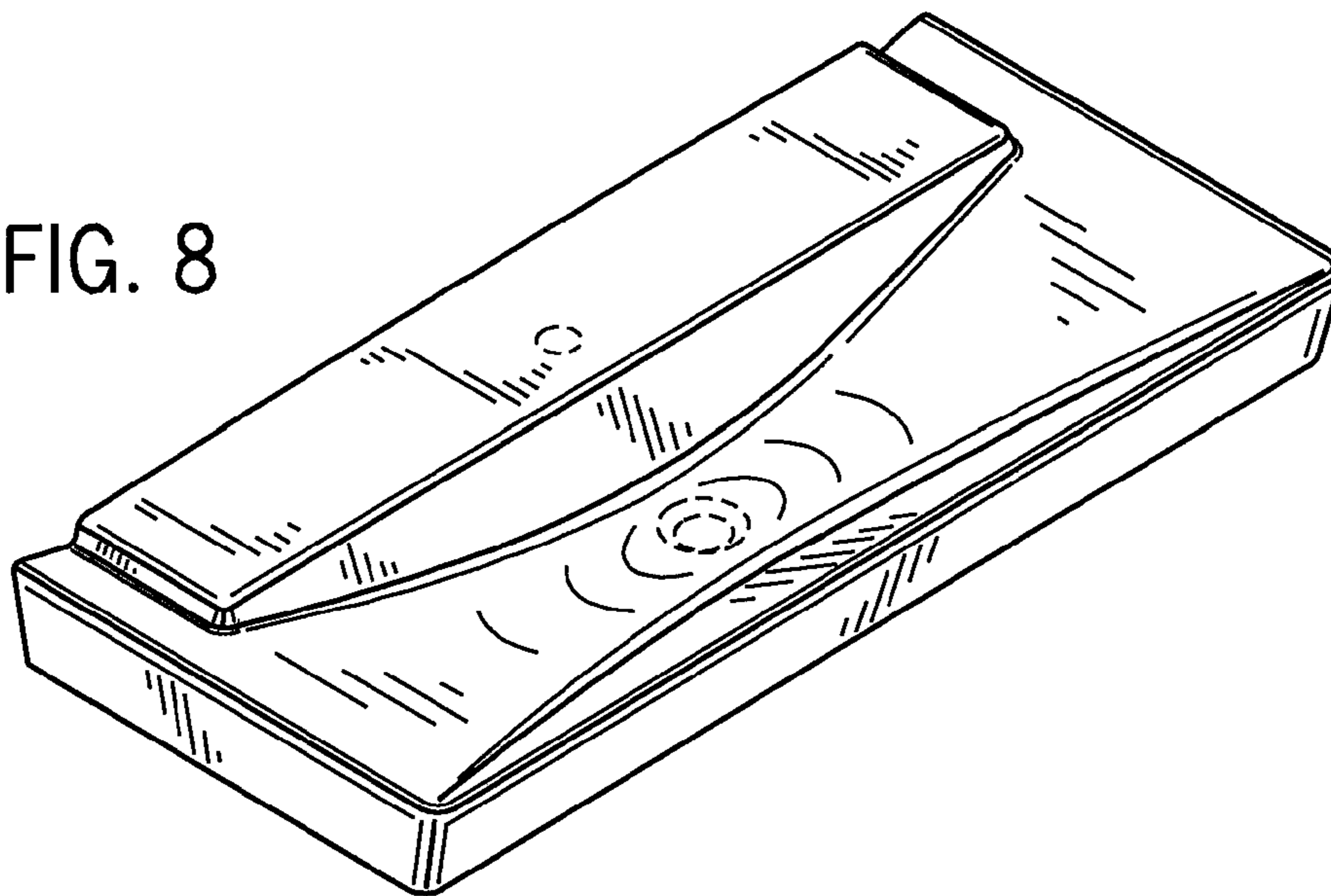


FIG. 9

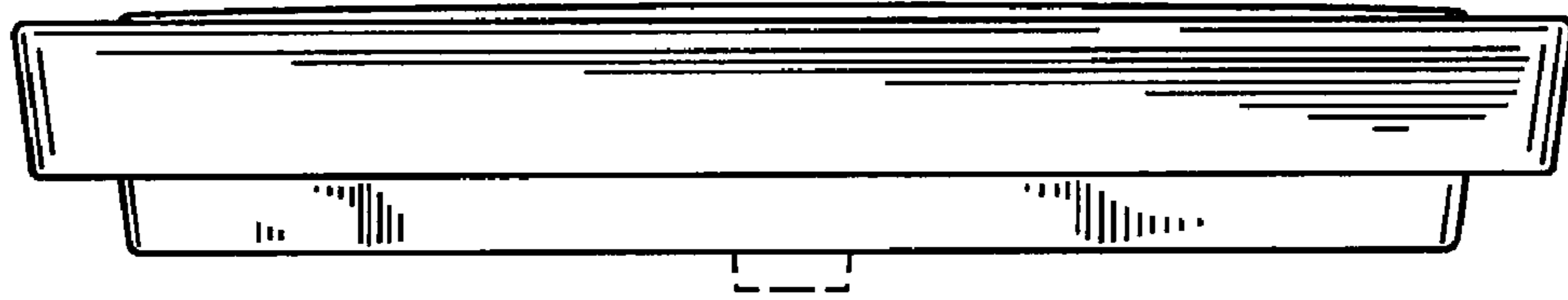


FIG. 10

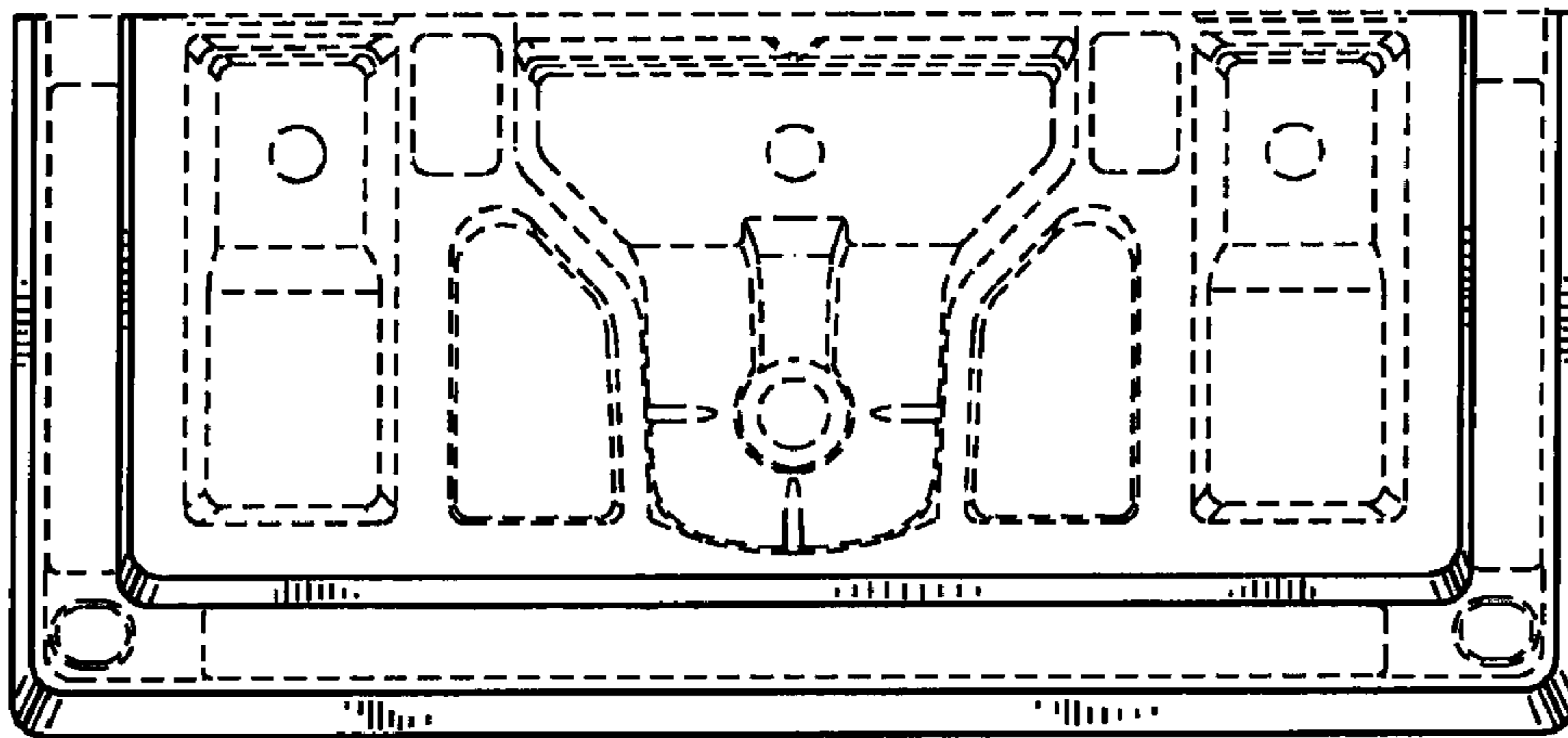


FIG. 11

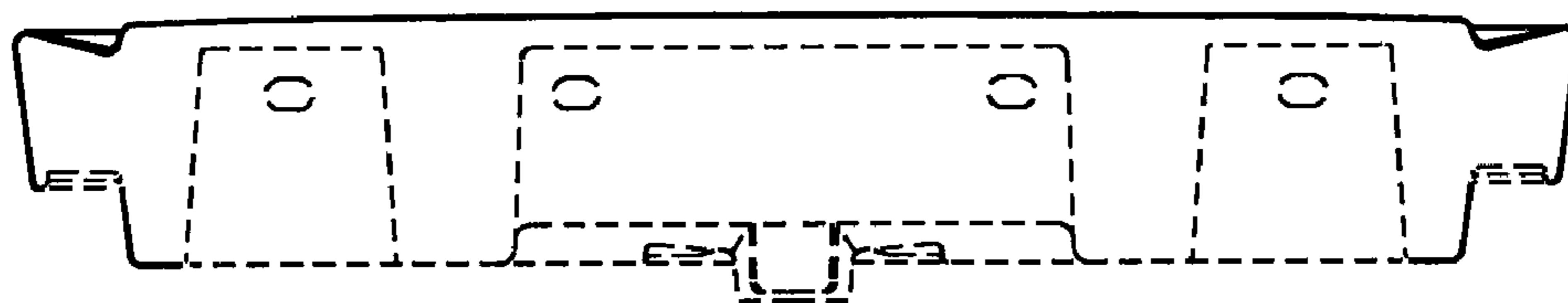


FIG. 12

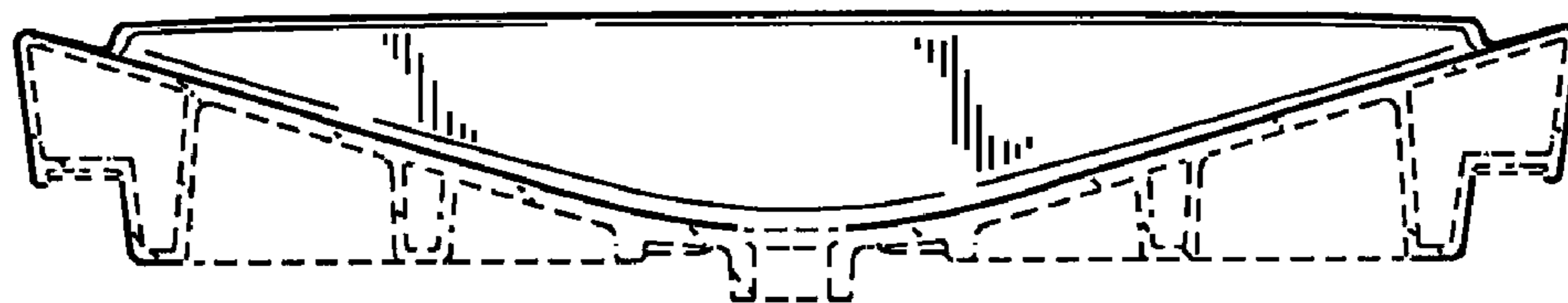


FIG. 13

FIG. 14

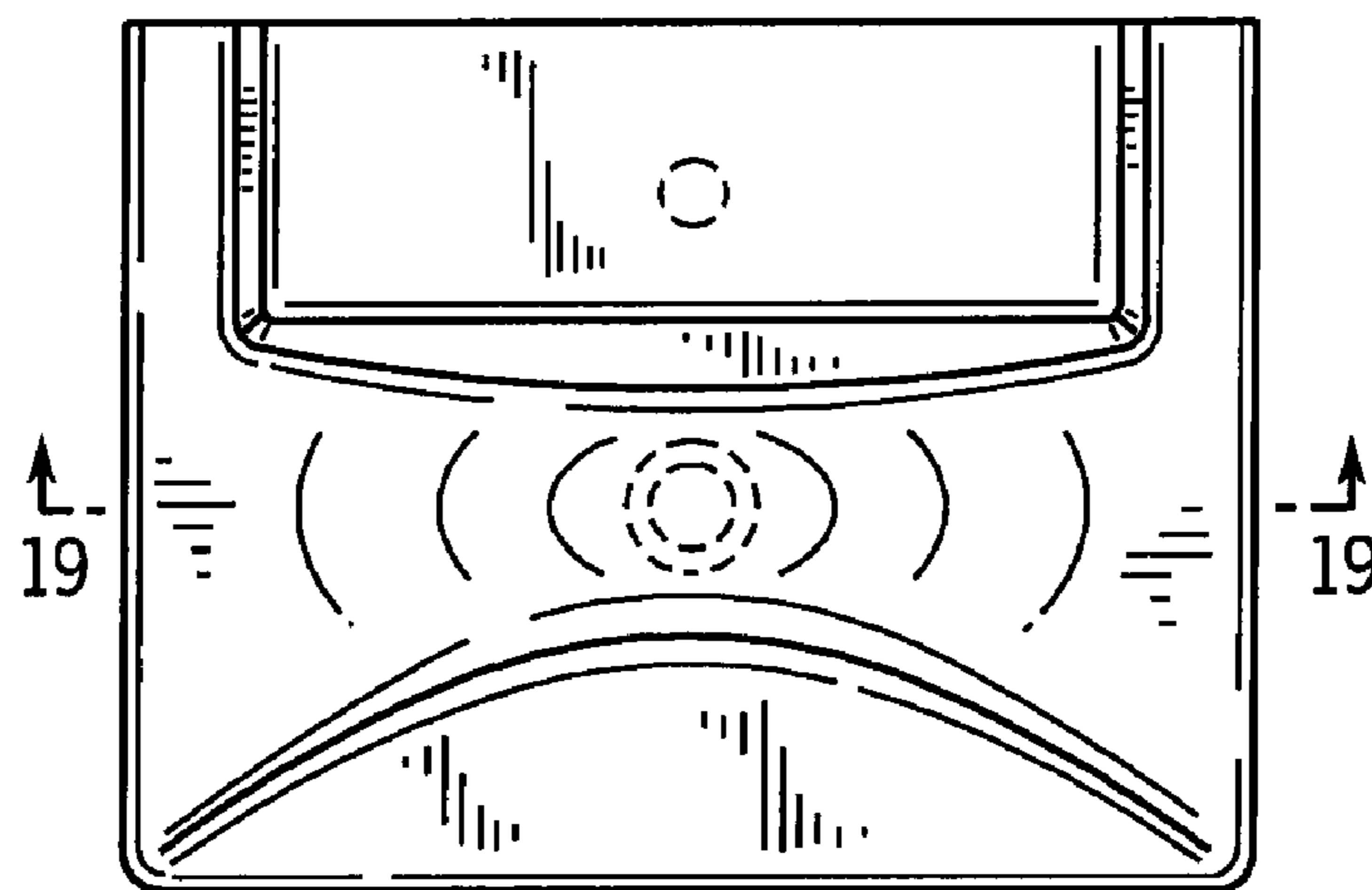
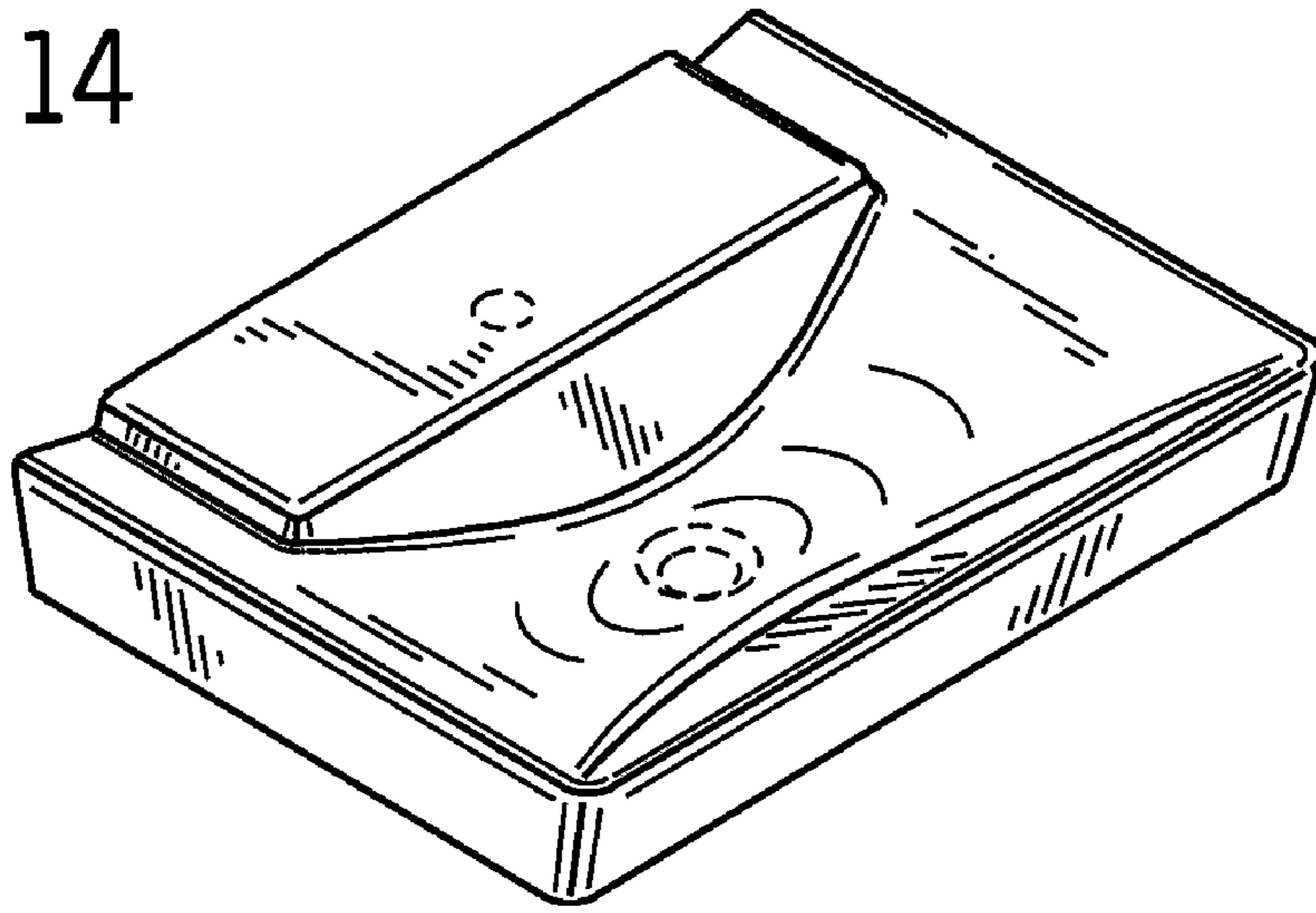


FIG. 15

FIG. 16

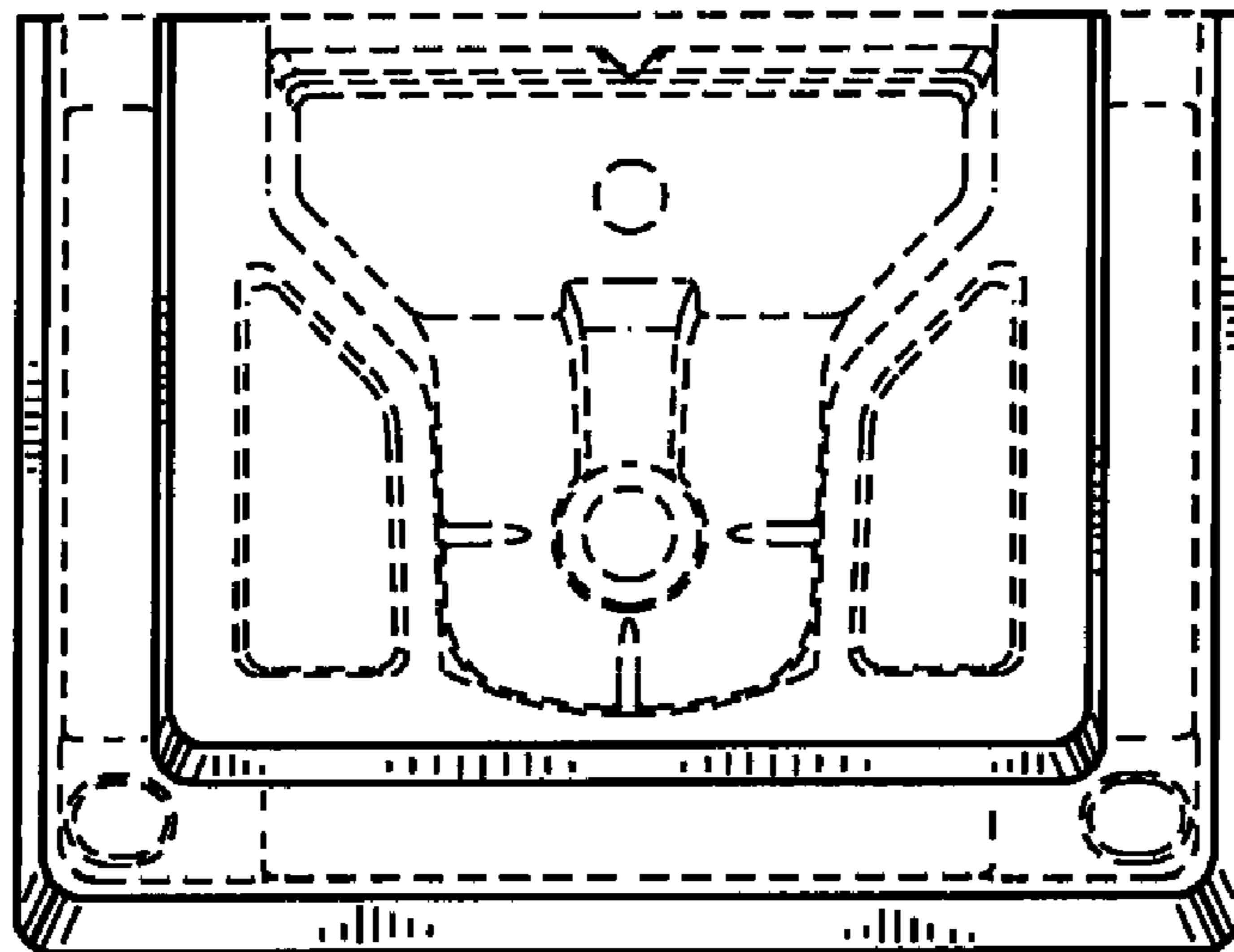
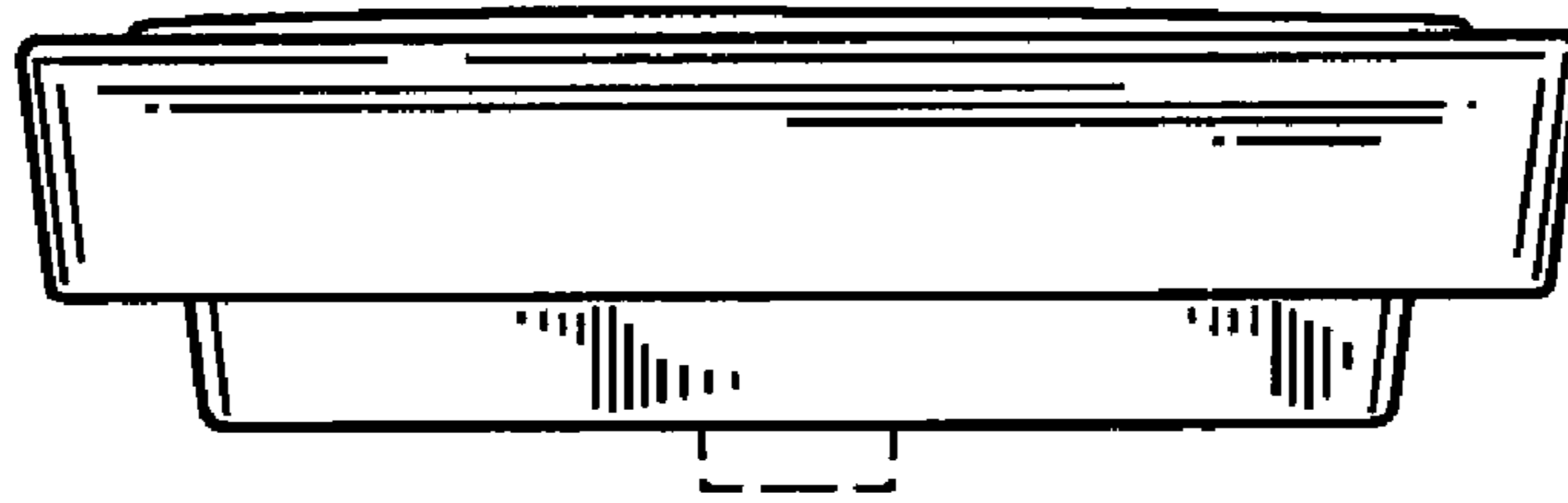


FIG. 17

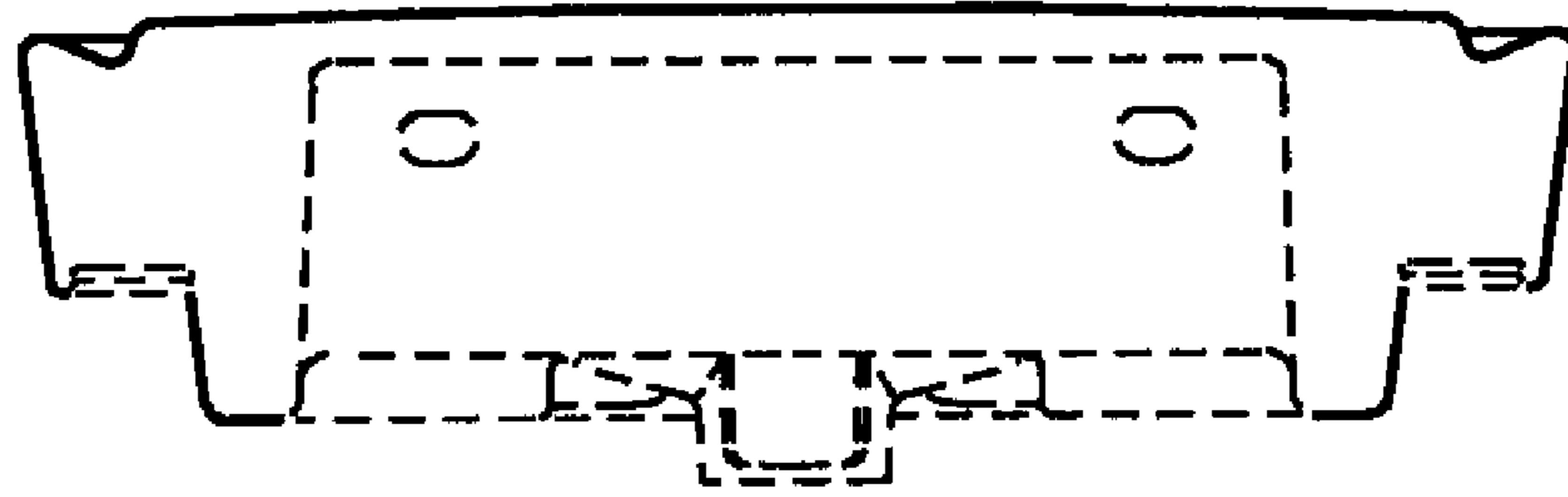


FIG. 18

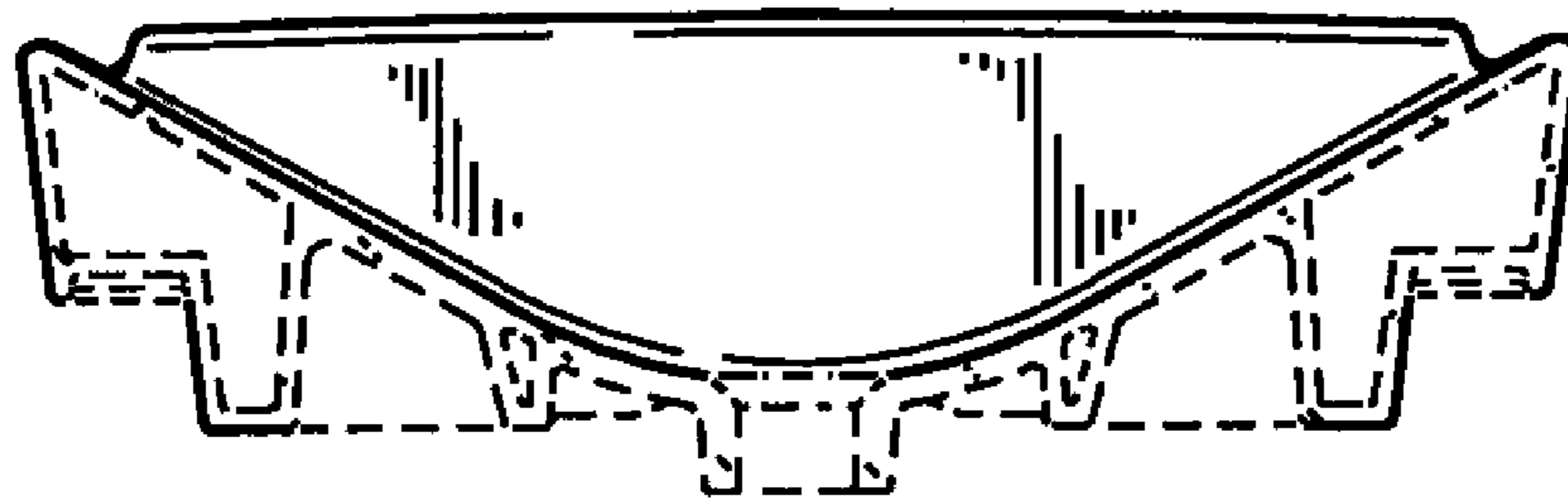


FIG. 19