



US00D598080S

(12) **United States Design Patent**  
**Kergoet**

(10) **Patent No.:** **US D598,080 S**

(45) **Date of Patent:** **\*\* Aug. 11, 2009**

(54) **LAVATORY**

(75) Inventor: **Francois Kergoet**, Malakoff (FR)

(73) Assignee: **Kohler France SAS**, Paris (FR)

(\*\*) Term: **14 Years**

(21) Appl. No.: **29/304,365**

(22) Filed: **Feb. 29, 2008**

(51) **LOC (9) Cl.** ..... **23-02**

(52) **U.S. Cl.** ..... **D23/284**

(58) **Field of Classification Search** ..... D23/270–274,  
D23/284, 285, 291, 293.1, 303, 308; 4/619,  
4/638, 650, 661

See application file for complete search history.

(56) **References Cited**

**U.S. PATENT DOCUMENTS**

3,034,146 A \* 5/1962 Lyon ..... 4/650

(Continued)

**OTHER PUBLICATIONS**

Toto. Prominence Suite Wall Mount Lavatory Sink with Faucet Holes on 4 “Centers”. Model No. LHT242.4-51. FaucetDepot.com online catalog. Copyright 2007 Faucet Depot.

Kohler Co. “Chablis Wall-mount Lavatory”. Model No. K-2083-4. HomePortfolio.com online catalog. Copyright 1997-2007 HomePortfolio Inc.

(Continued)

*Primary Examiner*—Robert A Delehanty

(74) *Attorney, Agent, or Firm*—Quarles & Brady LLP

(57) **CLAIM**

The ornamental design for a lavatory, as shown and described.

**DESCRIPTION**

In a preferred embodiment, the nature of this product is as a plumbing fixture in the form of a lavatory.

FIG. 1 is a left, top, front perspective view of a lavatory embodying my new design;

FIG. 2 is a top plan view thereof;

FIG. 3 is a front elevational view thereof;

FIG. 4 is a left side elevational view thereof, the right side elevational view thereof being a mirror image of the left side shown;

FIG. 5 is a rear elevational view thereof;

FIG. 6 is a bottom plan view thereof;

FIG. 7 is a sectional view thereof taken along line 7—7 of FIG. 2;

FIG. 8 is a left, top, front perspective view of a lavatory according to another embodiment of my new design;

FIG. 9 is a top plan view thereof;

FIG. 10 is a front elevational view thereof;

FIG. 11 is a left side elevational view thereof, the right side elevational view thereof being a mirror image of the left side shown;

FIG. 12 is a rear elevational view thereof;

FIG. 13 is a bottom plan view thereof;

FIG. 14 is a sectional view thereof taken along line 14—14 of FIG. 9;

FIG. 15 is a left, top, front perspective view of a lavatory according to another embodiment of my new design;

FIG. 16 is a top plan view thereof;

FIG. 17 is a front elevational view thereof;

FIG. 18 is a left side elevational view thereof, the right side elevational view thereof being a mirror image of the left side shown;

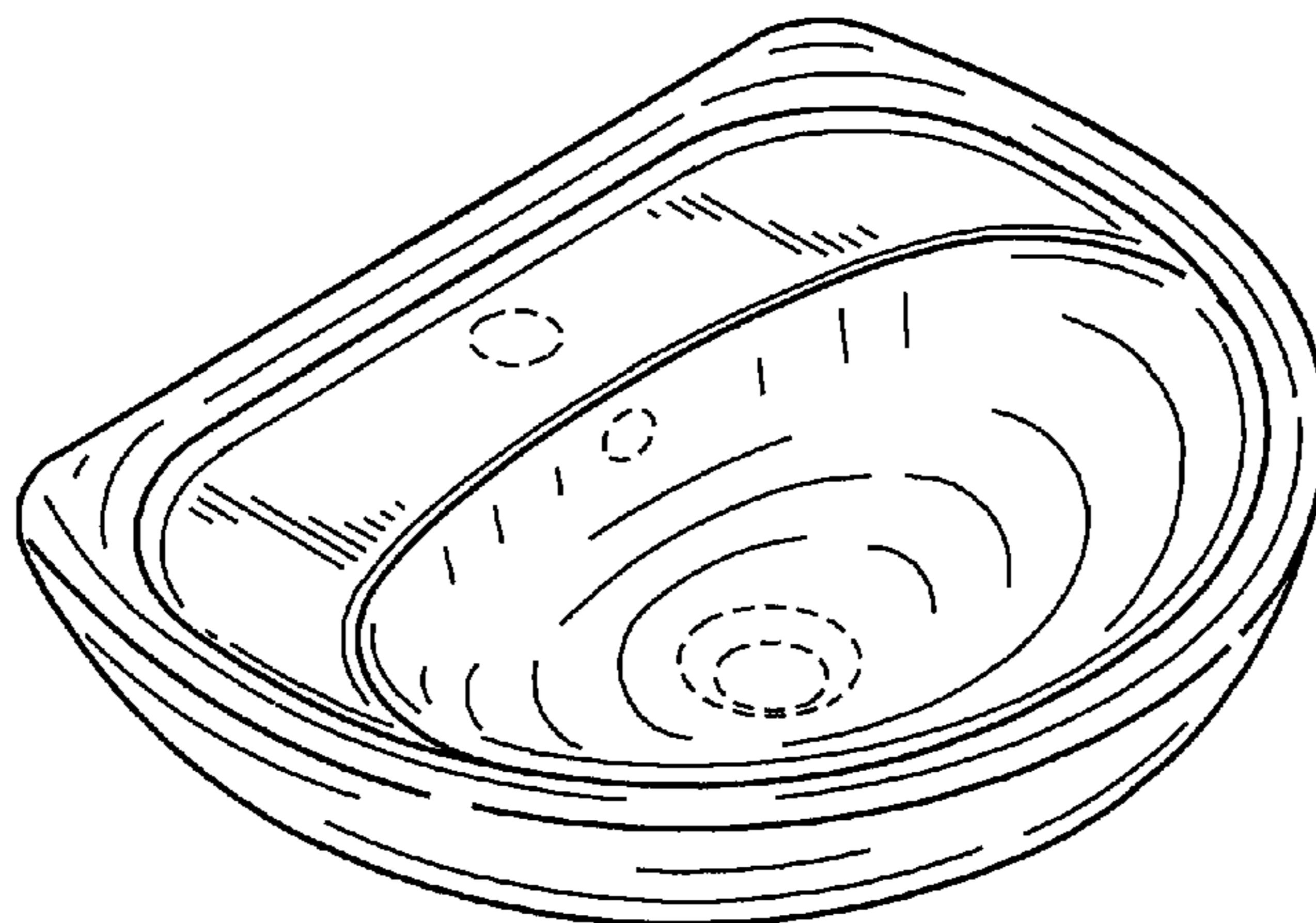
FIG. 19 is a rear elevational view thereof;

FIG. 20 is a bottom plan view thereof; and,

FIG. 21 is a sectional view thereof taken along line 21—21 of FIG. 16.

The broken line representations in the figures are for the purpose of illustration only, and form no part of the claimed design.

**1 Claim, 9 Drawing Sheets**



# US D598,080 S

Page 2

---

## U.S. PATENT DOCUMENTS

3,034,149 A \* 5/1962 Lyon ..... 4/631  
D201,344 S \* 6/1965 Stairs, Jr. .... D23/293.1  
D258,906 S 4/1981 Doman  
D273,978 S 5/1984 Enthoven  
D274,164 S 6/1984 Enthoven  
D293,930 S 1/1988 Reid  
D328,338 S \* 7/1992 Ragonot ..... D23/284  
D347,273 S 5/1994 Wei  
D394,308 S \* 5/1998 Bertoli ..... D23/293.1  
D408,898 S 4/1999 Kaiser

D412,562 S 8/1999 Soulier  
D434,124 S 11/2000 McKeone  
D538,408 S \* 3/2007 Soulier ..... D23/293.1

## OTHER PUBLICATIONS

British Bathroom Centre. "Cloakroom". BathCentre.com  
online catalog. Copyright B.B.C.  
Kohler Co. "Parigi" Pedestal Lavatory. Model No. K-2175.  
Kohler Co. online catalog. Copyright 2008 Kohler Co.

\* cited by examiner

FIG. 1

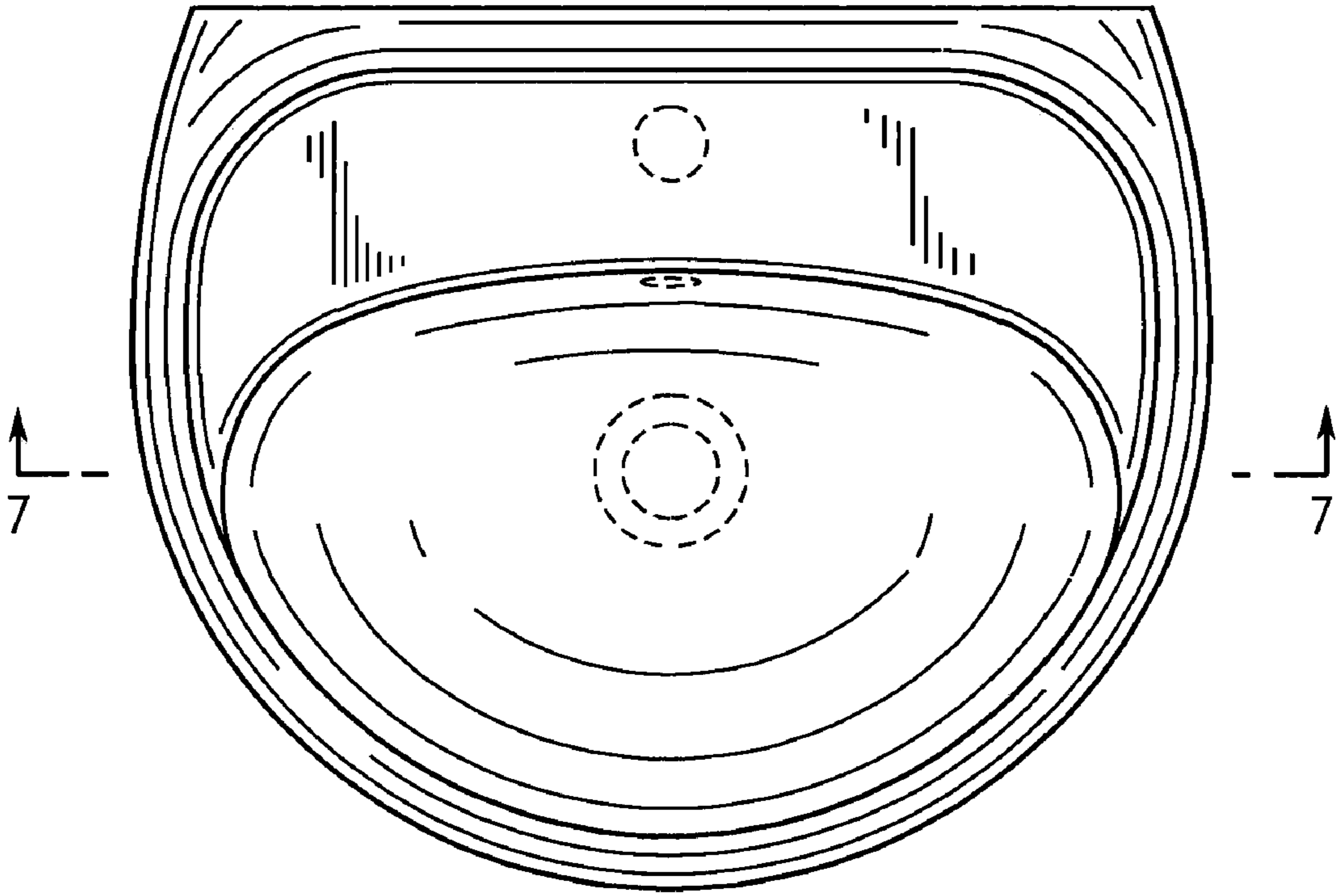
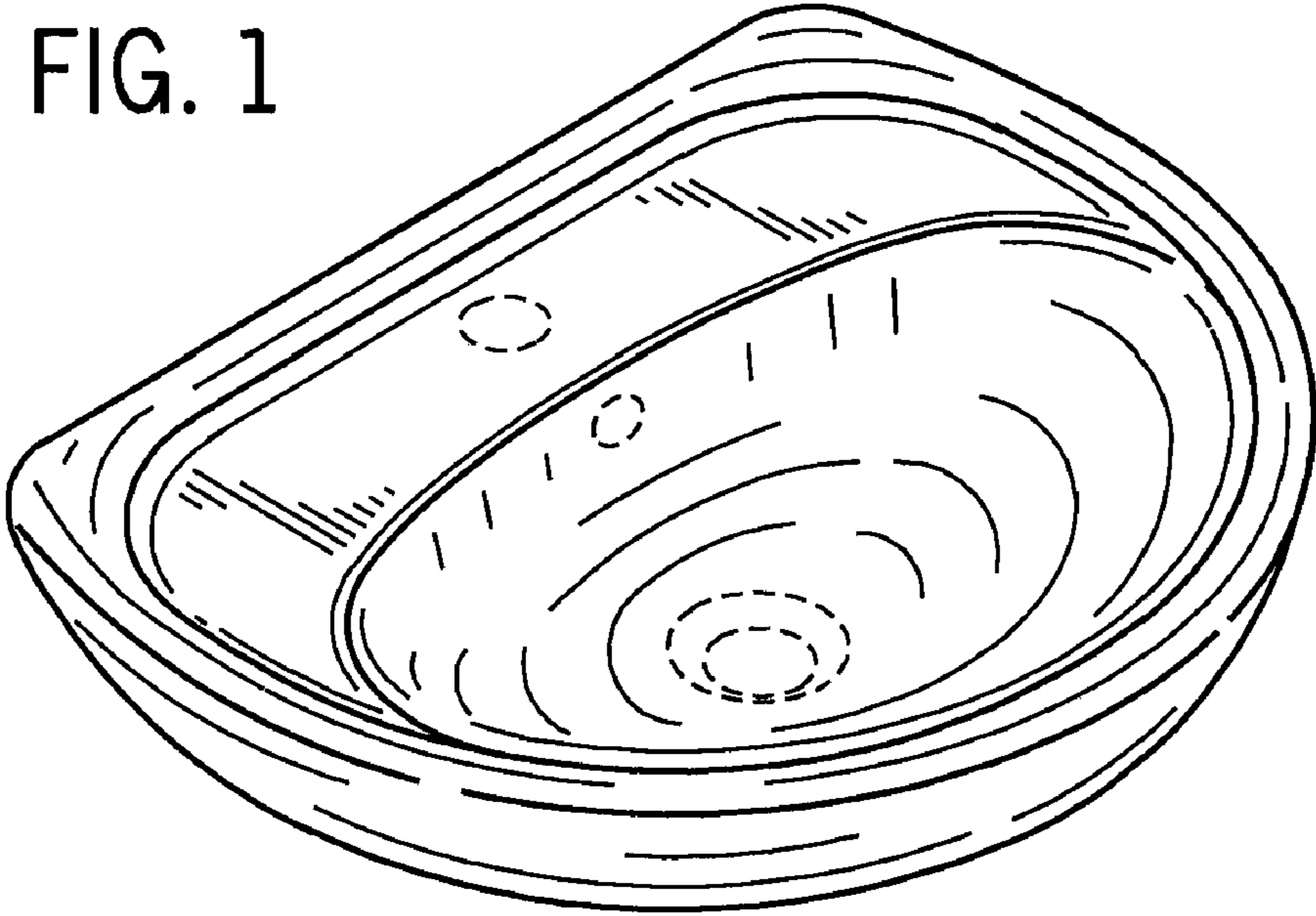


FIG. 2

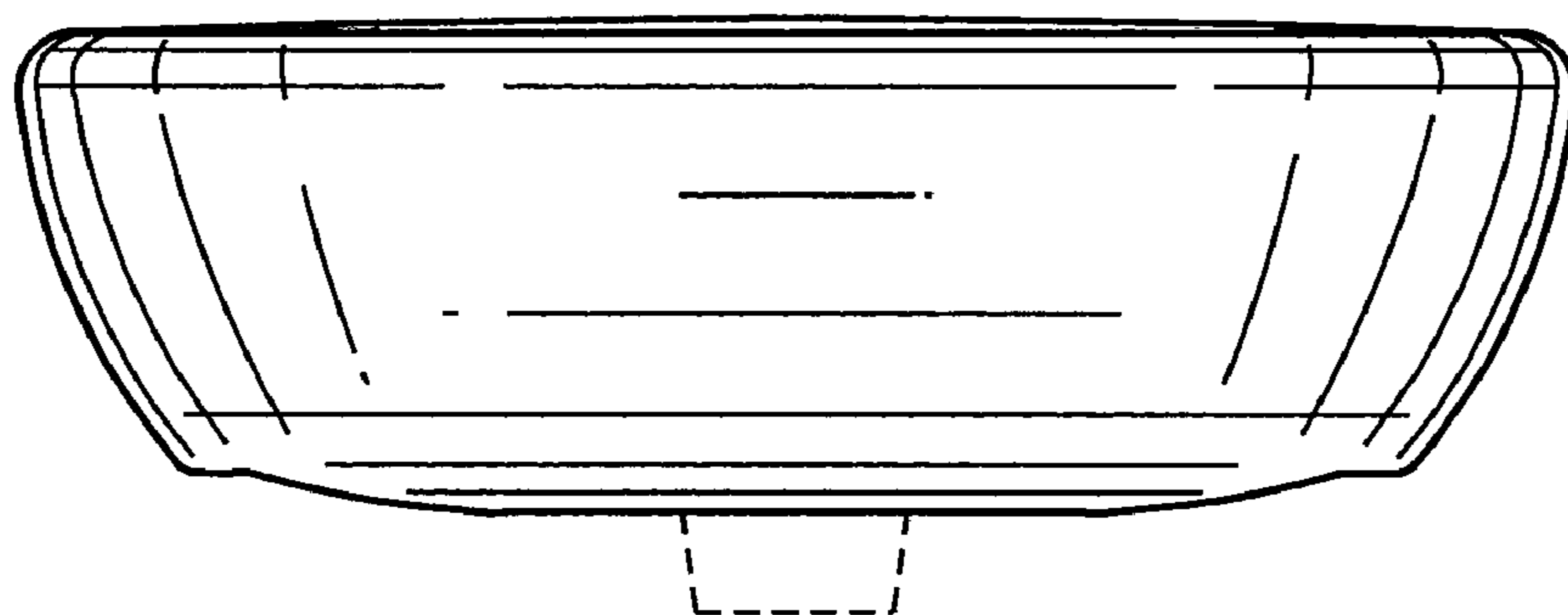


FIG. 3

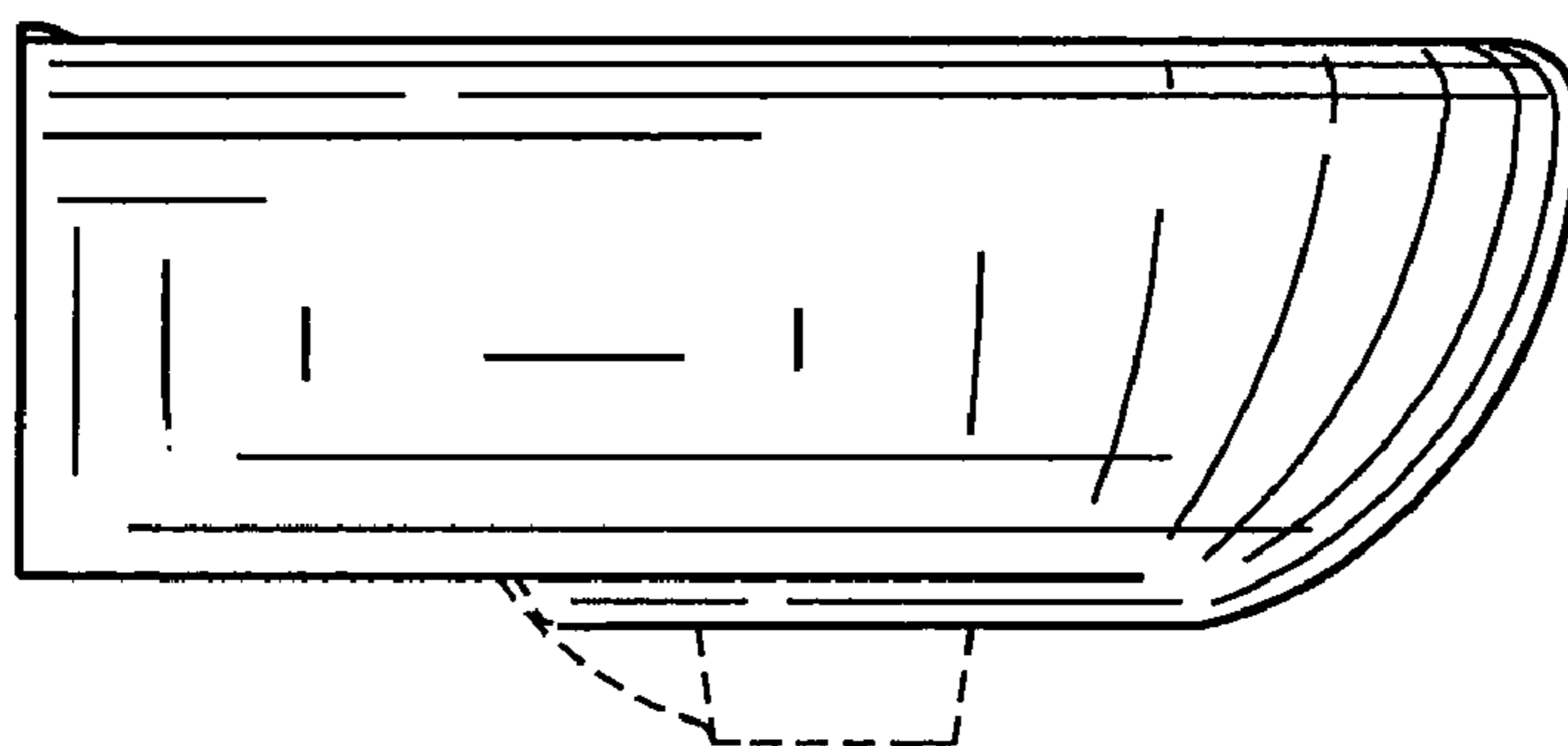


FIG. 4

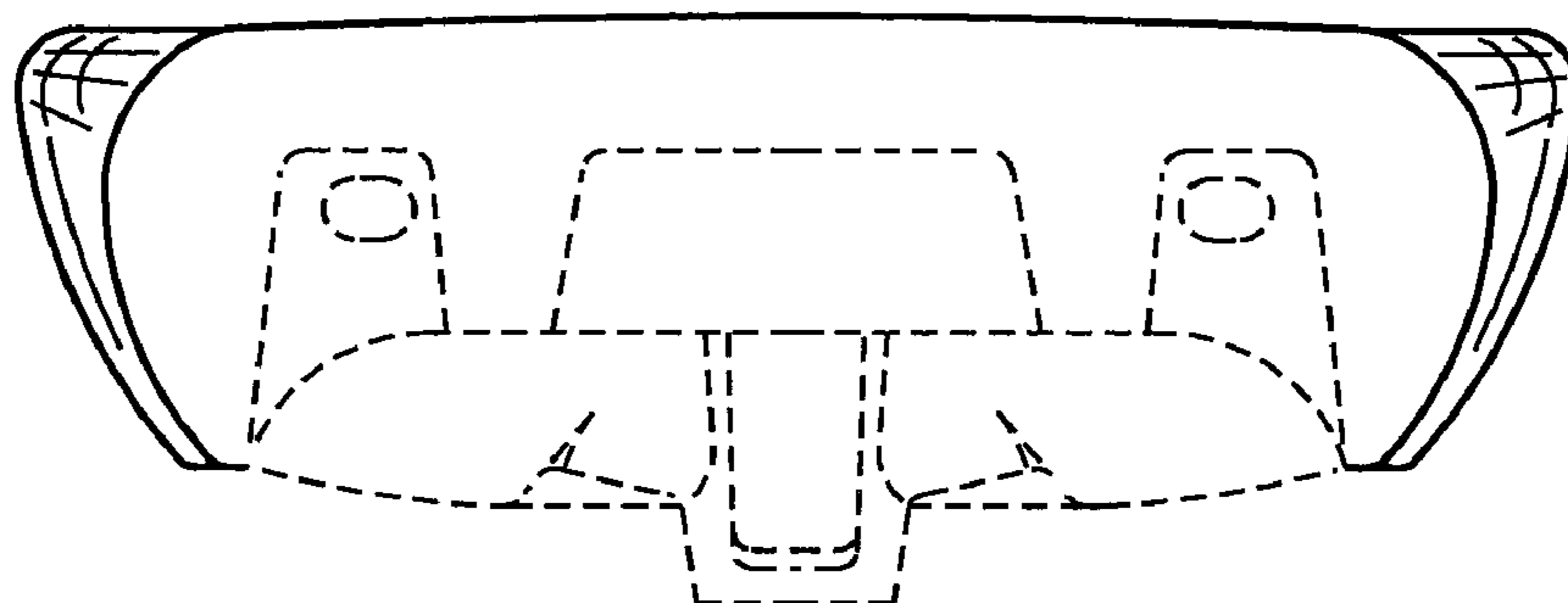


FIG. 5



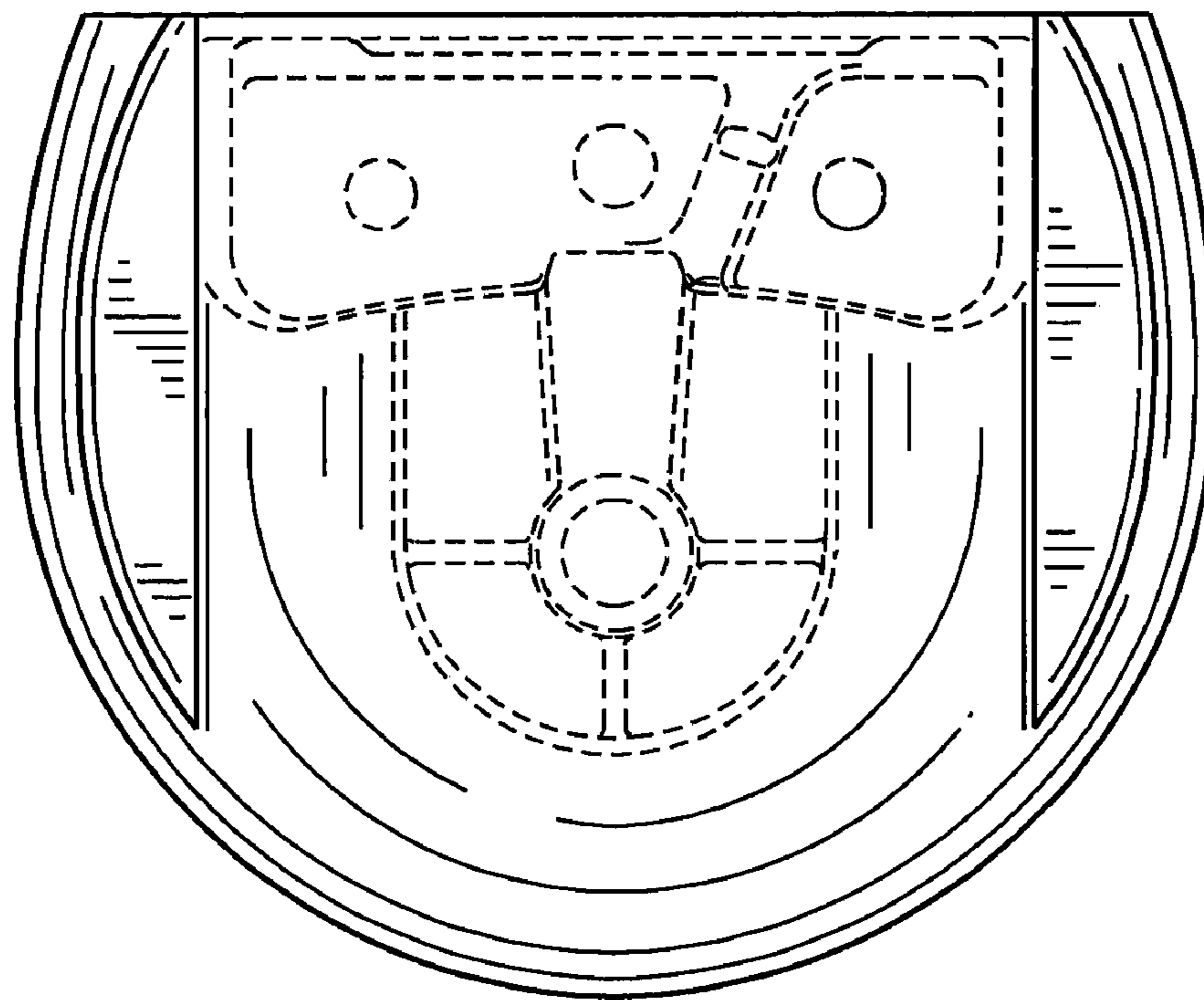


FIG. 6

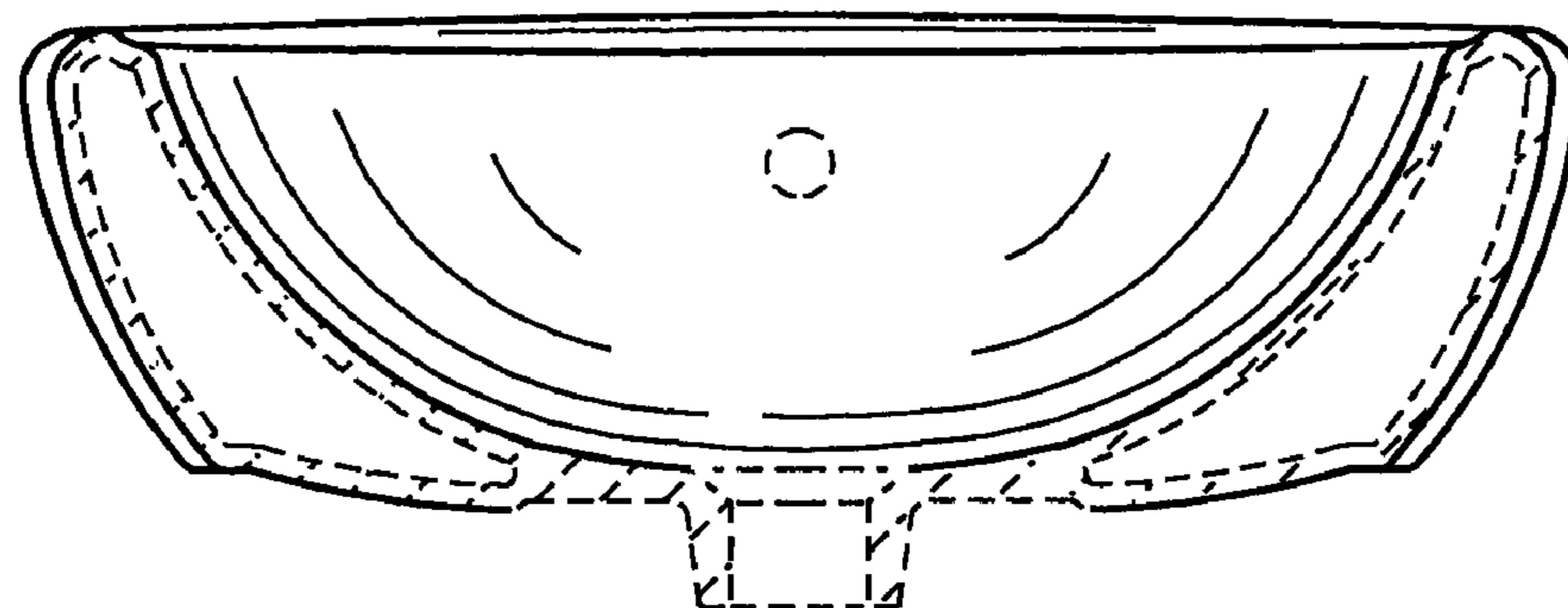


FIG. 7

FIG. 8

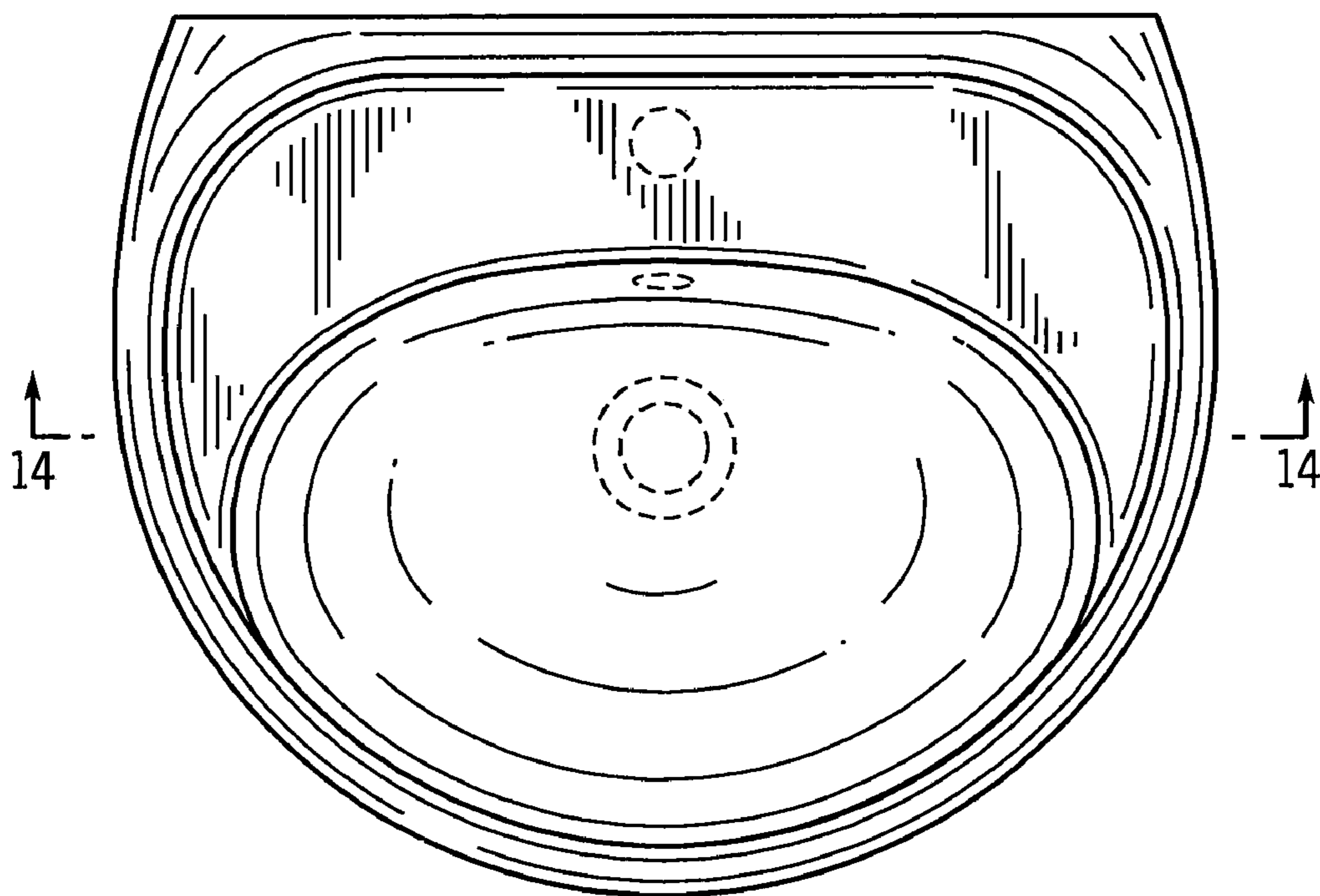
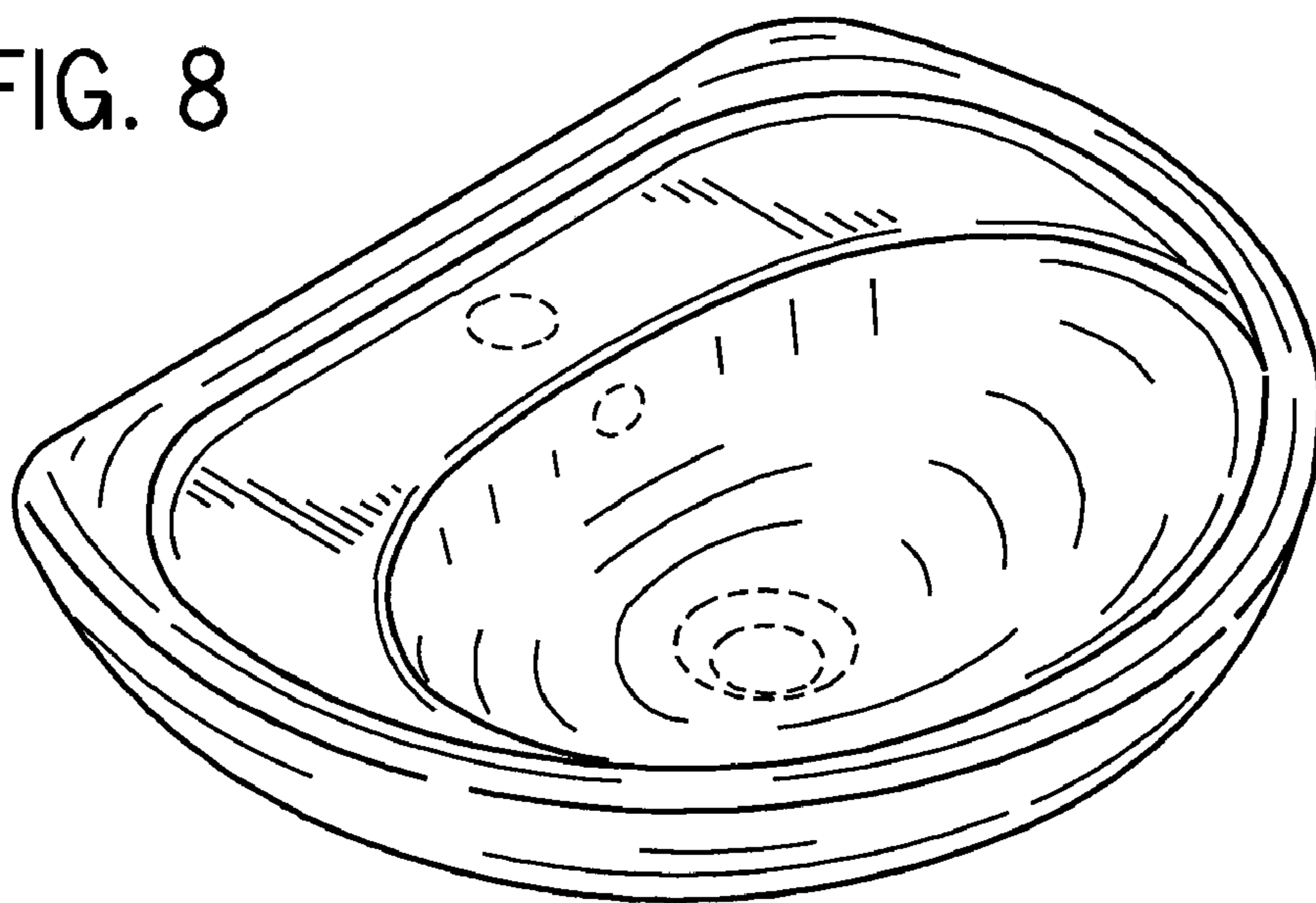


FIG. 9

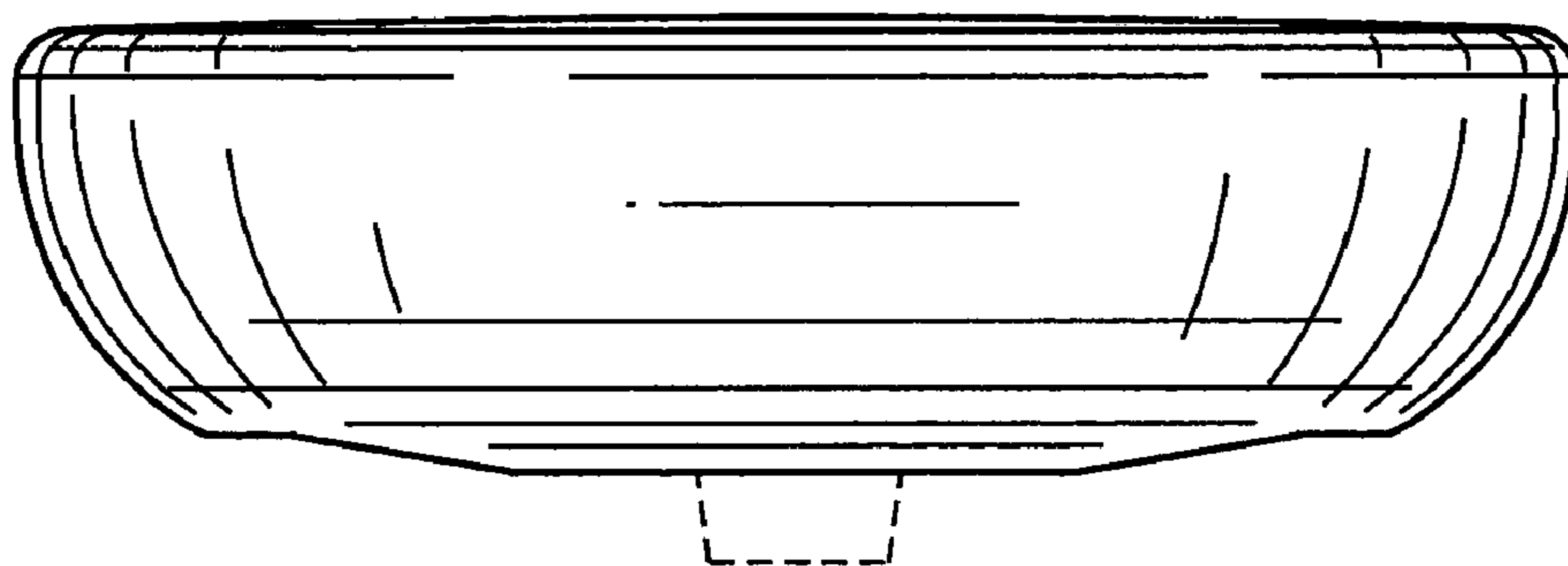


FIG. 10

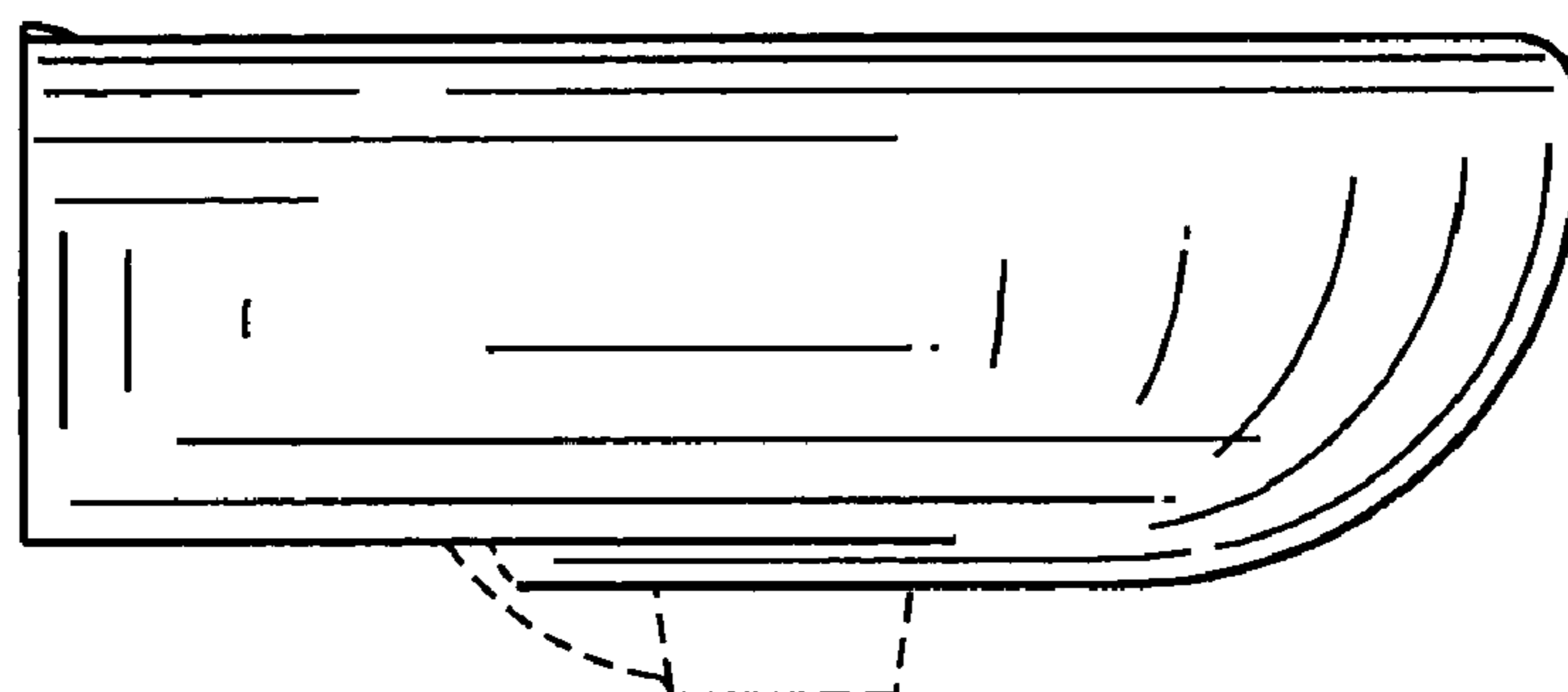


FIG. 11

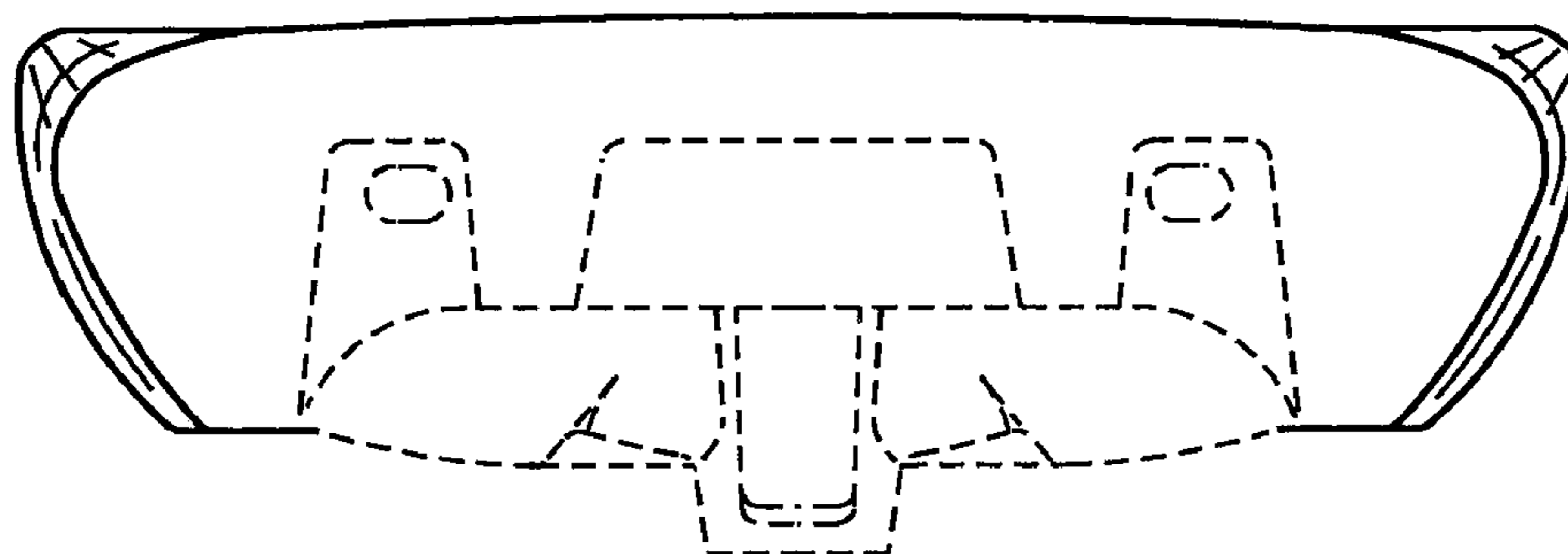


FIG. 12

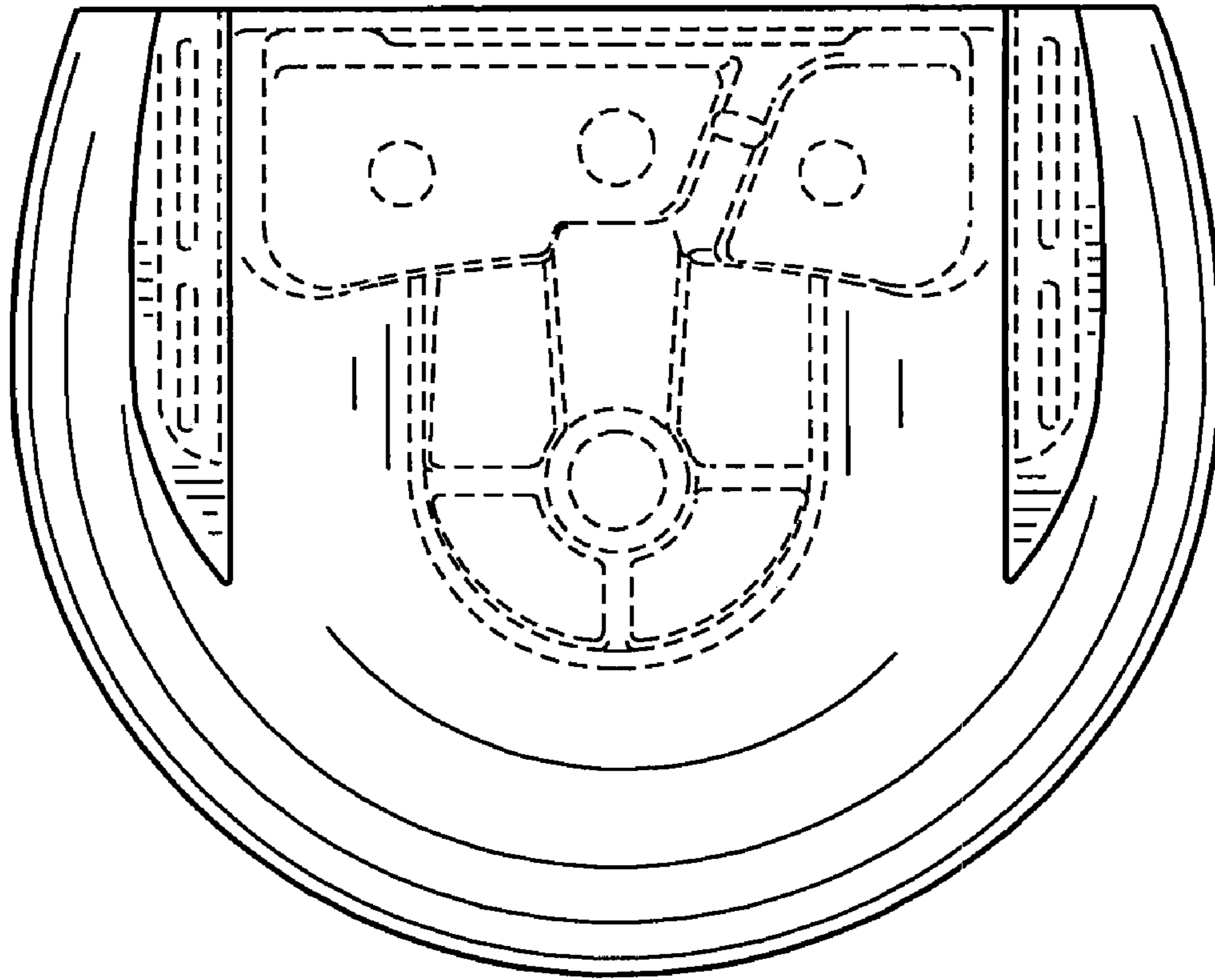


FIG. 13

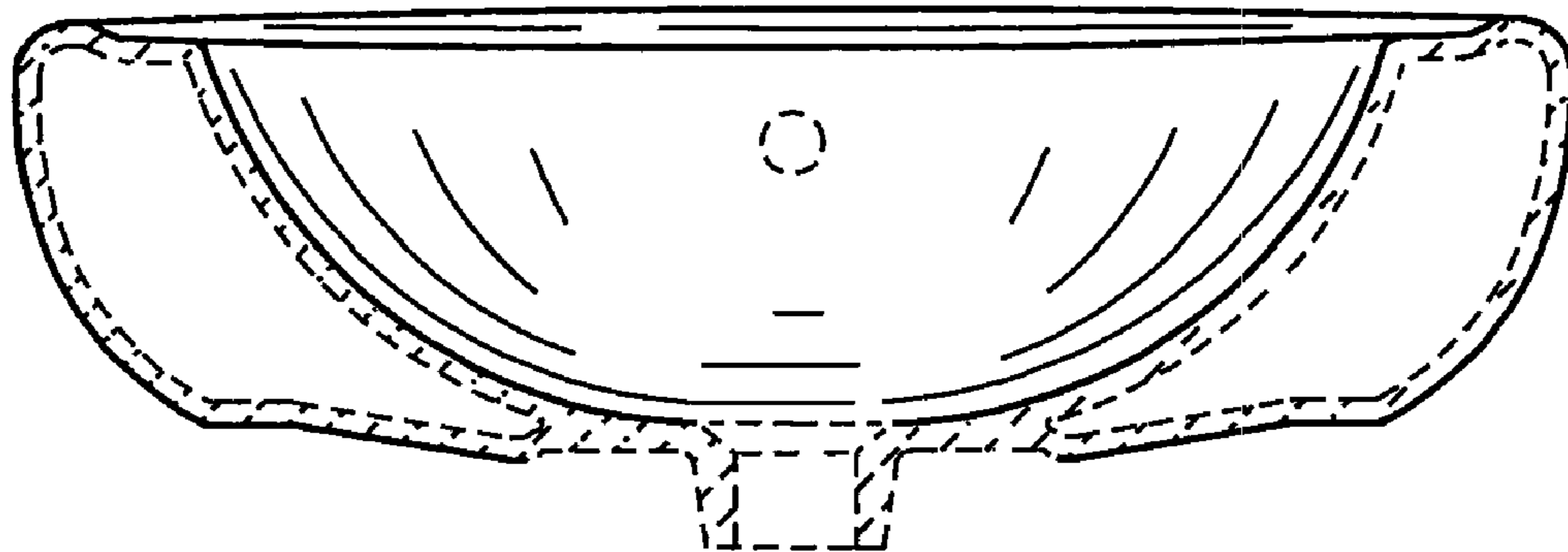
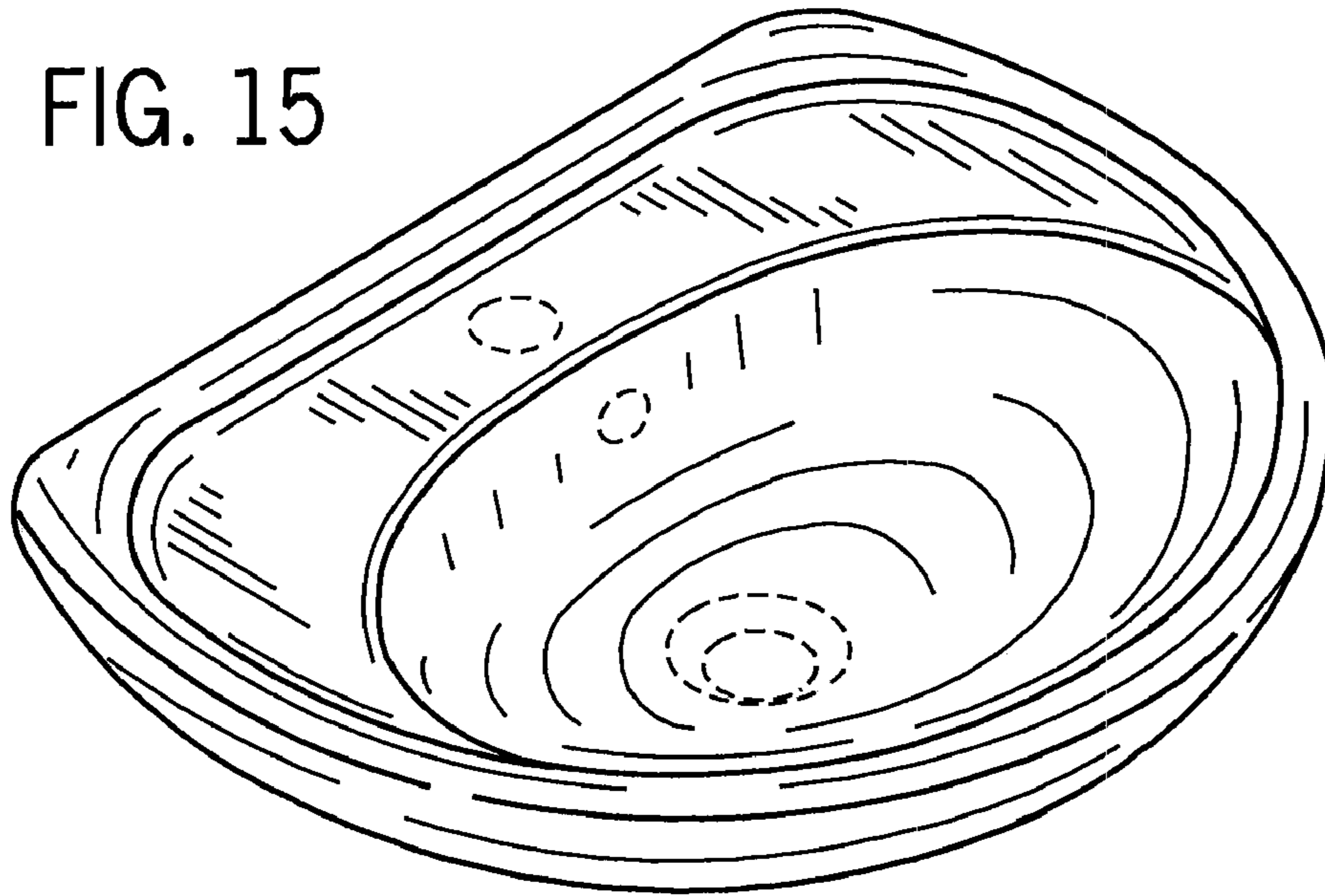


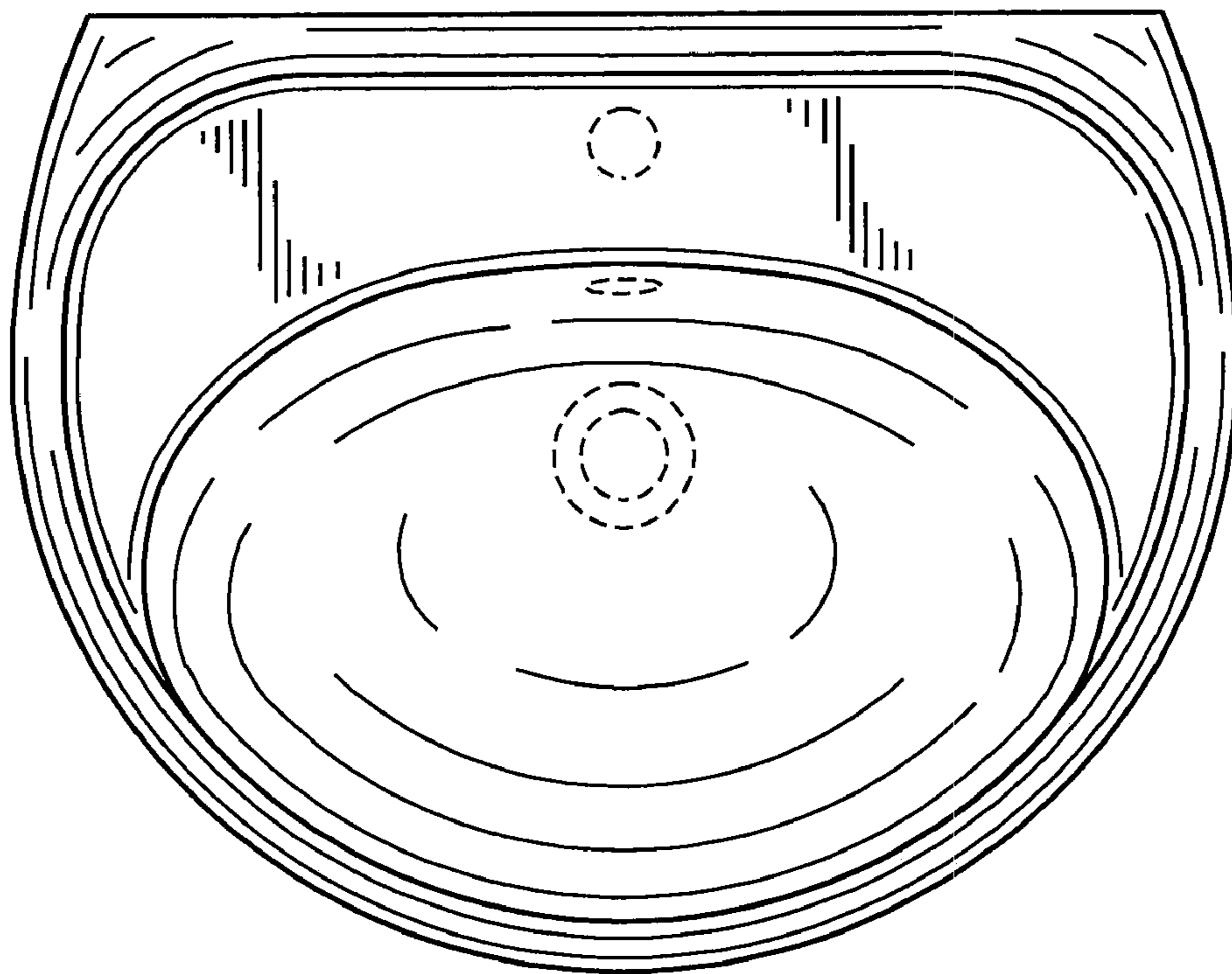
FIG. 14



FIG. 15



↑  
21



↑  
21

FIG. 16

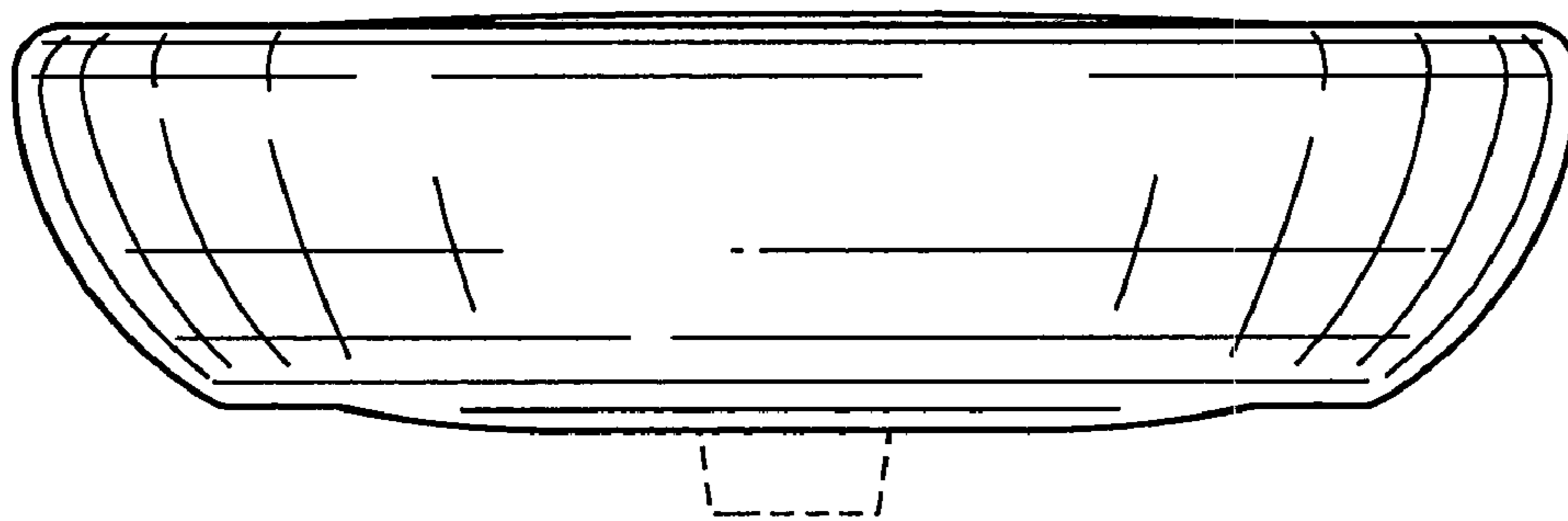


FIG. 17

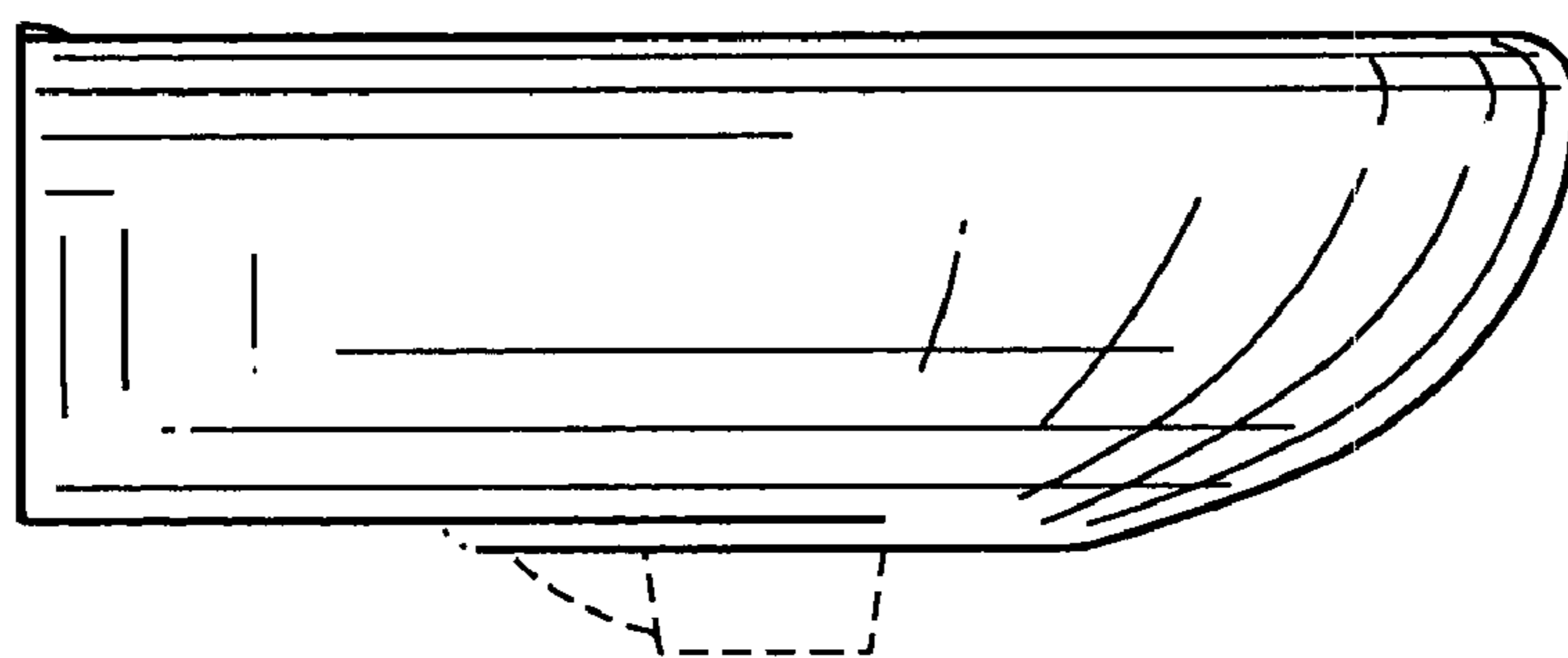


FIG. 18

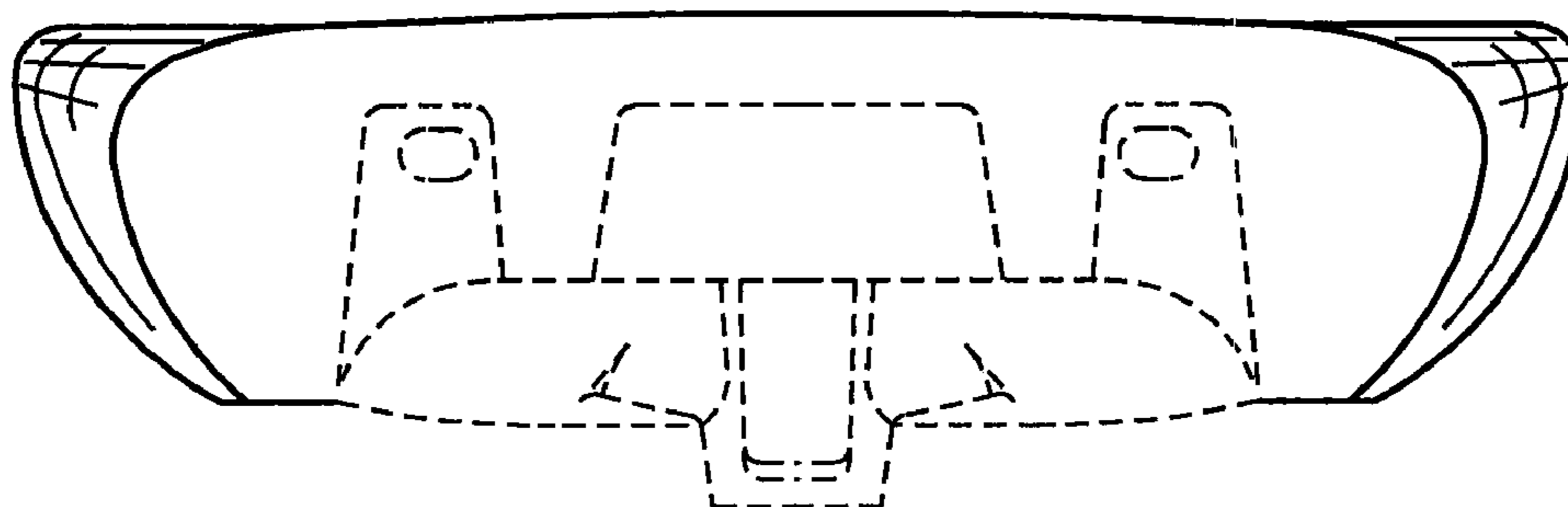


FIG. 19

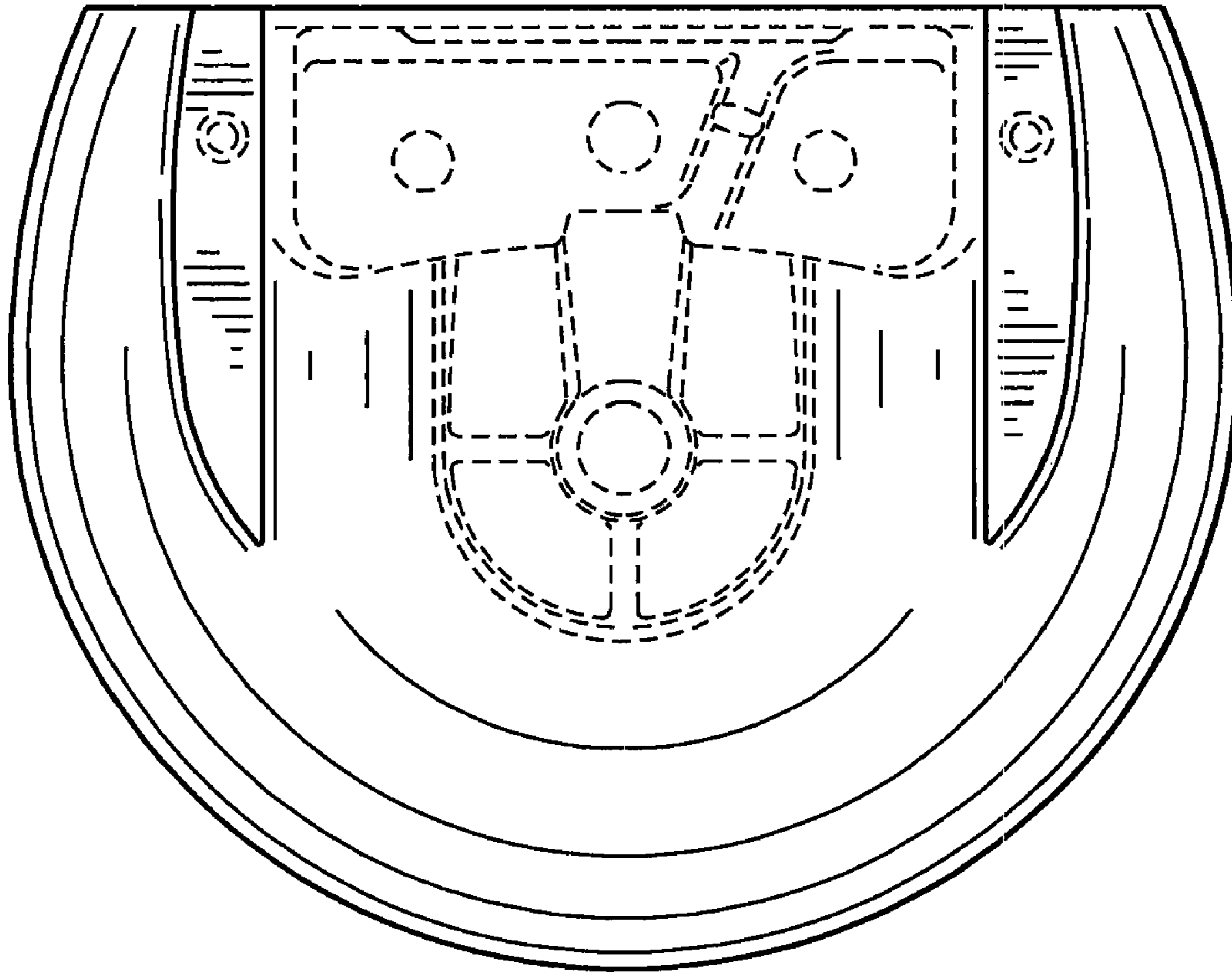


FIG. 20

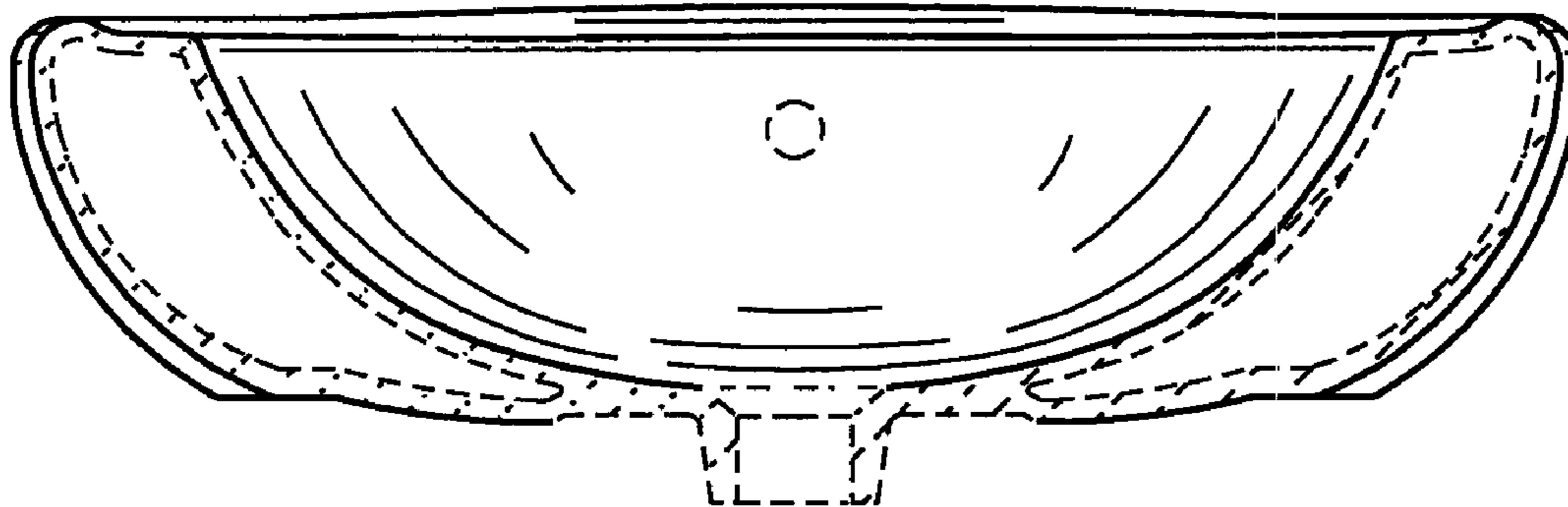


FIG. 21