



US00D598079S

(12) **United States Design Patent**  
**Lutz**

(10) **Patent No.:** **US D598,079 S**

(45) **Date of Patent:** **\*\* Aug. 11, 2009**

(54) **SPLASH GUARDED ELEVATING TUB**

*Primary Examiner*—Robert A Delehanty

(74) *Attorney, Agent, or Firm*—Russell L. Johnson

(76) **Inventor:** **Robert G. Lutz**, N. 5026 State Road 22  
& 110, Manawa, WI (US) 54949

(57) **CLAIM**

(\*\*) **Term:** **14 Years**

The ornamental design for a splash guarded elevating tub,  
substantially as shown

(21) **Appl. No.:** **29/313,425**

(22) **Filed:** **Jan. 6, 2009**

**DESCRIPTION**

(51) **LOC (9) Cl.** ..... **23-02**

(52) **U.S. Cl.** ..... **D23/278; D30/158**

(58) **Field of Classification Search** ..... D23/270,  
D23/273, 276–278, 280.1, 280.2, 280.4, 303–307;  
4/528, 539, 540, 661, 546, 554, 571.1, 594;  
D30/158, 199; 119/671, 676, 675, 673, 677,  
119/603, 606, 665

See application file for complete search history.

FIG. 1 is a perspective view of the tub of this invention in an  
elevated position, taken from a front corner.

FIG. 2 is a perspective view of the tub of FIG. 1 taken from the  
corner diagonally opposite to that of FIG. 1.

FIG. 3 is a perspective view of the tub of FIG. 1 showing the  
tub in a lowered position.

FIG. 4 is a front elevation view of the tub of FIG. 1 in an  
elevated position.

FIG. 5 is a plan view of the tub of FIG. 1.

FIG. 6 is an end elevation view of the tub of FIG. 1 in an  
elevated position.

FIG. 7 is a front elevation view of the tub of FIG. 1 in a  
lowered position; and,

FIG. 8 is an end elevation view of the tub of FIG. 1 in a  
lowered position.

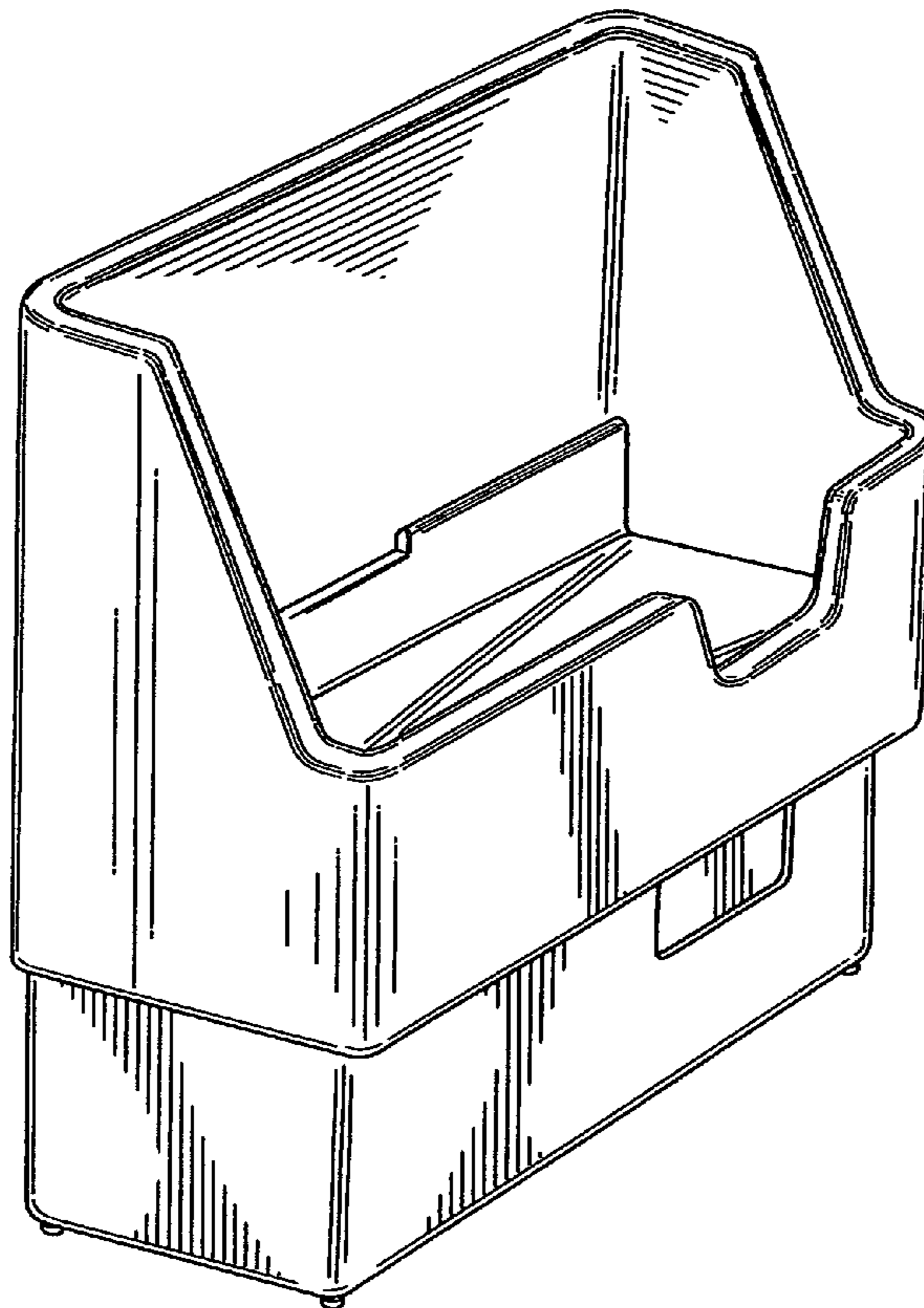
(56) **References Cited**

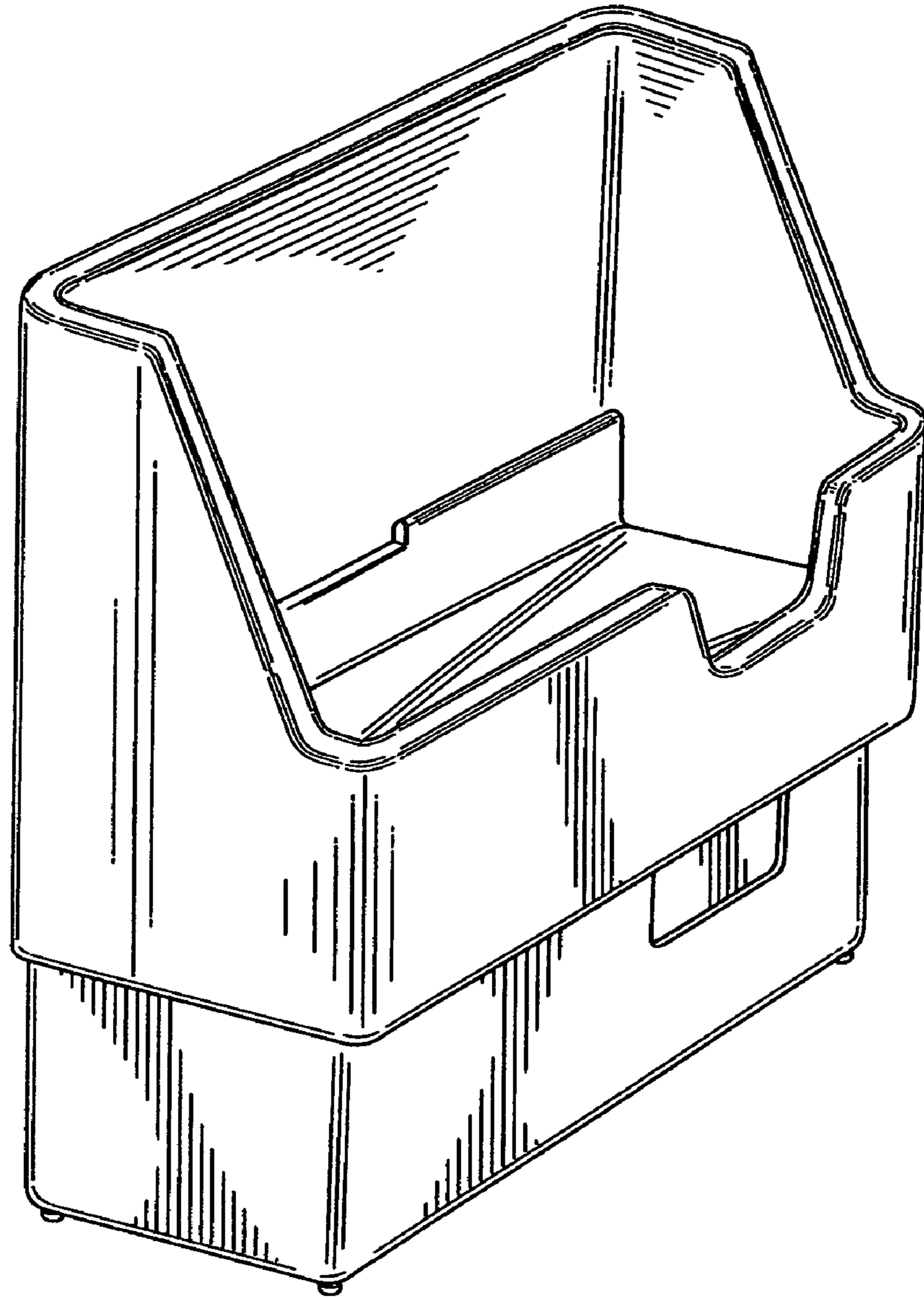
**U.S. PATENT DOCUMENTS**

D95,375 S *	4/1935	Mrogan	.....	D23/280.4
5,259,339 A *	11/1993	McLaughlin	.....	119/676
D364,944 S *	12/1995	Blaine	.....	D30/158
5,845,604 A *	12/1998	Cucchi et al.	.....	119/677
D404,853 S *	1/1999	Foster et al.	.....	D30/158
6,988,467 B1 *	1/2006	Smith	.....	119/675
7,080,608 B1 *	7/2006	Arndt et al.	.....	119/671

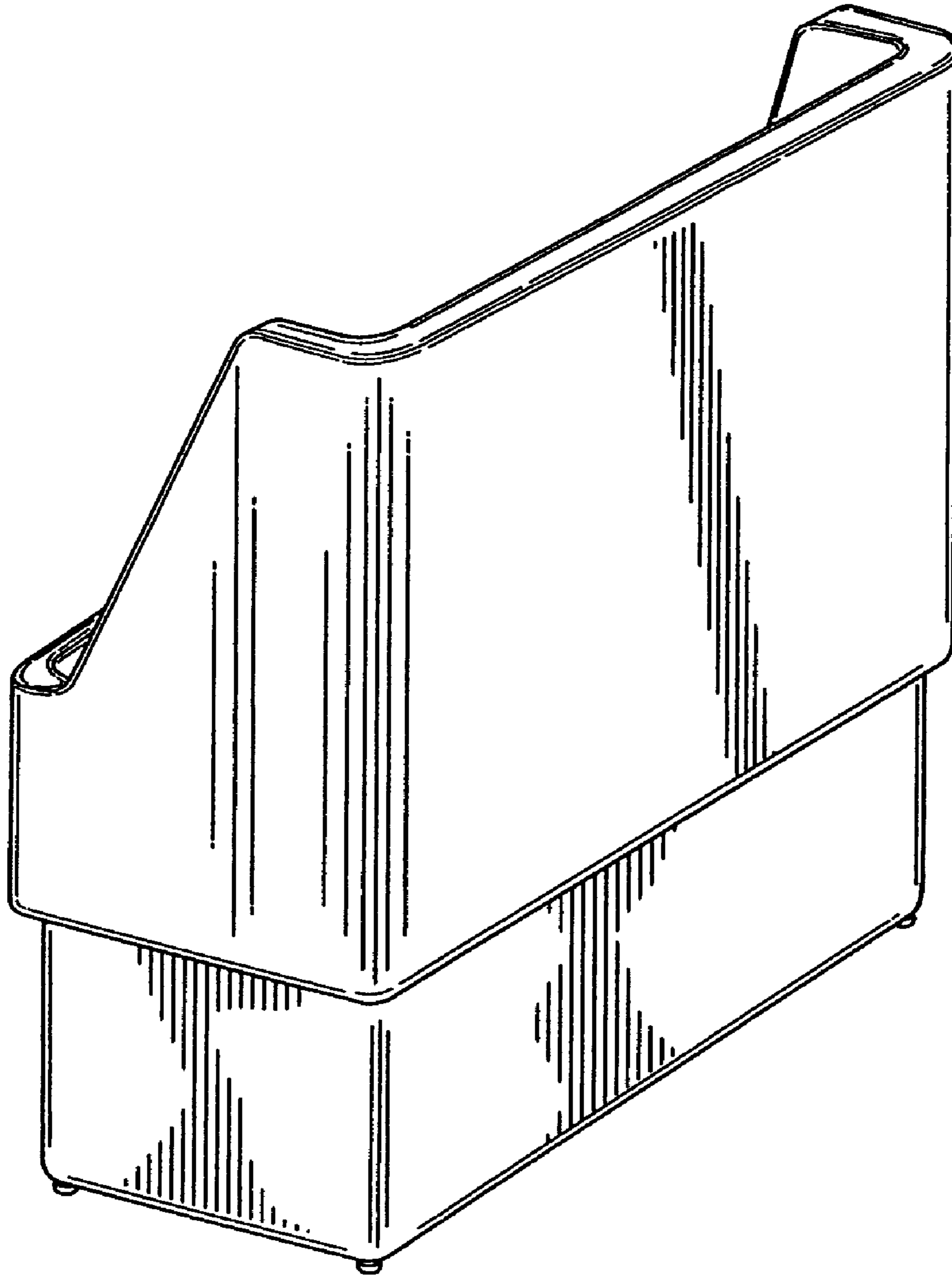
\* cited by examiner

**1 Claim, 5 Drawing Sheets**

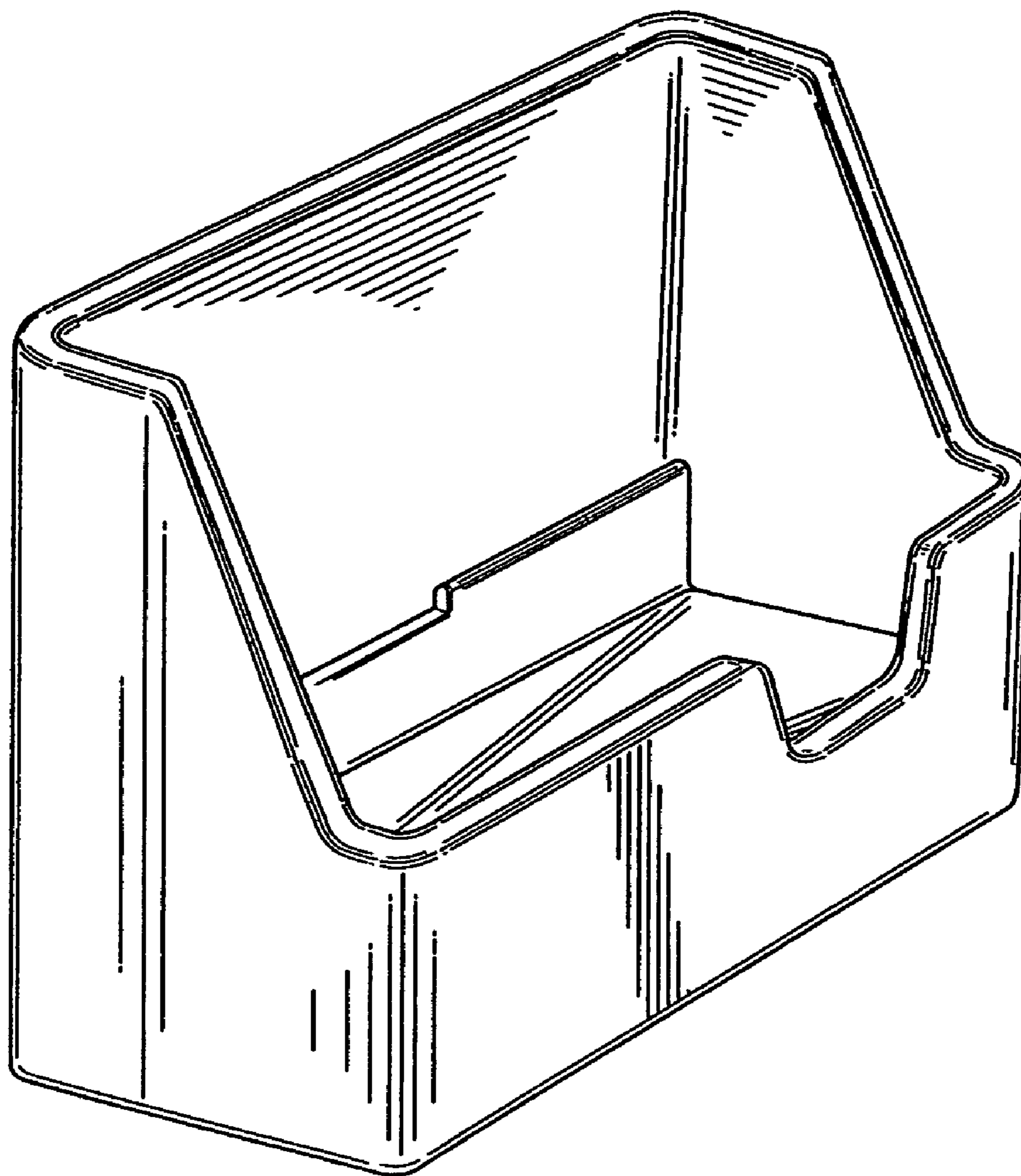




**FIG. 1**



**FIG. 2**



**FIG. 3**

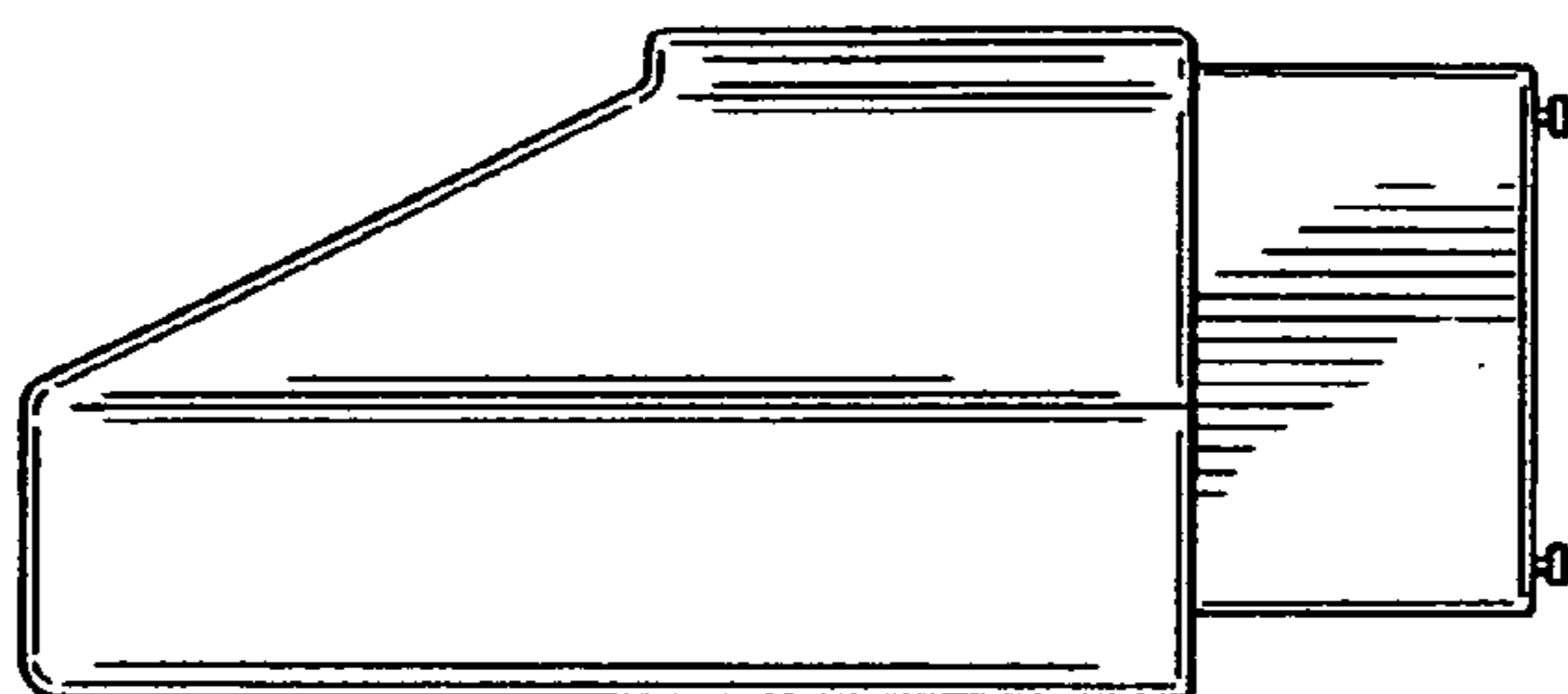


FIG. 6

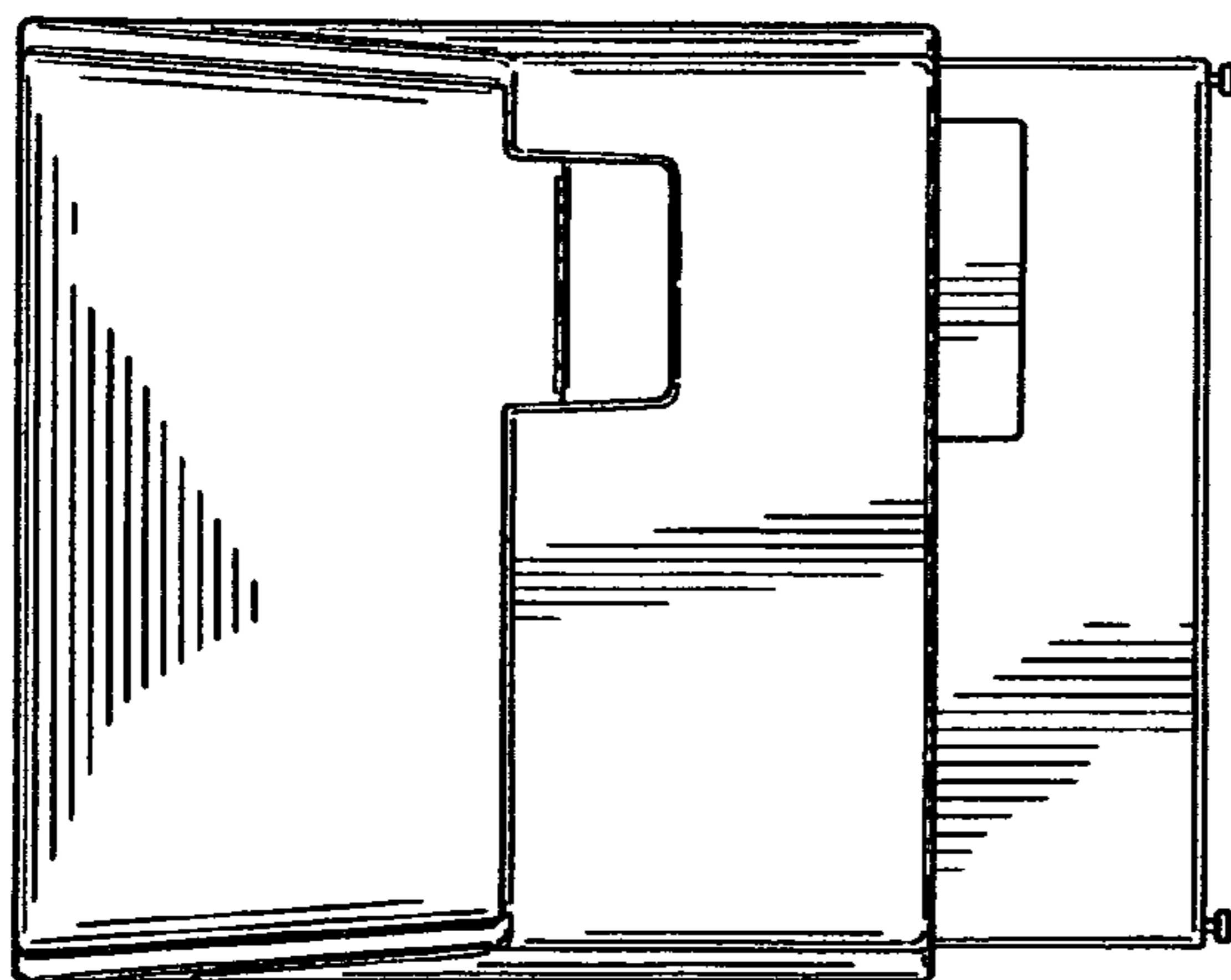


FIG. 4

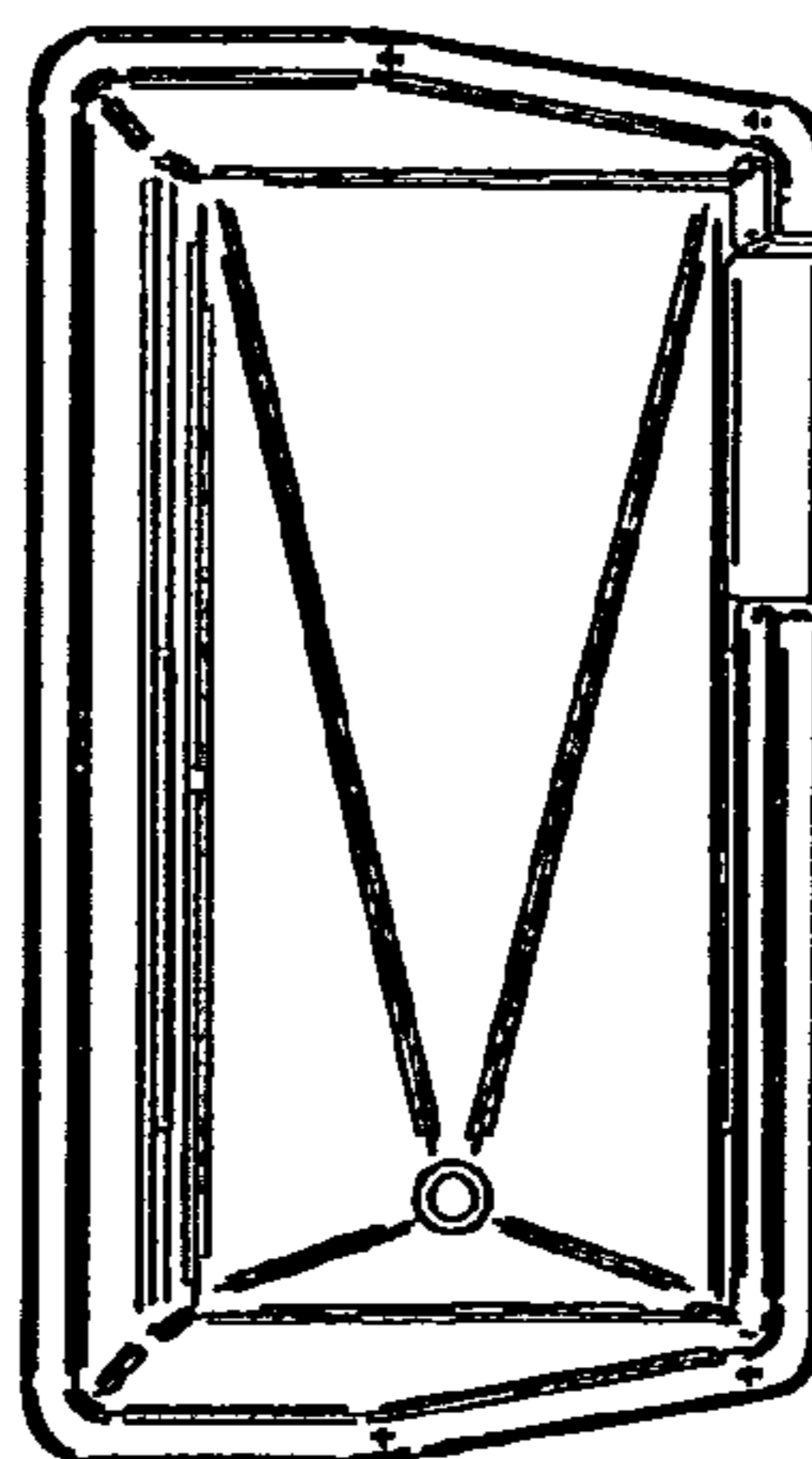


FIG. 5

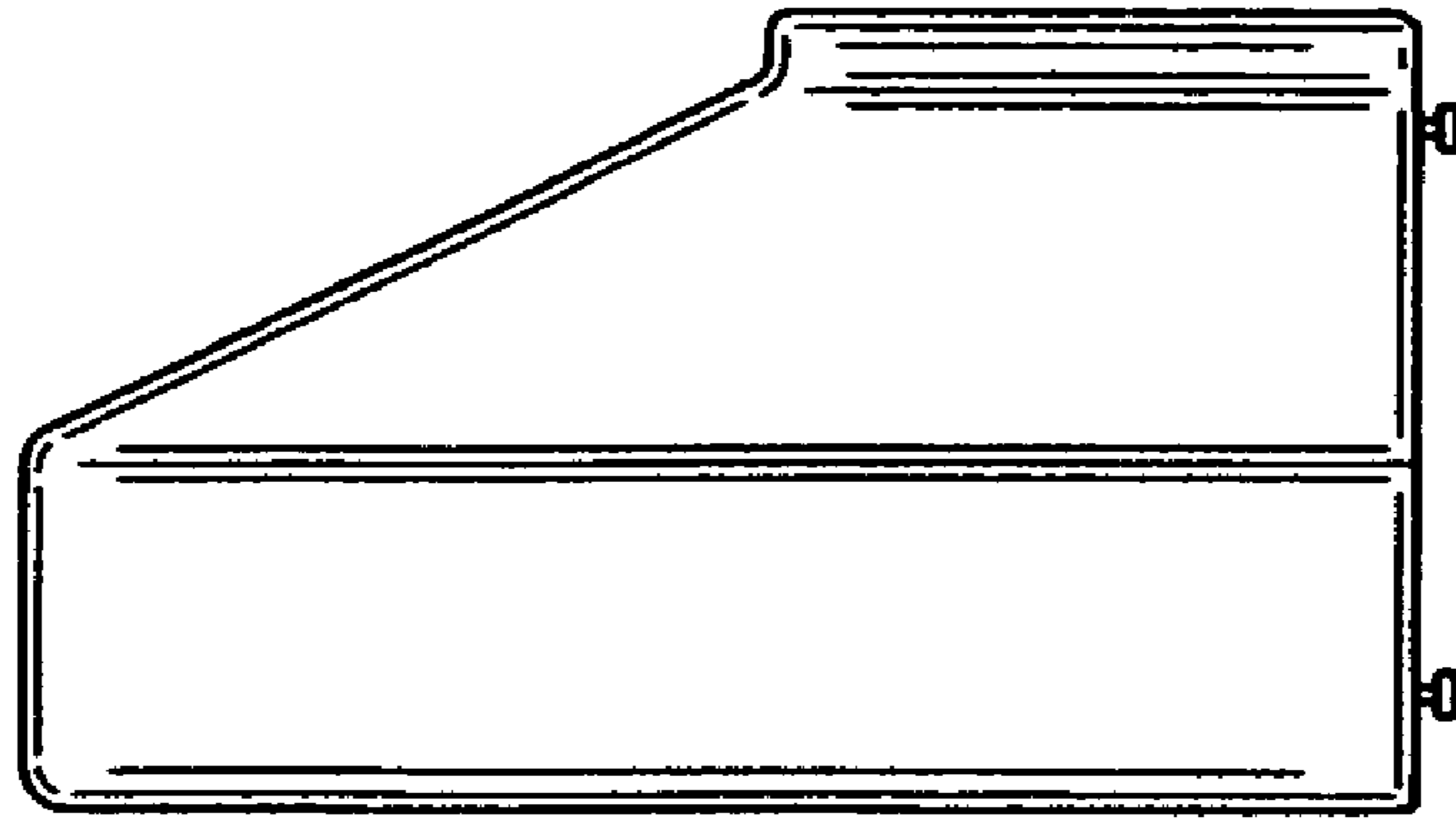


FIG. 8

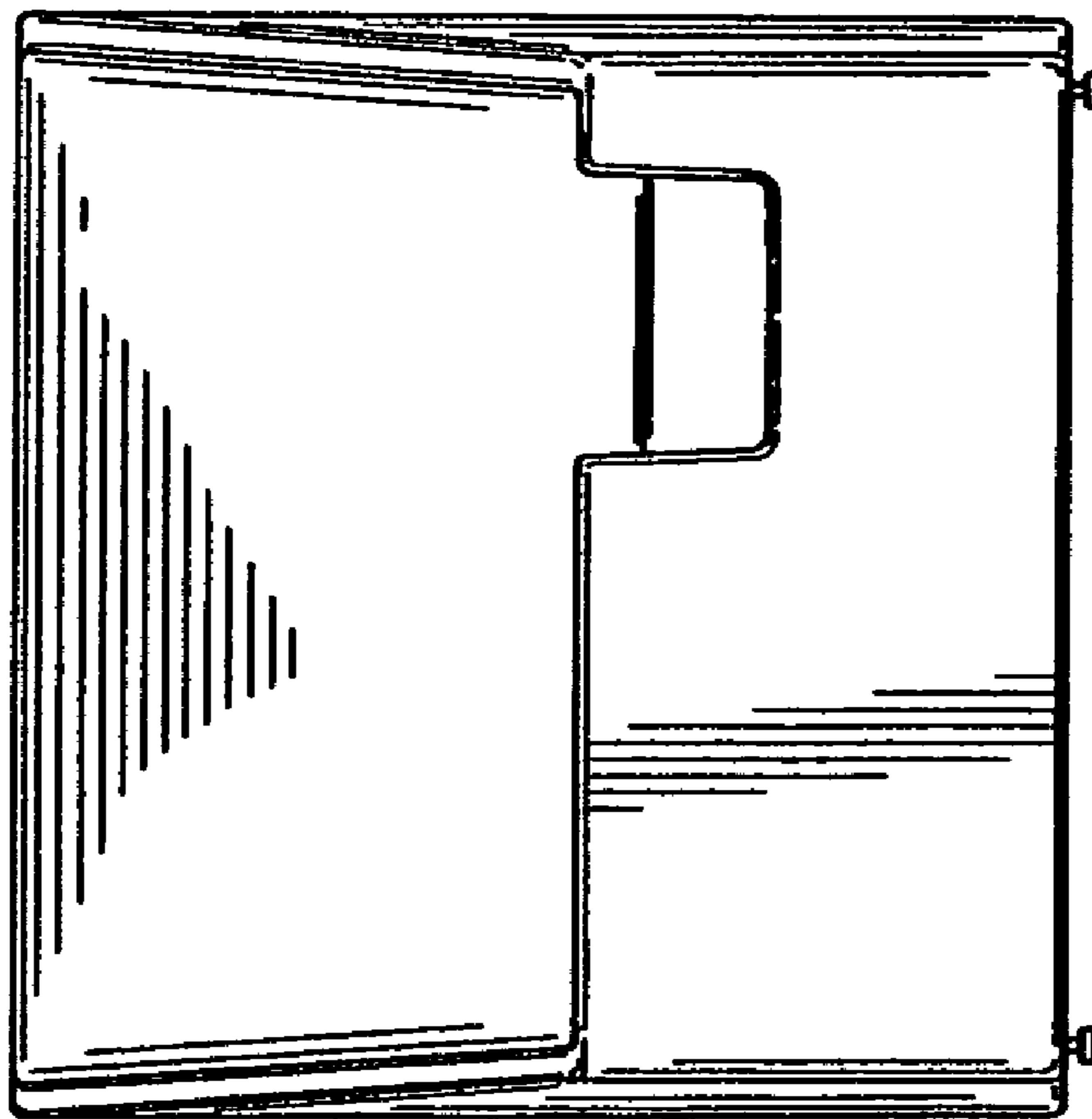


FIG. 7