



US00D598078S

(12) **United States Design Patent**
Lutz

(10) **Patent No.:** **US D598,078 S**

(45) **Date of Patent:** **** Aug. 11, 2009**

(54) **WALK AROUND ELEVATING TUB**

(76) Inventor: **Robert G. Lutz**, N5026 State Road 22 &
110, Manawa, WI (US) 54949

(**) Term: **14 Years**

(21) Appl. No.: **29/313,424**

(22) Filed: **Jan. 6, 2009**

(51) **LOC (9) Cl.** **23-02**

(52) **U.S. Cl.** **D23/278; D30/158**

(58) **Field of Classification Search** D23/270,
D23/273, 276-278, 280.1, 280.2, 280.4, 303-307;
4/528, 539, 540, 661, 546, 554, 571.1, 594;
D30/158, 199; 119/671, 676, 675, 673, 677,
119/603, 606, 665

See application file for complete search history.

(56) **References Cited**

U.S. PATENT DOCUMENTS

5,259,339 A * 11/1993 McLaughlin 119/676

D382,725 S * 8/1997 Hahn D23/278

D404,853 S * 1/1999 Foster et al. D23/278

* cited by examiner

Primary Examiner—Robert A Delehanty

(74) *Attorney, Agent, or Firm*—Russell L. Johnson; Patent
Agent

(57) **CLAIM**

The ornamental design for a walk around elevating tub, sub-
stantially as shown.

DESCRIPTION

FIG. 1 is a perspective view of the tub of this invention in an
elevated position, taken from a front corner.

FIG. 2 is a perspective view of the tub of FIG. 1 taken from the
corner diagonally opposite to that of FIG. 1.

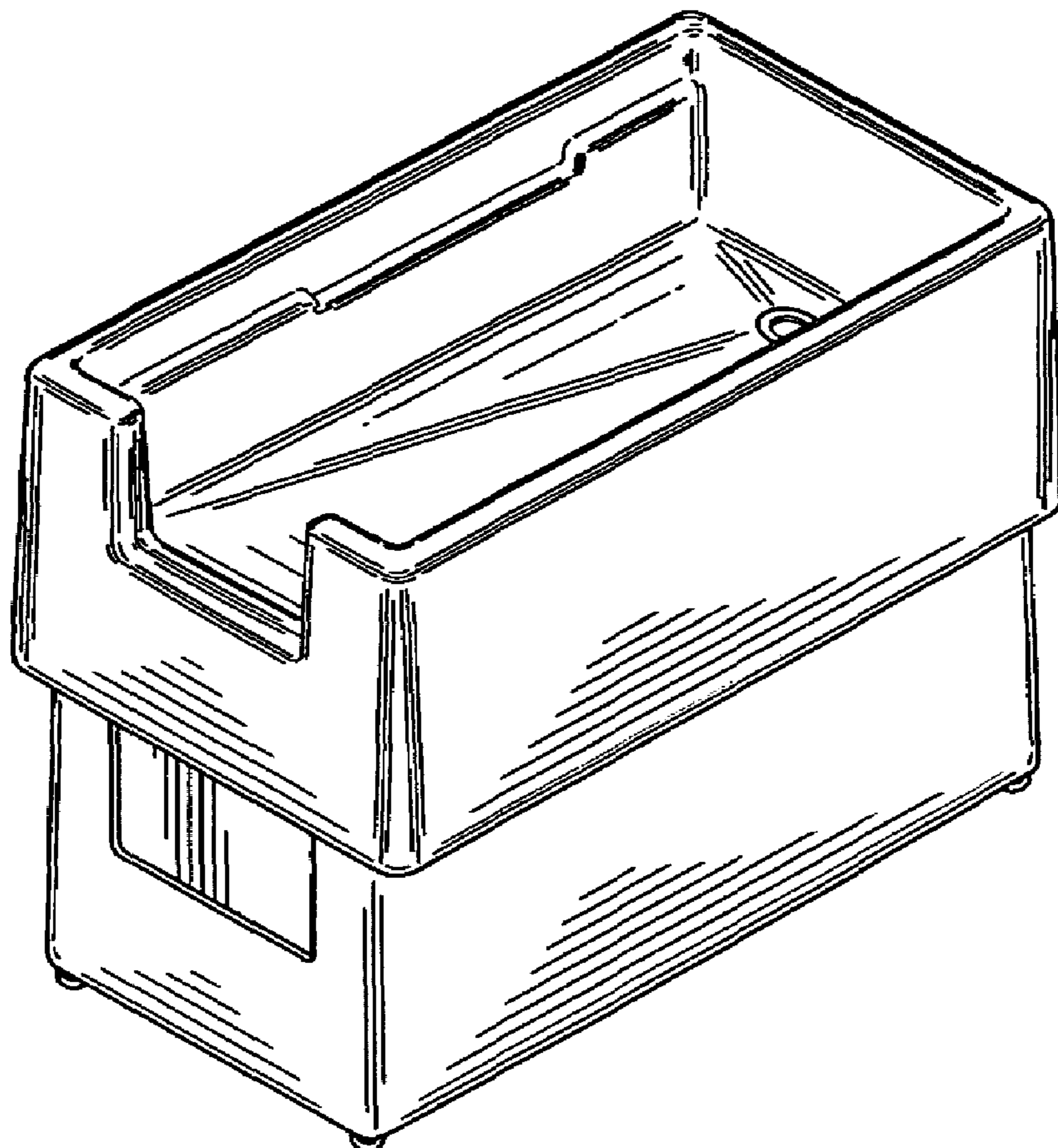
FIG. 3 is a perspective view of the tub of FIG. 1 showing the
tub in a lowered position.

FIG. 4 is a plan view of the tub of FIG. 1.

FIG. 5 is an end elevation view of the tub of FIG. 1; and,

FIG. 6 is a side elevation view of the tub of FIG. 1.

1 Claim, 2 Drawing Sheets



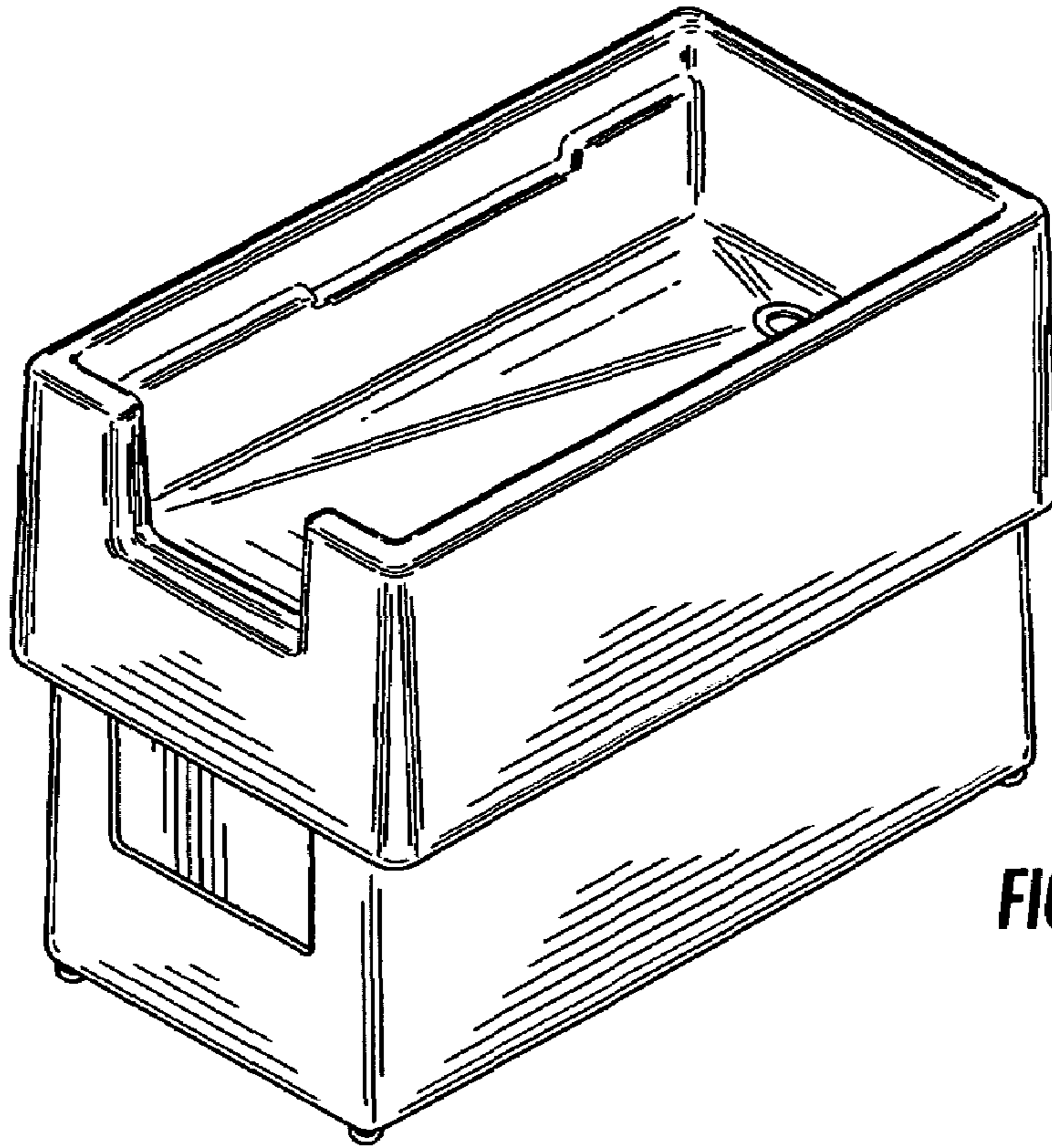


FIG. 1

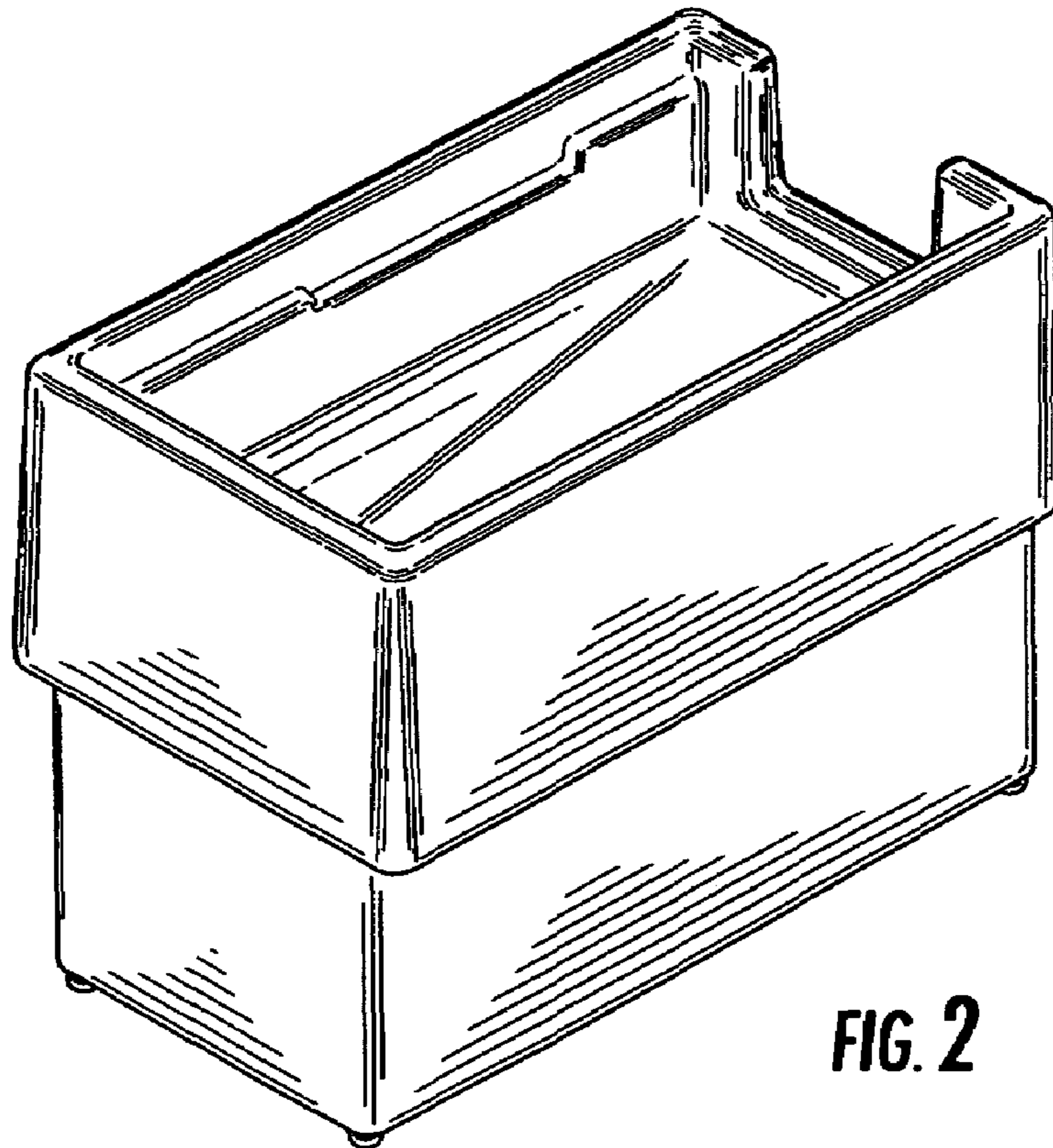


FIG. 2

FIG. 4

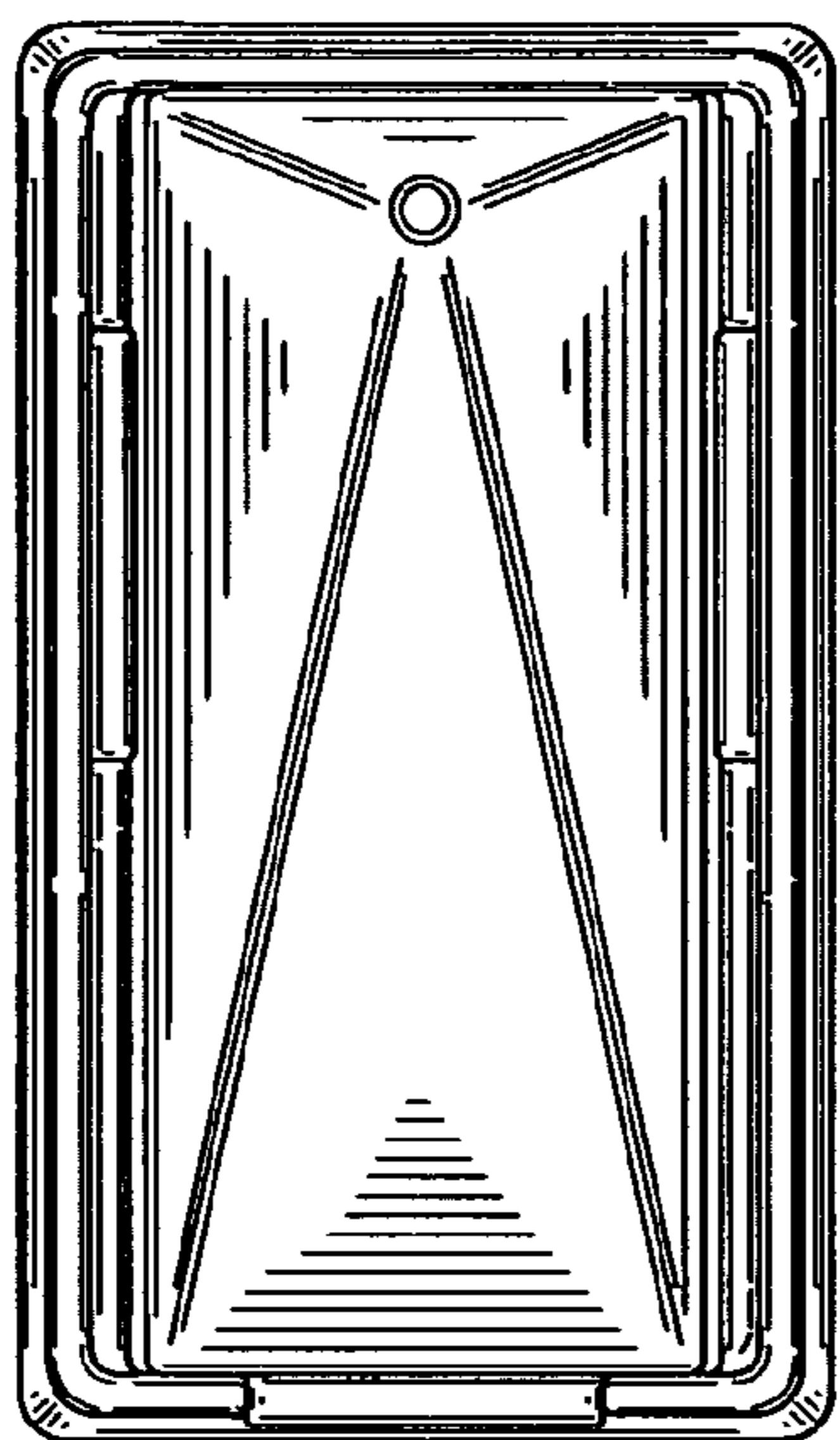


FIG. 6

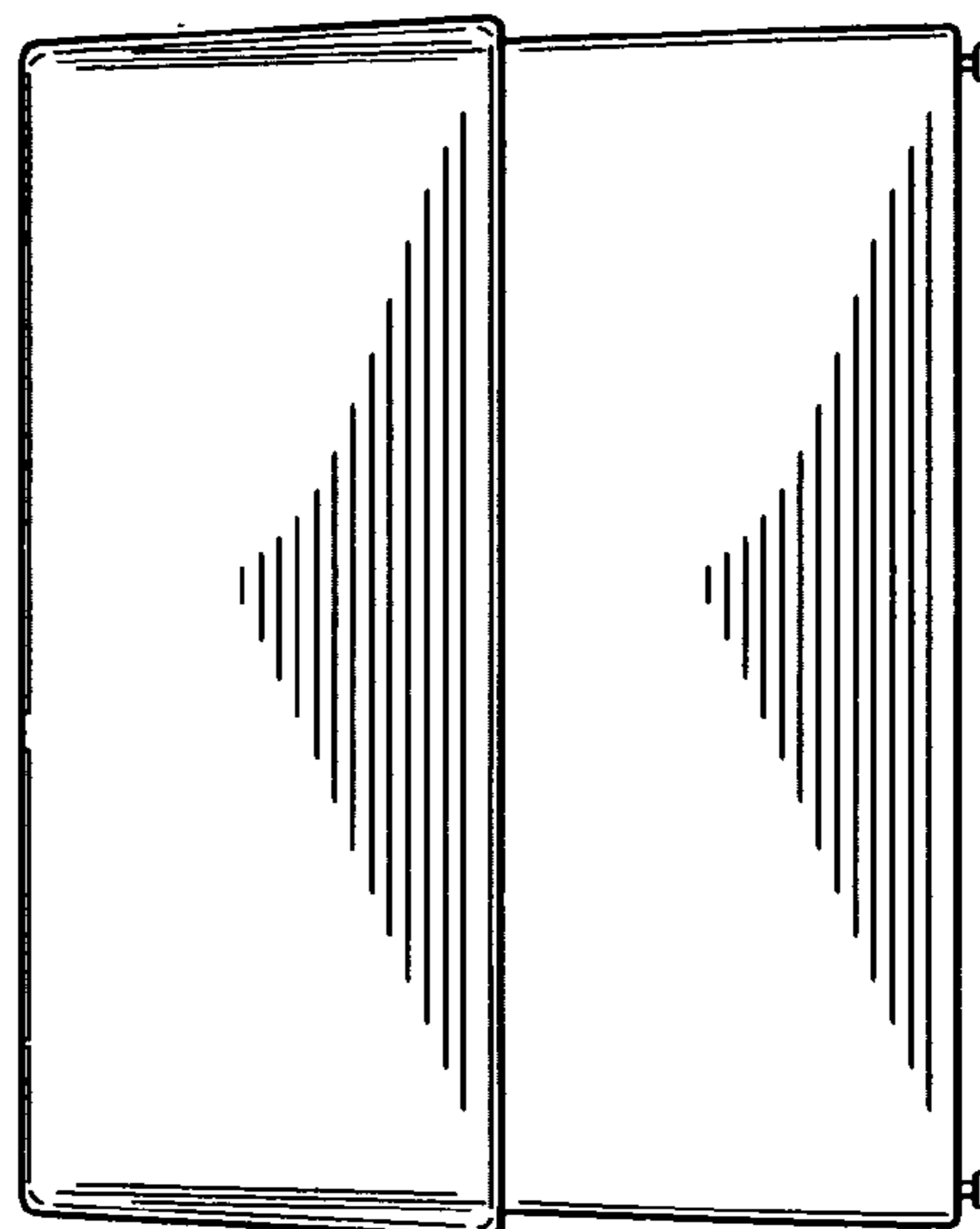


FIG. 3

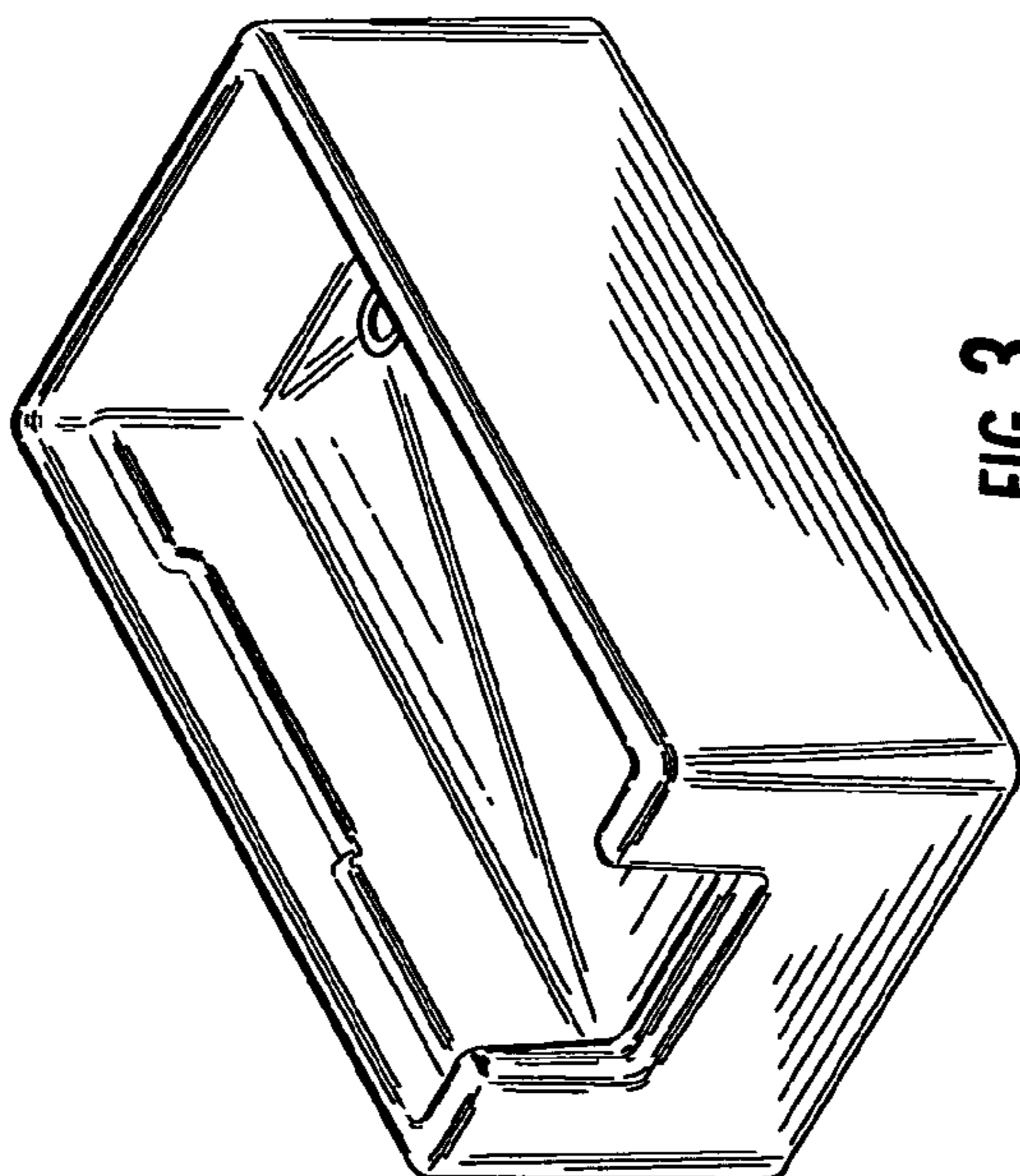


FIG. 5

