



US00D598077S

(12) **United States Design Patent**  
**Gibb et al.**

(10) **Patent No.:** **US D598,077 S**  
(45) **Date of Patent:** **\*\* \*Aug. 11, 2009**

(54) **PIPE COUPLING**

(75) Inventors: **John Gibb**, Beeton (CA); **Douglas R. Dole**, Whitehouse Station, NJ (US); **Michael V. Porter**, Easton, PA (US); **William A. Nagle**, Laureldale, PA (US)

(73) Assignee: **Victaulic Company**, Easton, PA (US)

(\*) Notice: This patent is subject to a terminal disclaimer.

(\*\*) Term: **14 Years**

(21) Appl. No.: **29/296,145**

(22) Filed: **Oct. 15, 2007**

**Related U.S. Application Data**

(62) Division of application No. 29/232,362, filed on Jun. 17, 2005, now Pat. No. Des. 558,307.

(51) **LOC (9) Cl.** ..... **23-01**

(52) **U.S. Cl.** ..... **D23/265**

(58) **Field of Classification Search** ..... D23/262–265;  
285/1, 53, 104–105, 404, 112, 340, 367,  
285/373, 915; 403/300, 291; D8/396; 411/5,  
411/10

See application file for complete search history.

(56) **References Cited**

**U.S. PATENT DOCUMENTS**

1,851,574 A	3/1932	Fiederlein	.....	285/332
1,905,324 A	4/1933	Waters	.....	285/104
1,930,194 A	10/1933	Dillon	.....	285/104
2,020,554 A	11/1935	Johnson	.....	285/383
D142,057 S	8/1945	Baxter	.....	D23/265
D168,928 S	3/1953	English	.....	D23/265
2,650,115 A	8/1953	Hall	.....	285/105
2,752,173 A	6/1956	Krooss	.....	285/129
3,078,108 A	2/1963	Smith	.....	285/104
4,218,080 A	8/1980	Kendrick	.....	285/347
4,408,788 A	10/1983	Beukema	.....	285/419
4,417,755 A	11/1983	Gittleman	.....	285/373
D287,532 S	12/1986	Jones et al.	.....	D23/265
D298,802 S	12/1988	Tekirian	.....	D8/396
4,896,902 A	1/1990	Weston	.....	285/93
4,966,395 A	10/1990	Hendrickson	.....	285/12
5,058,931 A	10/1991	Bowsher	.....	285/112

5,911,446 A	6/1999	McLennan et al.	.....	285/104
6,076,861 A	6/2000	Ikeda	.....	285/112
6,312,025 B1	11/2001	Wolfsdorf	.....	285/369
6,626,466 B1	9/2003	Dole	.....	285/112
7,090,259 B2	8/2006	Dole	.....	285/367
D560,764 S *	1/2008	Gibb et al.	.....	D23/265
D568,451 S *	5/2008	Gibb et al.	.....	D23/262
D568,970 S *	5/2008	Gibb et al.	.....	D23/262
D568,971 S *	5/2008	Gibb et al.	.....	D23/262
D583,916 S *	12/2008	Madara et al.	.....	D23/265
D587,347 S *	2/2009	Madara et al.	.....	D23/265
D587,348 S *	2/2009	Madara et al.	.....	D23/265
D587,349 S *	2/2009	Madara et al.	.....	D23/265
2005/0242585 A1	11/2005	Dole et al.	.....	285/367

**OTHER PUBLICATIONS**

U.S. Appl. No. 29/232,362, filed Jun. 17, 2005, (Gibb et al).  
U.S. Appl. No. 29/232,359, filed Jun. 17, 2005, (Gibb et al).  
Asian Sources Hardwares by Catic Shenzhen Corp. dated Apr. 2005 (2 pages).

\* cited by examiner

*Primary Examiner*—T. Chase Nelson

*Assistant Examiner*—Eric L Goodman

(74) *Attorney, Agent, or Firm*—Ballard Spahr Andrews and Ingersoll, LLP

(57) **CLAIM**

We claim the ornamental design for a pipe coupling, as shown and described.

**DESCRIPTION**

FIG. 1 is a perspective view of an embodiment of our design for a pipe coupling;

FIG. 2 is an end view of the pipe coupling shown in FIG. 1, the opposite end view being identical thereto;

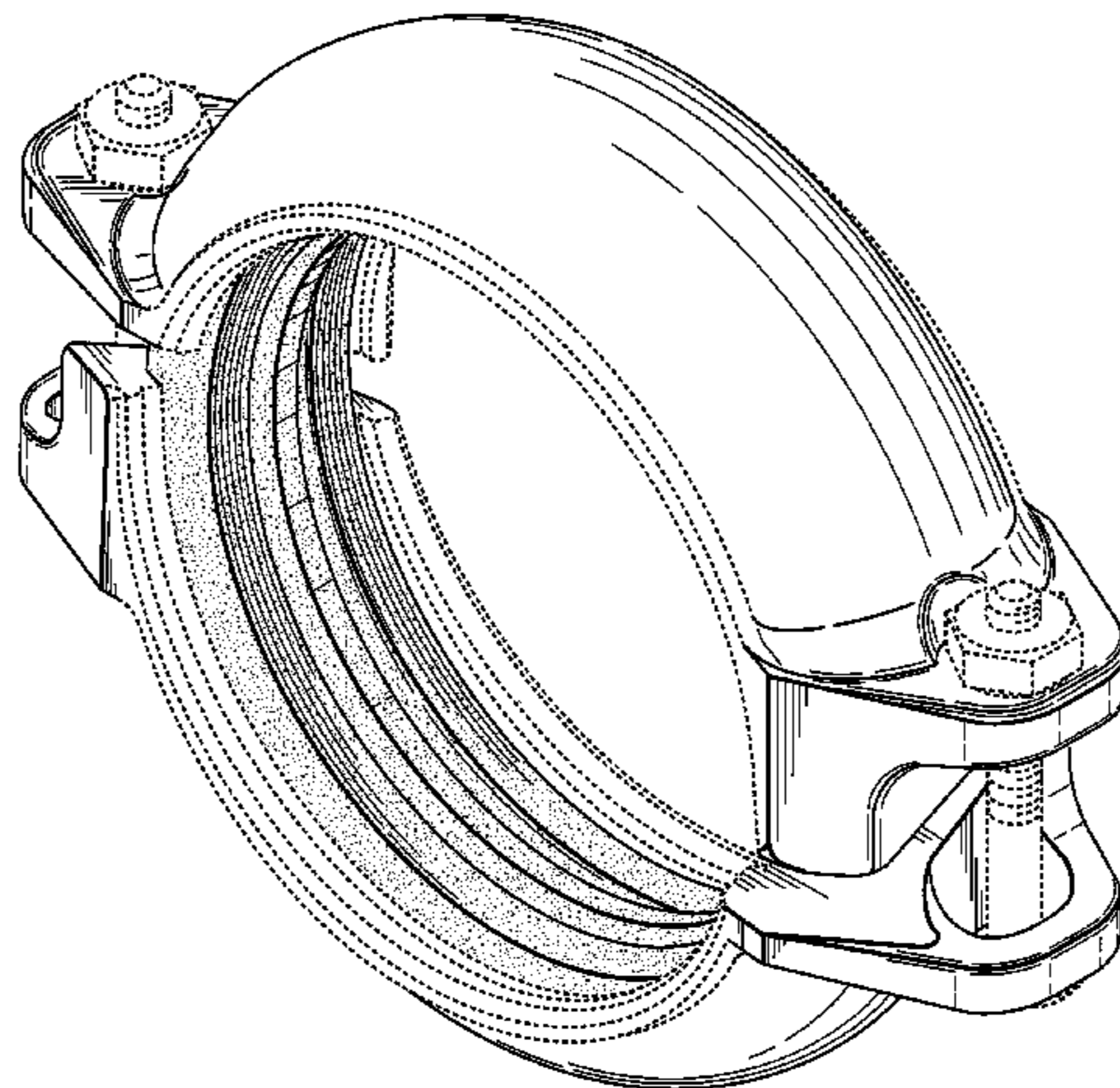
FIG. 3 is a side view of the pipe coupling shown in FIG. 1, the opposite side view being identical thereto;

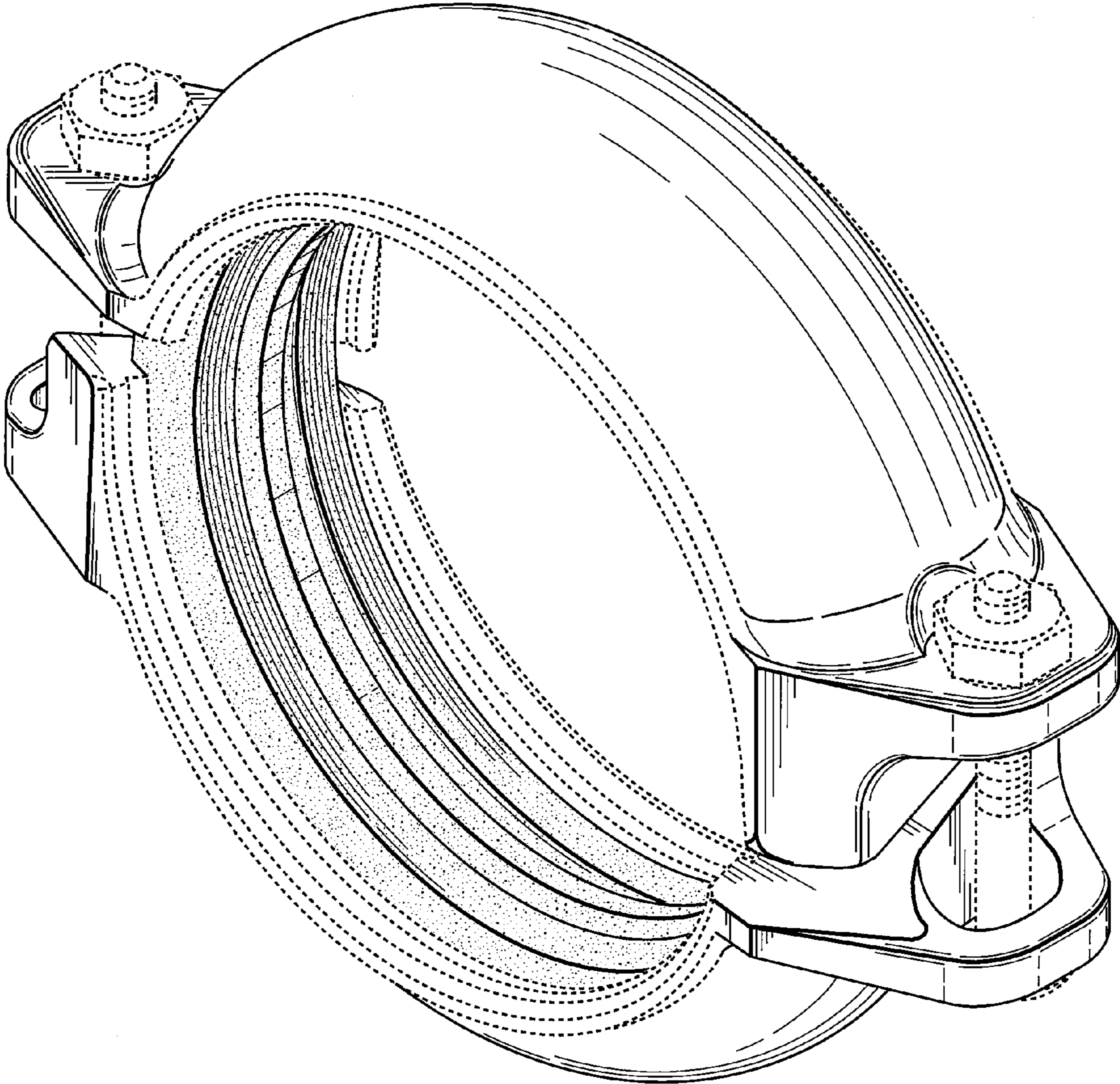
FIG. 4 is a top view of the pipe coupling shown in FIG. 1; and,

FIG. 5 is a bottom view of the pipe coupling shown in FIG. 1.

The broken lines shown in FIGS. 1–5 are shown for illustrative purposes only and form no part of the claimed design.

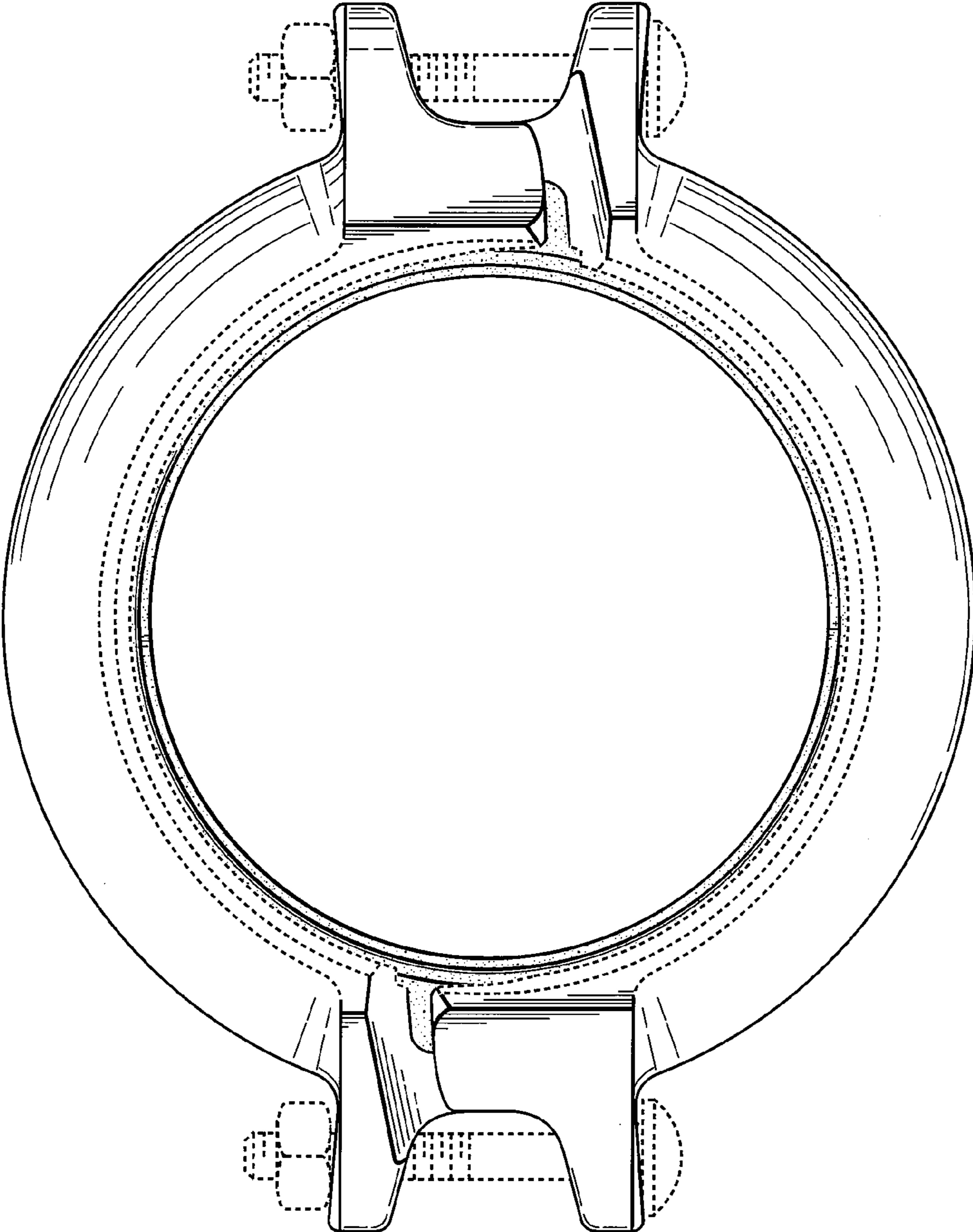
**1 Claim, 3 Drawing Sheets**



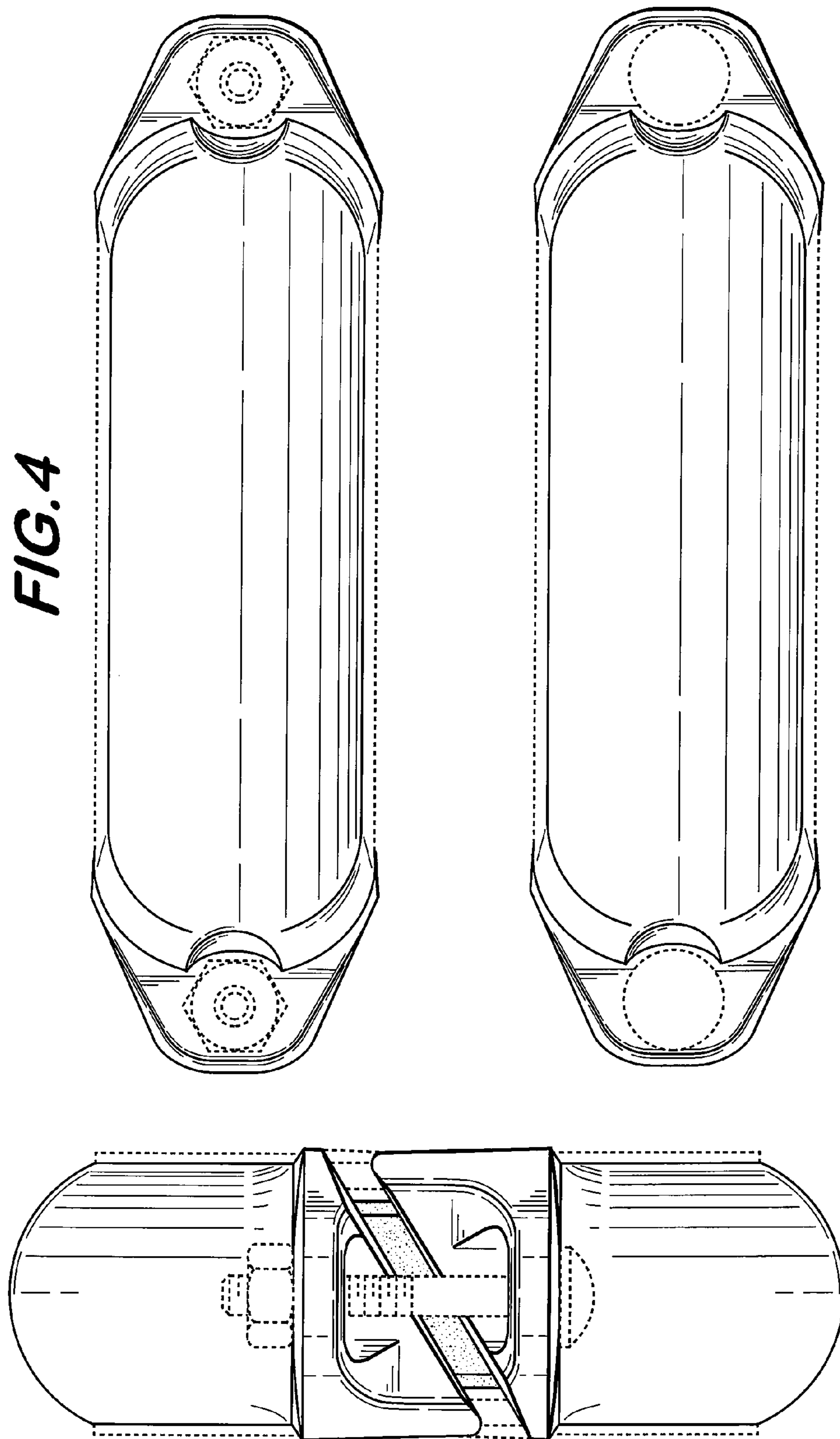


**FIG.1**





**FIG. 2**



**FIG.4**

**FIG.5**

**FIG.3**