



US00D598074S

(12) **United States Design Patent**
Starck

(10) **Patent No.:** **US D598,074 S**

(45) **Date of Patent:** **** Aug. 11, 2009**

(54) **SHOWER CONTROL**

D542,384 S * 5/2007 Starck D23/254

(75) Inventor: **Philippe Starck**, Paris (FR)

(73) Assignee: **Hansgrohe AG**, Schiltach (DE)

(**) Term: **14 Years**

(21) Appl. No.: **29/323,171**

(22) Filed: **Aug. 20, 2008**

(30) **Foreign Application Priority Data**

Feb. 27, 2008 (EM) 000887740

(51) **LOC (9) Cl.** **23-01**

(52) **U.S. Cl.** **D23/254**

(58) **Field of Classification Search** D23/238–243,
D23/250–254, 249, 228, 303–304; 4/675–677;
137/801, 359; 16/110.1, 402; D8/300, 307–310,
D8/350–358; D6/525, 546, 550, 800
See application file for complete search history.

(56) **References Cited**

U.S. PATENT DOCUMENTS

D169,434 S * 4/1953 Arbon D23/252
D233,234 S * 10/1974 Gredell D23/228
D494,254 S * 8/2004 Citterio D23/245

OTHER PUBLICATIONS

Brochure—XS Acqua, 3 pgs., Fratelli Fantini s.p.a., Novara, Italy (at least as early as Aug. 29, 2006).

Brochure—cisal 2006, 3 pgs., Rubinetteria Cisal, S.p.A., Novara, Italy (at least as early as Aug. 29, 2006).

* cited by examiner

Primary Examiner—Robert A Delehanty

(74) *Attorney, Agent, or Firm*—Nirav D. Parikh; Edgar A. Zarins

(57) **CLAIM**

The ornamental design for a shower control, as shown and described.

DESCRIPTION

FIG. 1 is a front perspective view of a shower control showing my design;

FIG. 2 is a front elevational view thereof;

FIG. 3 is a left side elevational view; the right side elevational view being a mirror image thereof;

FIG. 4 is a top plan view thereof; and,

FIG. 5 is a bottom plan view thereof.

1 Claim, 5 Drawing Sheets

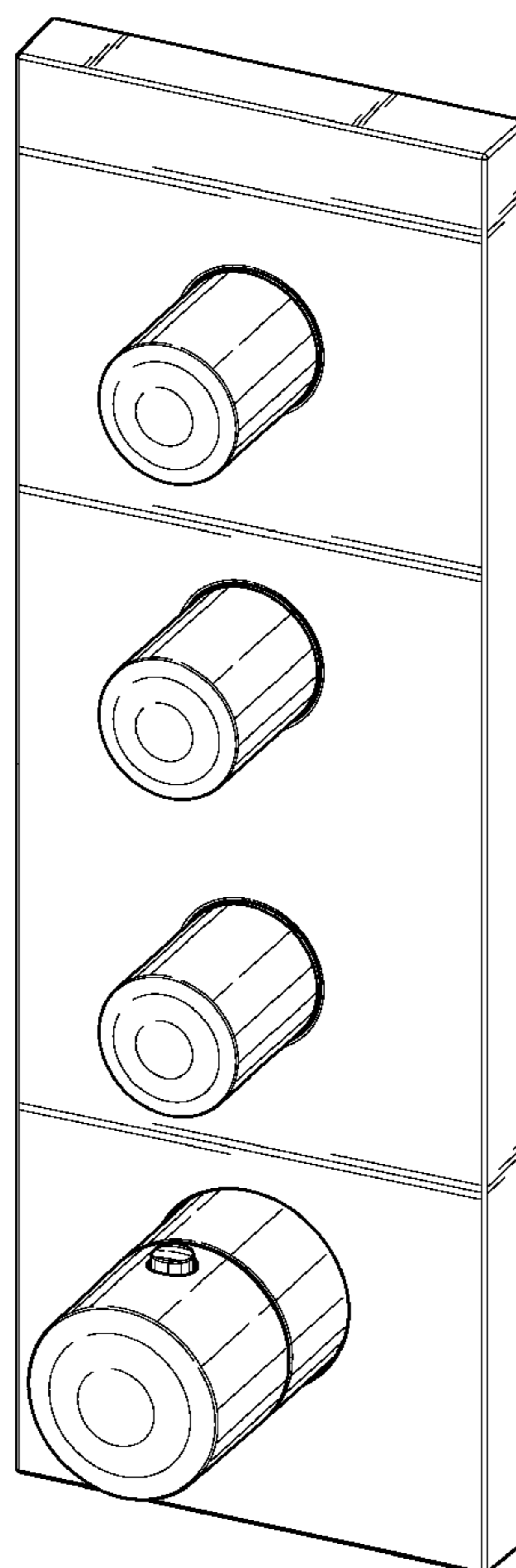


FIG. 1

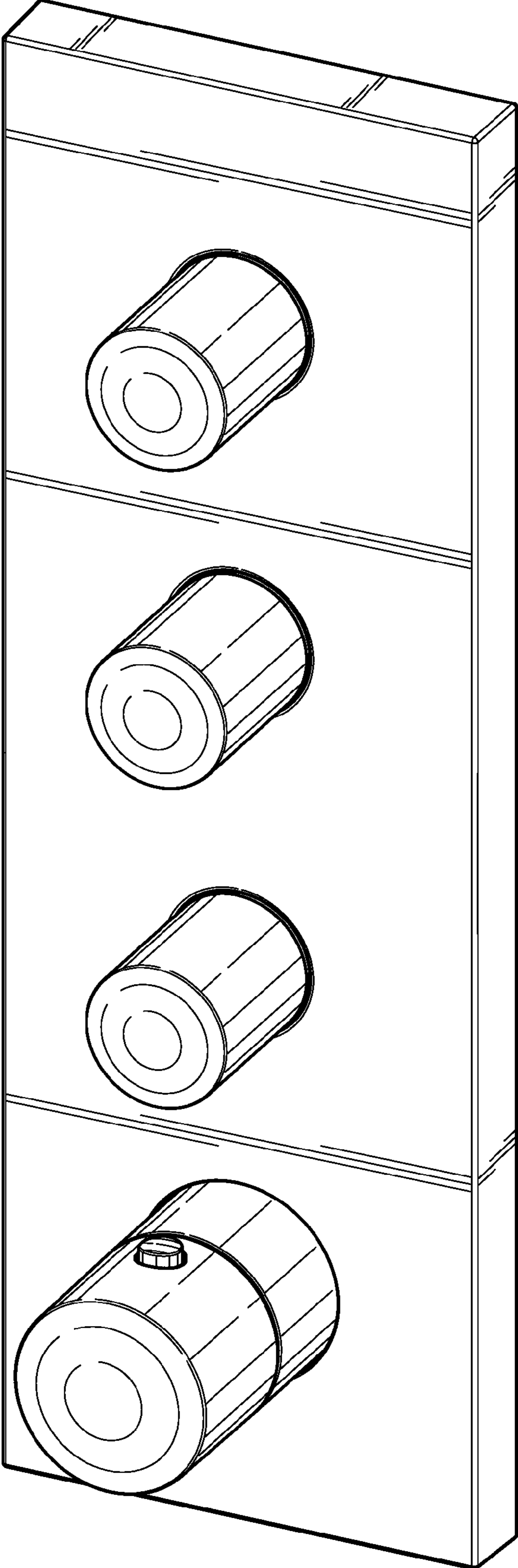


FIG. 2

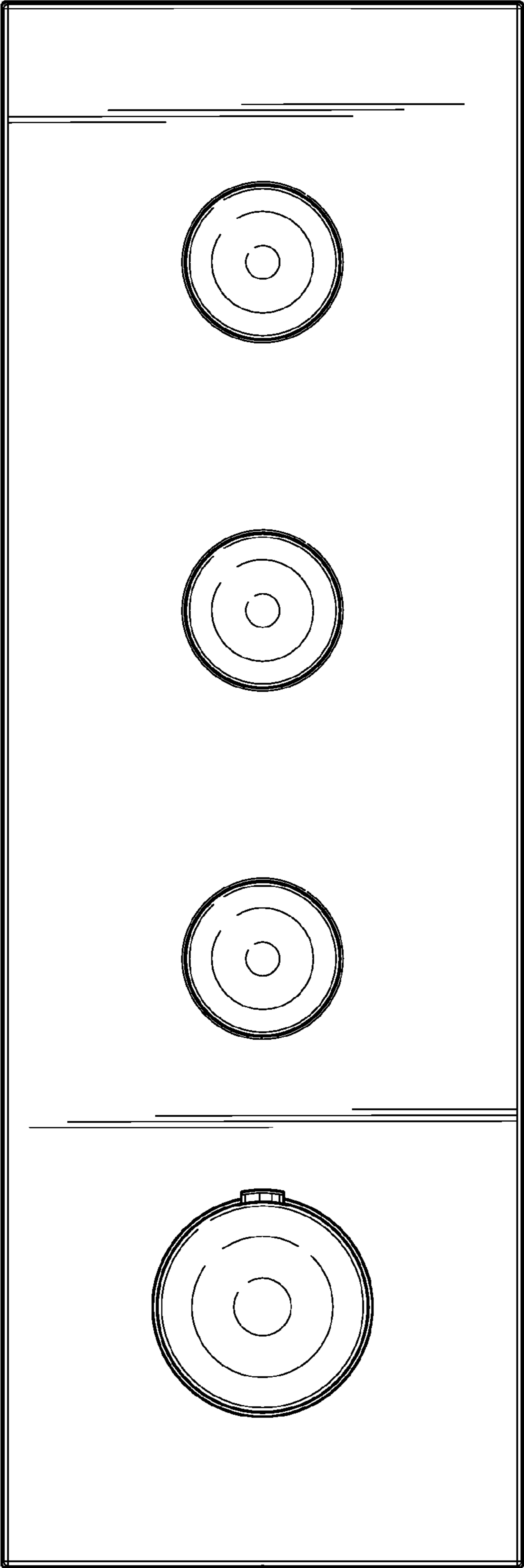
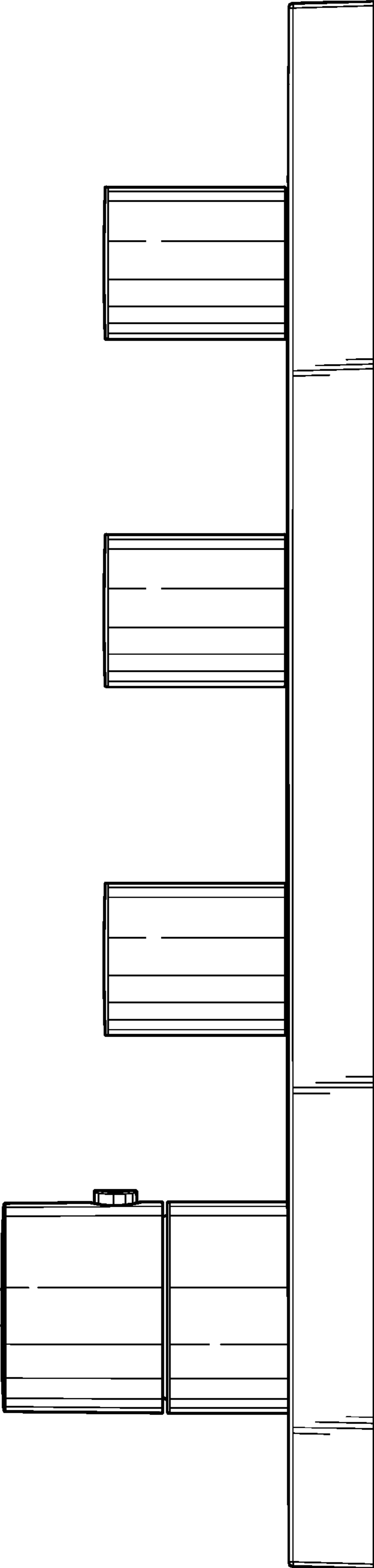


FIG. 3



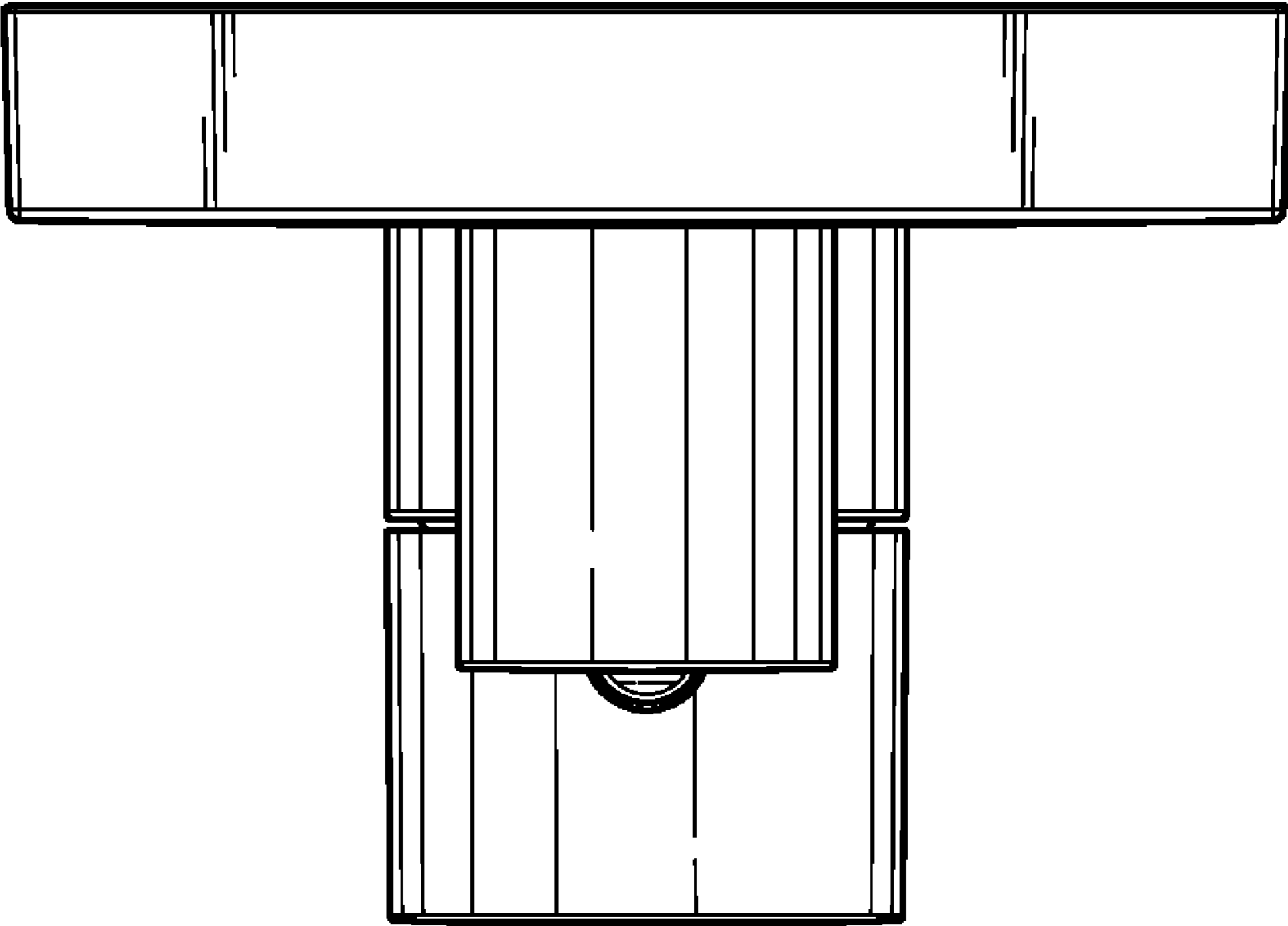


FIG. 4

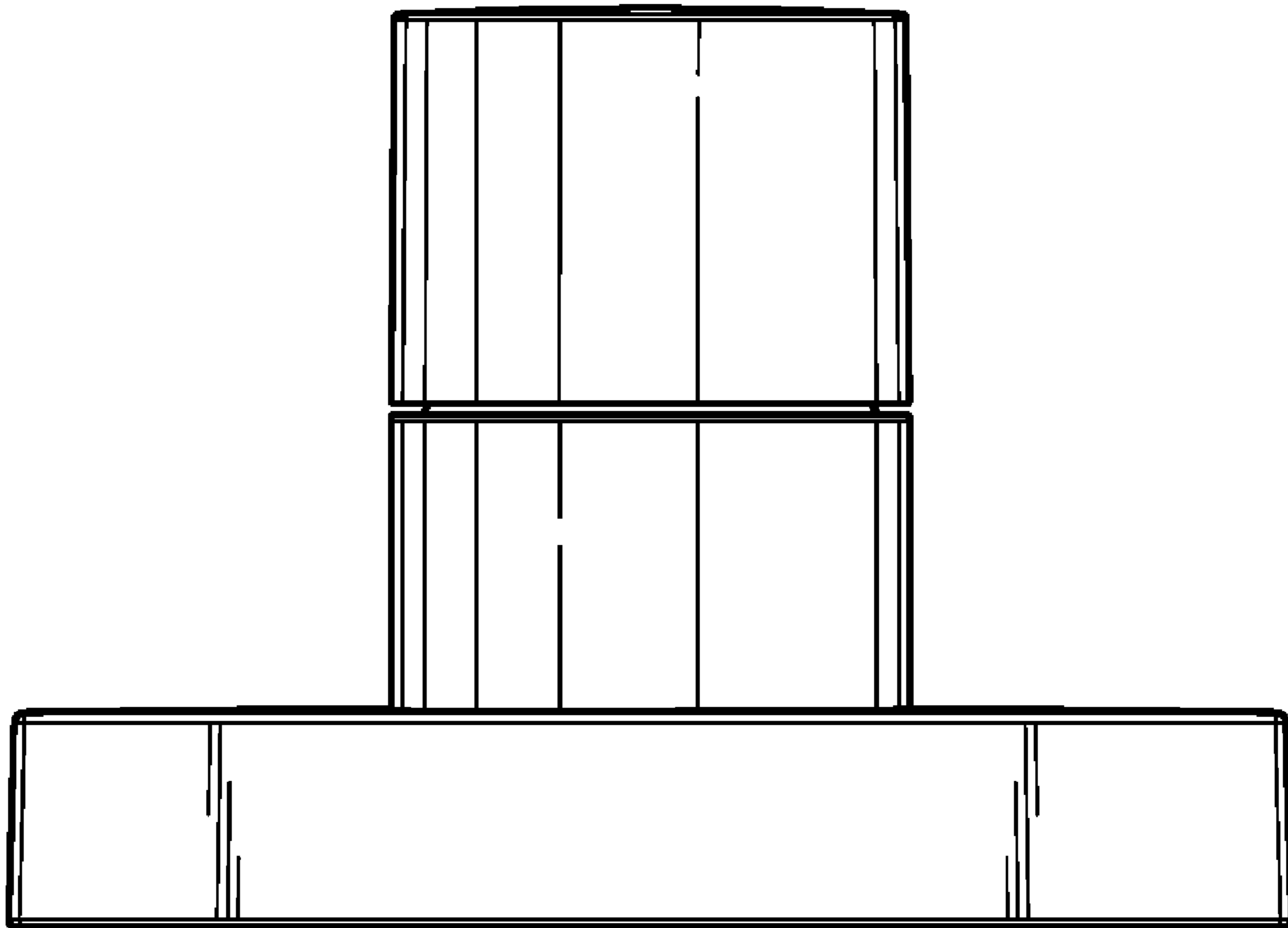


FIG. 5