



US00D598071S

(12) **United States Design Patent**
Lammel et al.

(10) **Patent No.:** **US D598,071 S**
(45) **Date of Patent:** **** Aug. 11, 2009**

(54) **FAUCET**

(75) Inventors: **Michael Lammel**, Aachen (DE);
Michael Zeisel, Aachen (DE)

(73) Assignee: **KWC AG**, Unterkulm (CH)

(**) Term: **14 Years**

(21) Appl. No.: **29/287,595**

(22) Filed: **Aug. 27, 2007**

(30) **Foreign Application Priority Data**

Feb. 27, 2007 (CH) 133697

(51) **LOC (9) Cl.** **23-01**

(52) **U.S. Cl.** **D23/238**

(58) **Field of Classification Search** D23/200,
D23/238-257; 4/675-678; 137/801
See application file for complete search history.

(56) **References Cited**

U.S. PATENT DOCUMENTS

D466,977 S *	12/2002	Cummings	D23/238
D527,074 S	8/2006	Lammel et al.		
D528,188 S	9/2006	Lammel et al.		
D528,636 S *	9/2006	Latoracca	D23/238
D529,991 S *	10/2006	Egli et al.	D23/238
D531,699 S *	11/2006	Haug et al.	D23/238
D540,913 S *	4/2007	Haug et al.	D23/238
D541,381 S *	4/2007	Haug et al.	D23/238
D548,308 S *	8/2007	Hoernig	D23/238
D550,812 S *	9/2007	Haug et al.	D23/238

D555,770 S * 11/2007 Belisle et al. D23/238
D555,771 S * 11/2007 Noth et al. D23/238

* cited by examiner

Primary Examiner—Robert A. Delehanty

Assistant Examiner—Mark Cavanna

(74) *Attorney, Agent, or Firm*—Oblon, Spivak, McClelland,
Maier & Neustadt, P.C.

(57) **CLAIM**

The ornamental design for faucet, as shown and described.

DESCRIPTION

The file of this patent contains at least one drawing/photograph executed in color. Copies of this patent with color drawing(s)/photograph(s) will be provided by the Office upon request and payment of the necessary fee.

FIG. 1 is a top perspective diagonal view, of a faucet, showing our new design;

FIG. 2 is a top plan view thereof;

FIG. 3 is a side elevational view thereof;

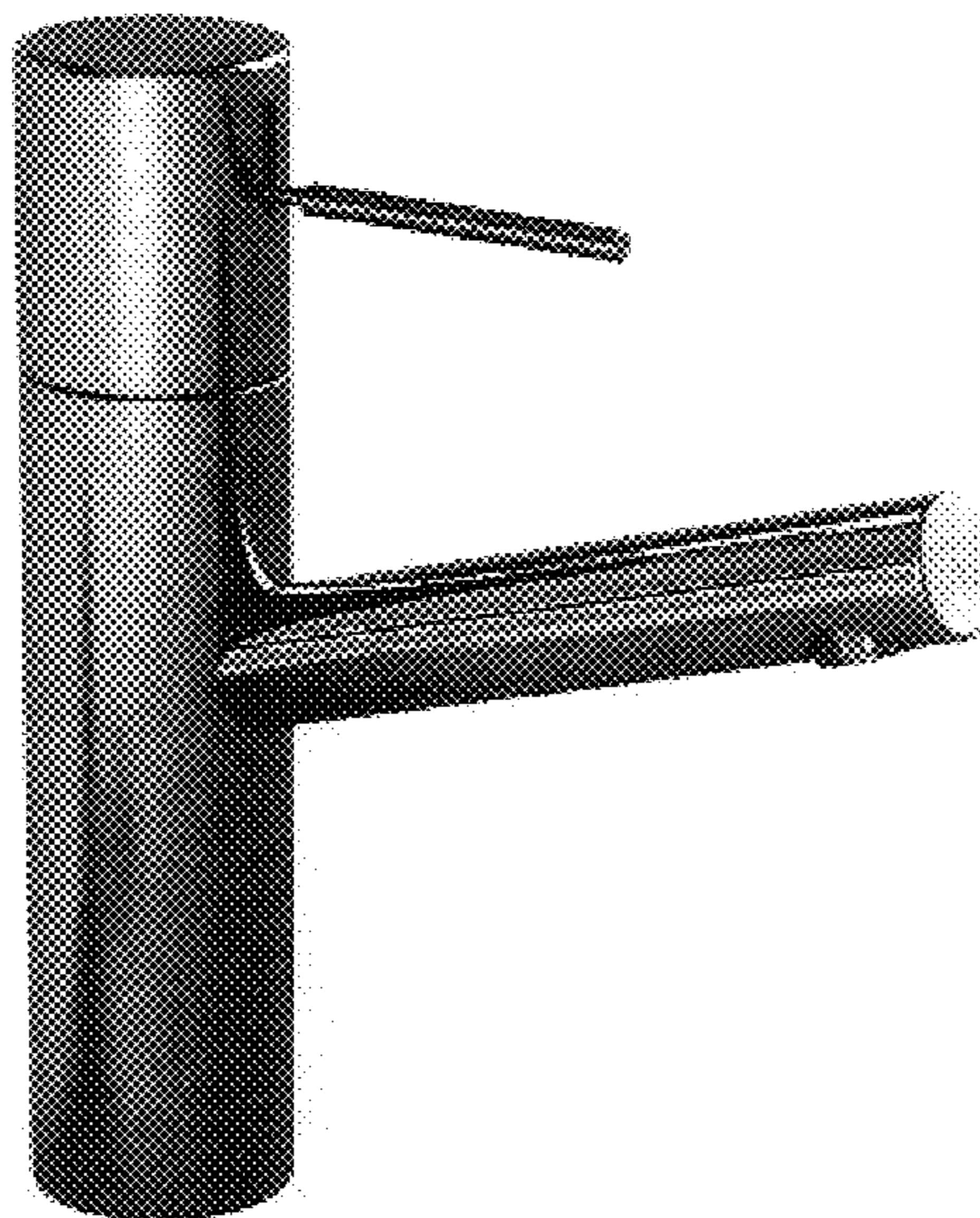
FIG. 4 is a bottom perspective diagonal view thereof;

FIG. 5 is an enlarged view of the actuating lever, with red light to show the water temperature thereof;

FIG. 6 is an enlarged view of the actuating lever, with lilac light to show the water temperature thereof; and,

FIG. 7 is an enlarged view of the actuating lever, with blue light to show the water temperature thereof.

1 Claim, 3 Drawing Sheets
(1 of 3 Drawing Sheet(s) Filed in Color)



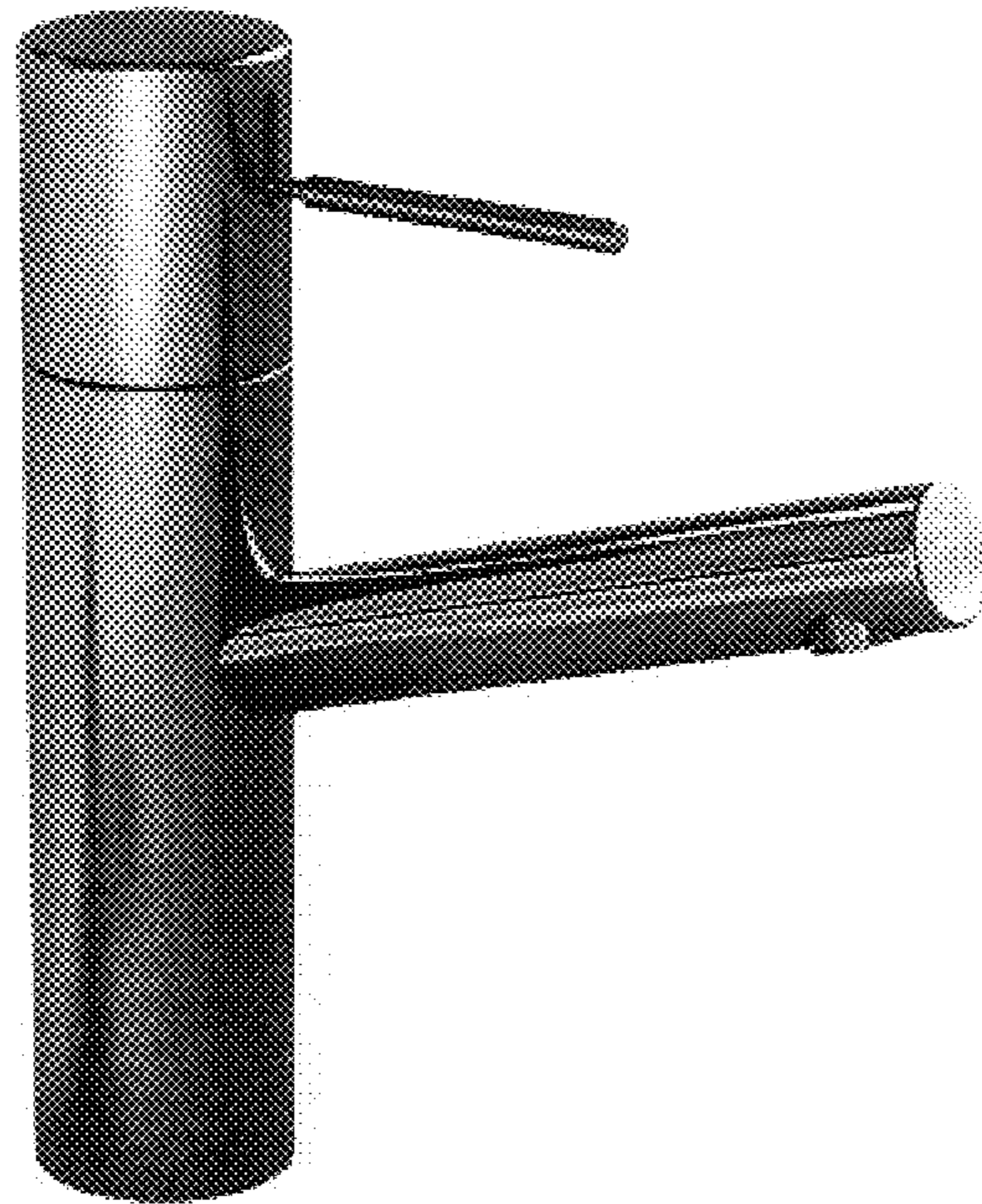


FIG. 1

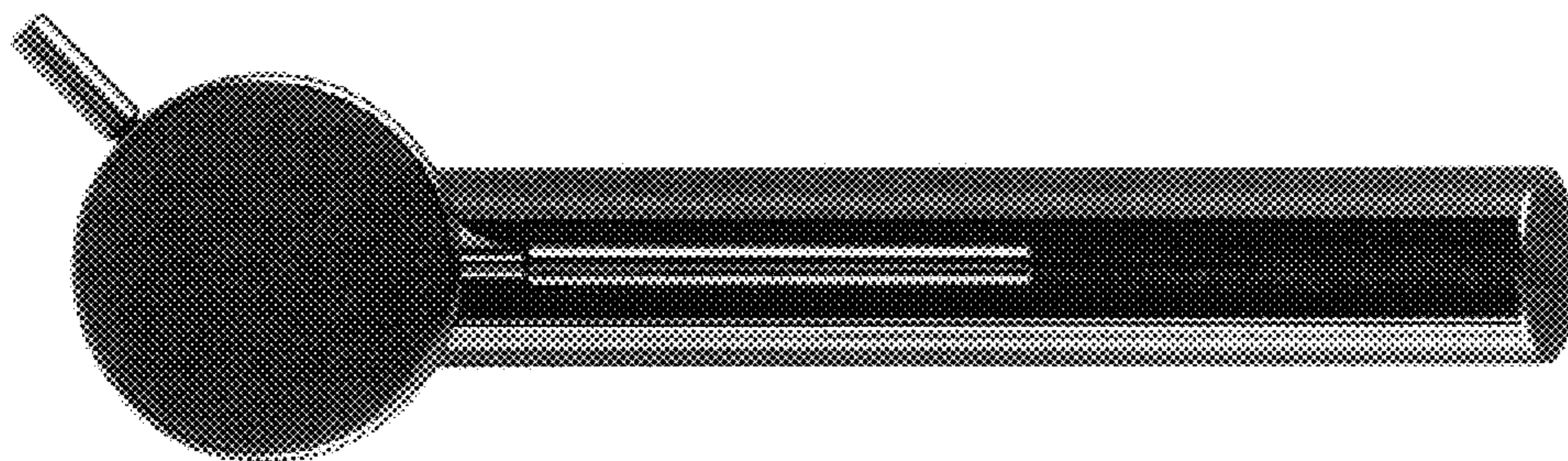


FIG. 2

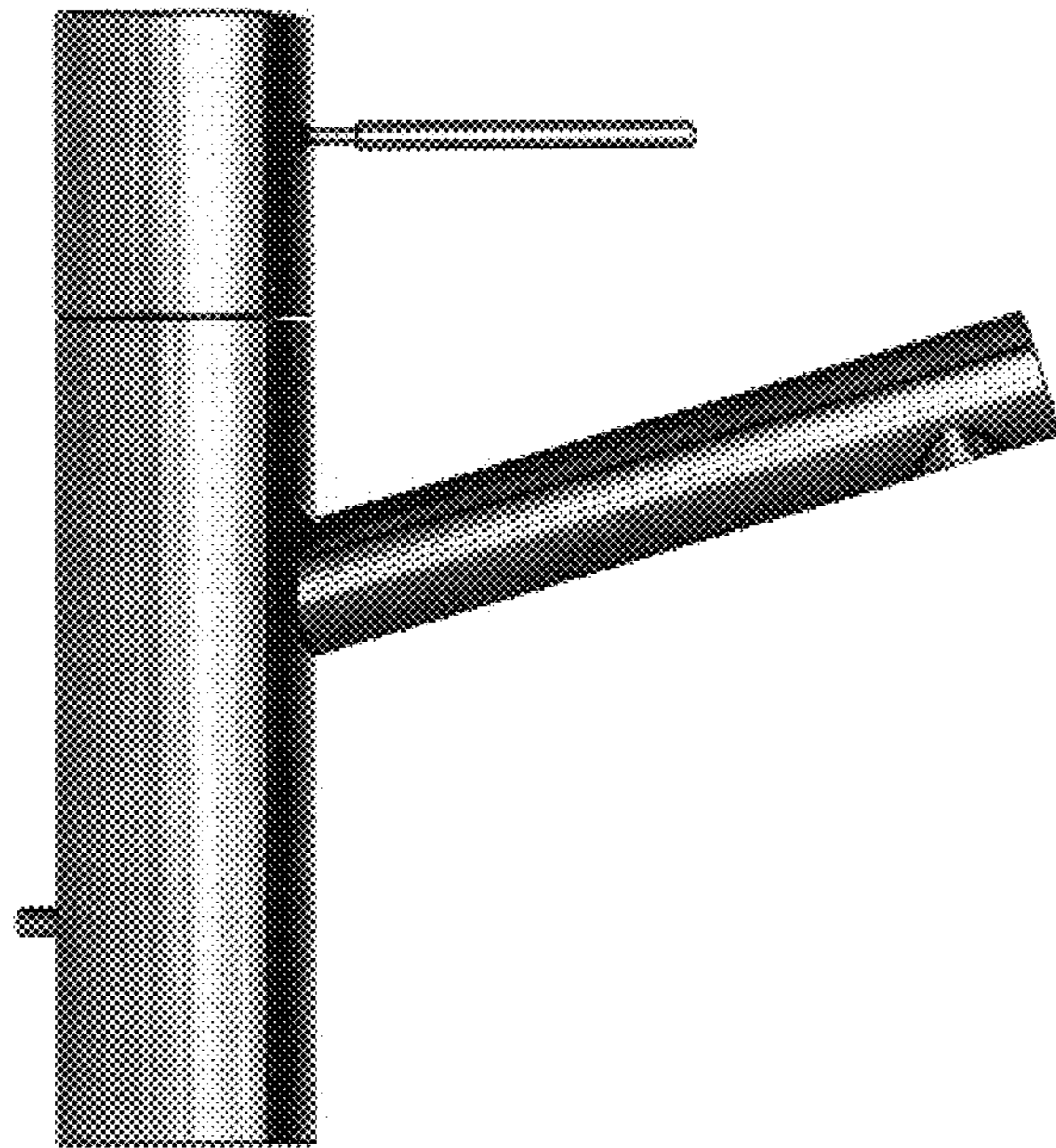


FIG.3

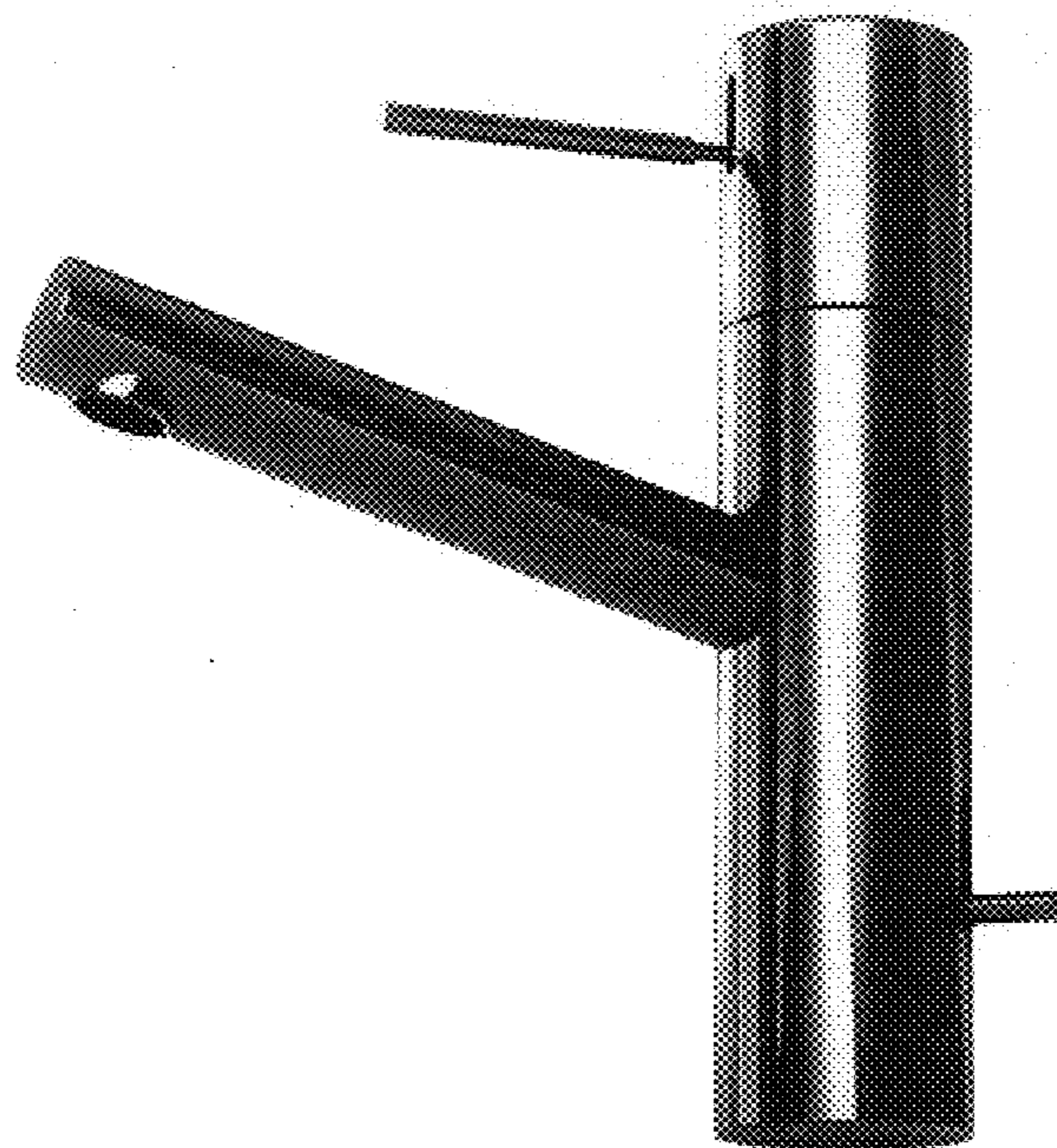


FIG.4

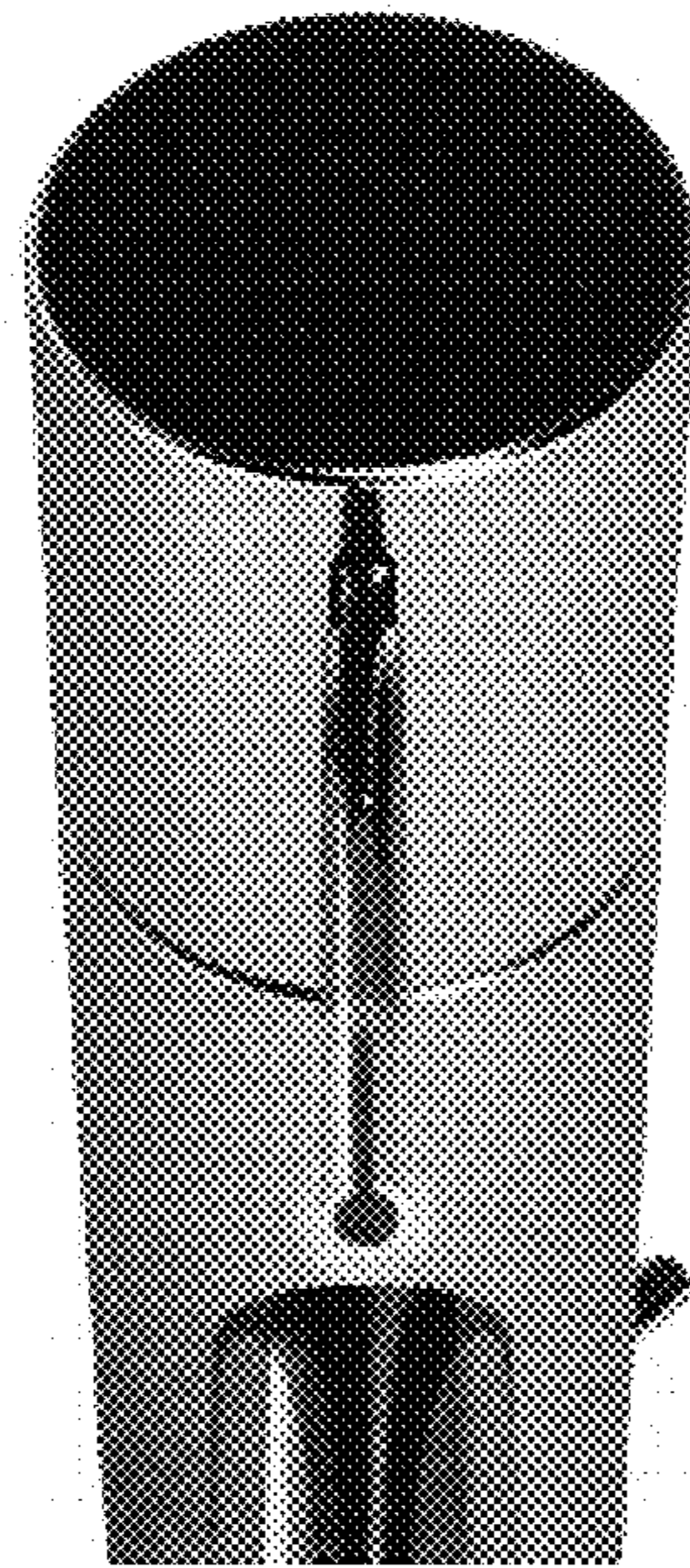


FIG. 6



FIG. 5

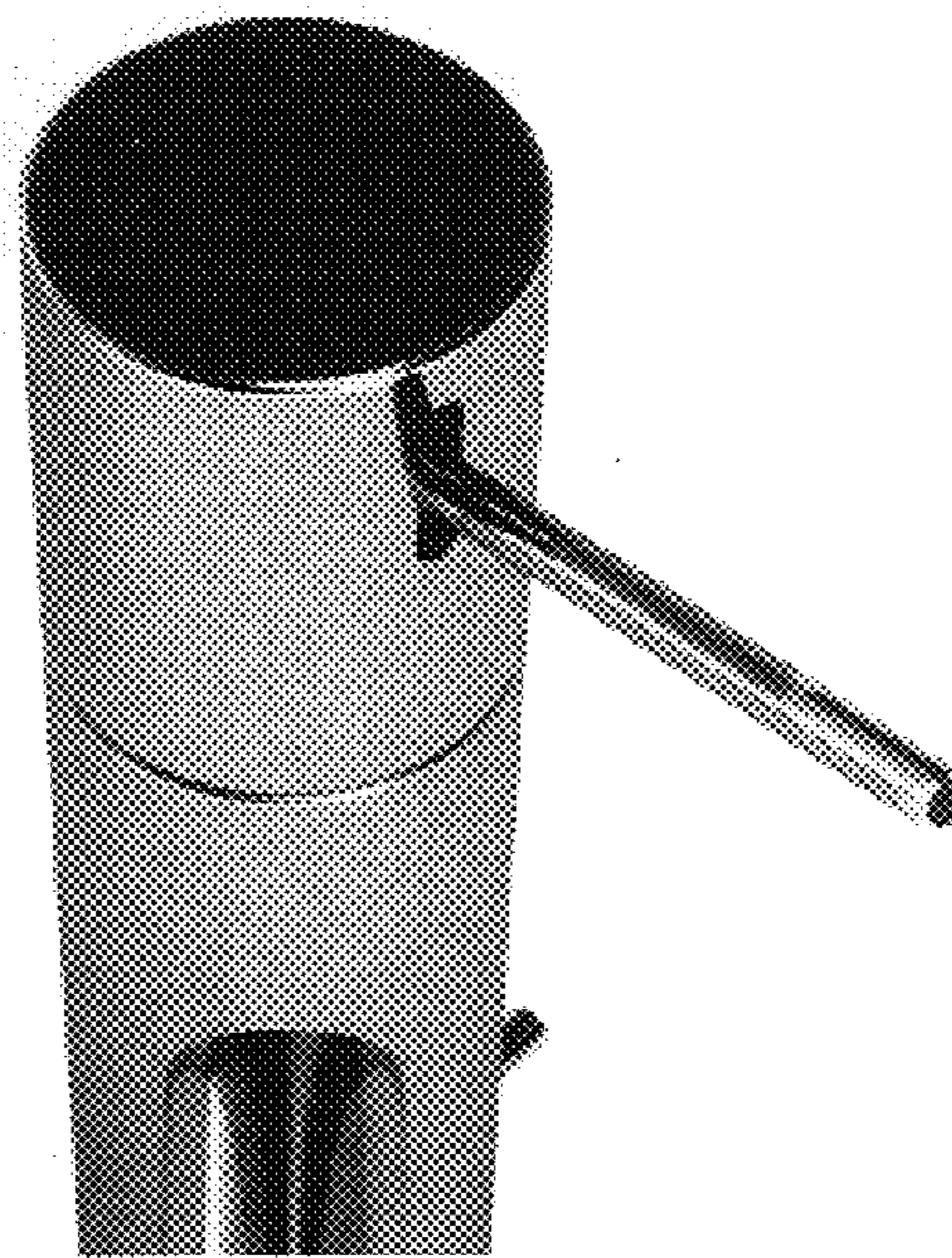


FIG. 7