



US00D598067S

(12) **United States Design Patent**
Siddle et al.

(10) **Patent No.:** **US D598,067 S**

(45) **Date of Patent:** **** *Aug. 11, 2009**

(54) **ERGONOMIC GRIP AND TRIGGER FOR FIRE ARM**

(75) Inventors: **Bruce K. Siddle**, Millstadt, IL (US);
Sidney H. Woodcock, Kirkland, WA (US);
Daniel E. Kenney, Kent, WA (US);
Steven D. Stahle, St. Louis, MO (US)

(73) Assignee: **Double Nickel Holdings, LLC**,
Millstadt, IL (US)

(*) Notice: This patent is subject to a terminal disclaimer.

(**) Term: **14 Years**

(21) Appl. No.: **29/318,214**

(22) Filed: **May 15, 2008**

(51) **LOC (9) Cl.** **22-01**

(52) **U.S. Cl.** **D22/108**

(58) **Field of Classification Search** D22/100,
D22/108, 109, 110, 199; 42/11, 72, 75.02,
42/71.01, 85, 90, 106, 114, 113, 116, 119,
42/124, 125, 127, 145, 128; 248/201, 205.1;
362/110; 33/241; 313/105 R; 89/40.06,
89/37.04, 33.04, 191.01; 124/67, 66, 74;
D21/572, 573

See application file for complete search history.

(56) **References Cited**

U.S. PATENT DOCUMENTS

D221,428 S * 8/1971 Lewis D22/104

D302,289 S * 7/1989 Lambert D22/108
D340,957 S * 11/1993 D'Andrade D21/572
D344,124 S * 2/1994 Cupp D22/108
D351,448 S * 10/1994 Fisher D22/108
5,939,657 A 8/1999 Morgado
D479,571 S * 9/2003 Benini D22/108
D487,298 S * 3/2004 Clare et al. D22/108
D562,931 S * 2/2008 Szabo D22/108
2003/0140546 A1 * 7/2003 Kay 42/133
2007/0180752 A1 * 8/2007 Houde-Walter 42/114
2008/0060247 A1 * 3/2008 Thomele et al. 42/71.02

* cited by examiner

Primary Examiner—T. Chase Nelson

Assistant Examiner—Michael A Pratt

(74) *Attorney, Agent, or Firm*—Thompson Coburn LLP

(57) **CLAIM**

The ornamental design for an ergonomic grip and trigger for a fire arm, as shown and described.

DESCRIPTION

FIG. 1 is a side view of an ergonomic grip and trigger for a fire arm showing our new design;

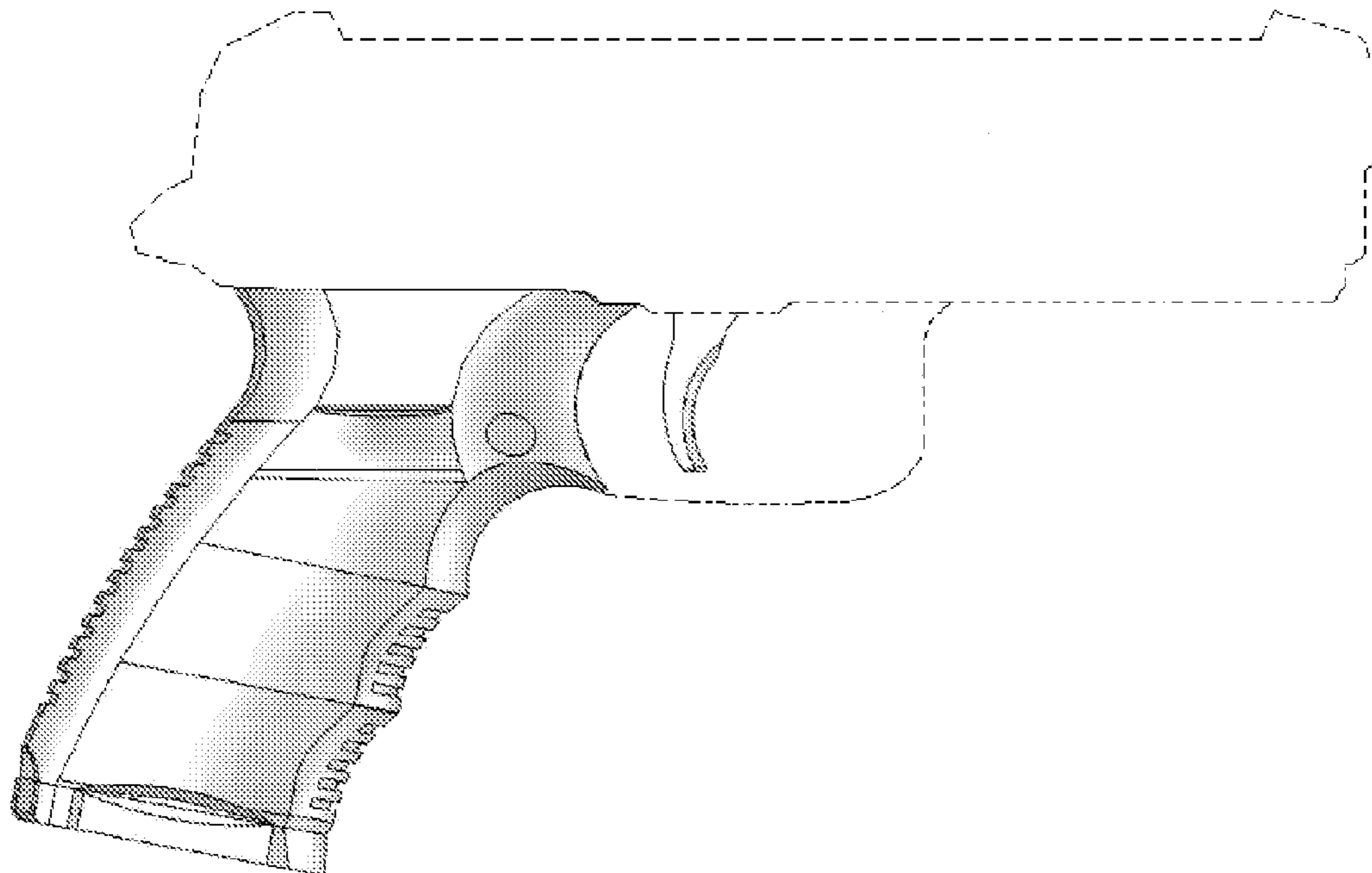
FIG. 2 is a rear view of the ergonomic grip and trigger of FIG. 1;

FIG. 3 is an alternative side view of the ergonomic grip and trigger of FIG. 1; and,

FIG. 4 is a front view of the ergonomic grip and trigger of FIG. 1.

In the drawing figures, the broken lines showing the outline of the firearm represent unclaimed subject matter.

1 Claim, 4 Drawing Sheets



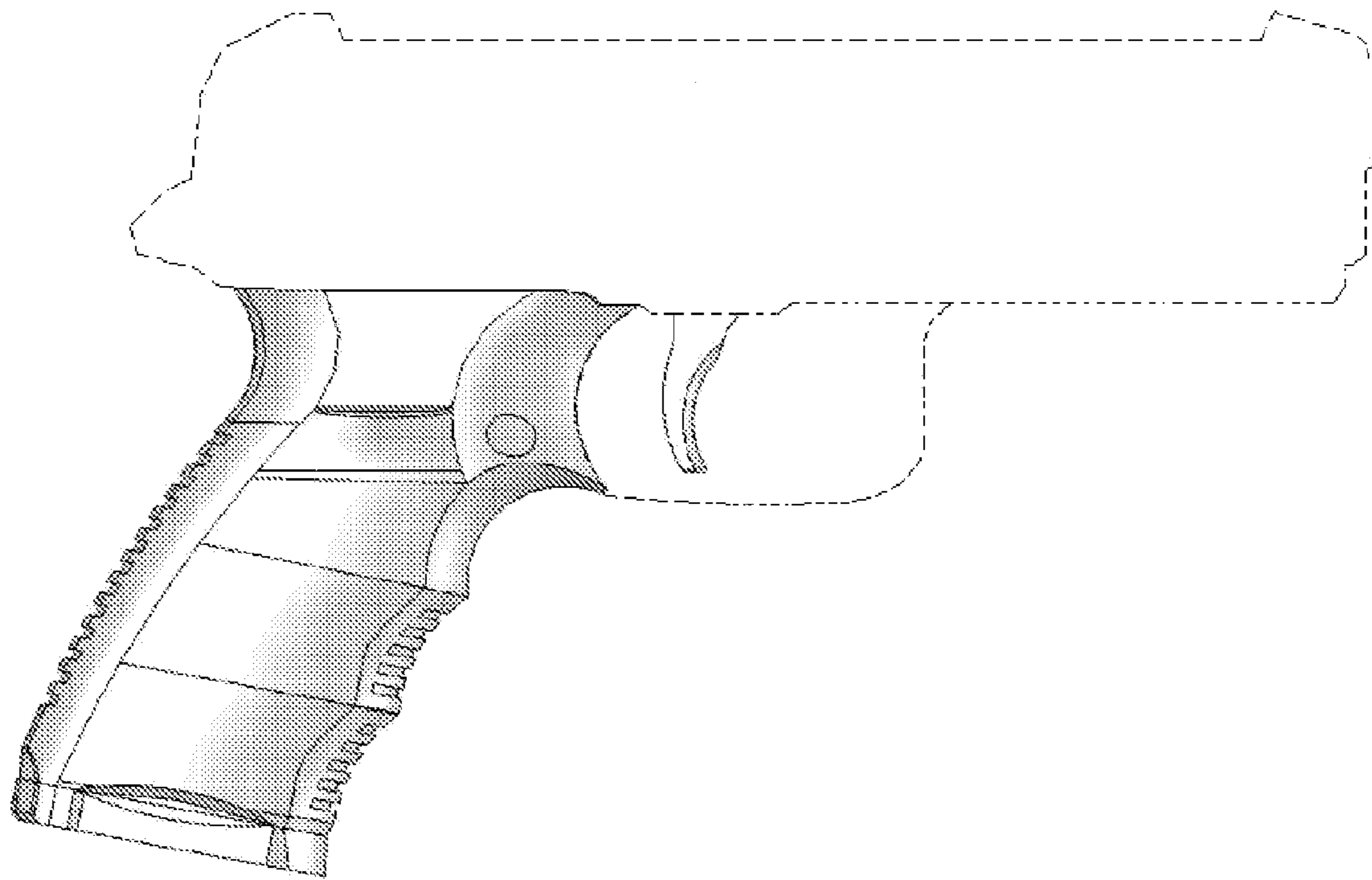


FIG. 1

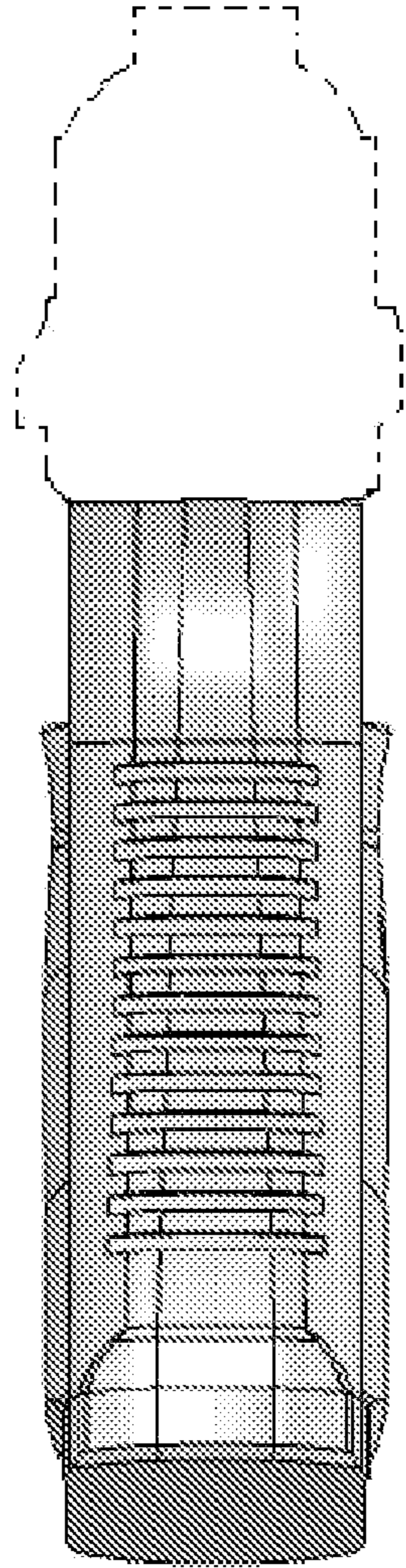


FIG. 2

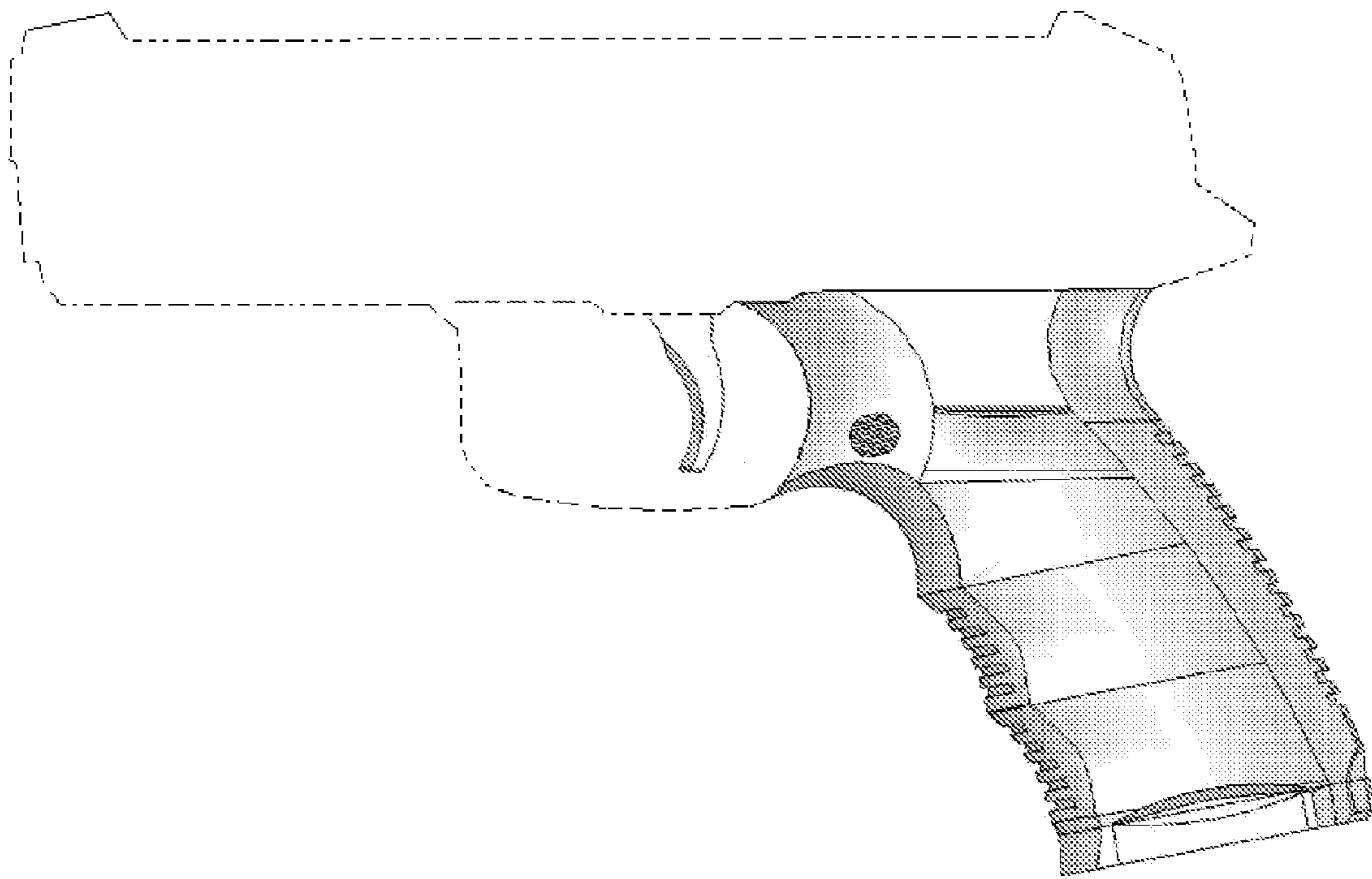


FIG. 3

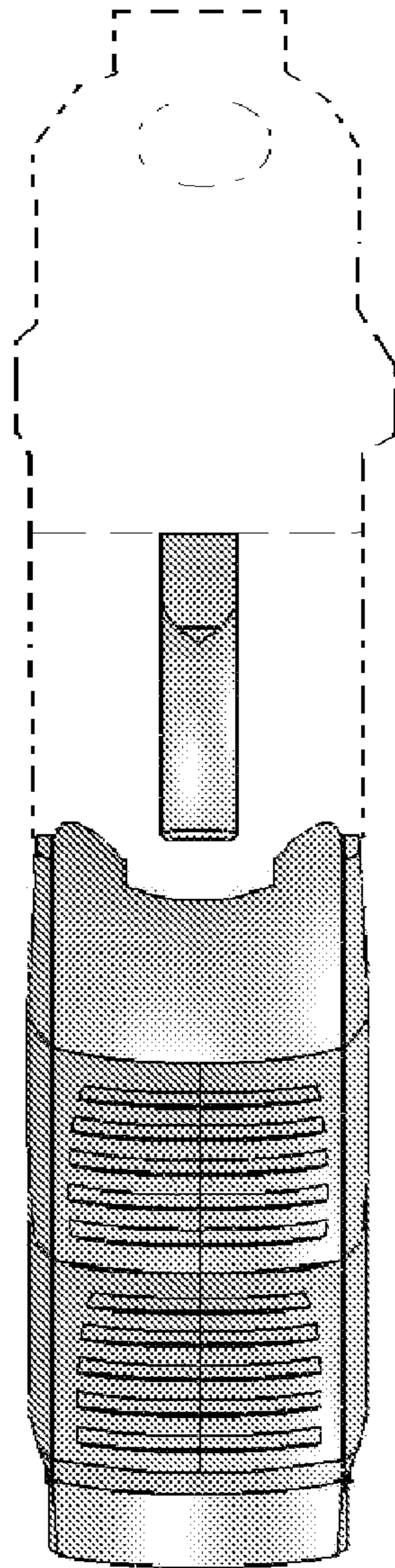


FIG. 4