



US00D598065S

(12) **United States Design Patent**
Vukovic et al.

(10) **Patent No.:** **US D598,065 S**

(45) **Date of Patent:** **** Aug. 11, 2009**

(54) **PISTOL**

(76) Inventors: **Marko Vukovic**, M. Vrhovca 6, 47000
Karlovac (HR); **Ivan Zabcic**, N. S.
Zrinskog 29, 47208 Ozalj (HR)

(**) Term: **14 Years**

(21) Appl. No.: **29/248,989**

(22) Filed: **Sep. 14, 2006**

Related U.S. Application Data

(63) Continuation of application No. 29/214,071, filed on
Sep. 27, 2004, now abandoned.

(30) **Foreign Application Priority Data**

Mar. 25, 2004 (HR) D20040091A

(51) **LOC (9) Cl.** **22-01**

(52) **U.S. Cl.** **D22/104**

(58) **Field of Classification Search** D22/100,
D22/104, 105, 108, 199; D21/567, 573-575;
42/1.06, 7, 50, 53, 69.03, 70.01, 71.02; 89/14.3,
89/145, 163, 195, 196

See application file for complete search history.

(56) **References Cited**

U.S. PATENT DOCUMENTS

4,586,282 A * 5/1986 Sniezak 42/71.02
5,042,185 A * 8/1991 Justice, Sr. 42/70.11
5,229,532 A * 7/1993 Brooks 42/70.11
D359,098 S * 6/1995 Stevens D22/104
5,584,136 A * 12/1996 Boland et al. 42/7

D387,841 S * 12/1997 Hochstrate et al. D22/104
D387,842 S * 12/1997 Kaminski et al. D22/104
5,741,996 A * 4/1998 Ruger et al. 89/196
D430,916 S * 9/2000 Bubits D22/104
D464,702 S * 10/2002 Mauch et al. D22/104
D479,570 S * 9/2003 Scheunert D22/104

* cited by examiner

Primary Examiner—Cathron C Brooks

Assistant Examiner—Melanie Levy

(74) *Attorney, Agent, or Firm*—Woodard, Emhardt, Moriarty,
McNett & Henry LLP

(57) **CLAIM**

The ornamental design for a pistol, as shown and described.

DESCRIPTION

FIG. 1 is a perspective view looking toward the rear of a pistol
incorporating our new design.

FIG. 2 is a right side elevational view of the pistol.

FIG. 3 is a left side elevational view of the pistol.

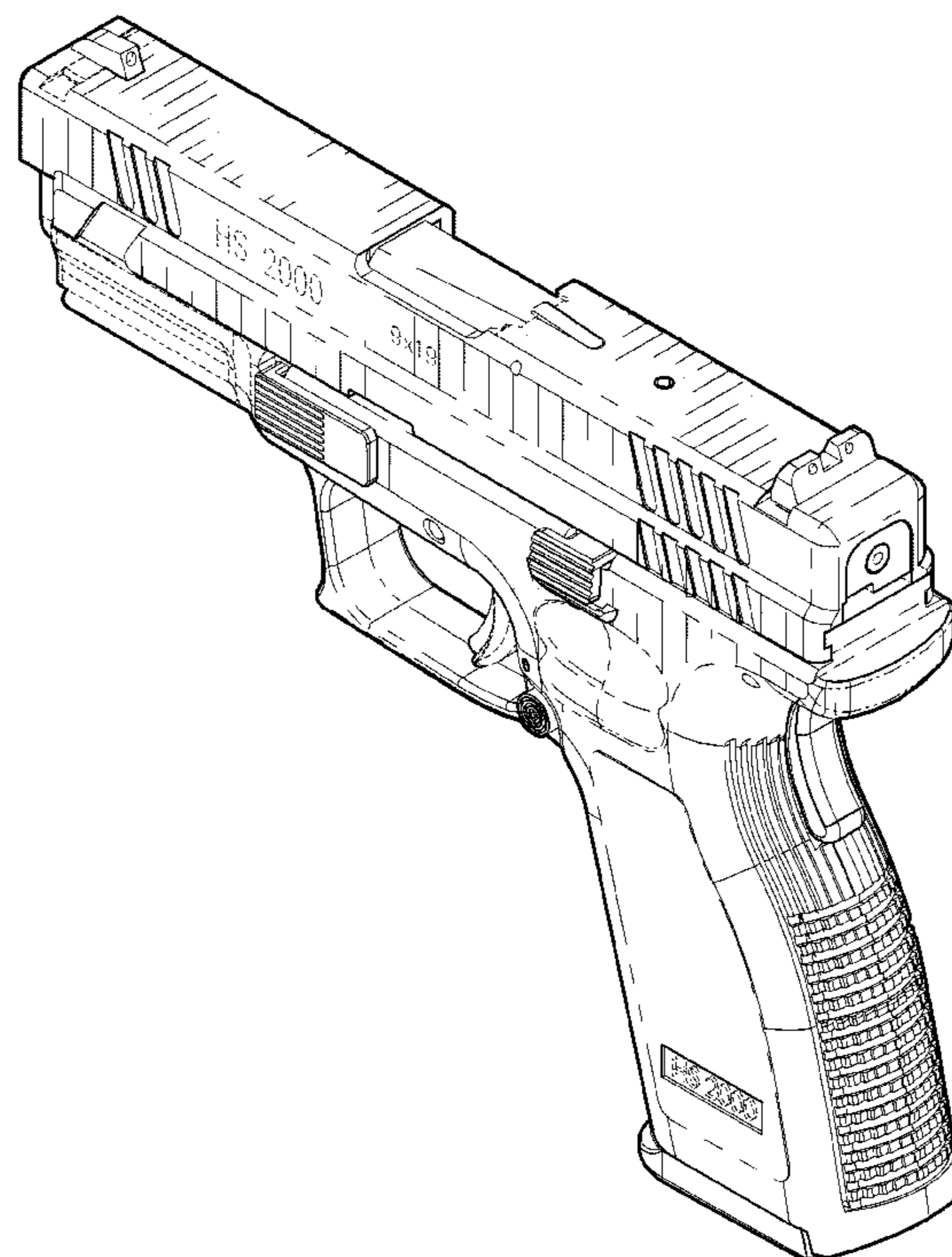
FIG. 4 is a rear elevational view of the pistol; and,

FIG. 5 is a top elevational view of the pistol.

Top and rear views of the pistol are discernible from the
perspective view of FIG. 1 and in FIGS. 4 and 5. Front and
bottom views of the pistol are discernible from the combina-
tion of the right and left side elevational views of FIGS. 2 and
3.

The broken lines shown in the drawings represent unclaimed
portions of the design and form no part thereof.

1 Claim, 5 Drawing Sheets



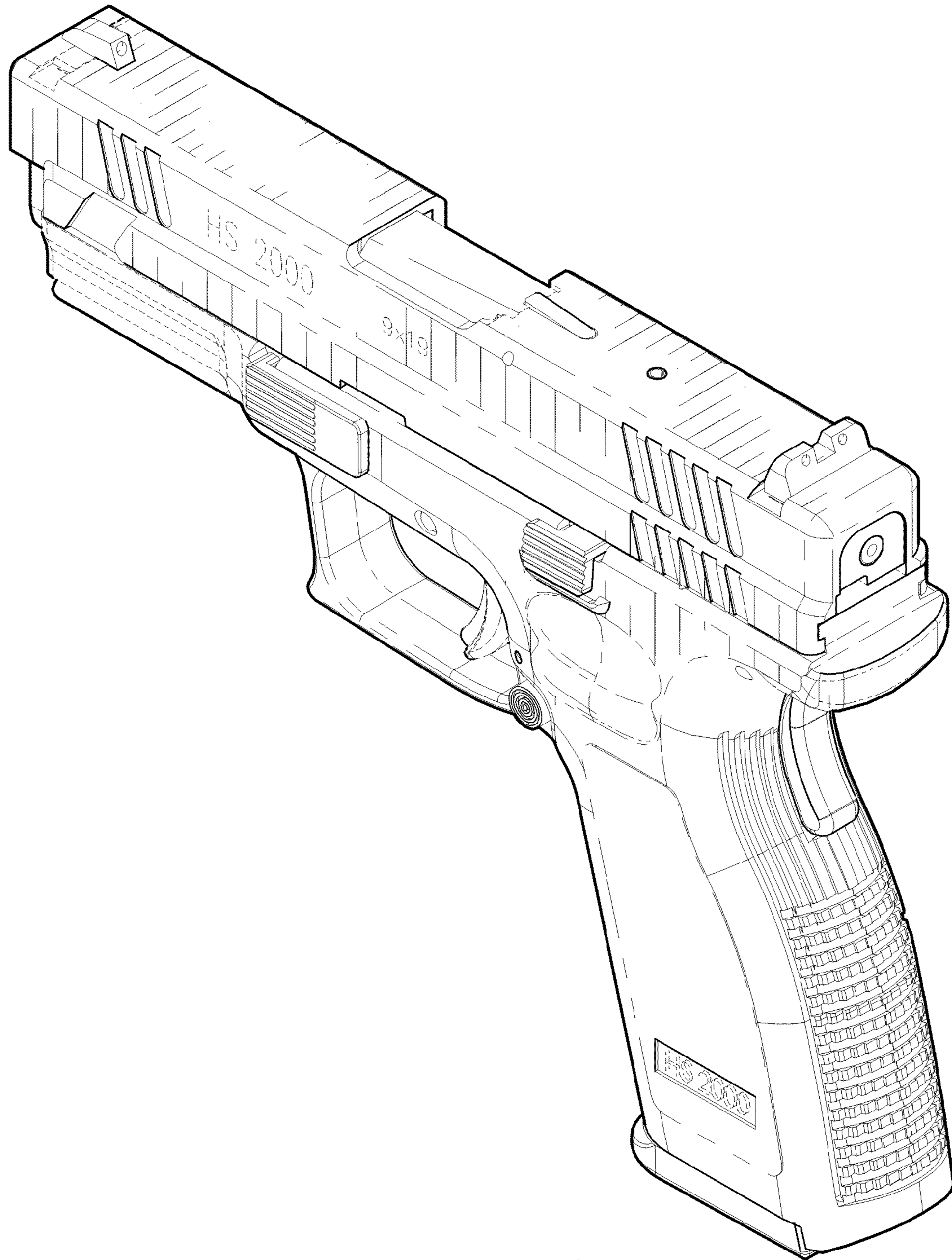


Fig. 1

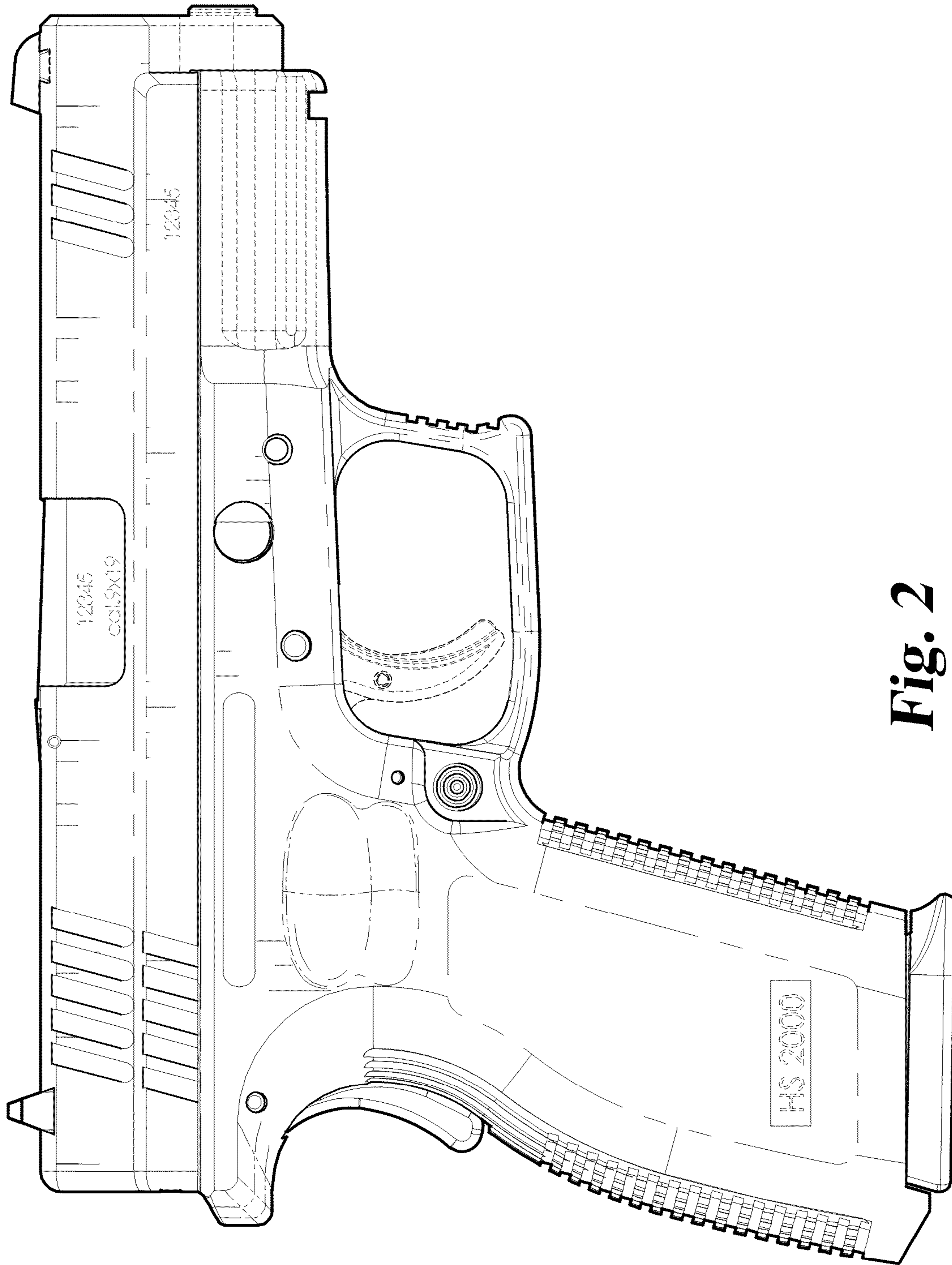


Fig. 2

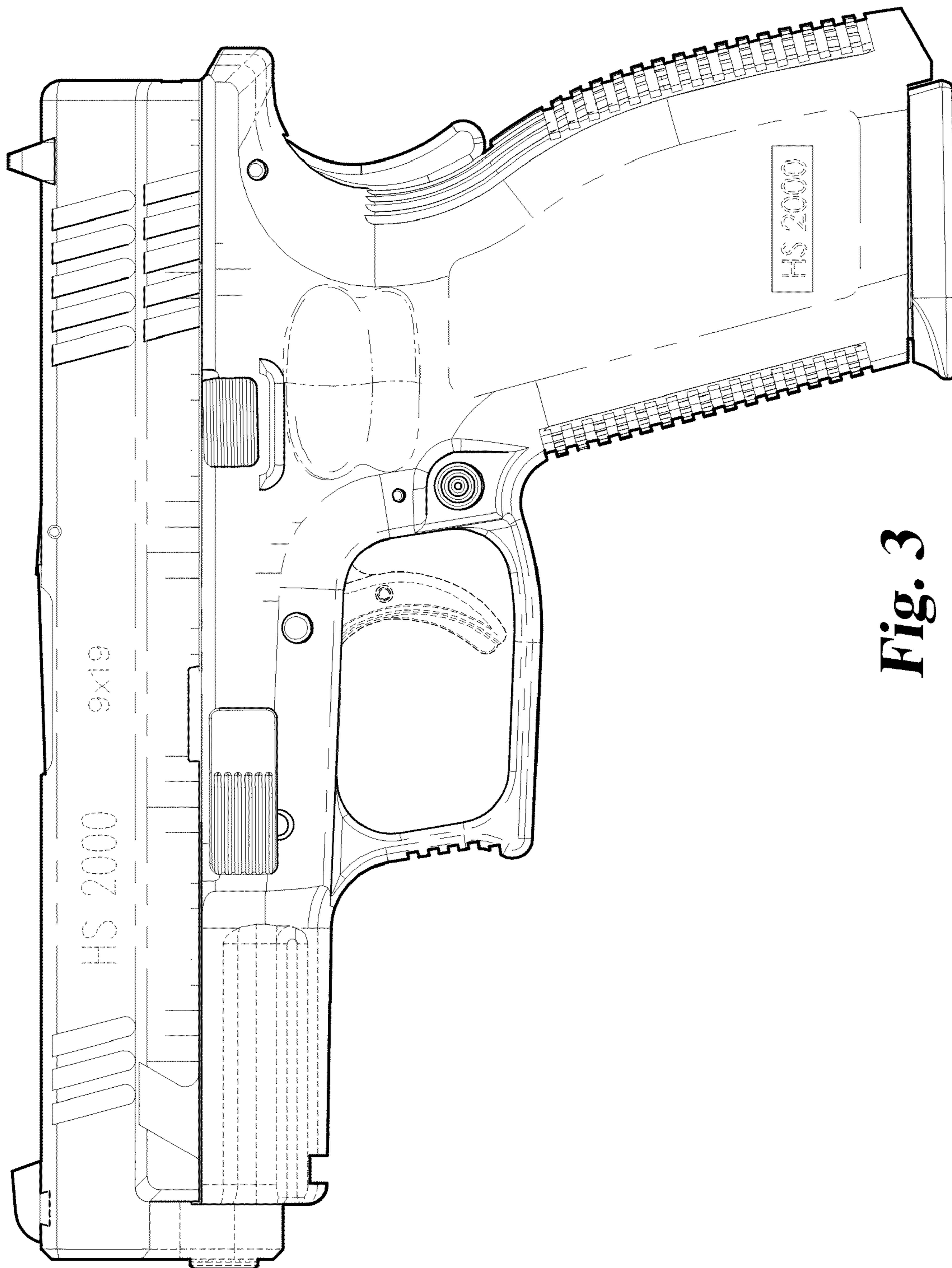


Fig. 3

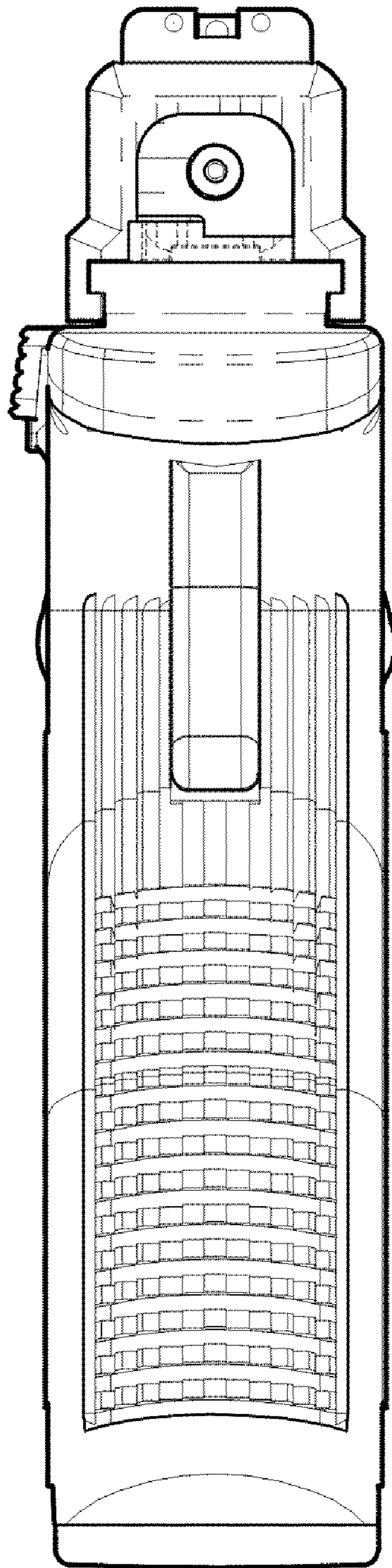


Fig. 4

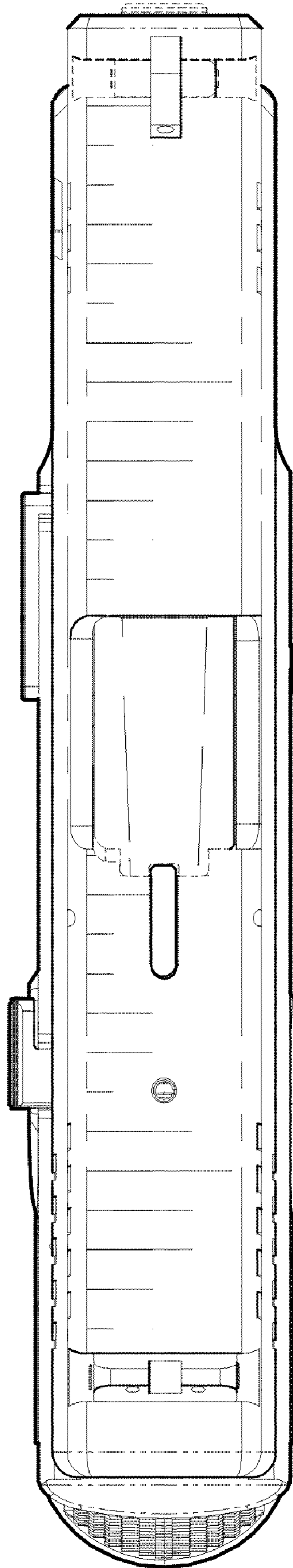


Fig. 5