



US00D598058S

(12) **United States Design Patent**  
**Auberger**

(10) **Patent No.:** **US D598,058 S**

(45) **Date of Patent:** **\*\* Aug. 11, 2009**

(54) **PLAY PARKING GARAGE**

(75) Inventor: **Benoit Auberger**, La Meilleraie Tillay  
(FR)

(73) Assignee: **Wesco S.A.**, Cerizay (FR)

(\*\*) Term: **14 Years**

(21) Appl. No.: **29/321,647**

(22) Filed: **Jul. 21, 2008**

(30) **Foreign Application Priority Data**

Jan. 22, 2008 (EM) ..... 865167-0004

(51) **LOC (9) Cl.** ..... **21-01**

(52) **U.S. Cl.** ..... **D21/509**

(58) **Field of Classification Search** ..... D21/391,  
D21/506-511, 531, 560, 814, 816, 818, 826,  
D21/827; 446/75, 85, 102, 103, 109-111,  
446/115, 444, 476-478, 487

See application file for complete search history.

(56) **References Cited**

**U.S. PATENT DOCUMENTS**

- D208,096 S \* 7/1967 Ostrander ..... D21/509
- 3,593,454 A \* 7/1971 Einfalt ..... 446/423
- D225,166 S \* 11/1972 Spengler ..... D21/509
- 4,068,402 A \* 1/1978 Tanaka ..... 446/476
- 4,254,576 A \* 3/1981 Matsumoto et al. .... 446/444
- D269,360 S \* 6/1983 Ng ..... D21/509

- D294,156 S \* 2/1988 McElhaney ..... D21/511
- D366,290 S \* 1/1996 Dieudonne ..... D21/509
- D394,476 S \* 5/1998 Blumenthal ..... D21/509
- D442,648 S \* 5/2001 Ohkado et al. .... D21/509
- D554,202 S \* 10/2007 Knight et al. .... D21/509
- D555,210 S \* 11/2007 Knight et al. .... D21/509
- D555,211 S \* 11/2007 Knight et al. .... D21/509

\* cited by examiner

*Primary Examiner*—Holly H Baynham

*Assistant Examiner*—Cynthia M Chin

(74) *Attorney, Agent, or Firm*—Westerman, Hattori, Daniels & Adrian, LLP.

(57) **CLAIM**

The ornamental design for a play parking garage, as shown and described.

**DESCRIPTION**

FIG. 1 is a perspective view of the play parking garage showing my new design;

FIG. 2 is a right side view thereof;

FIG. 3 is a bottom view thereof;

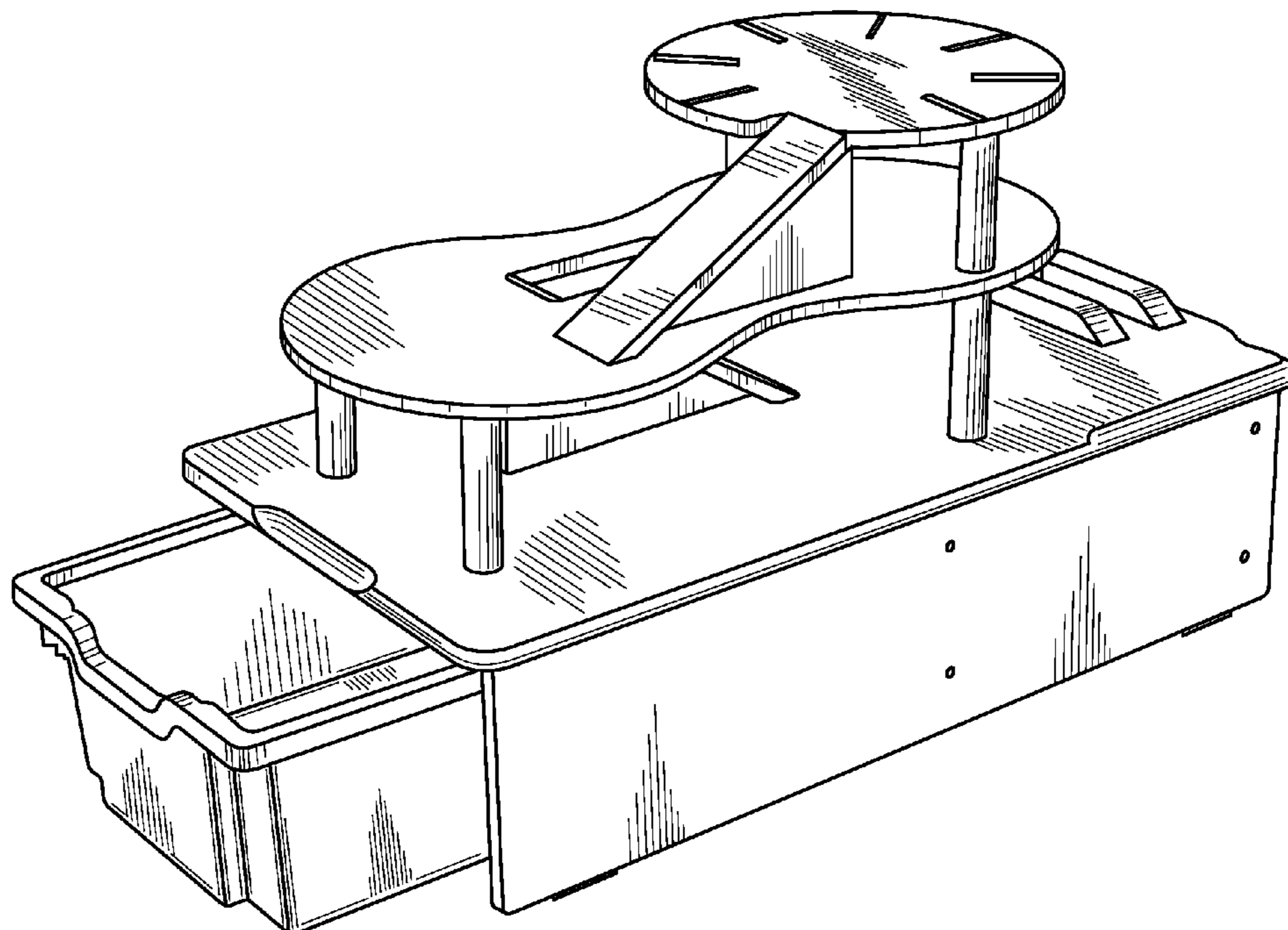
FIG. 4 is a left side view thereof;

FIG. 5 is a top view thereof;

FIG. 6 is a back view thereof; and,

FIG. 7 is a front view thereof.

**1 Claim, 7 Drawing Sheets**



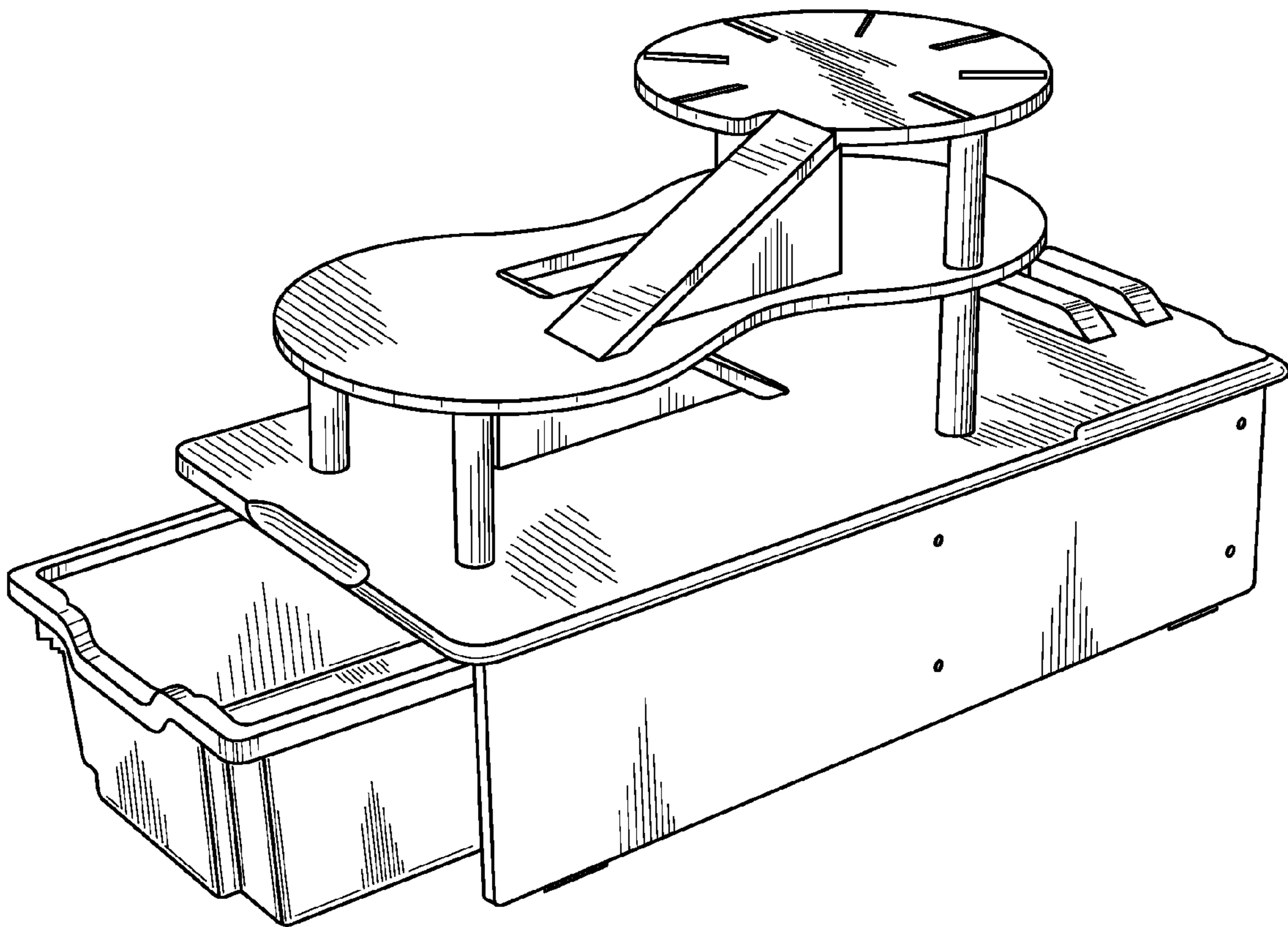


FIG.1

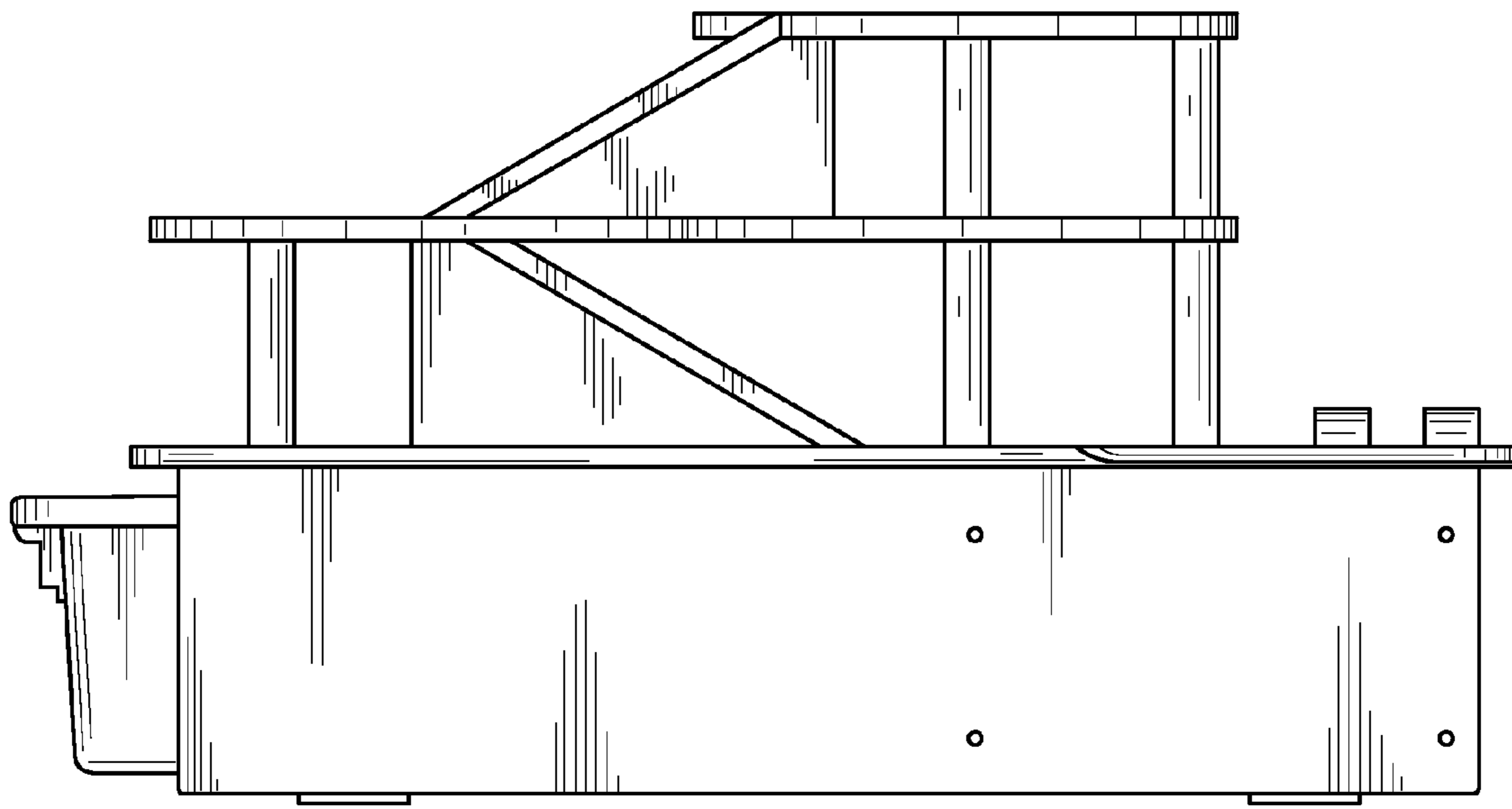


FIG.2

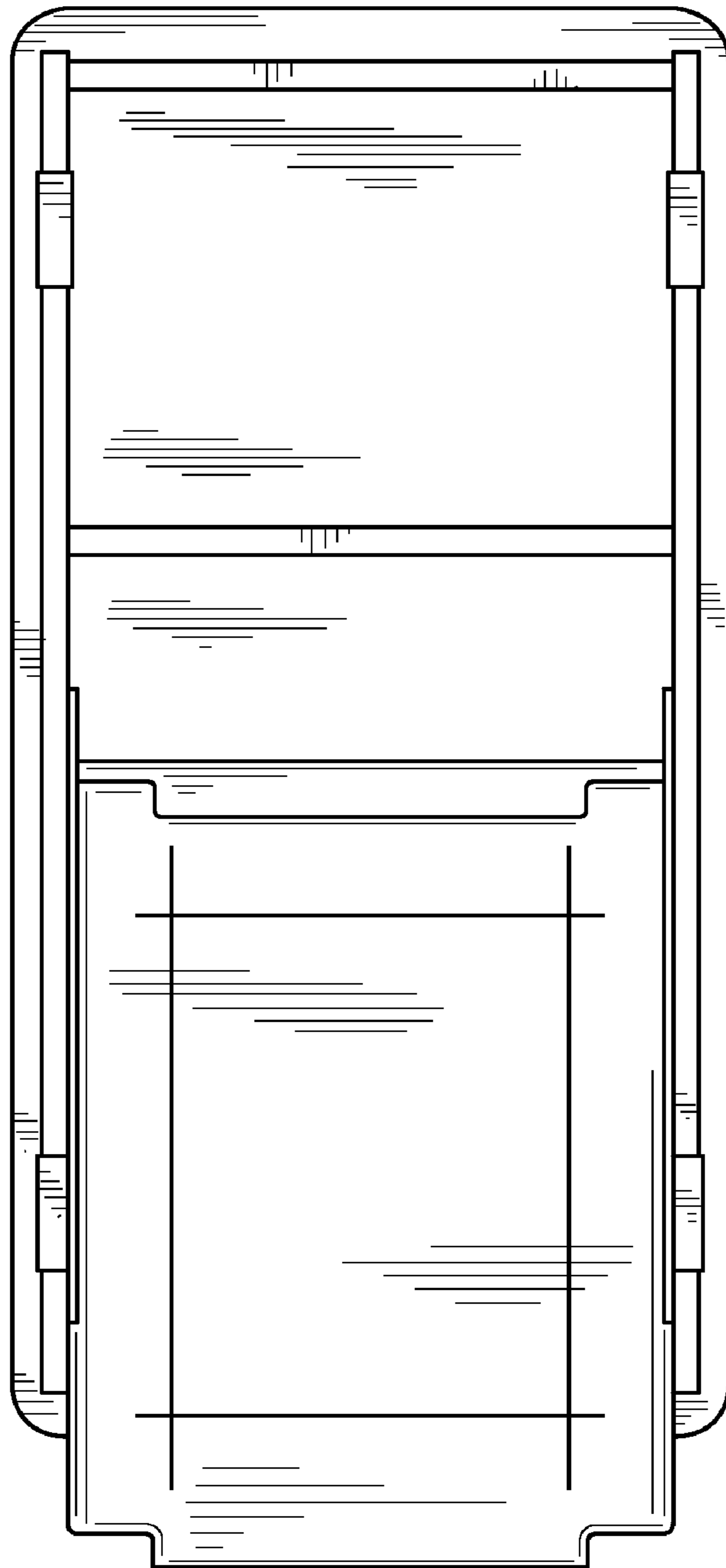


FIG.3

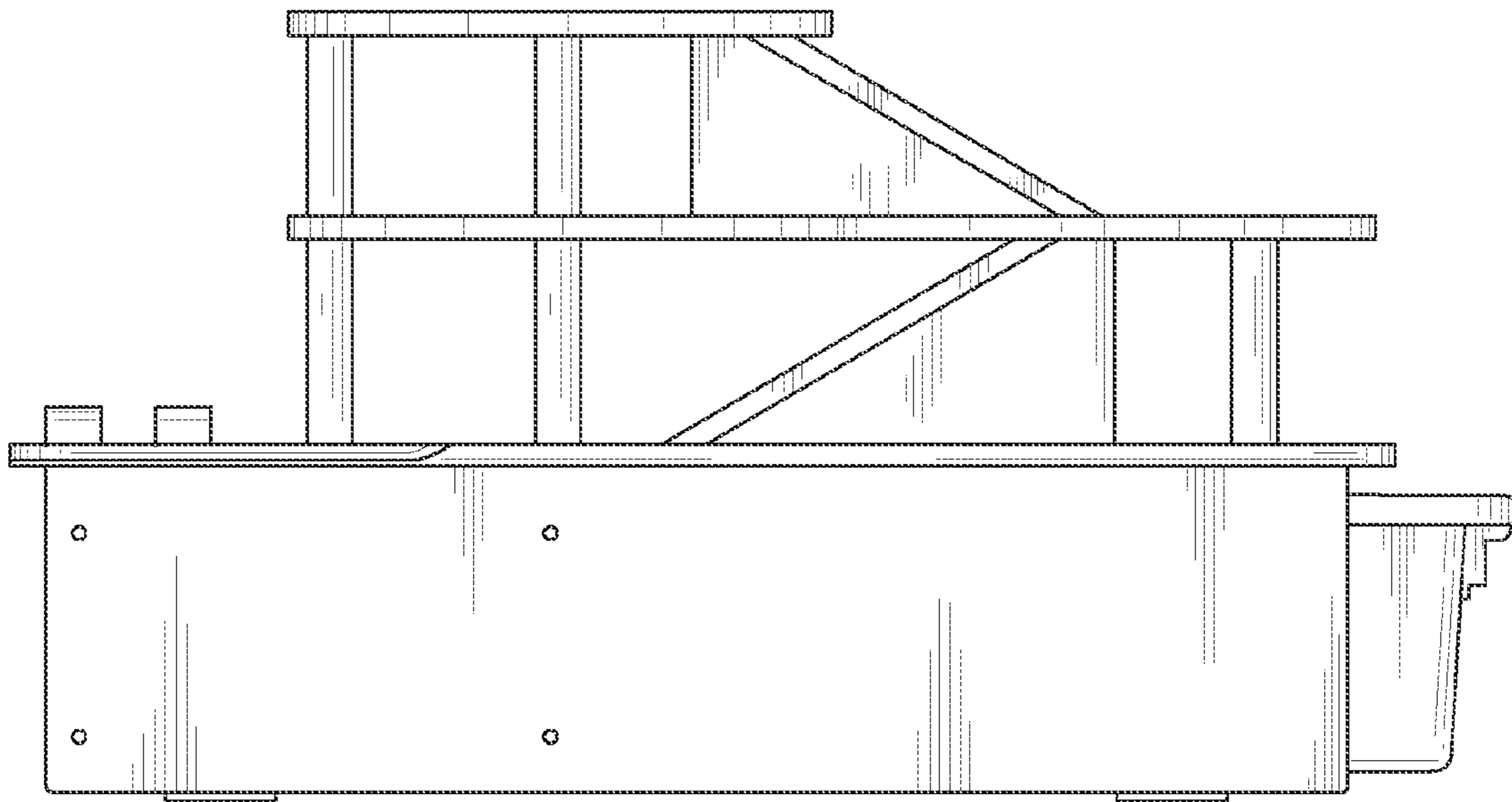


FIG.4

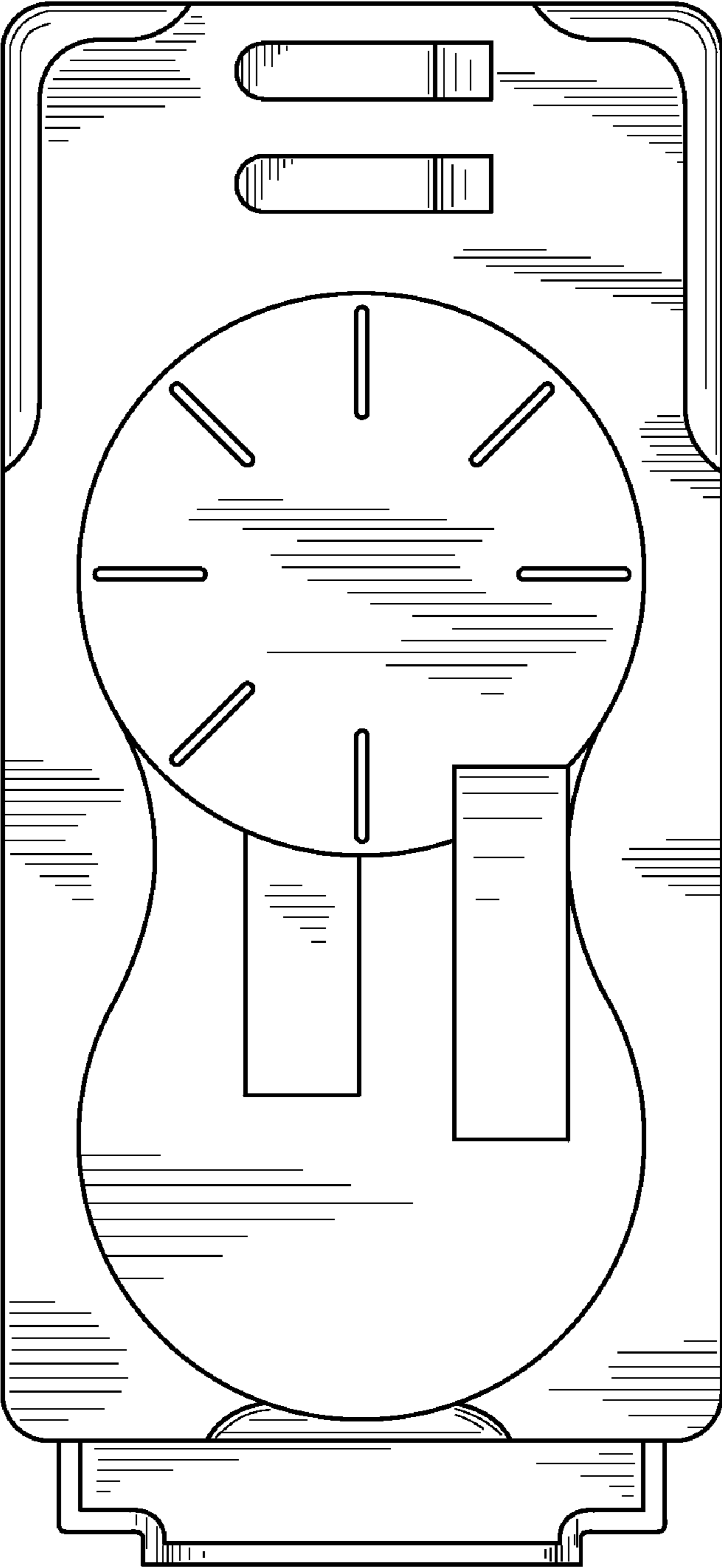


FIG. 5

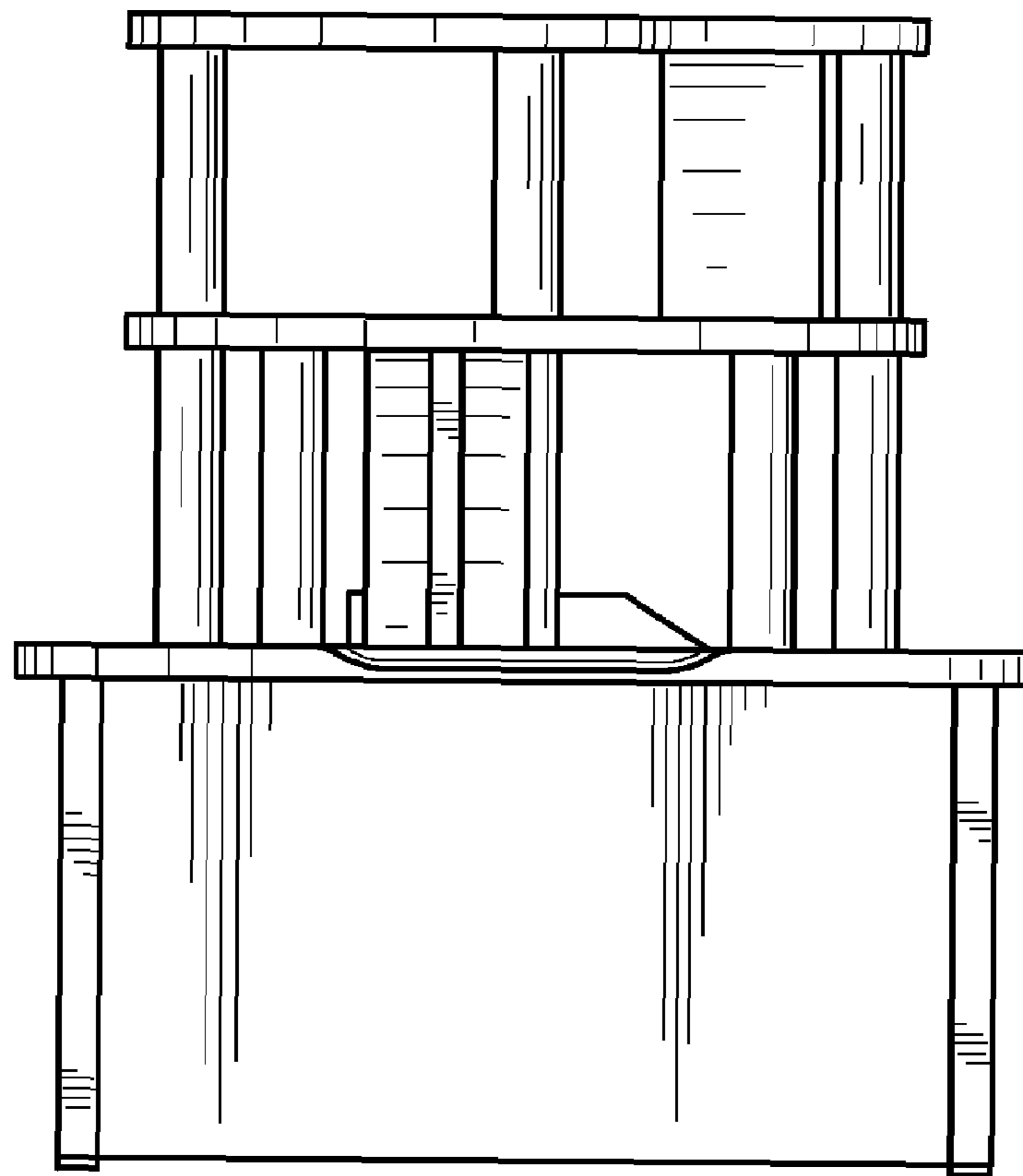


FIG.6

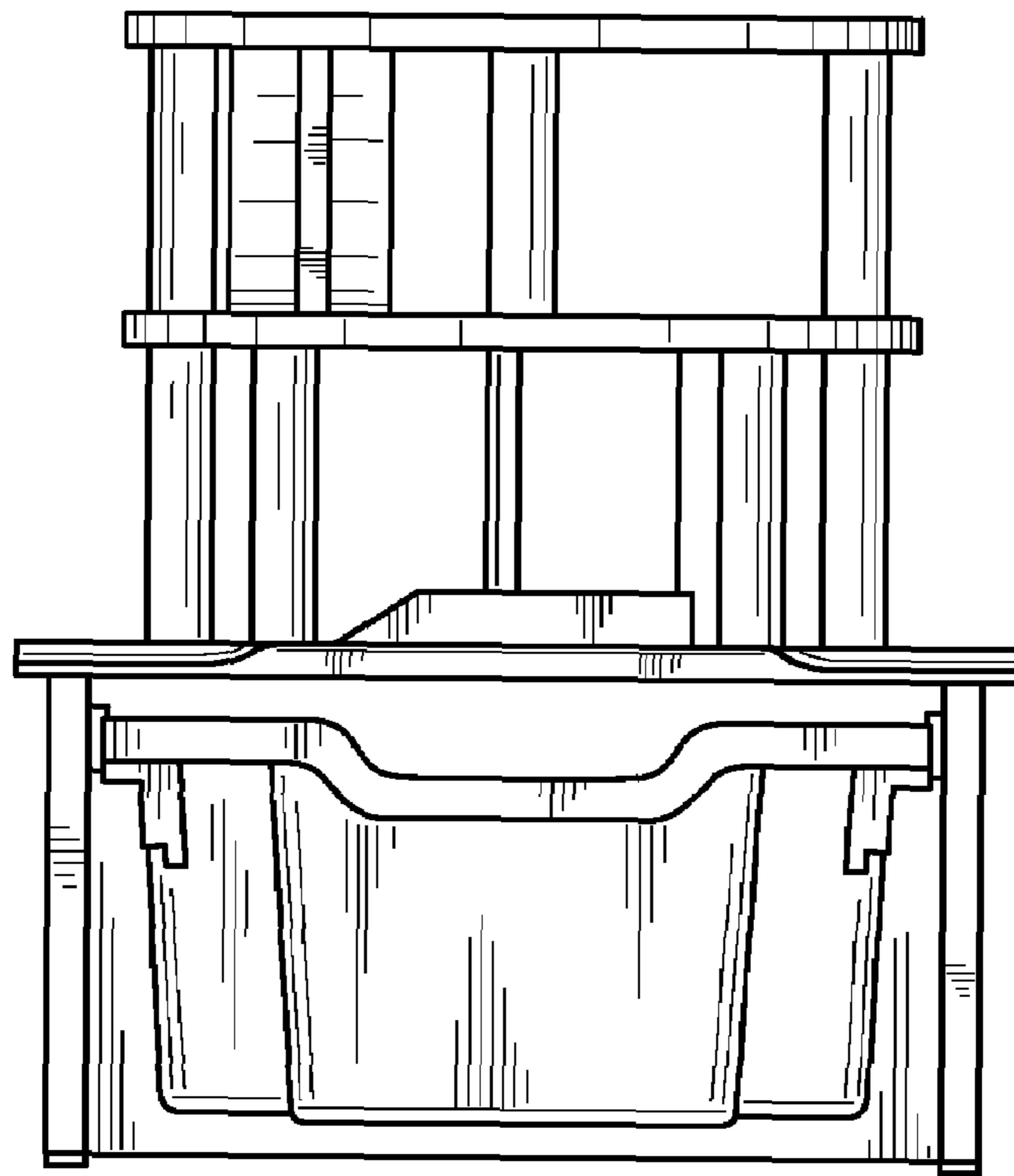


FIG.7