



US00D598050S

(12) **United States Design Patent**
Nozawa

(10) **Patent No.:** **US D598,050 S**

(45) **Date of Patent:** **** Aug. 11, 2009**

(54) **INK CARTRIDGE**

(75) Inventor: **Izumi Nozawa, Suwa (JP)**

(73) Assignee: **Seiko Epson Corporation (JP)**

(**) Term: **14 Years**

(21) Appl. No.: **29/294,381**

(22) Filed: **Jan. 15, 2008**

(30) **Foreign Application Priority Data**

Aug. 15, 2007 (JP) 2007-022266

(51) **LOC (9) Cl.** **18-02**

(52) **U.S. Cl.** **D18/56**

(58) **Field of Classification Search** D18/12,
D18/43, 56; 347/85-87

See application file for complete search history.

(56) **References Cited**

U.S. PATENT DOCUMENTS

D361,591 S *	8/1995	Tokuda et al.	D18/56
D423,043 S *	4/2000	Ishigami et al.	D18/56
D447,513 S *	9/2001	Miyazawa et al.	D18/56
D464,672 S *	10/2002	Shinano et al.	D18/56
D477,020 S *	7/2003	Seino	D18/56
D489,757 S *	5/2004	Matsumoto	D18/56
D492,962 S *	7/2004	Suzuki et al.	D18/56
D511,792 S *	11/2005	Shinada et al.	D18/56
D529,954 S *	10/2006	Matsumoto	D18/56
D534,581 S *	1/2007	Ikezaki et al.	D18/56
D538,338 S *	3/2007	Matsumoto	D18/56
D540,856 S *	4/2007	Hattori	D18/56
D569,422 S *	5/2008	Matsumoto	D18/56

2005/0001888 A1 *	1/2005	Seino et al.	347/86
2005/0041078 A1 *	2/2005	Kimura et al.	347/86

FOREIGN PATENT DOCUMENTS

JP D1218168 9/2004

OTHER PUBLICATIONS

English translation of Office Communication from Taiwanese Patent Office regarding related application in Taiwan (Design application No. 097300305) dated Aug., 2008.

* cited by examiner

Primary Examiner—Cathy Anne MacCormac

(74) *Attorney, Agent, or Firm*—Harness, Dickey & Pierce, P.L.C.

(57) **CLAIM**

The ornamental design for an ink cartridge, as shown and described.

DESCRIPTION

FIG. 1 is a perspective view of the front, left and top of an ink cartridge showing my new design;

FIG. 2 is a perspective view of the rear, right and bottom thereof;

FIG. 3 is a front view thereof;

FIG. 4 is a rear view thereof;

FIG. 5 is a top plan view thereof;

FIG. 6 is a bottom view thereof;

FIG. 7 is a right side view thereof; and,

FIG. 8 is a left side view thereof.

1 Claim, 4 Drawing Sheets

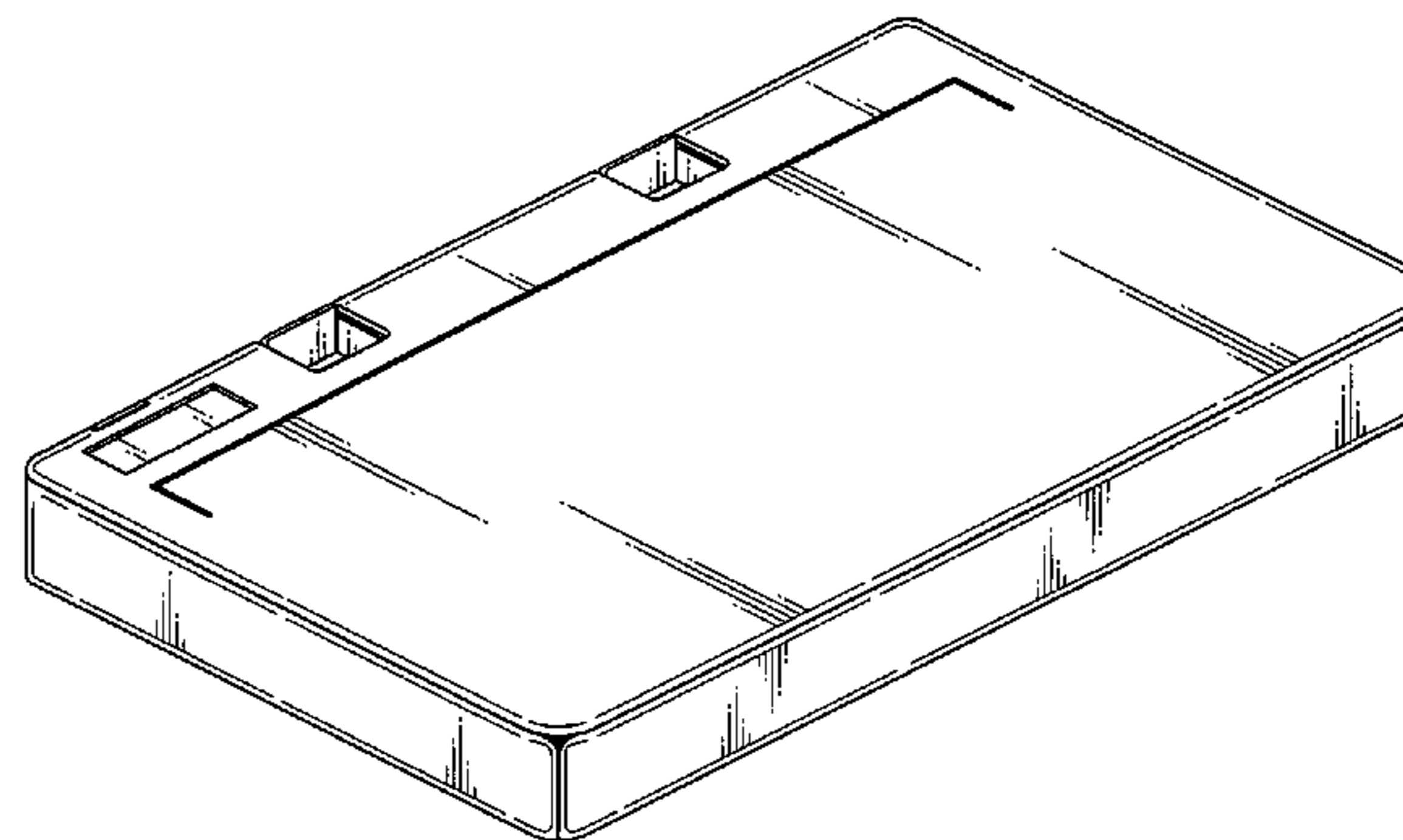
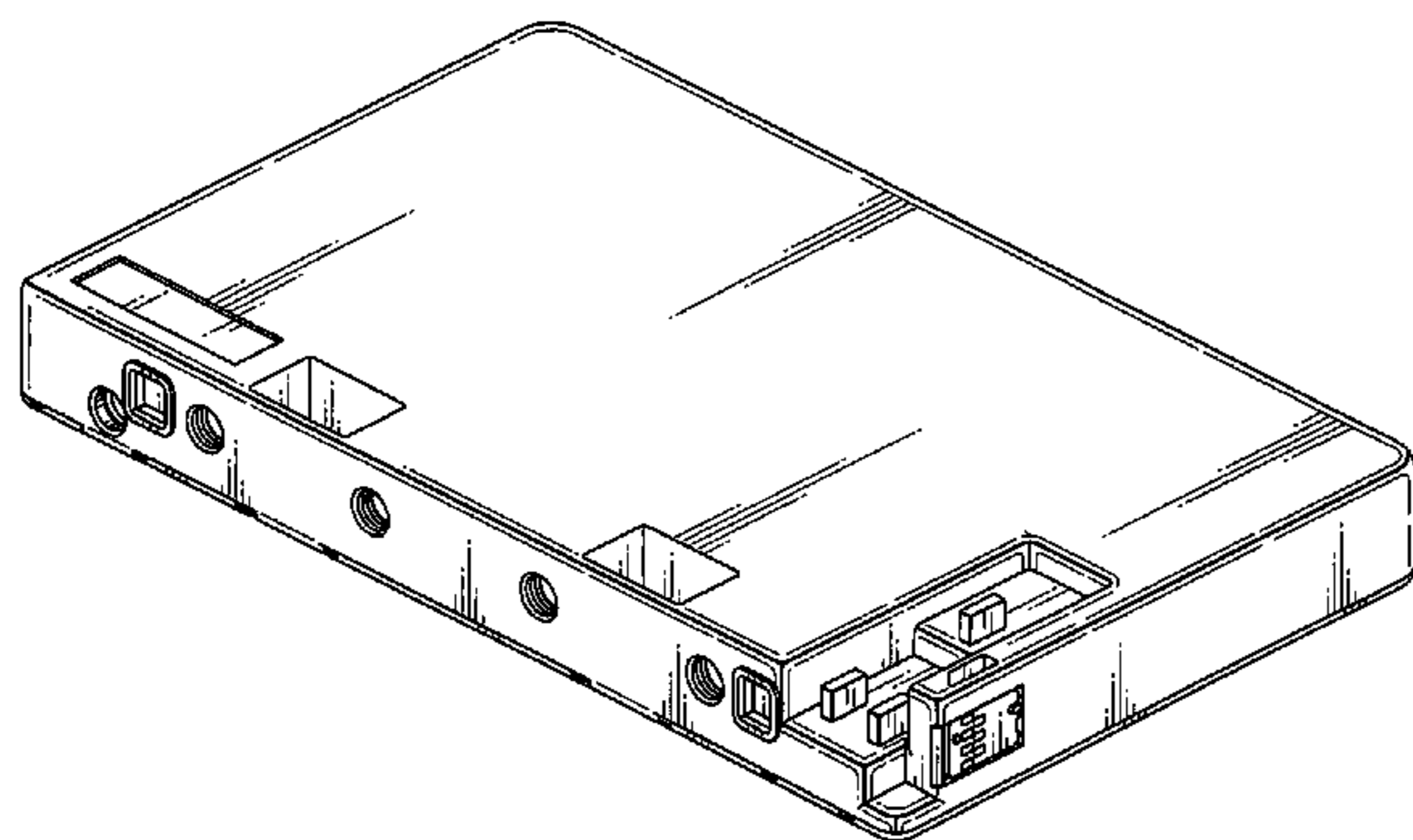


FIG.1

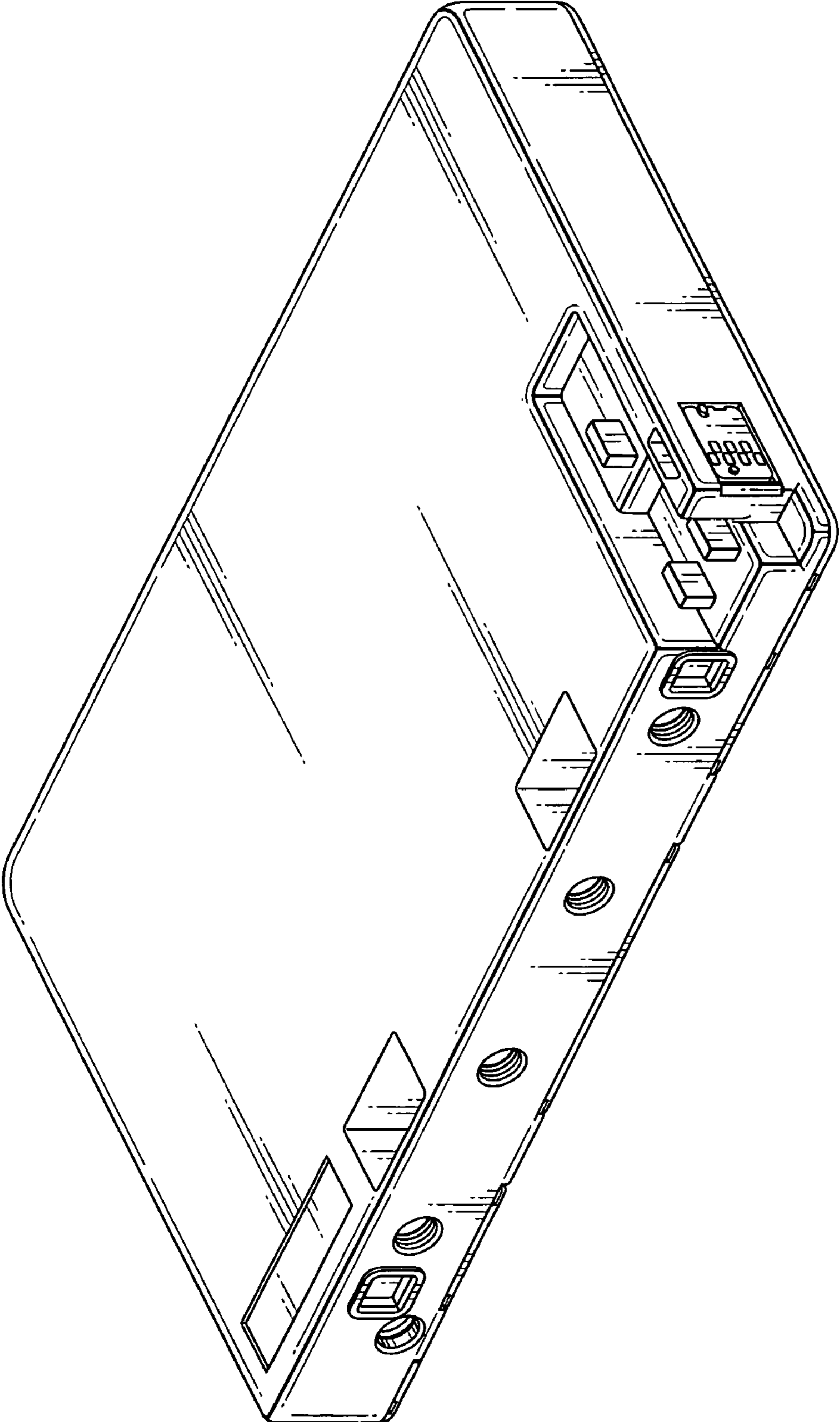


FIG.2

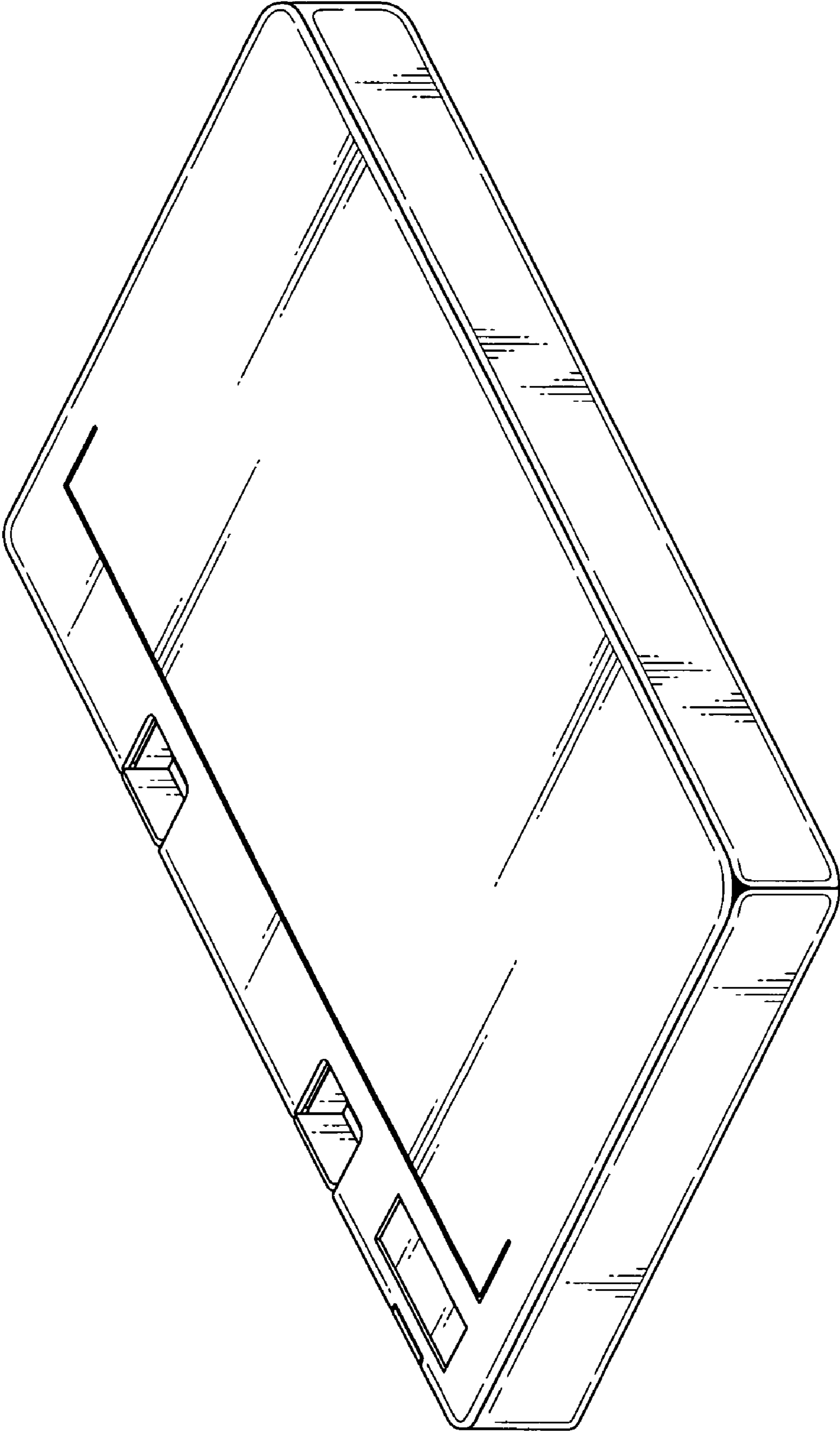


FIG.3

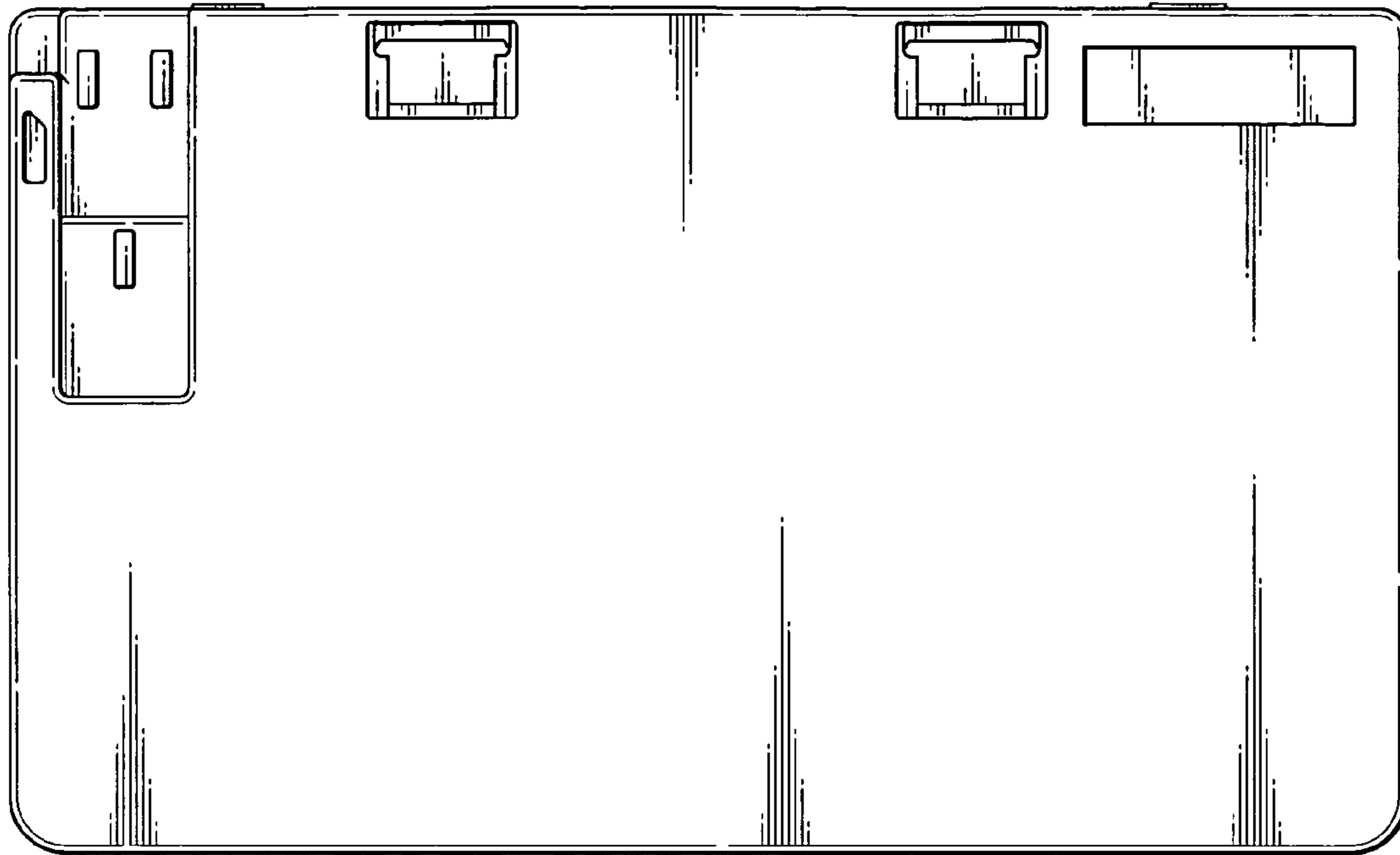


FIG.4

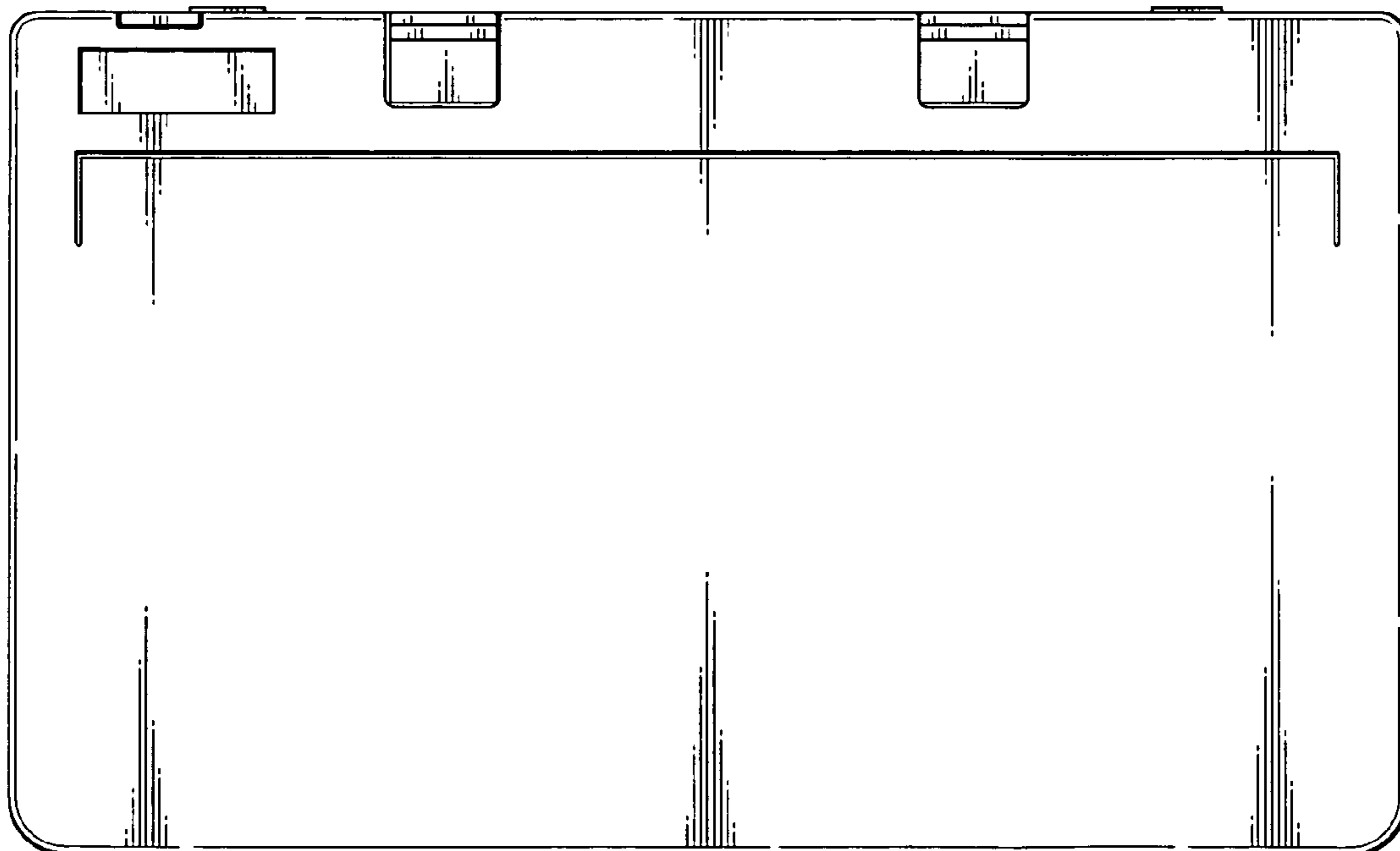


FIG.5

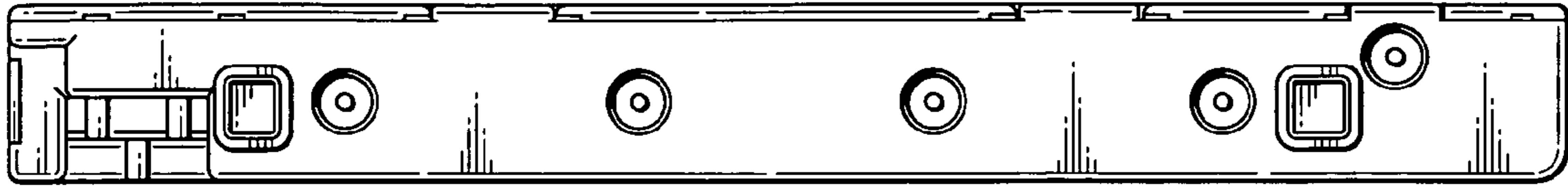


FIG.6



FIG.7

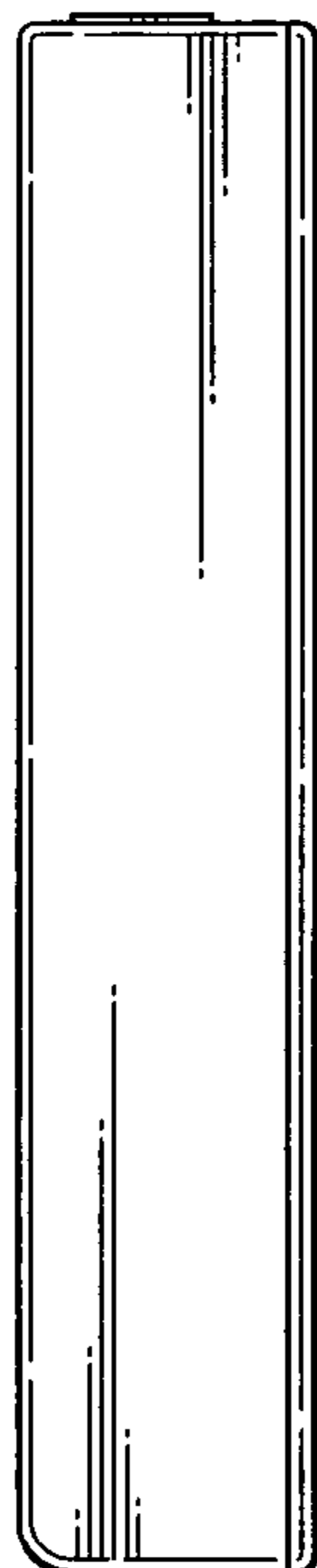


FIG.8

