

US00D598048S

(12) **United States Design Patent**
Holderfield et al.

(10) **Patent No.:** **US D598,048 S**

(45) **Date of Patent:** **** Aug. 11, 2009**

(54) **SHREDDER**

(75) Inventors: **Gregory James Holderfield**, Oak Park, IL (US); **Sebastien J. Labat**, Chicago, IL (US)

(73) Assignee: **Fellowes, Inc.**, Itasca, IL (US)

(**) Term: **14 Years**

(21) Appl. No.: **29/328,506**

(22) Filed: **Nov. 25, 2008**

Related U.S. Application Data

(62) Division of application No. 29/298,665, filed on Dec. 10, 2007, now Pat. No. Des. 583,859.

(51) **LOC (9) Cl.** **18-04**

(52) **U.S. Cl.** **D18/34.9**

(58) **Field of Classification Search** D18/34.1-34.9; 241/100, 236, 101.78, 36, 244, 606, 26, 34, 241/102; 83/613, 614, 623, 485, 57-68, 83/923; 164/468; 30/294, 296.1, 275.4, 30/276, 173, 263; D23/359

See application file for complete search history.

(56) **References Cited**

U.S. PATENT DOCUMENTS

- D440,644 S * 4/2001 Potnis et al. D23/359
- D454,907 S 3/2002 Ho
- D455,171 S 4/2002 Ho

- D502,961 S 3/2005 Lo
- 6,964,386 B2 11/2005 Ho
- D537,512 S * 2/2007 Nakajima D23/359
- D547,366 S 7/2007 Kent
- D551,747 S * 9/2007 Liu D23/359
- D555,716 S 11/2007 Chen
- D557,735 S 12/2007 Ho
- D557,783 S * 12/2007 Yoo et al. D23/359
- D558,257 S 12/2007 Joachim

* cited by examiner

Primary Examiner—Charles A Rademaker

(74) *Attorney, Agent, or Firm*—Pillsbury Winthrop Shaw Pittman LLP

(57) **CLAIM**

The ornamental design for a shredder, as shown and described.

DESCRIPTION

FIG. 1 is a right side perspective view of a shredder showing our new design;

FIG. 2 is a left side perspective view thereof;

FIG. 3 is a front elevation thereof;

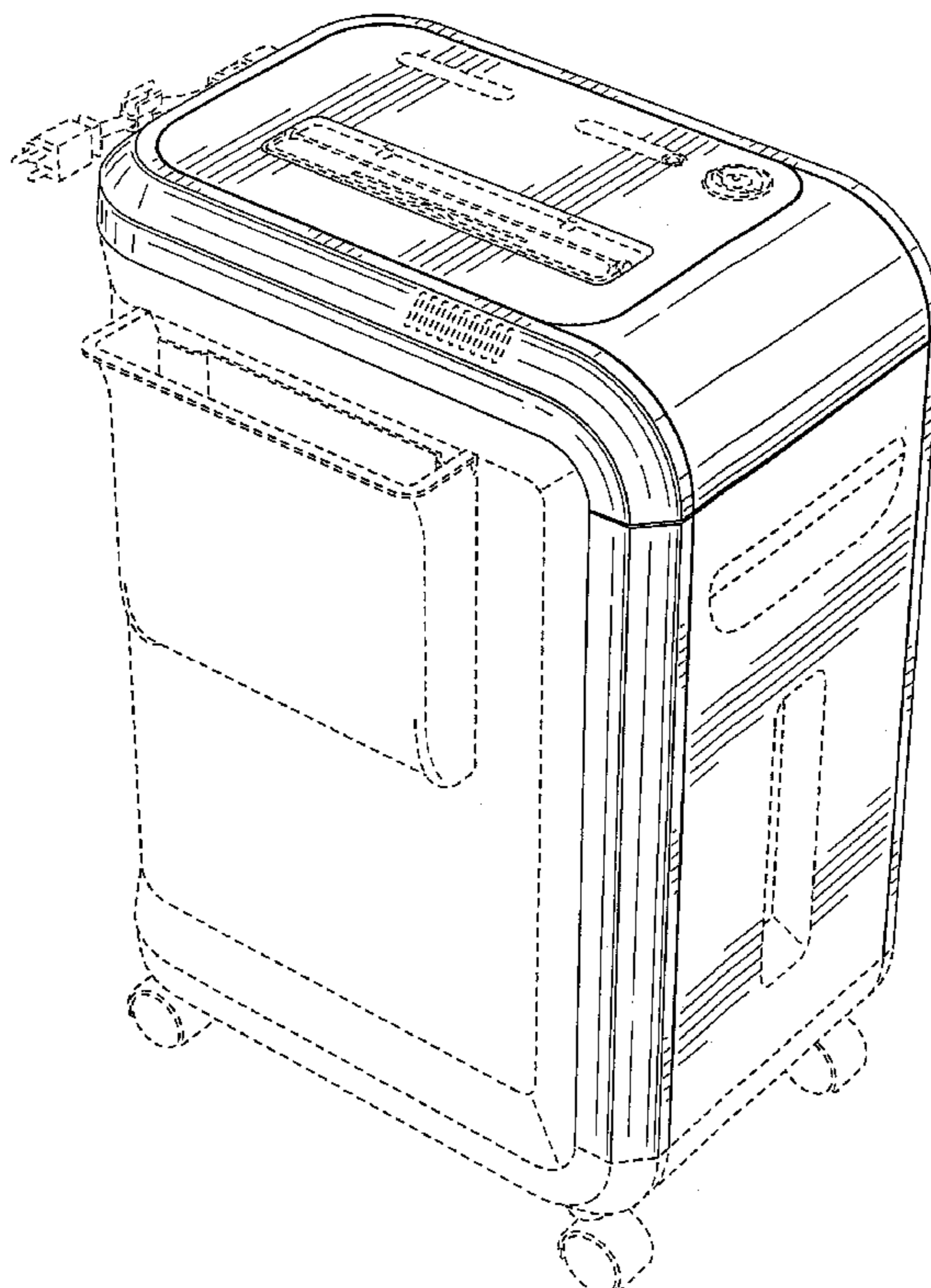
FIG. 4 is a top plan view thereof;

FIG. 5 is a right side elevation thereof; and,

FIG. 6 is a left side elevation thereof.

The broken lines shown in the figure drawings illustrate structural environment and form no part of the claim.

1 Claim, 6 Drawing Sheets



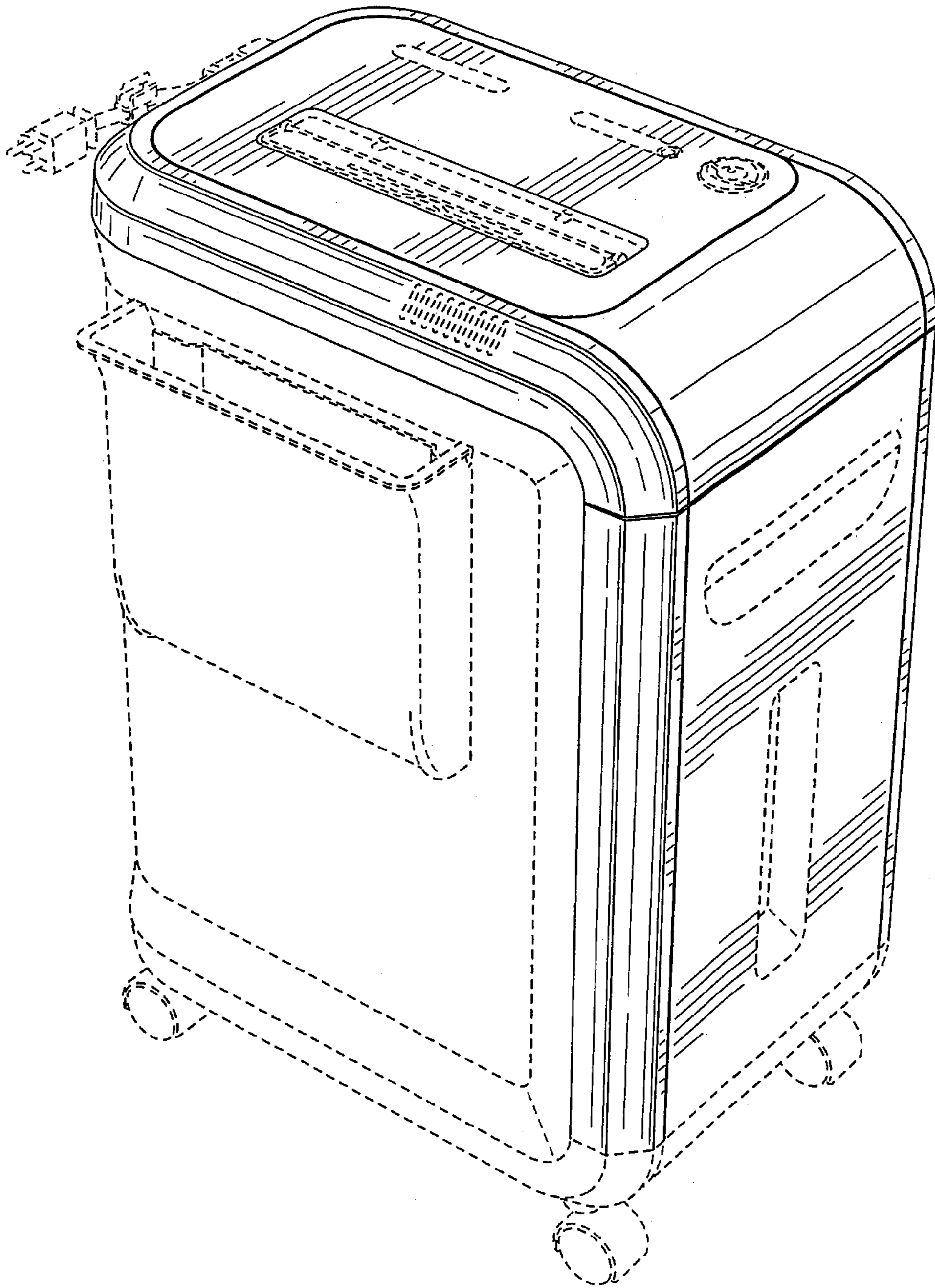


FIG. 1

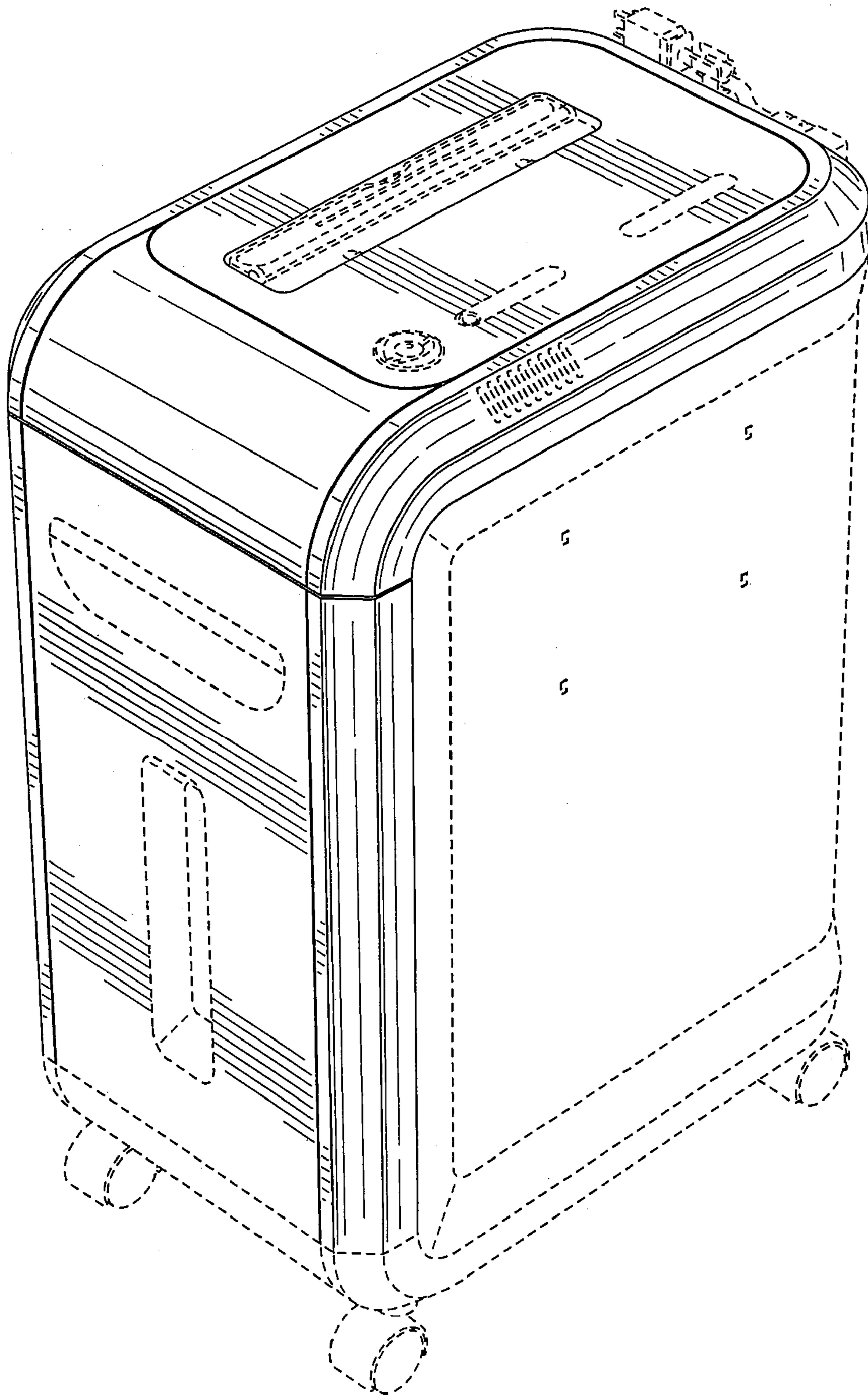


FIG. 2

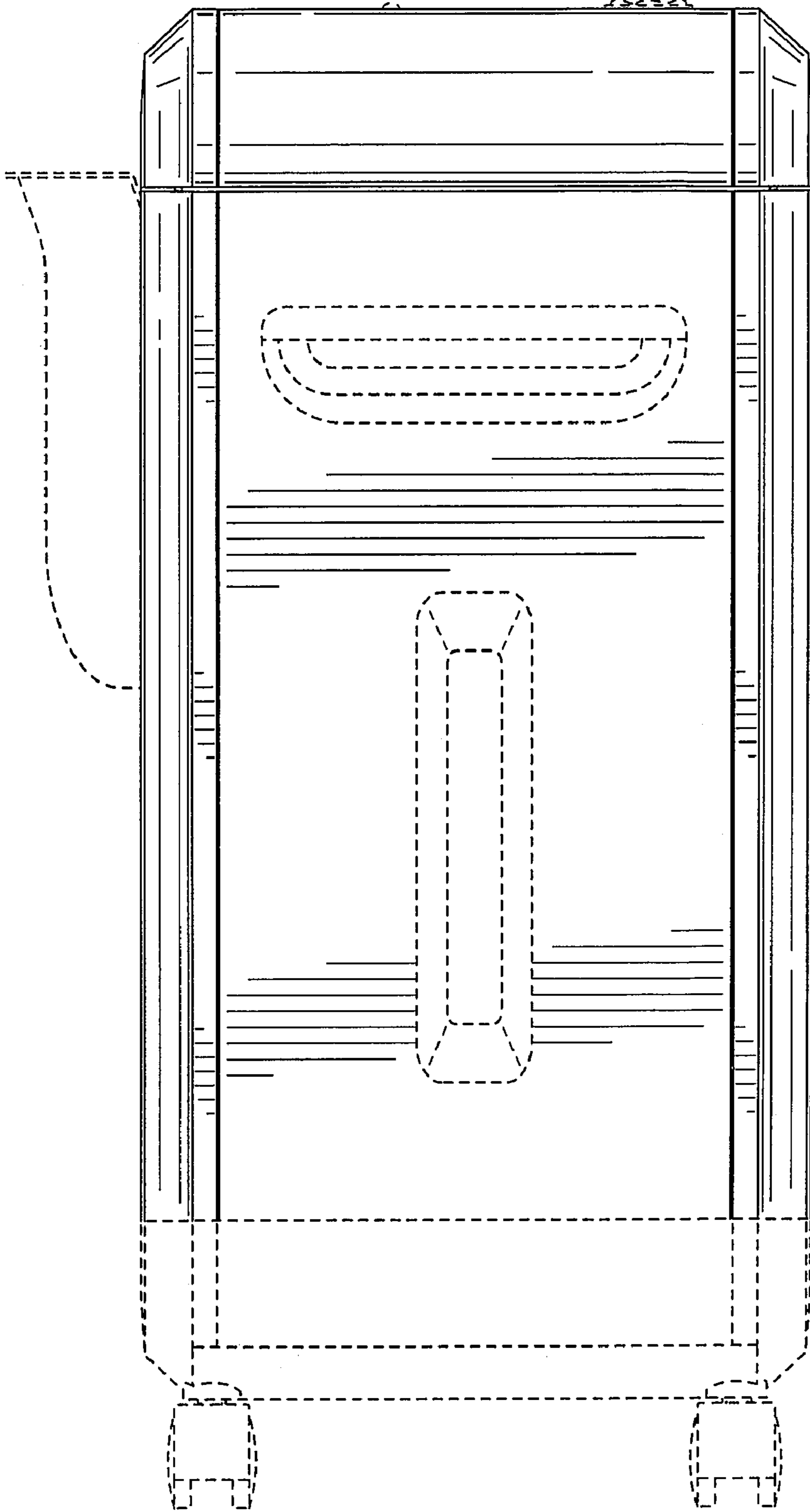


FIG. 3

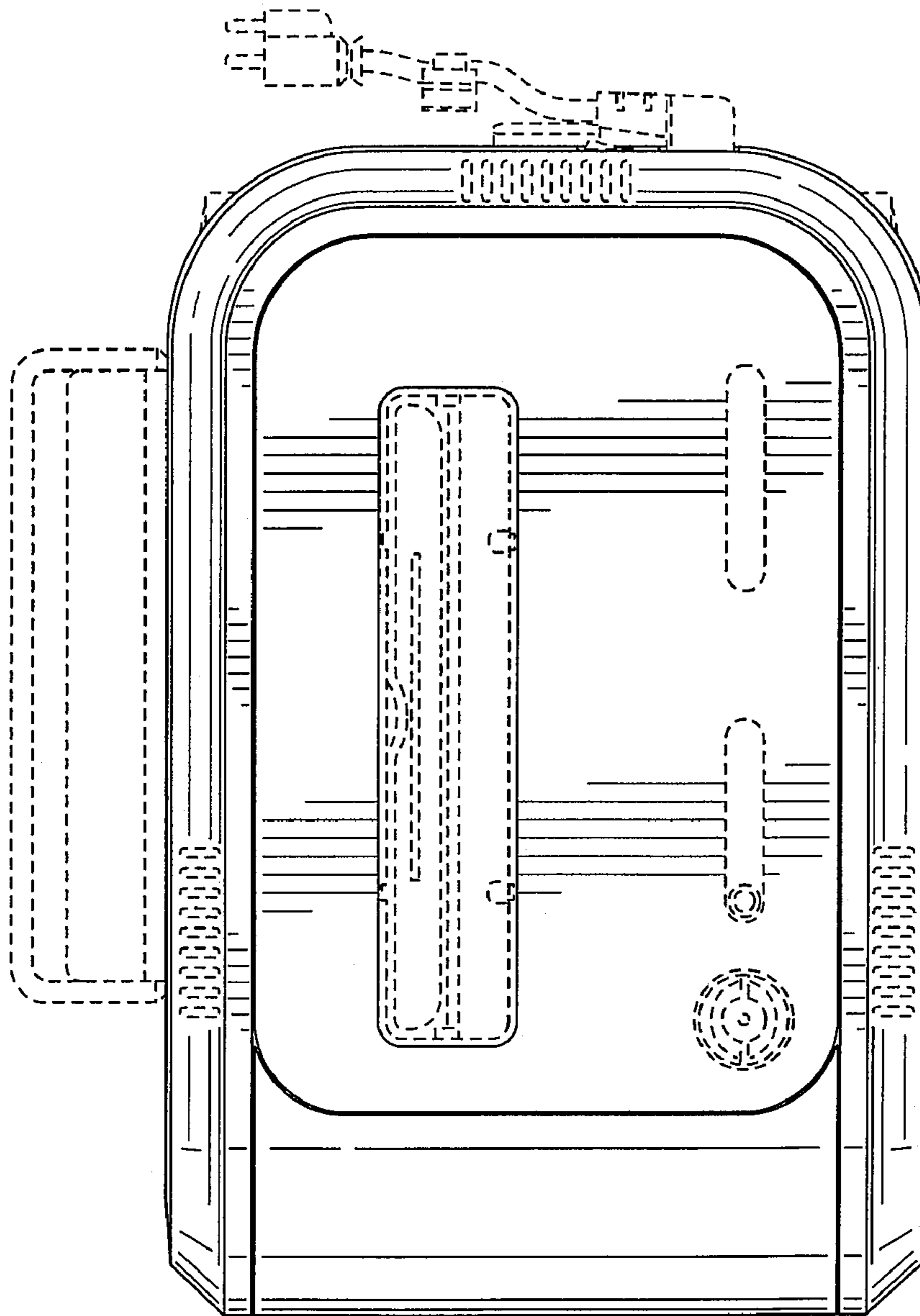


FIG. 4

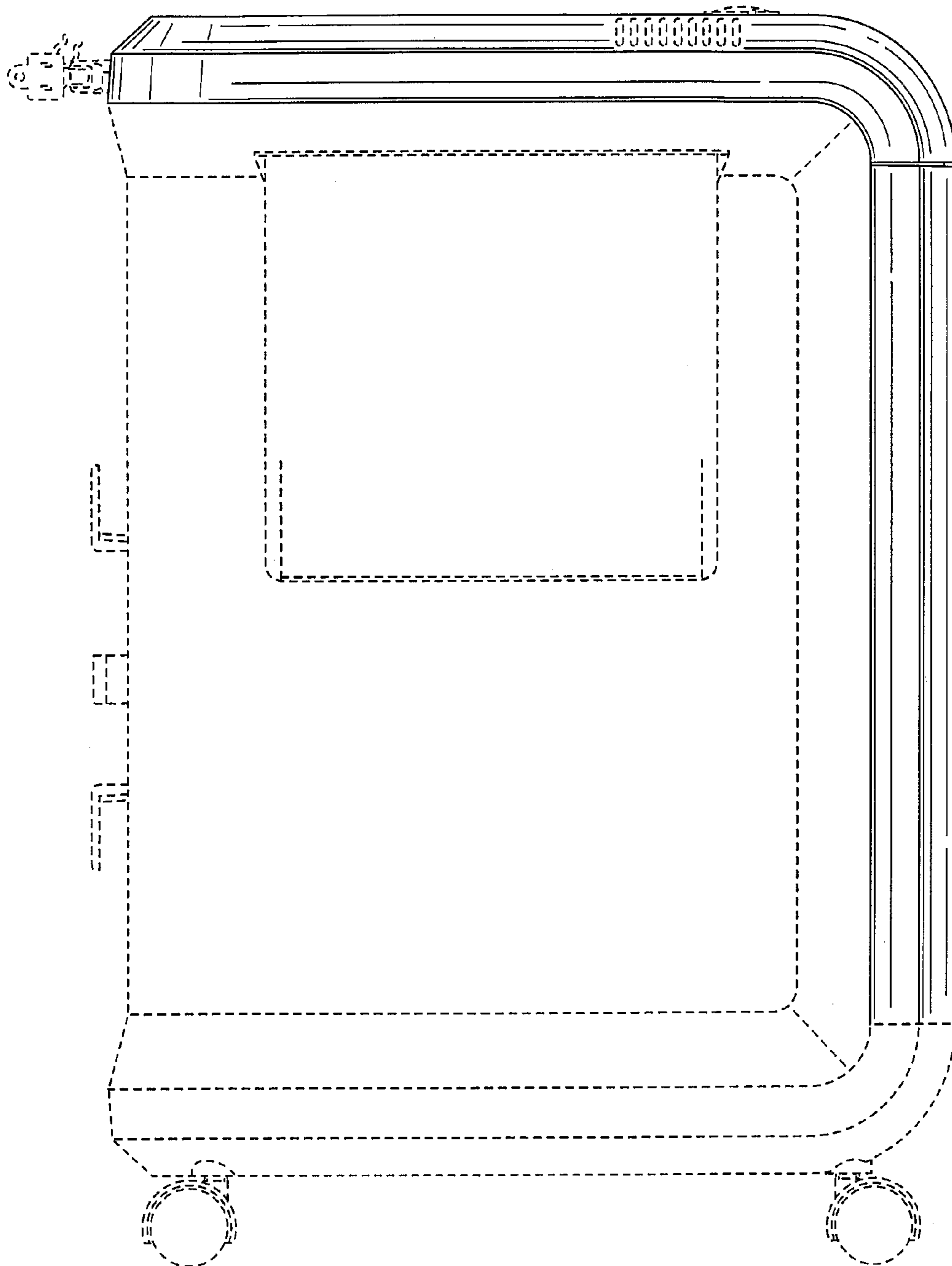


FIG. 5

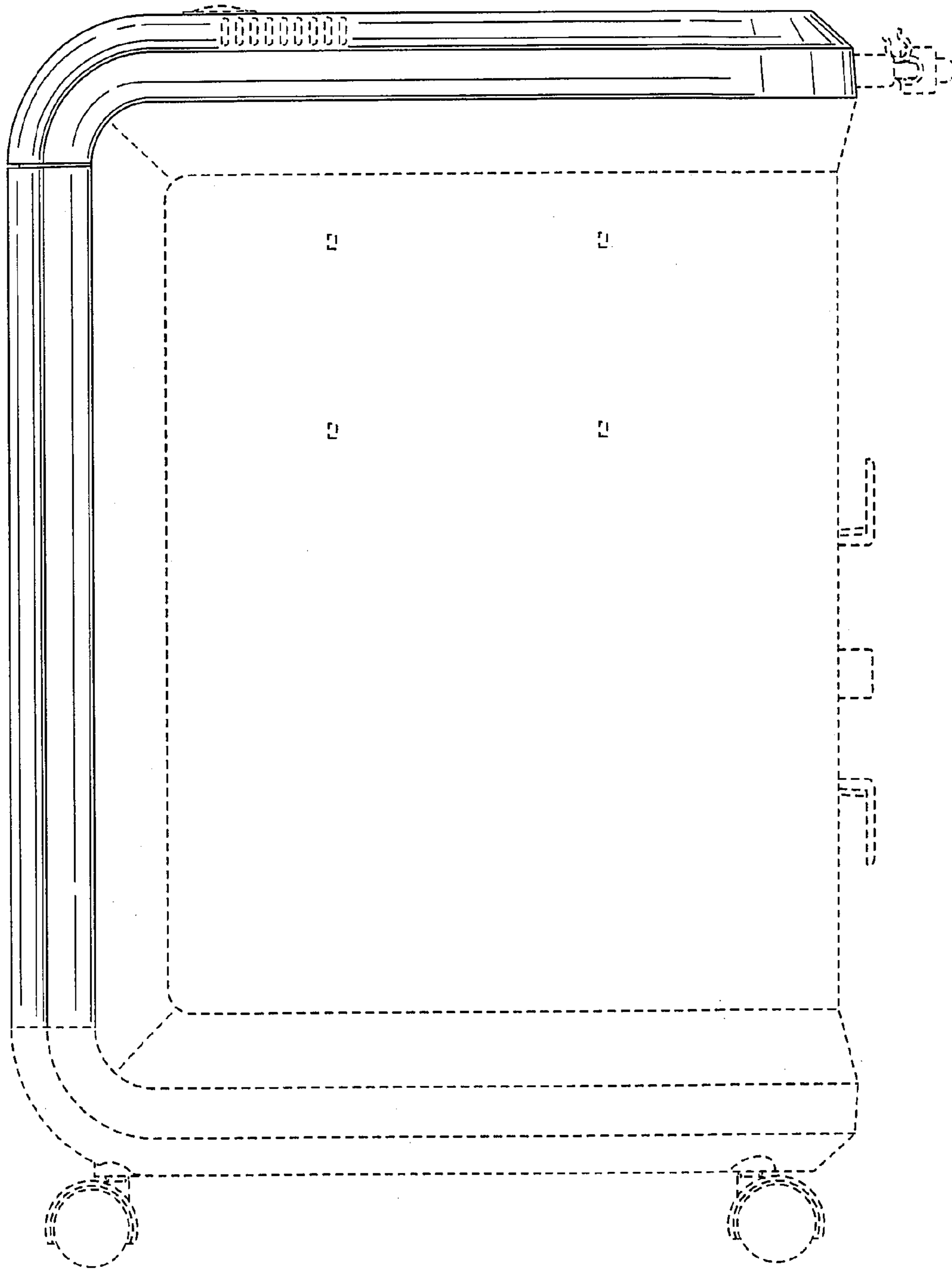


FIG. 6