



US00D598045S

(12) **United States Design Patent**
Iwata et al.

(10) **Patent No.:** **US D598,045 S**

(45) **Date of Patent:** **** Aug. 11, 2009**

(54) **POINT-OF-SALE TERMINAL**

(75) Inventors: **Akihisa Iwata**, Kawasaki (JP); **Yohei Ikegami**, Kawasaki (JP); **Mariko Jinno**, Tokyo (JP)

(73) Assignee: **NEC Infrontia Corporation**, Kawasaki-shi (JP)

(**) Term: **14 Years**

(21) Appl. No.: **29/329,947**

(22) Filed: **Dec. 23, 2008**

(30) **Foreign Application Priority Data**

Jul. 2, 2008 (JP) 2008-017117

(51) **LOC (9) Cl.** **18-01**

(52) **U.S. Cl.** **D18/4.5**

(58) **Field of Classification Search** D14/336,
D14/371-376, 387; D18/3.1-3.3, 4.1-4.6,
D18/6-8, 11, 12, 12.1-12.3; D21/324, 329,
D21/332; D99/28, 34-36, 43; 235/1 E, 2,
235/7 R, 12, 22, 33, 51, 52; 705/12, 15-18,
705/43

See application file for complete search history.

(56) **References Cited**

U.S. PATENT DOCUMENTS

D494,176 S * 8/2004 Porter et al. D14/336
D527,759 S * 9/2006 Ono D18/4.5
D529,073 S * 9/2006 Ono D18/4.5
D542,333 S * 5/2007 Ando et al. D18/4.6

* cited by examiner

Primary Examiner—Caron Veynar

Assistant Examiner—Garth Rademaker

(74) *Attorney, Agent, or Firm*—Frishauf, Holtz, Goodman & Chick, P.C.

(57) **CLAIM**

The ornamental design for a point-of-sale terminal, as shown and described.

DESCRIPTION

FIG. 1 is a front, right side, top perspective view of a point-of-sale terminal showing our new design;

FIG. 2 is a front elevational view thereof;

FIG. 3 is a rear elevational view thereof;

FIG. 4 is a left side view thereof;

FIG. 5 is a right side view thereof;

FIG. 6 is a top plan view thereof;

FIG. 7 is a bottom plan view thereof;

FIG. 8 is a rear, right side, top perspective view thereof;

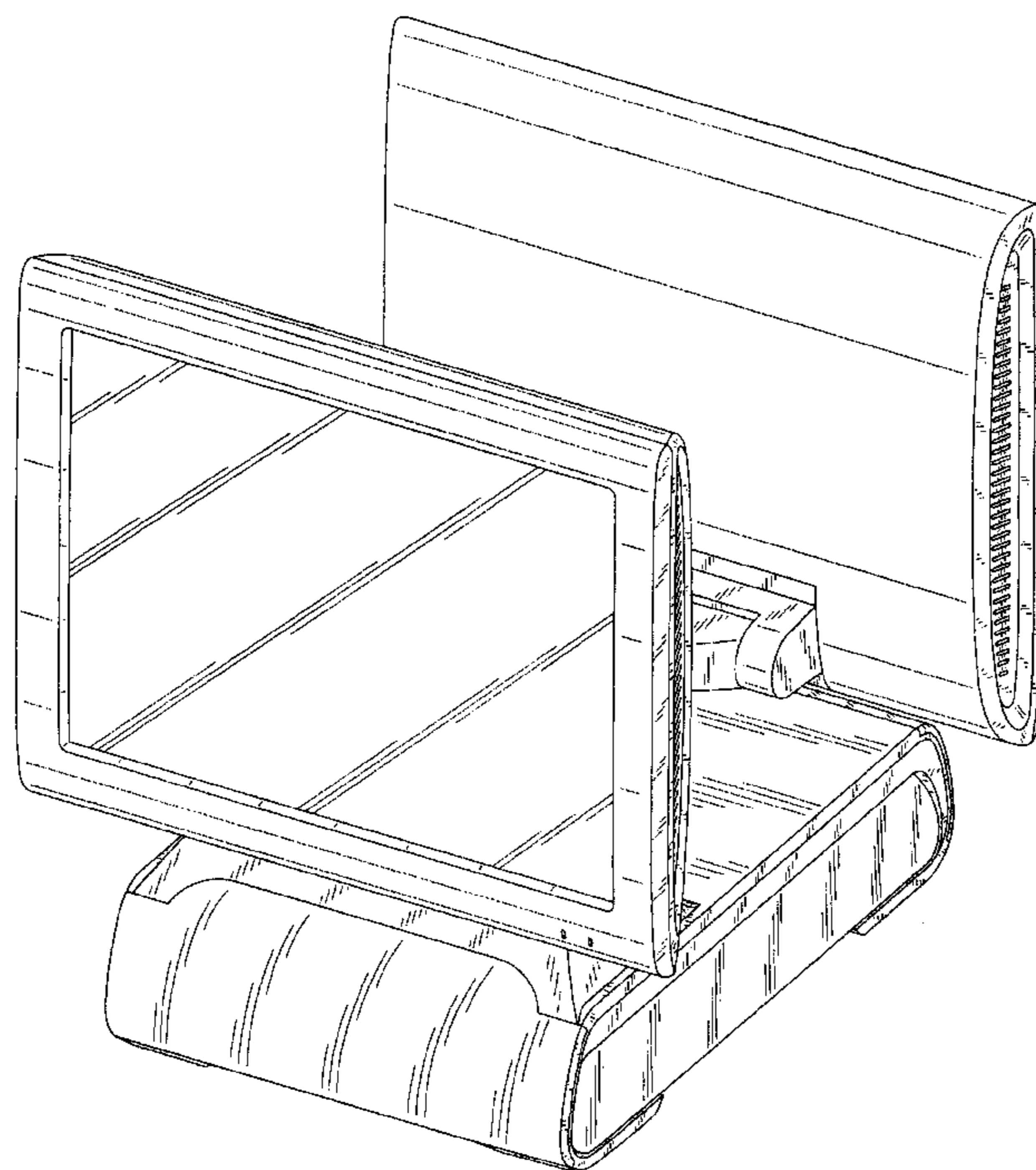
FIG. 9 is a right side view thereof in which display portions are moved;

FIG. 10 is a reference left side view thereof showing a state in which a printer is attached; and,

FIG. 11 is a reference rear perspective view thereof showing a state in which the printer is attached.

The portions shown by broken lines are shown for illustrative purposes only and form no part of the claimed design.

1 Claim, 11 Drawing Sheets



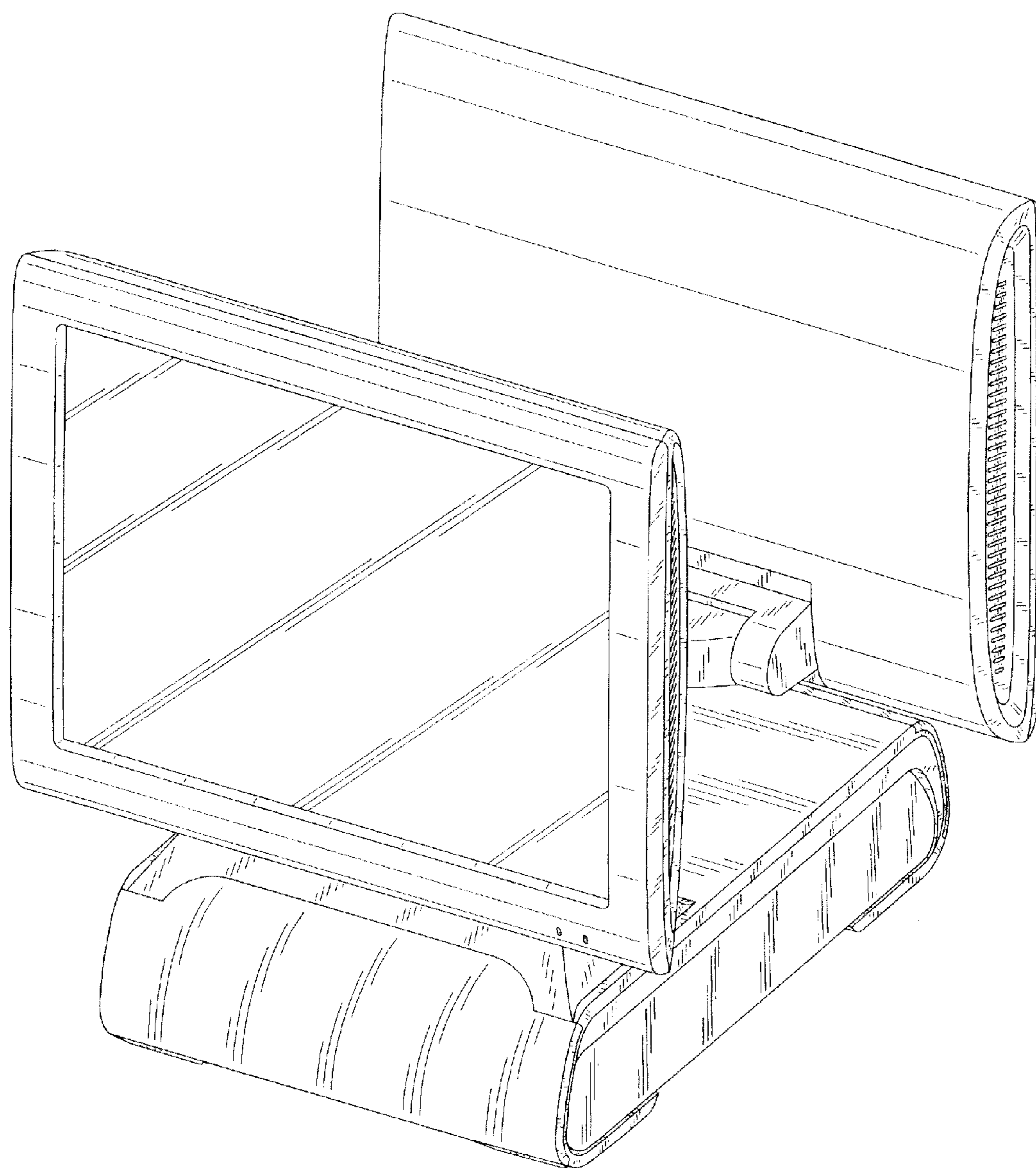


FIG. 1

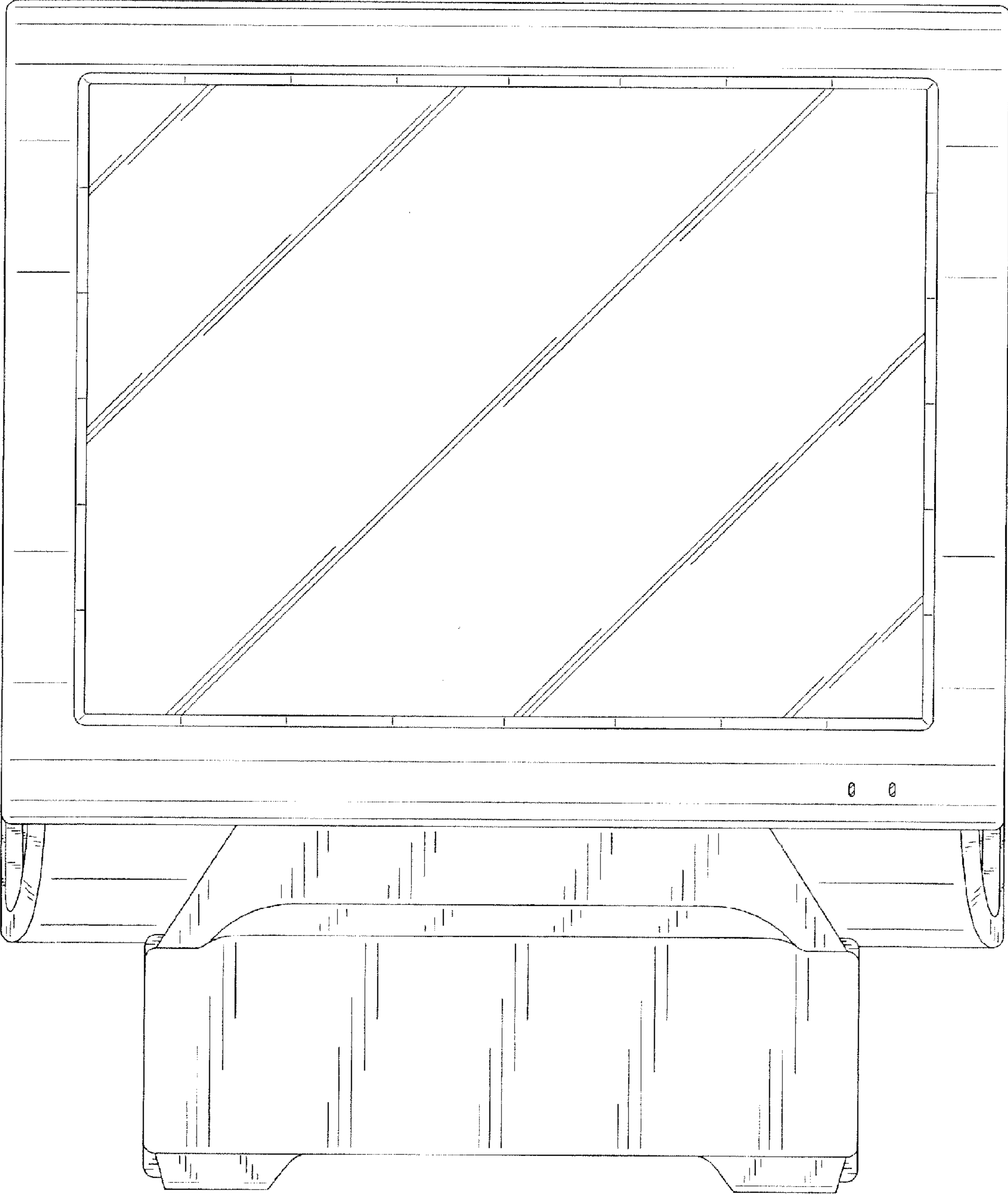


FIG. 2

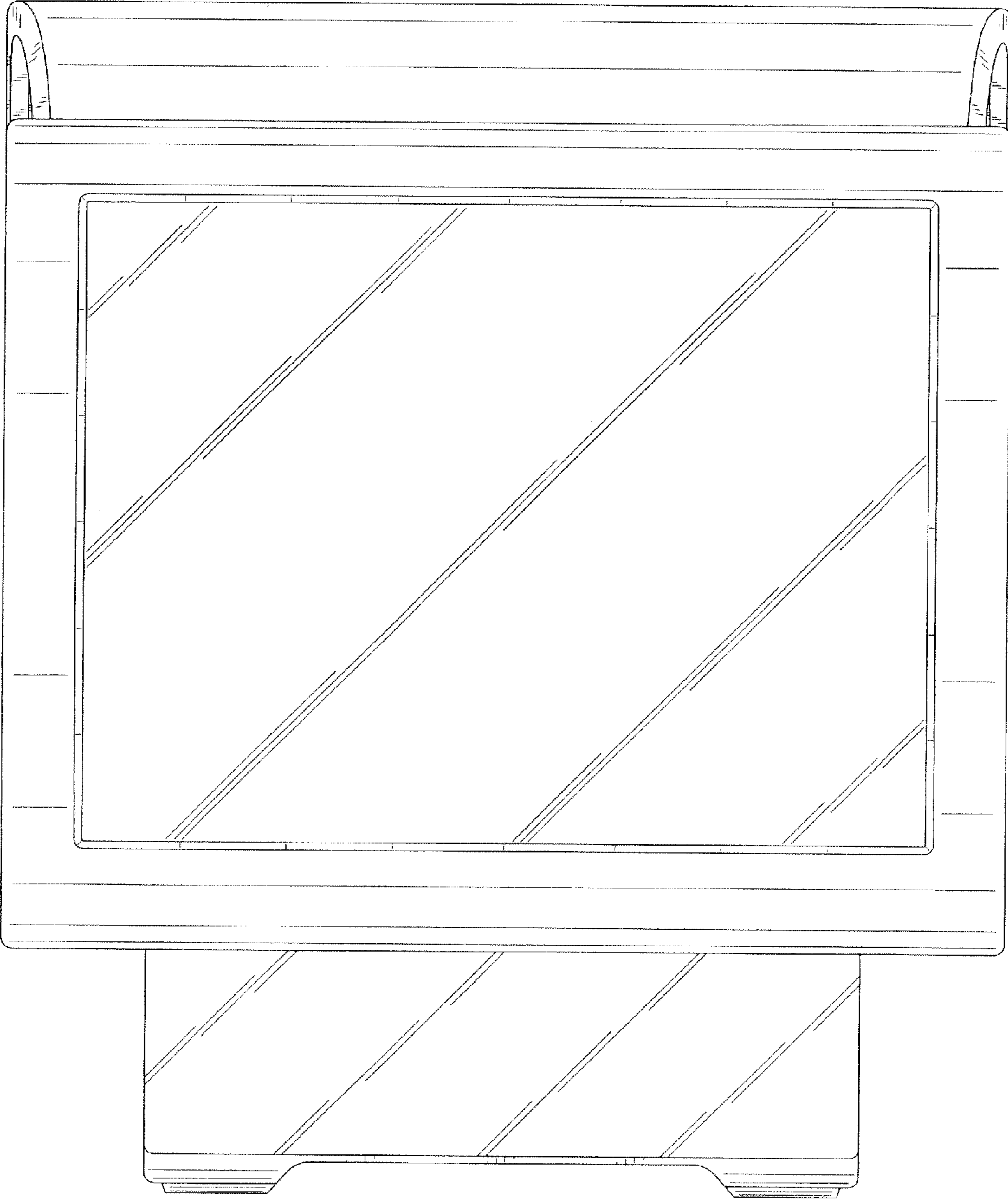


FIG. 3

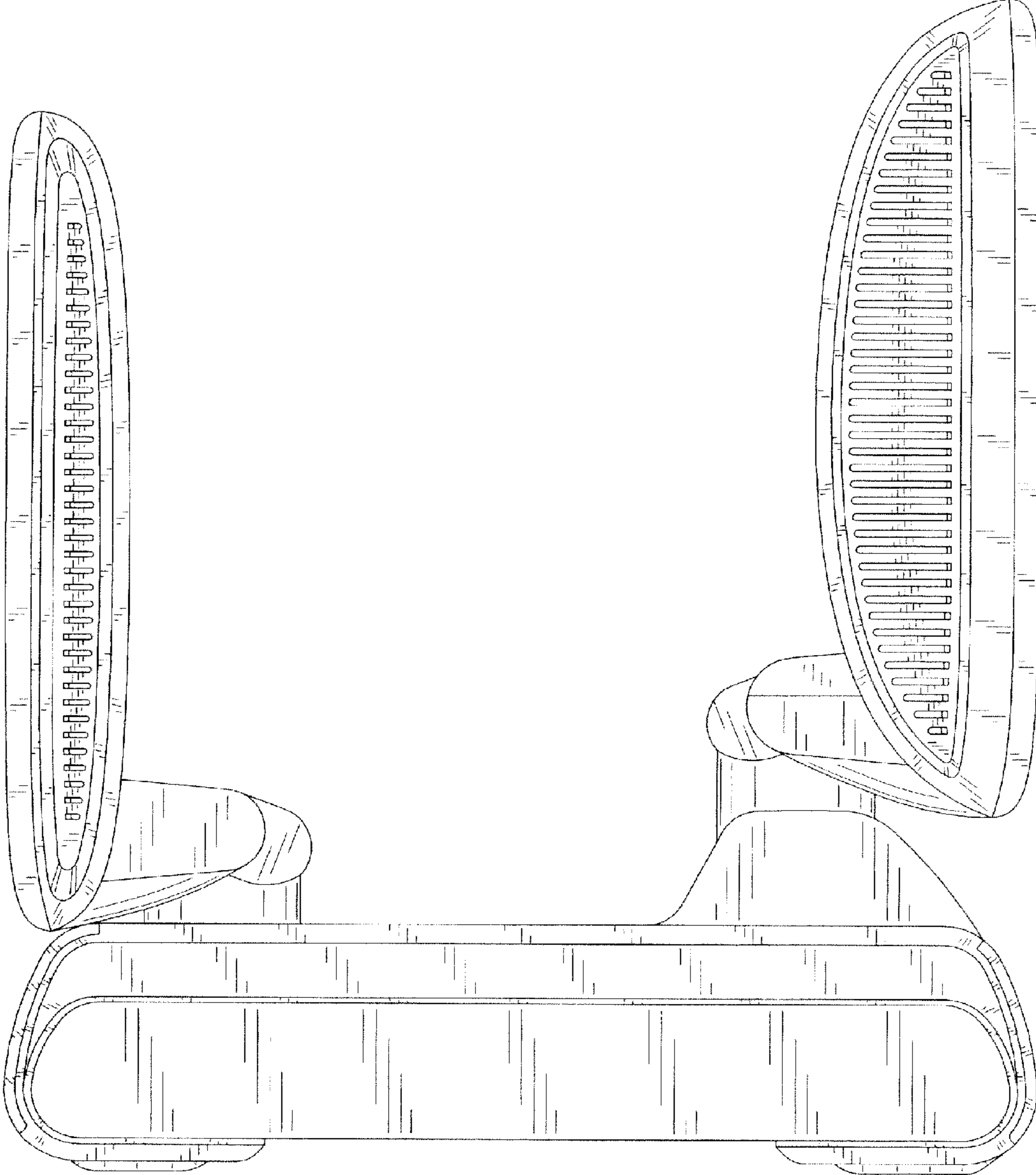


FIG. 4

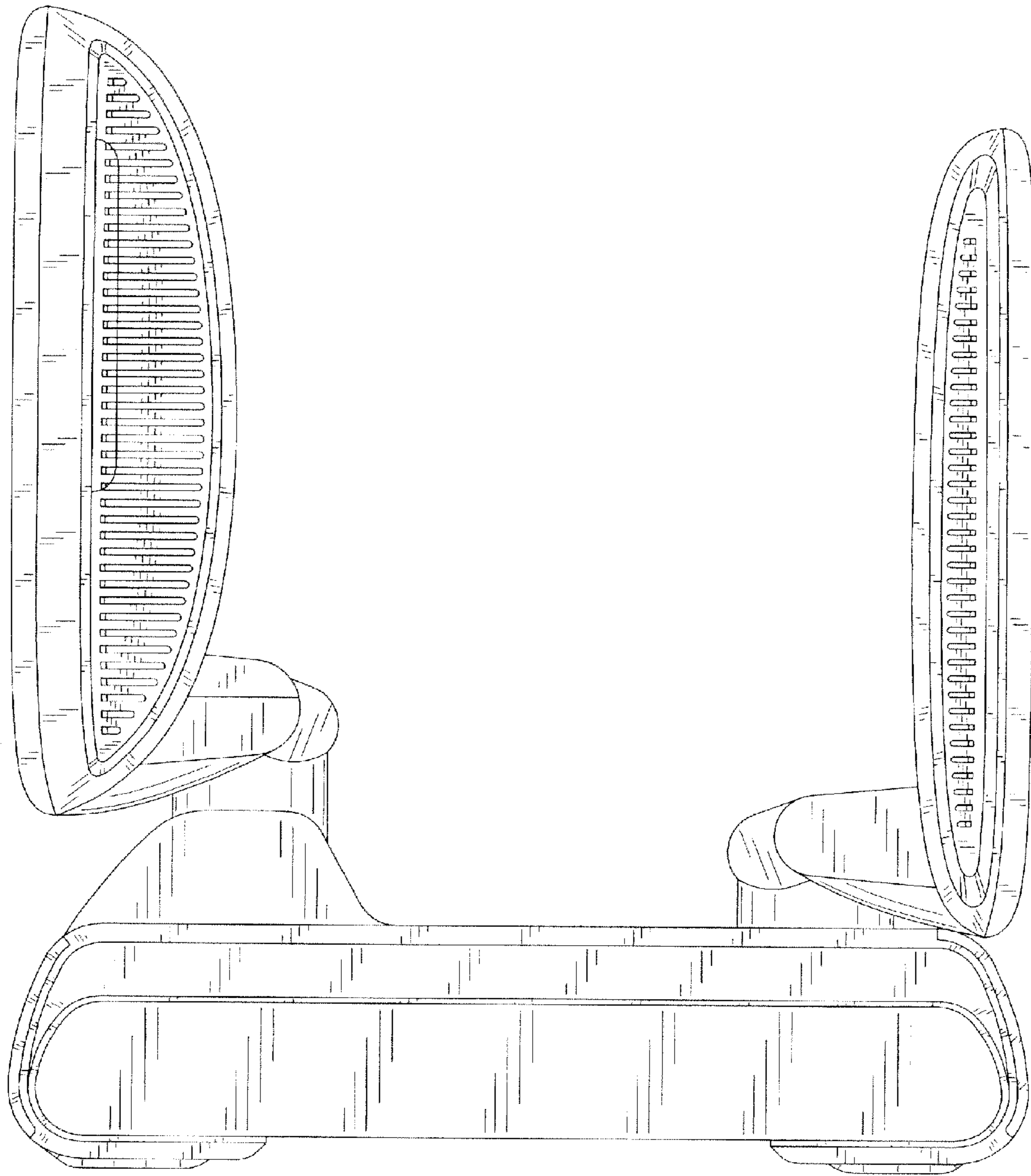


FIG. 5

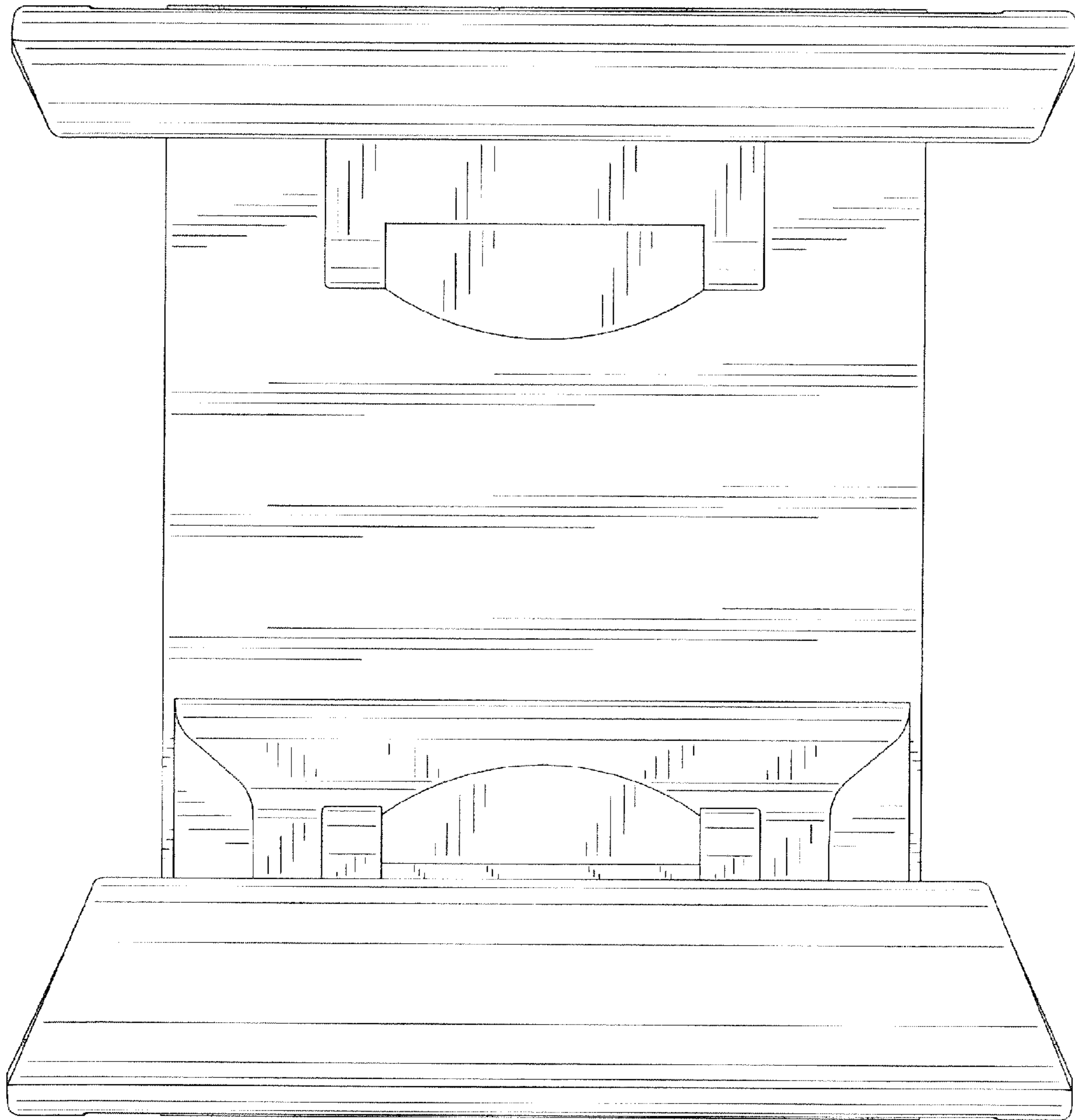


FIG. 6

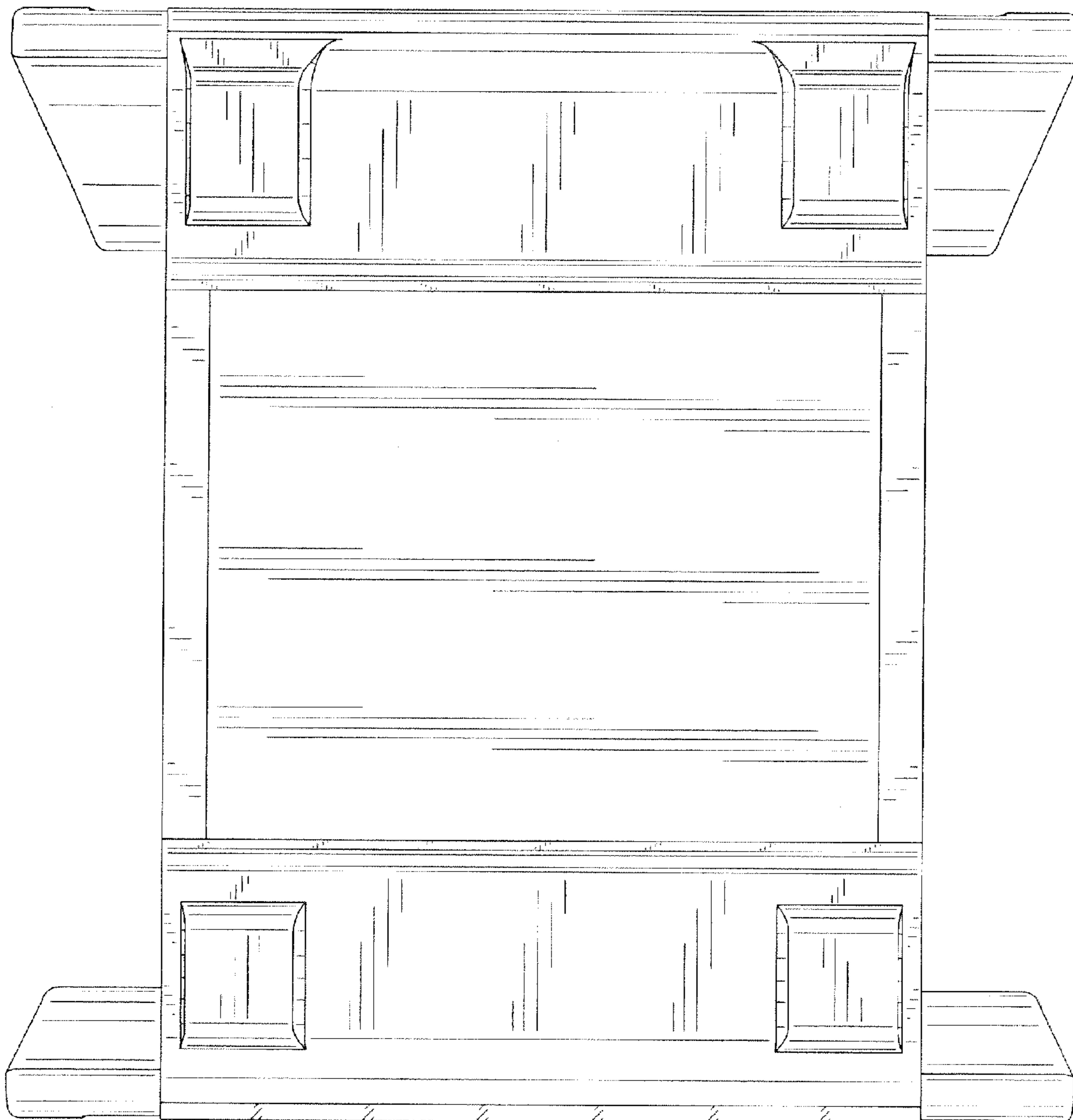


FIG. 7

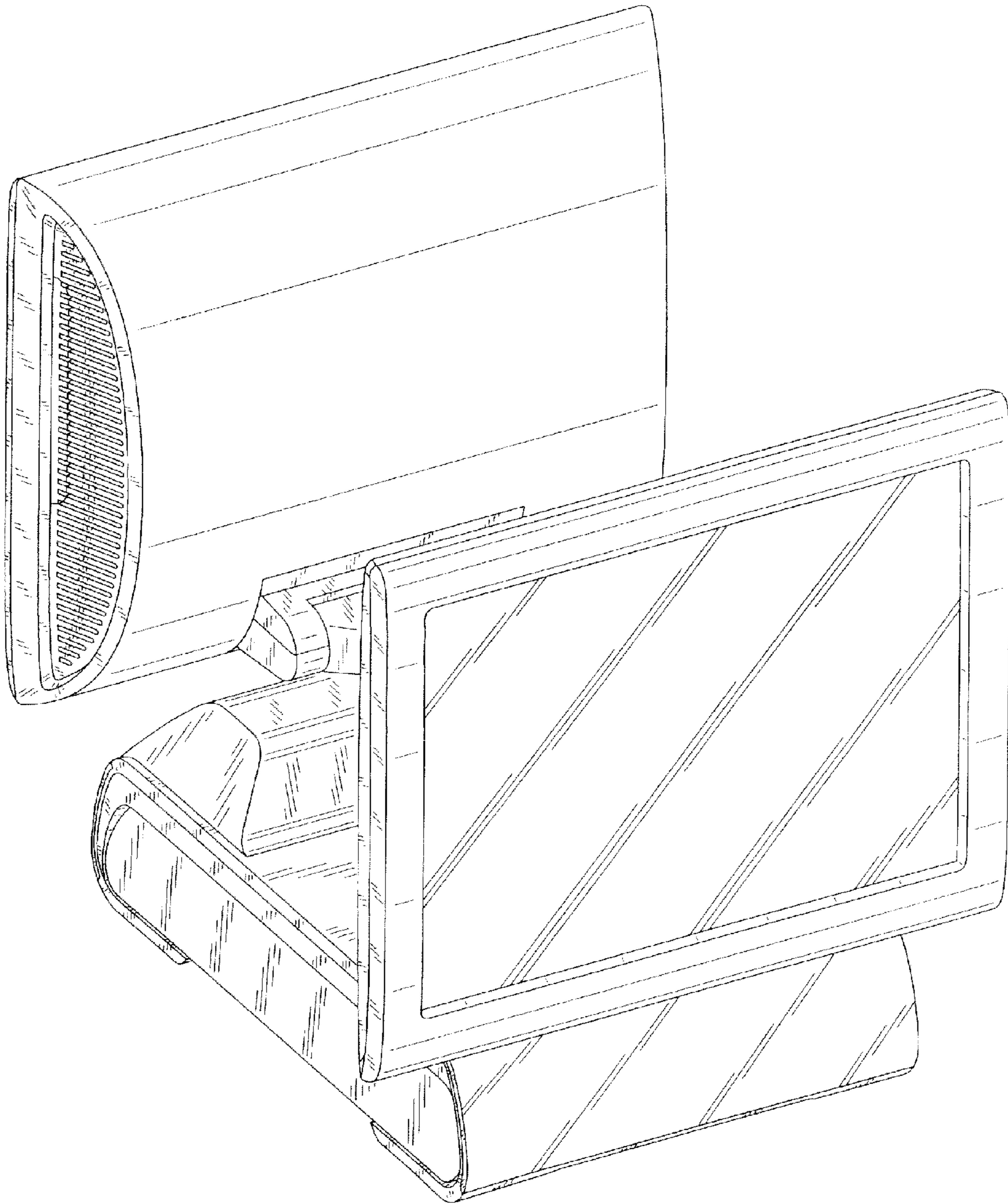


FIG. 8

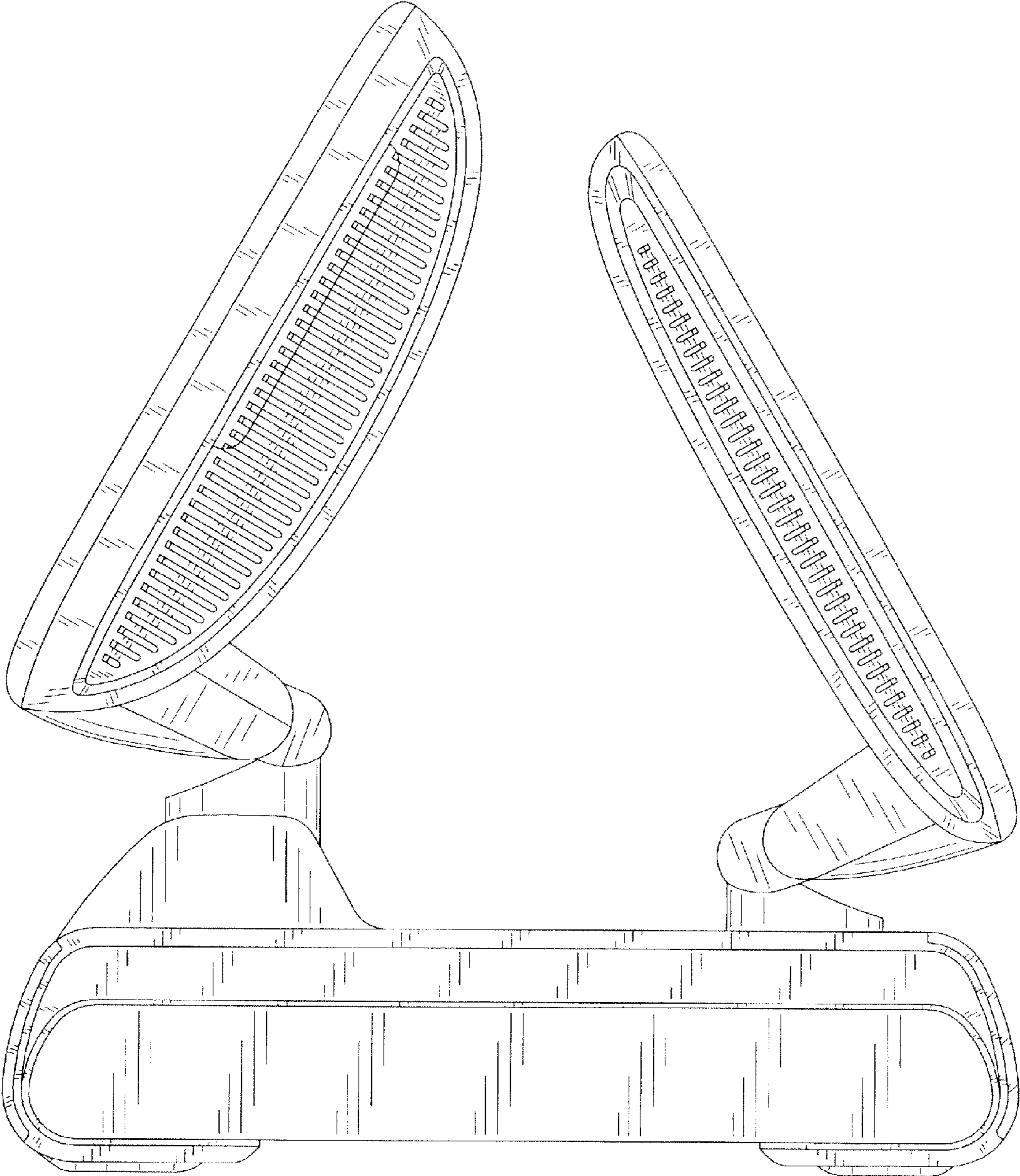


FIG. 9

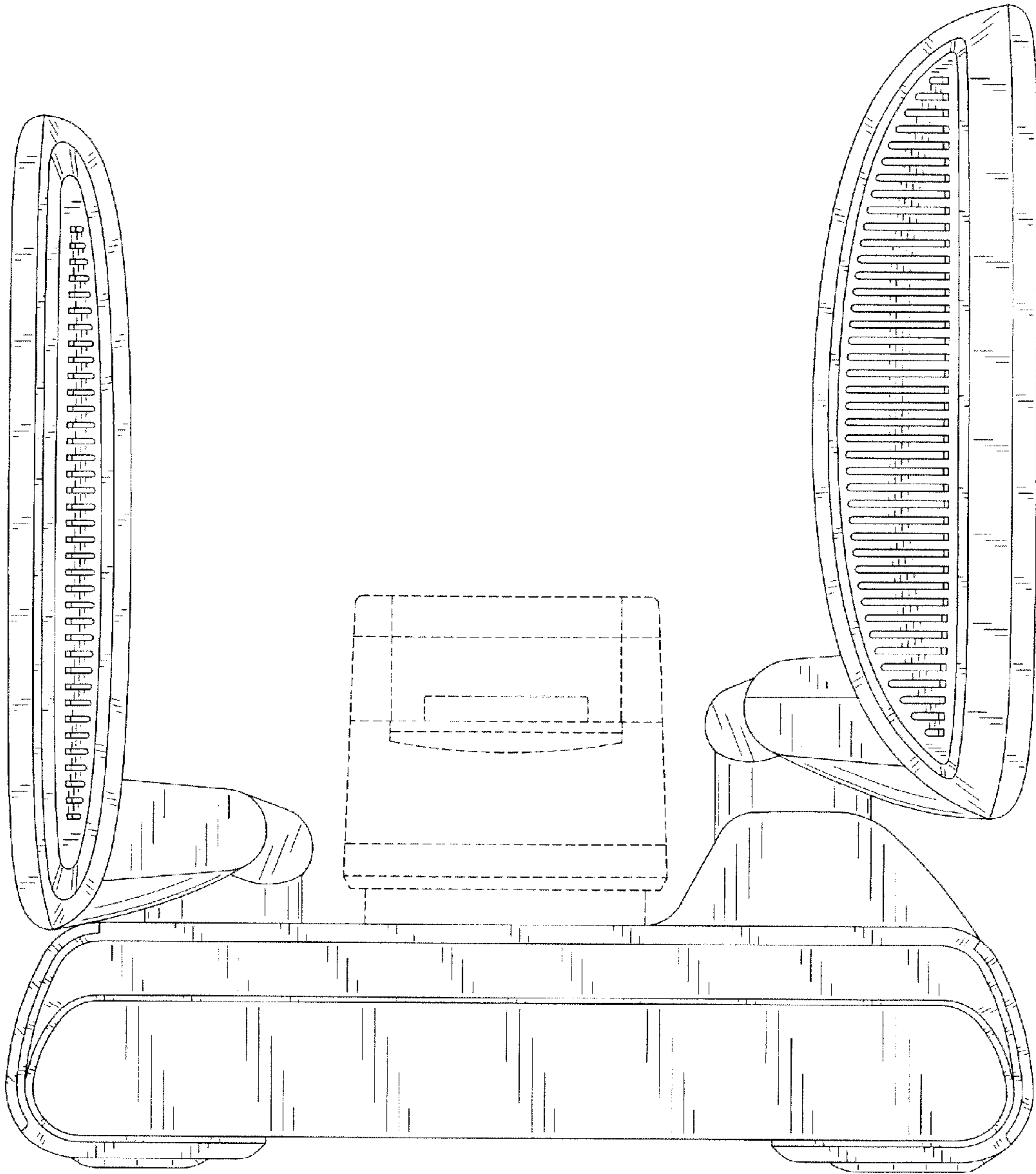


FIG. 10

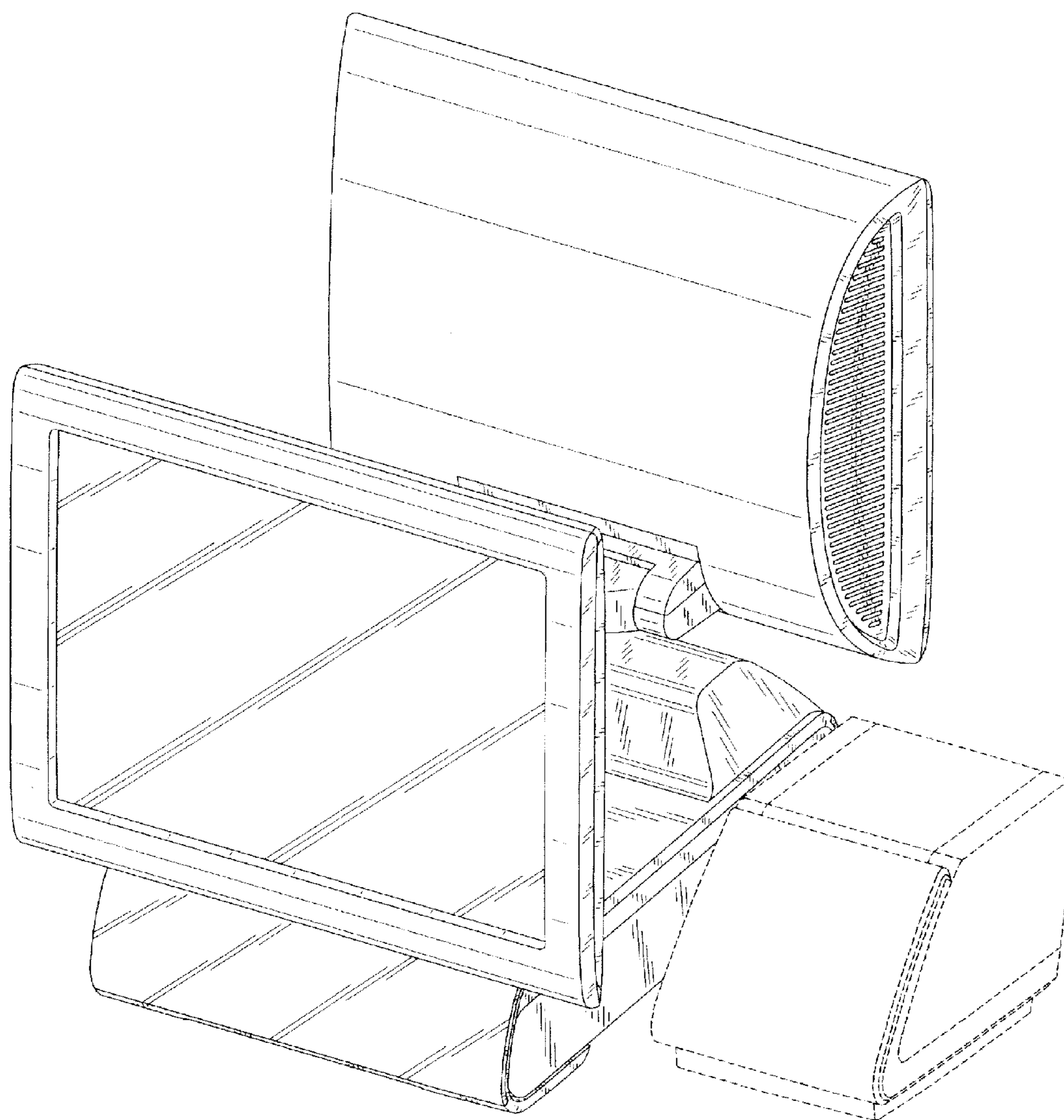


FIG. 11