



US00D598039S

(12) **United States Design Patent**
Owada

(10) **Patent No.:** **US D598,039 S**

(45) **Date of Patent:** **** Aug. 11, 2009**

(54) **LENS FOR MONITORING CAMERA**

(75) Inventor: **Takayasu Owada**, Kawasaki (JP)

(73) Assignee: **CBC Co., Ltd.** (JP)

(**) Term: **14 Years**

(21) Appl. No.: **29/308,778**

(22) Filed: **Jul. 3, 2008**

(51) **LOC (9) Cl.** **16-05**

(52) **U.S. Cl.** **D16/219; D16/134**

(58) **Field of Classification Search** D16/134,
D16/136, 202, 203, 205, 219, 237; 359/811,
359/815, 819, 826–828; 348/373–376; 396/529–532
See application file for complete search history.

(56) **References Cited**

U.S. PATENT DOCUMENTS

D235,034 S *	4/1975	Clegg	D16/134
D407,728 S *	4/1999	Miyamoto	D16/134
D432,153 S *	10/2000	Cooper et al.	D16/219
6,462,781 B1 *	10/2002	Arnold	348/373
D489,743 S *	5/2004	Owada	D16/203
7,064,910 B2 *	6/2006	Lee et al.	359/819
D572,291 S *	7/2008	Aiba	D16/219
2005/0018319 A1 *	1/2005	Yano	359/819
2007/0091475 A1 *	4/2007	Shirakata	359/819

* cited by examiner

Primary Examiner—Adir Aronovich

(74) *Attorney, Agent, or Firm*—Harness, Dickey & Pierce, P.L.C.

(57) **CLAIM**

The ornamental design for a lens for monitoring camera, as shown and described.

DESCRIPTION

FIG. 1 is a front, top and right side perspective view of a lens for monitoring camera, showing my new design;

FIG. 2 is a front, bottom and right side perspective view thereof;

FIG. 3 is a front, top and left side perspective view thereof;

FIG. 4 is a front, bottom and left side perspective view thereof;

FIG. 5 is a rear, top and right side perspective view thereof;

FIG. 6 is a rear, bottom and right side perspective view thereof;

FIG. 7 is a rear, top and left side perspective view thereof;

FIG. 8 is a rear, bottom and left side perspective view thereof;

FIG. 9 is a front elevational view thereof;

FIG. 10 is a rear elevational view thereof;

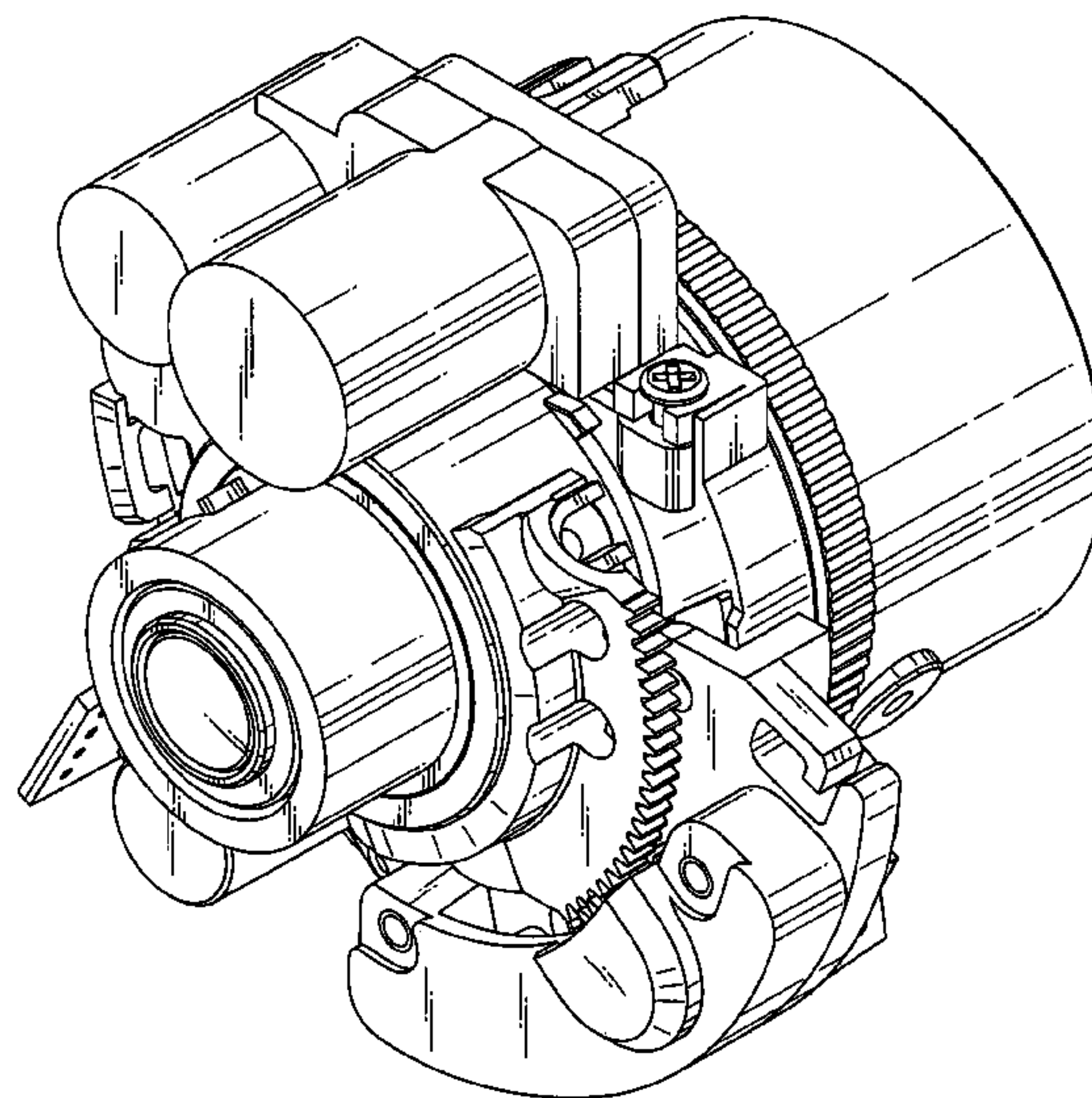
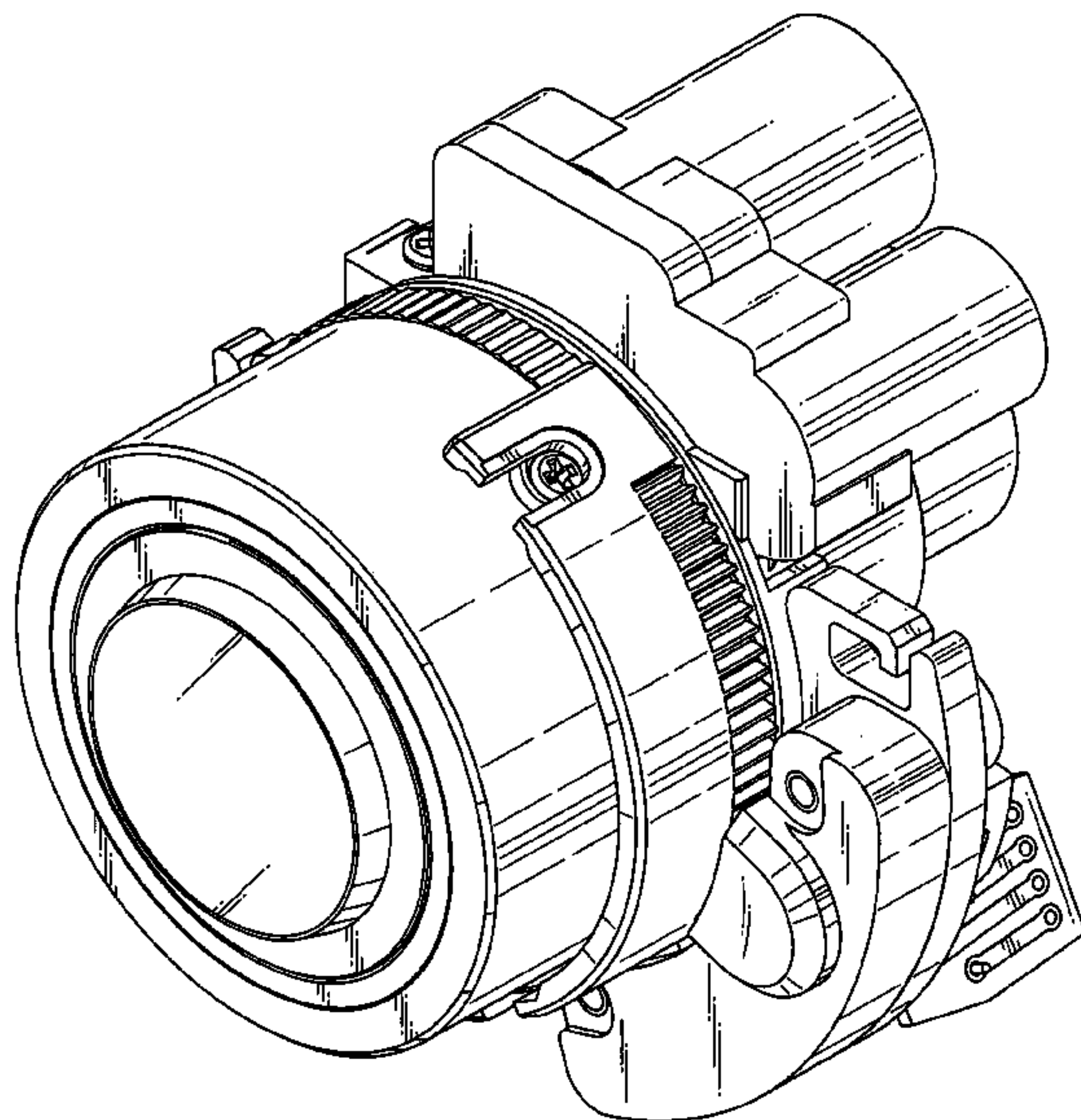
FIG. 11 is a top plan view thereof;

Fig. 12 is a bottom plan view thereof;

FIG. 13 is a right side elevational view thereof; and,

FIG. 14 is a left side elevational view thereof.

1 Claim, 14 Drawing Sheets



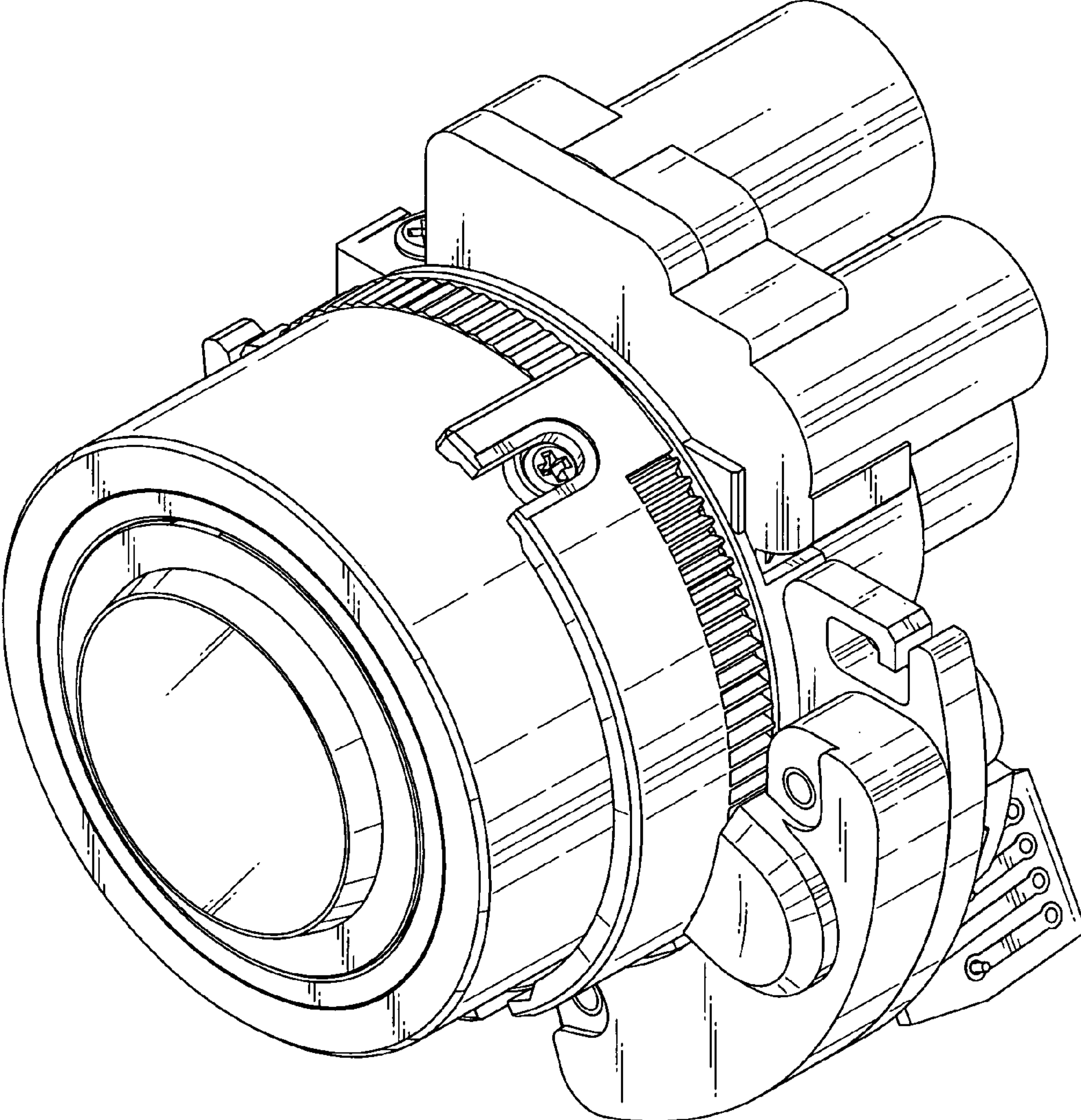


FIG. 1

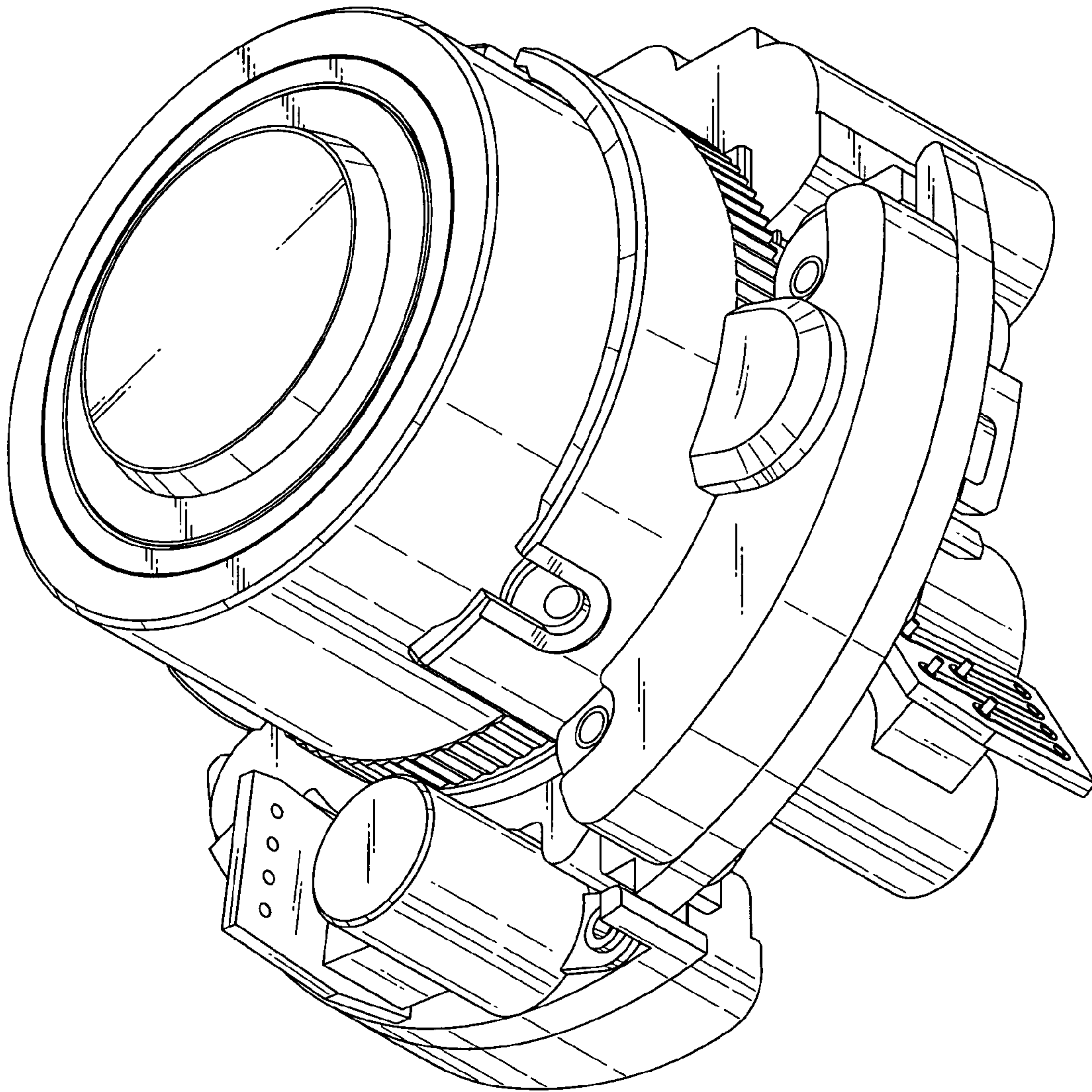


FIG.2

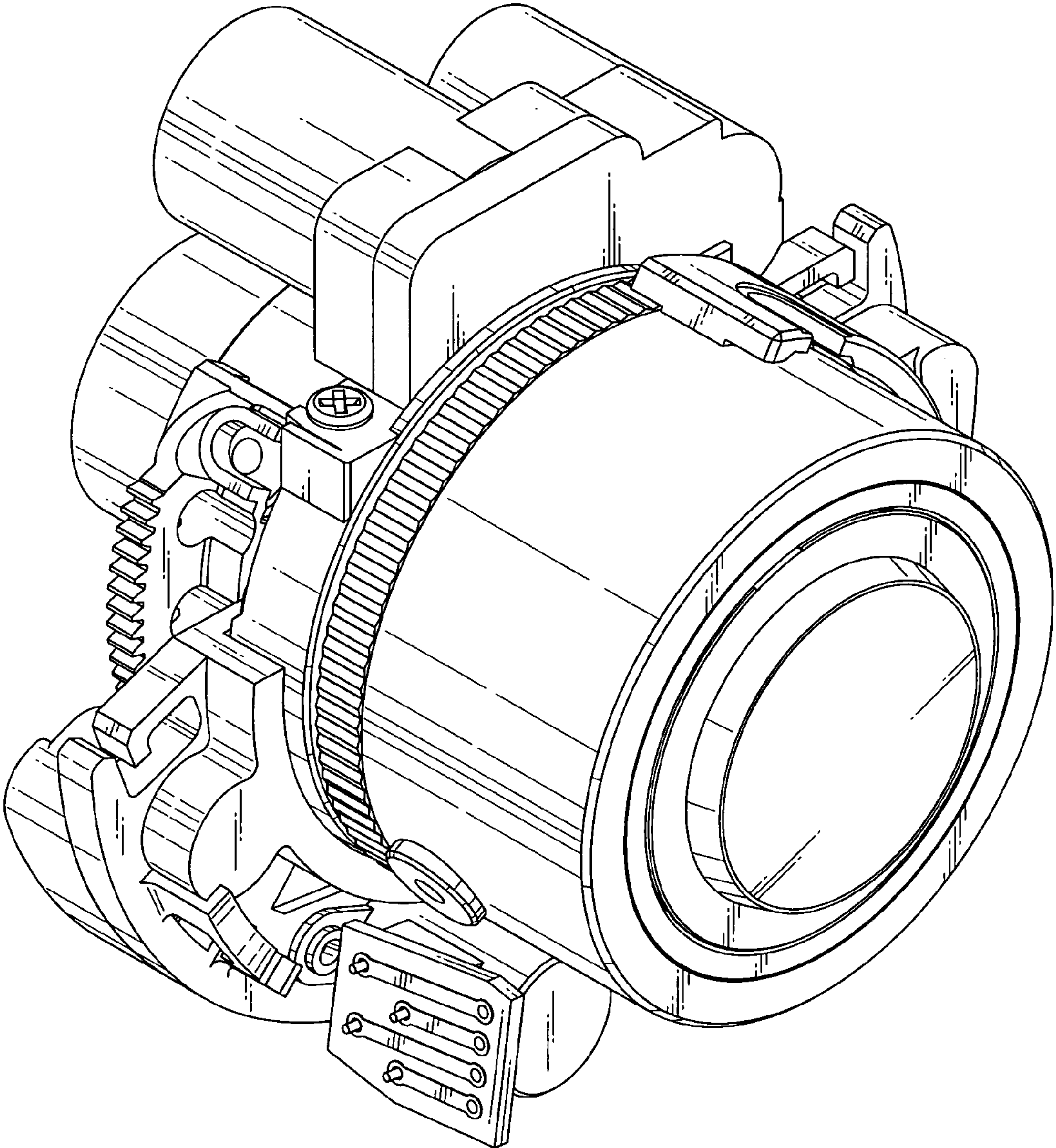


FIG.3

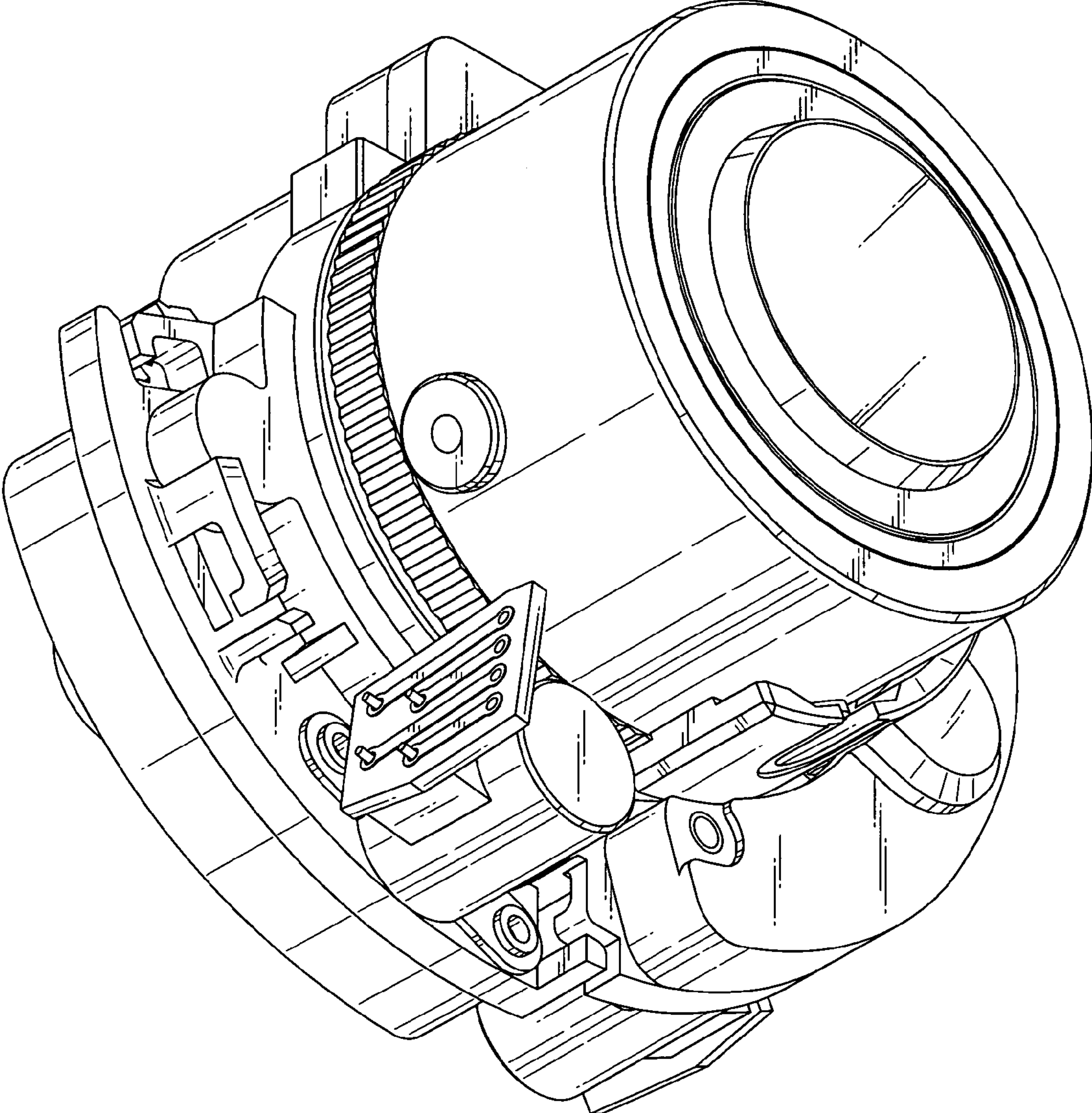


FIG.4

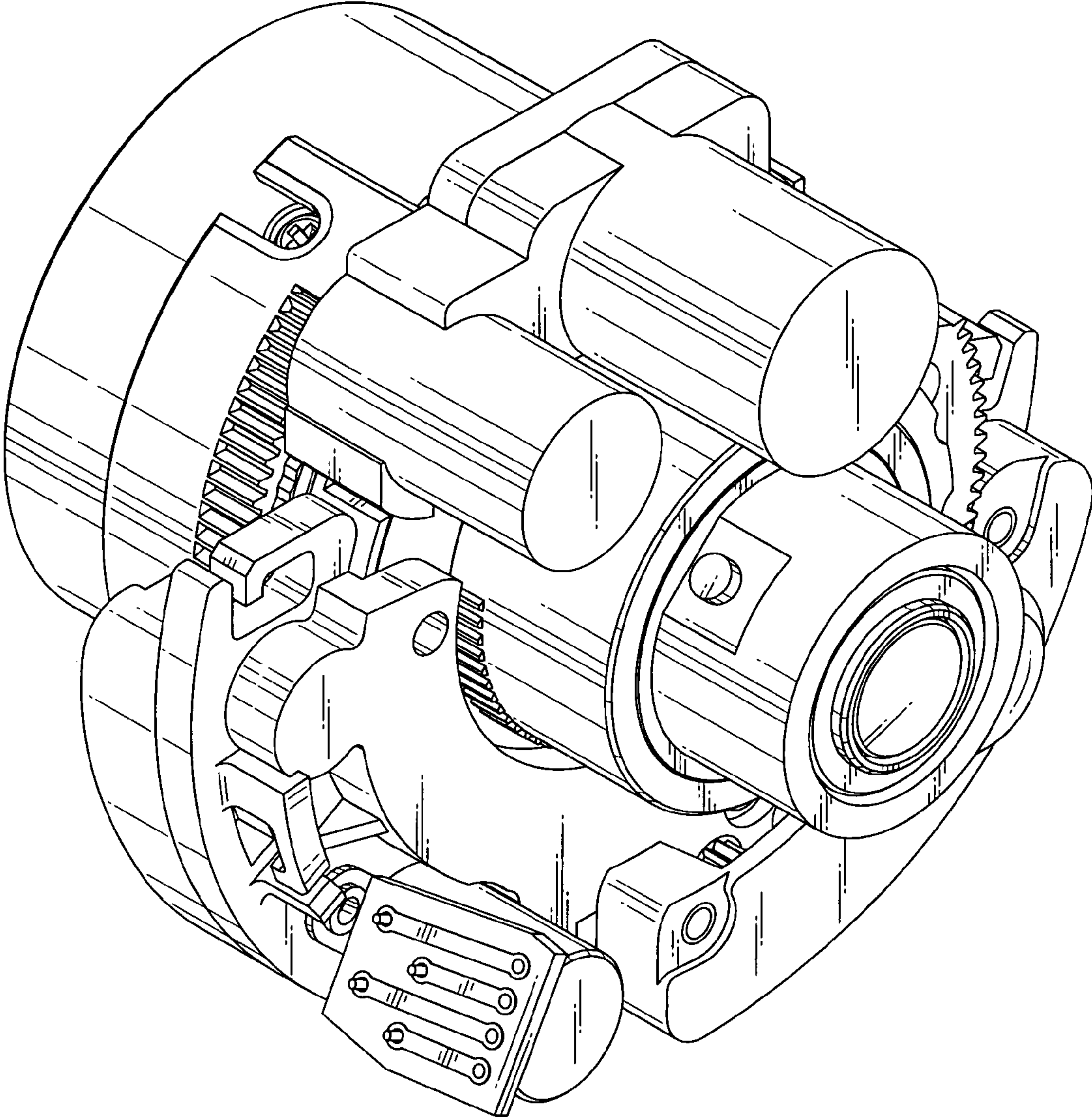


FIG. 5

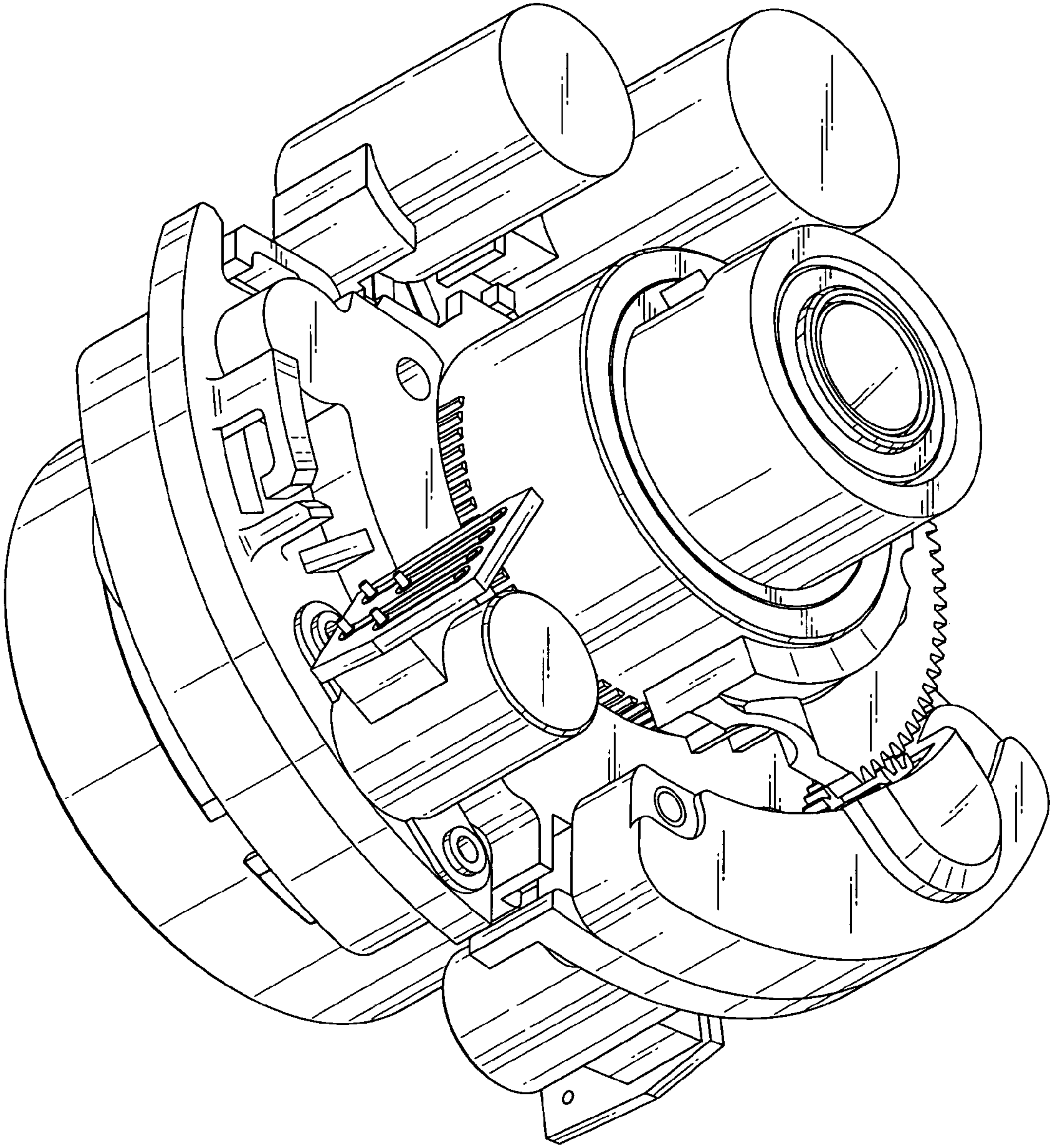


FIG.6

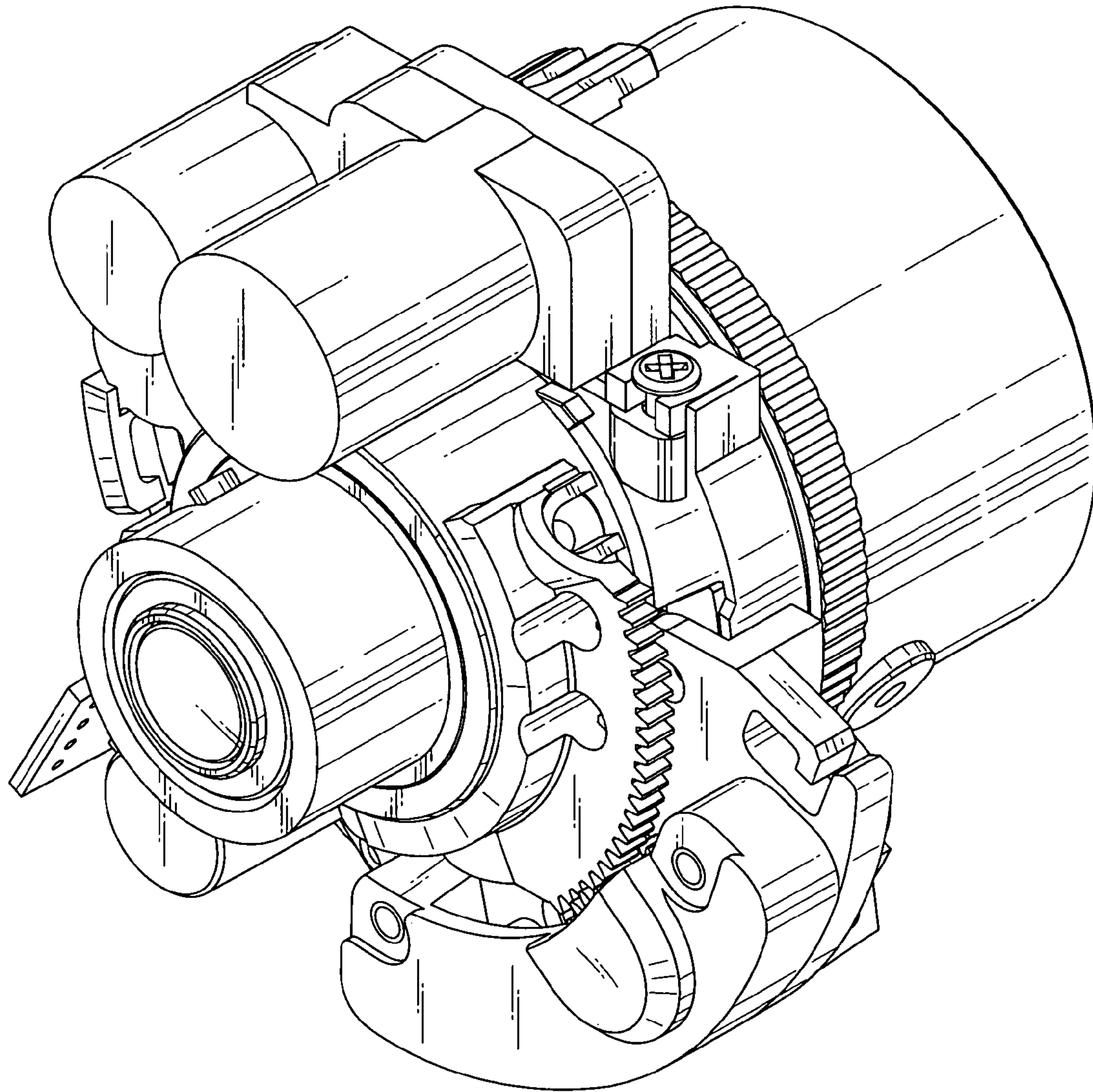


FIG. 7

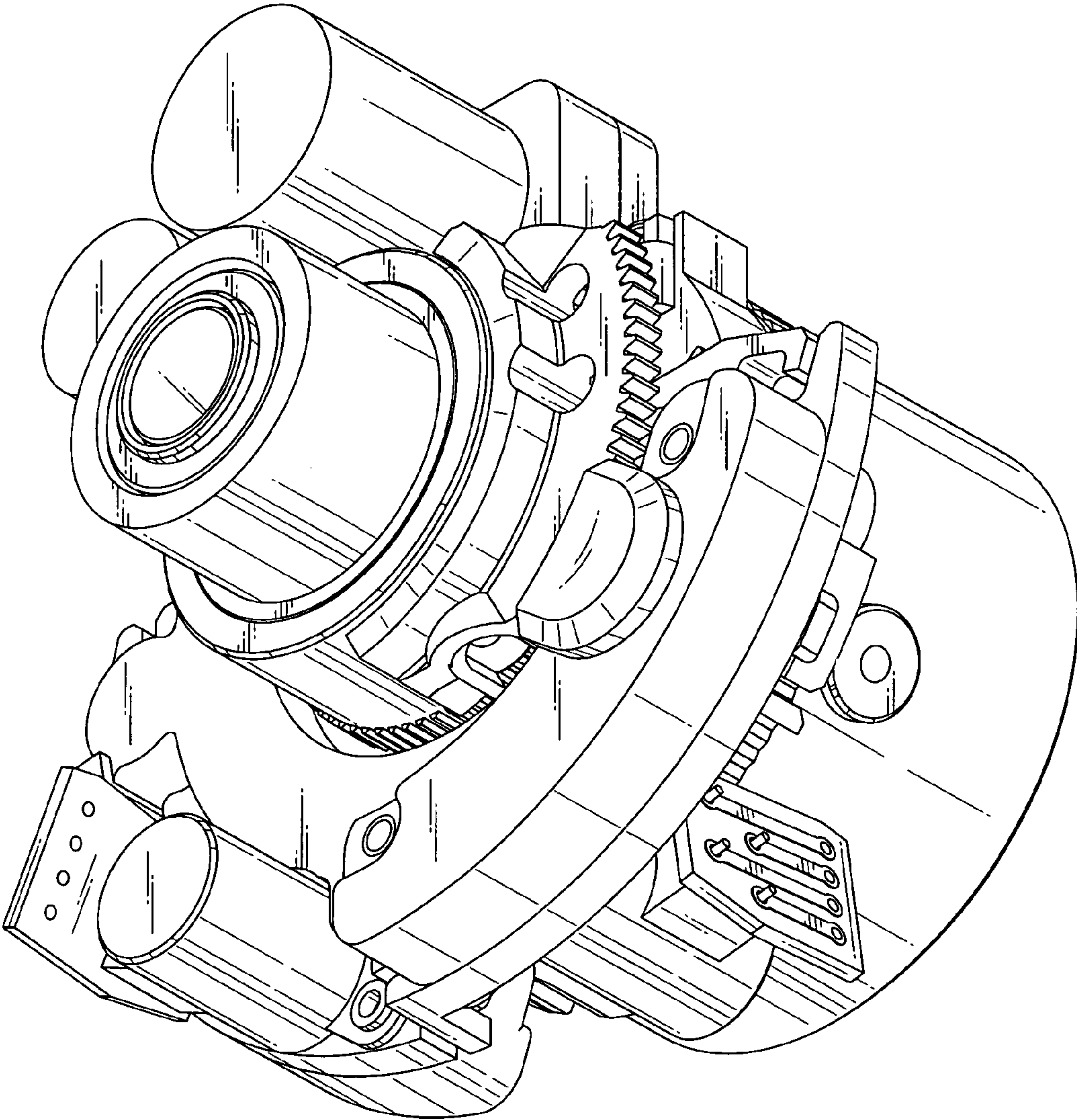


FIG.8

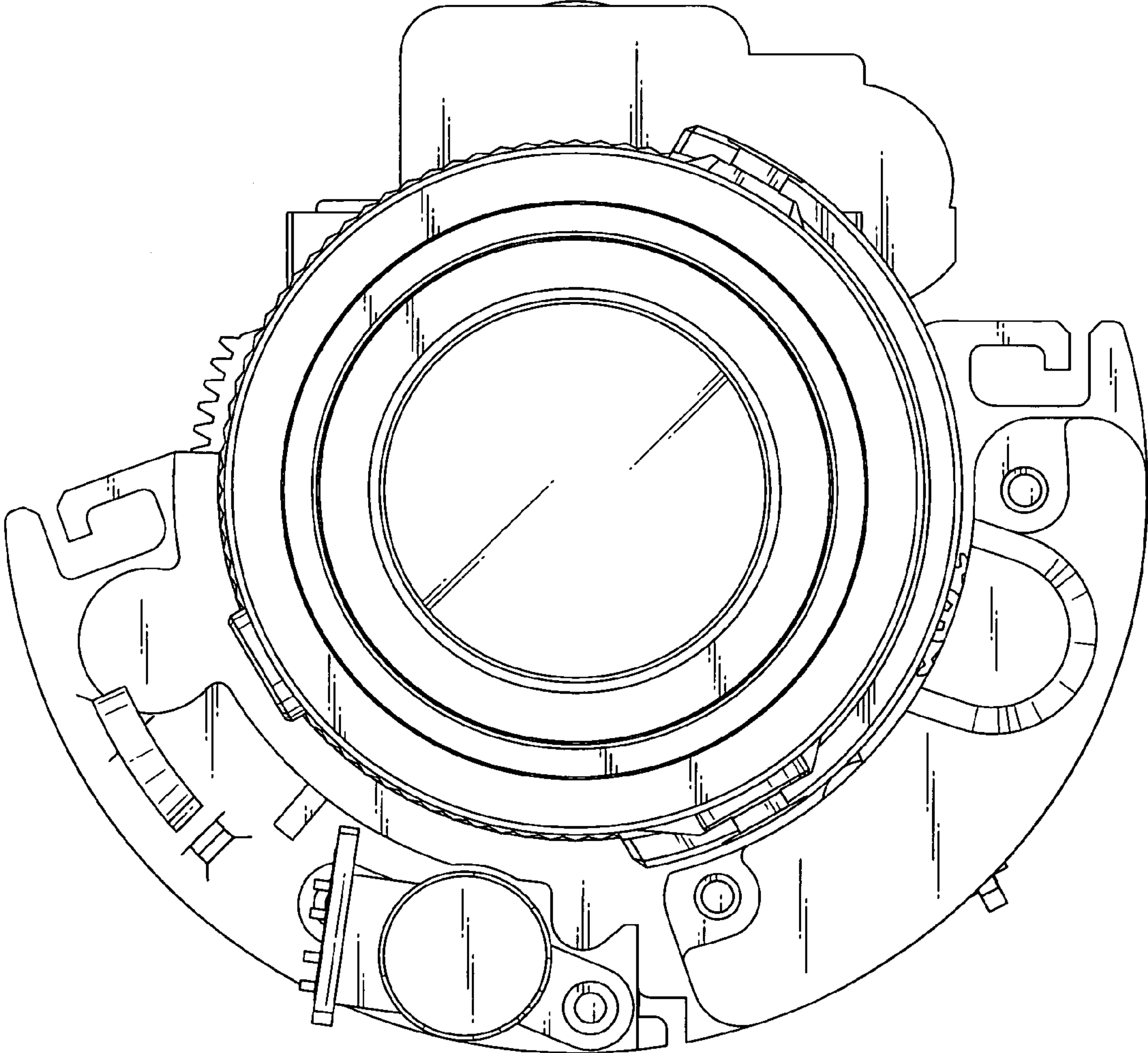


FIG.9

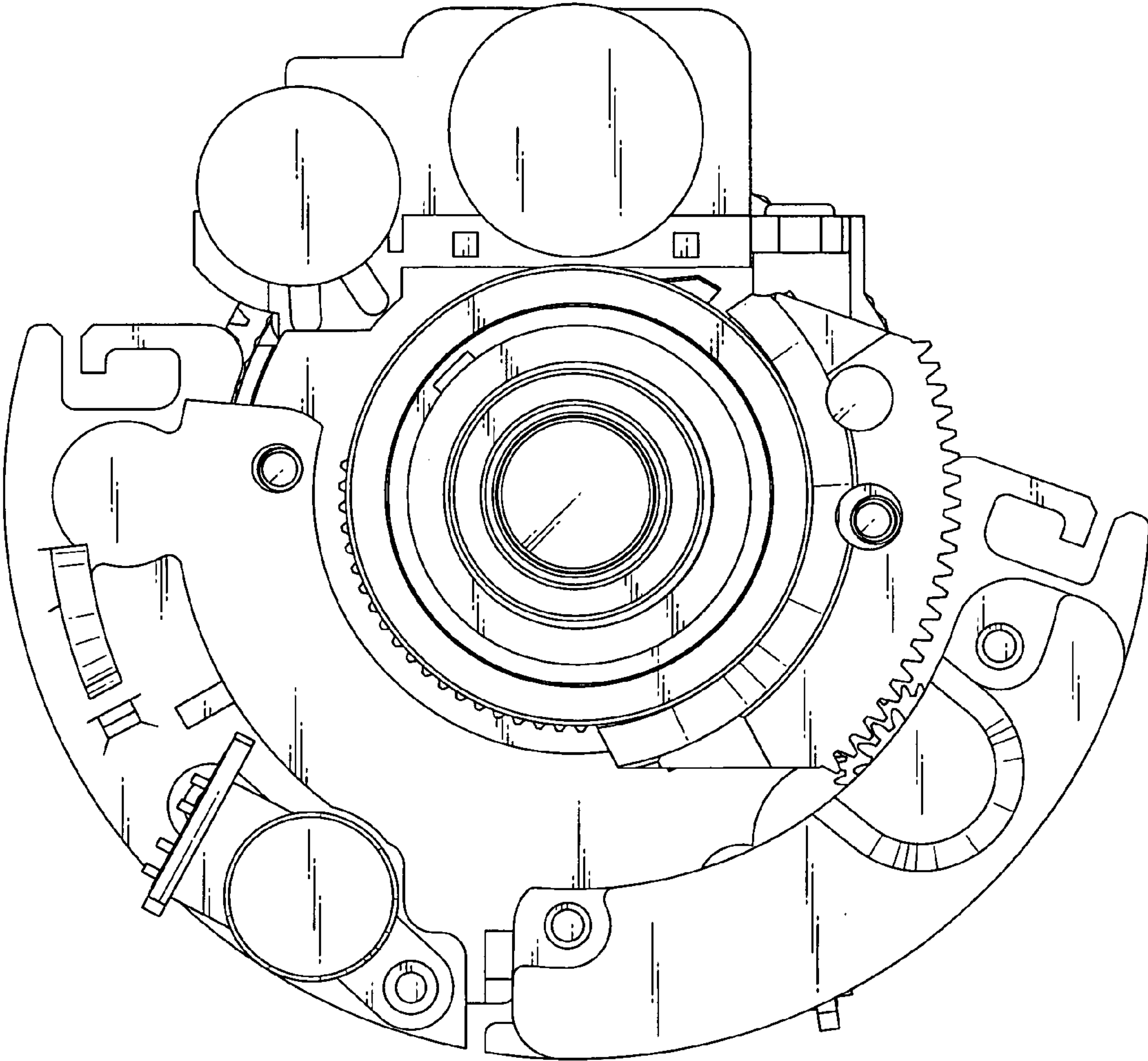


FIG.10

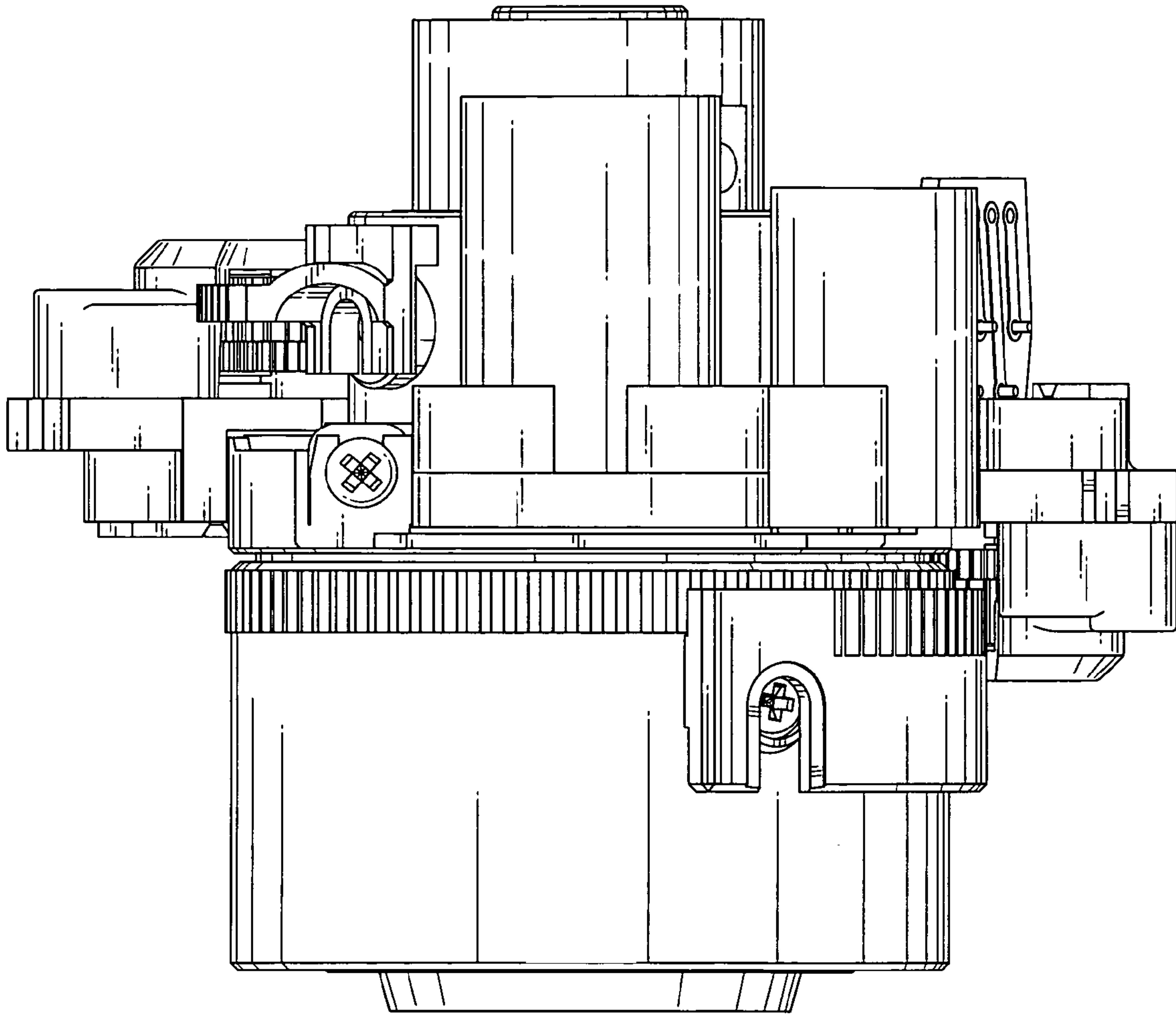


FIG.11

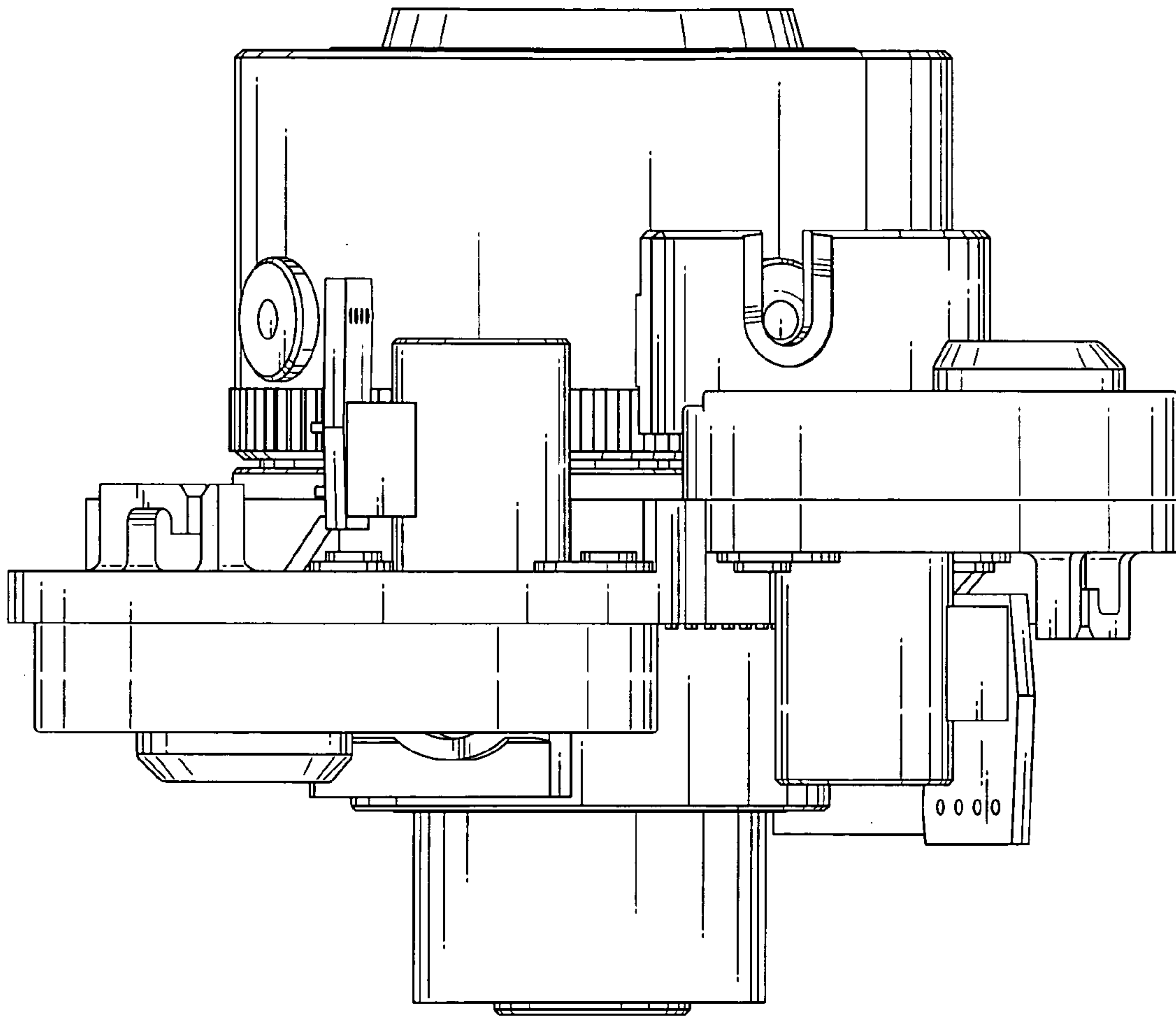


FIG.12

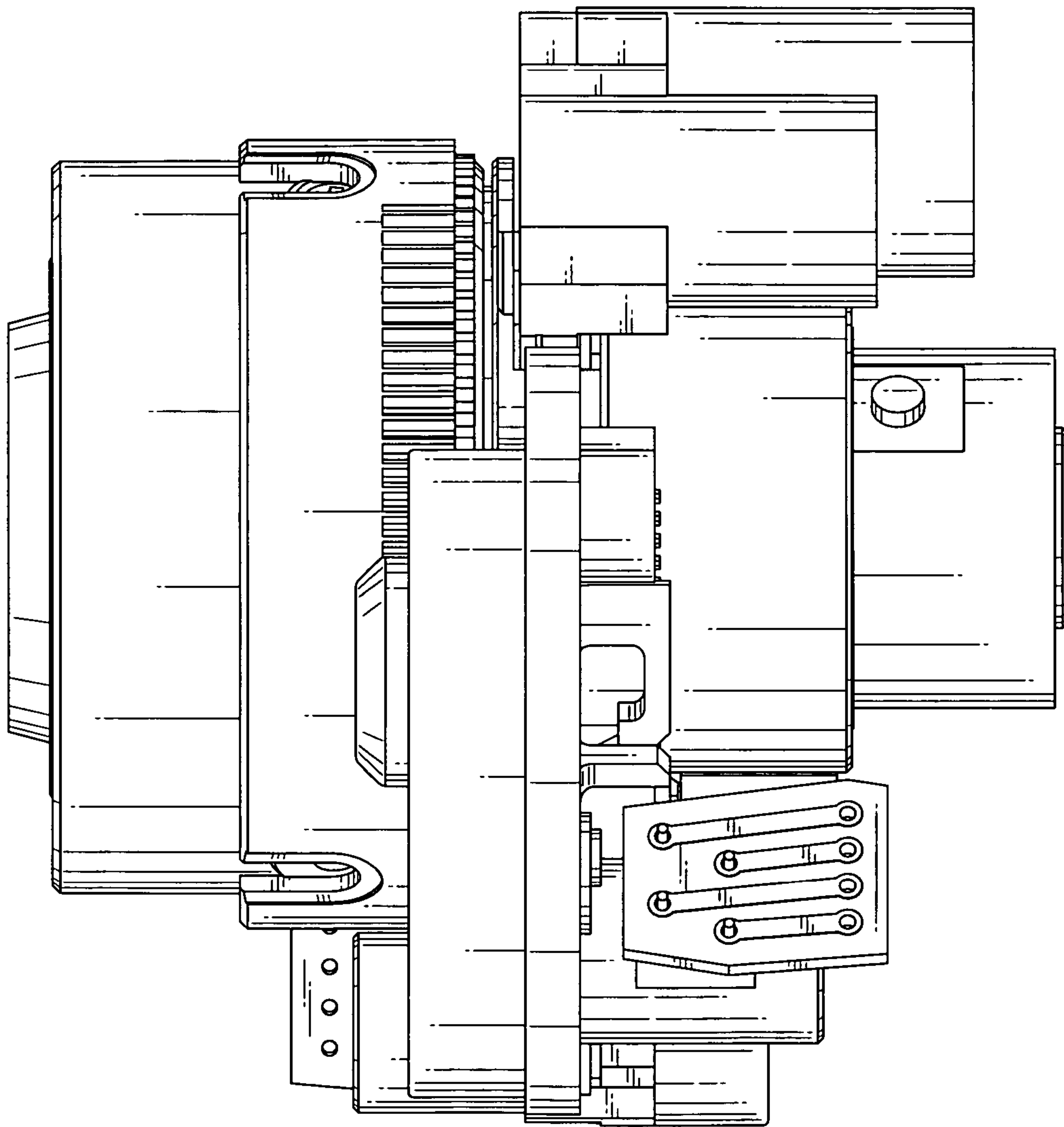


FIG.13

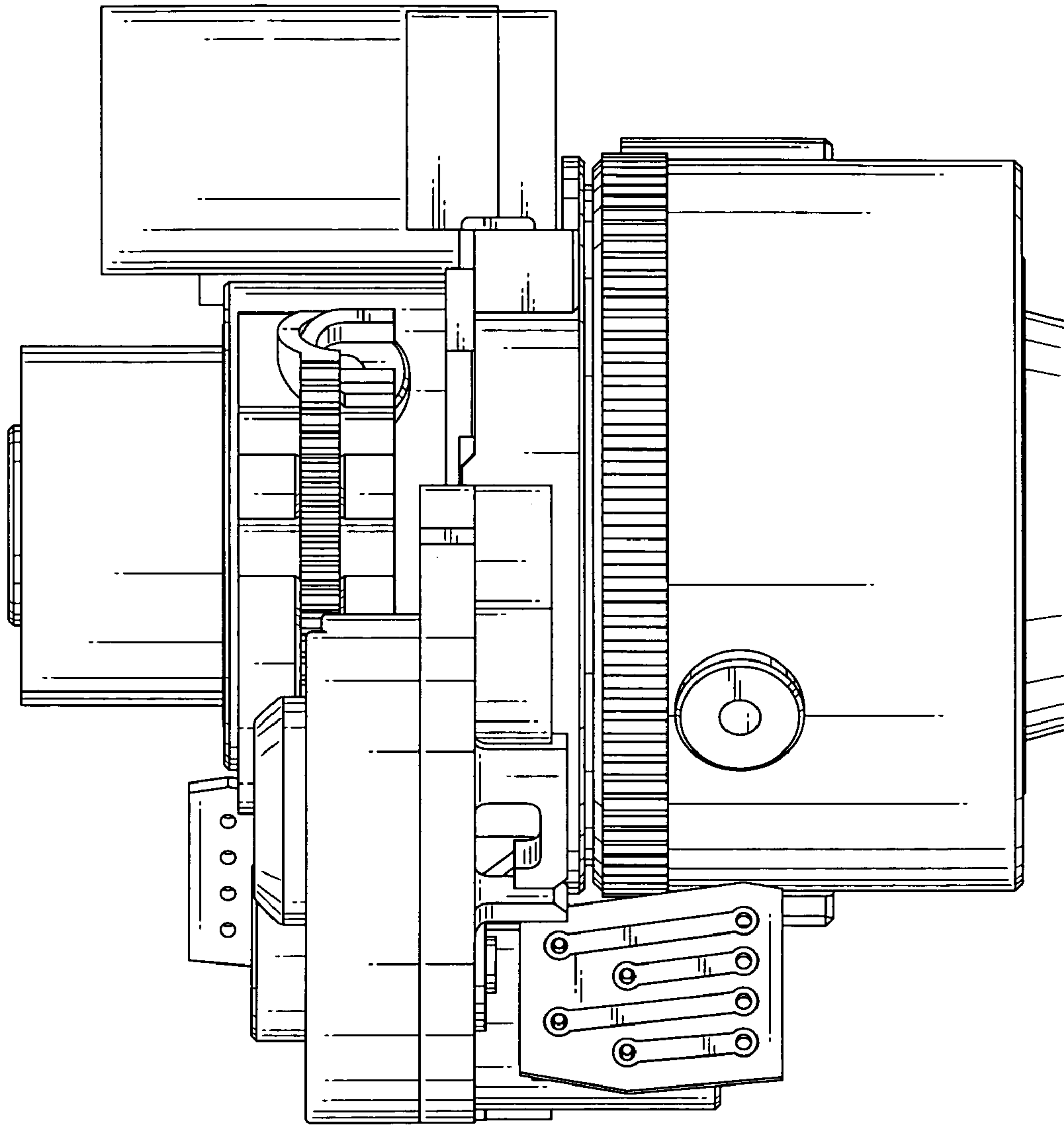


FIG. 14