



US00D598037S

(12) **United States Design Patent**  
**Lee**

(10) **Patent No.:** **US D598,037 S**

(45) **Date of Patent:** **\*\* Aug. 11, 2009**

(54) **DIGITAL CAMERA**

(75) Inventor: **Soo-jung Lee**, Seoul (KR)

(73) Assignee: **Samsung Techwin Co., Ltd.**, Changwon (KR)

(\*\*) Term: **14 Years**

(21) Appl. No.: **29/312,272**

(22) Filed: **Oct. 10, 2008**

(30) **Foreign Application Priority Data**

Apr. 18, 2008 (JP) ..... 30-2008-0016726

(51) **LOC (9) Cl.** ..... **16-01**

(52) **U.S. Cl.** ..... **D16/212; D16/202**

(58) **Field of Classification Search** ..... D16/200–204,  
D16/212, 218; 348/373–376; 358/909.1;  
396/349, 448, 535–541

See application file for complete search history.

(56) **References Cited**

**U.S. PATENT DOCUMENTS**

6,347,893	B1 *	2/2002	Shiono et al.	.....	396/448
6,398,426	B1 *	6/2002	Takanashi	.....	396/448
6,422,767	B1 *	7/2002	Shiono et al.	.....	396/349
D532,434	S *	11/2006	Horikiri	.....	D16/212
D561,221	S *	2/2008	Ogura et al.	.....	D16/202
D567,836	S *	4/2008	Sato	.....	D16/212
7,403,706	B2 *	7/2008	Nakao et al.	.....	396/448

\* cited by examiner

*Primary Examiner*—Adir Aronovich

(74) *Attorney, Agent, or Firm*—Drinker Biddle & Reath LLP

(57) **CLAIM**

The ornamental design for a digital camera, as shown and described.

**DESCRIPTION**

FIG. 1 is a front perspective view of a digital camera showing my new design;

FIG. 2 is a front elevational view of the digital camera;

FIG. 3 is a rear elevational view of the digital camera;

FIG. 4 is a left side elevational view of the digital camera;

FIG. 5 is a right side elevational view of the digital camera;

FIG. 6 is a top plan view of the digital camera;

FIG. 7 is a bottom plan view of the digital camera;

FIG. 8 is a front perspective view of the digital camera with its sliding cover closed; and,

FIG. 9 is a front elevation view of the digital camera with its sliding cover closed.

The portions of the digital camera in broken lines are shown for illustrative purposes only and form no part of the claimed design.

**1 Claim, 6 Drawing Sheets**

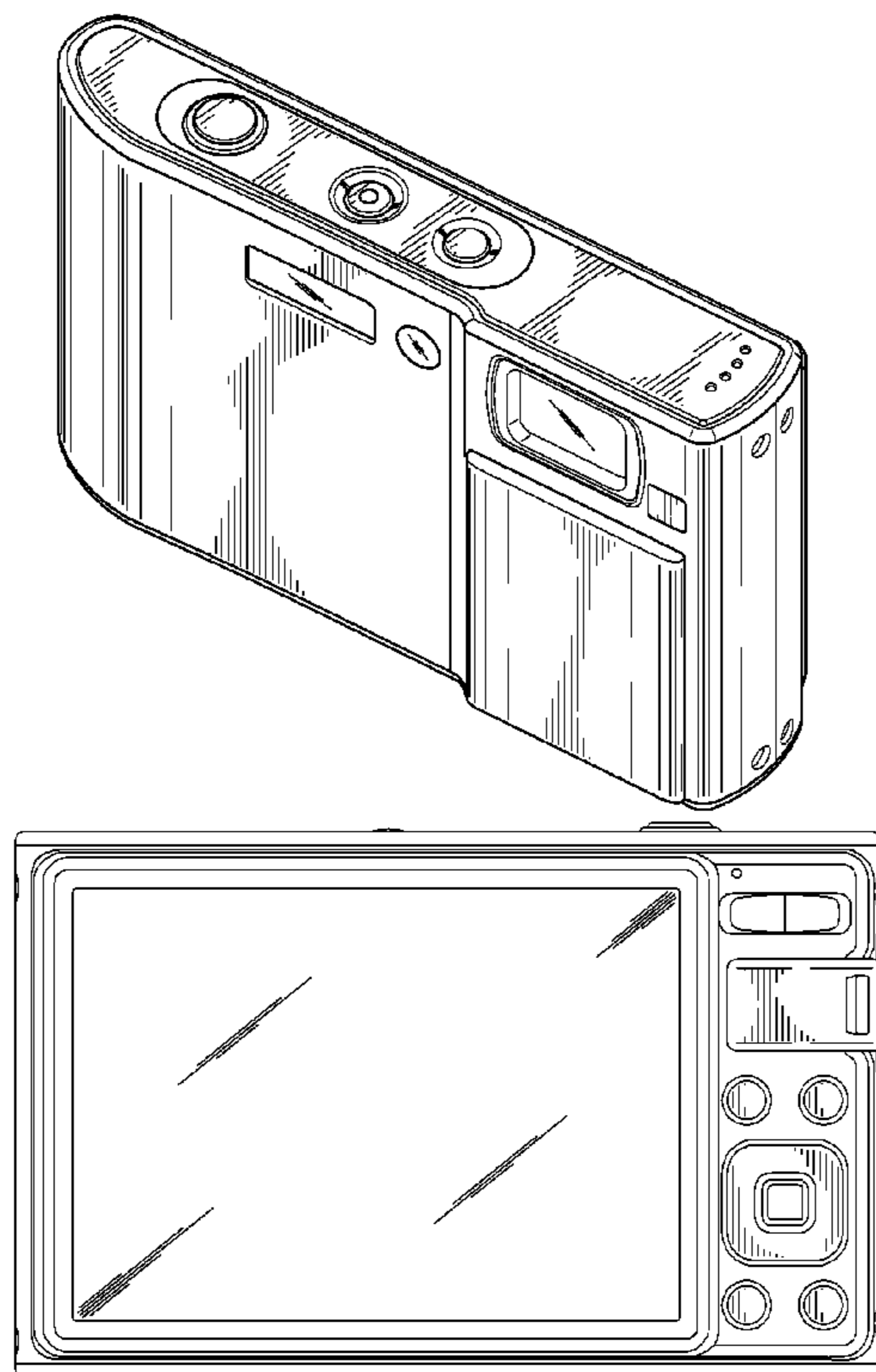


FIG. 1

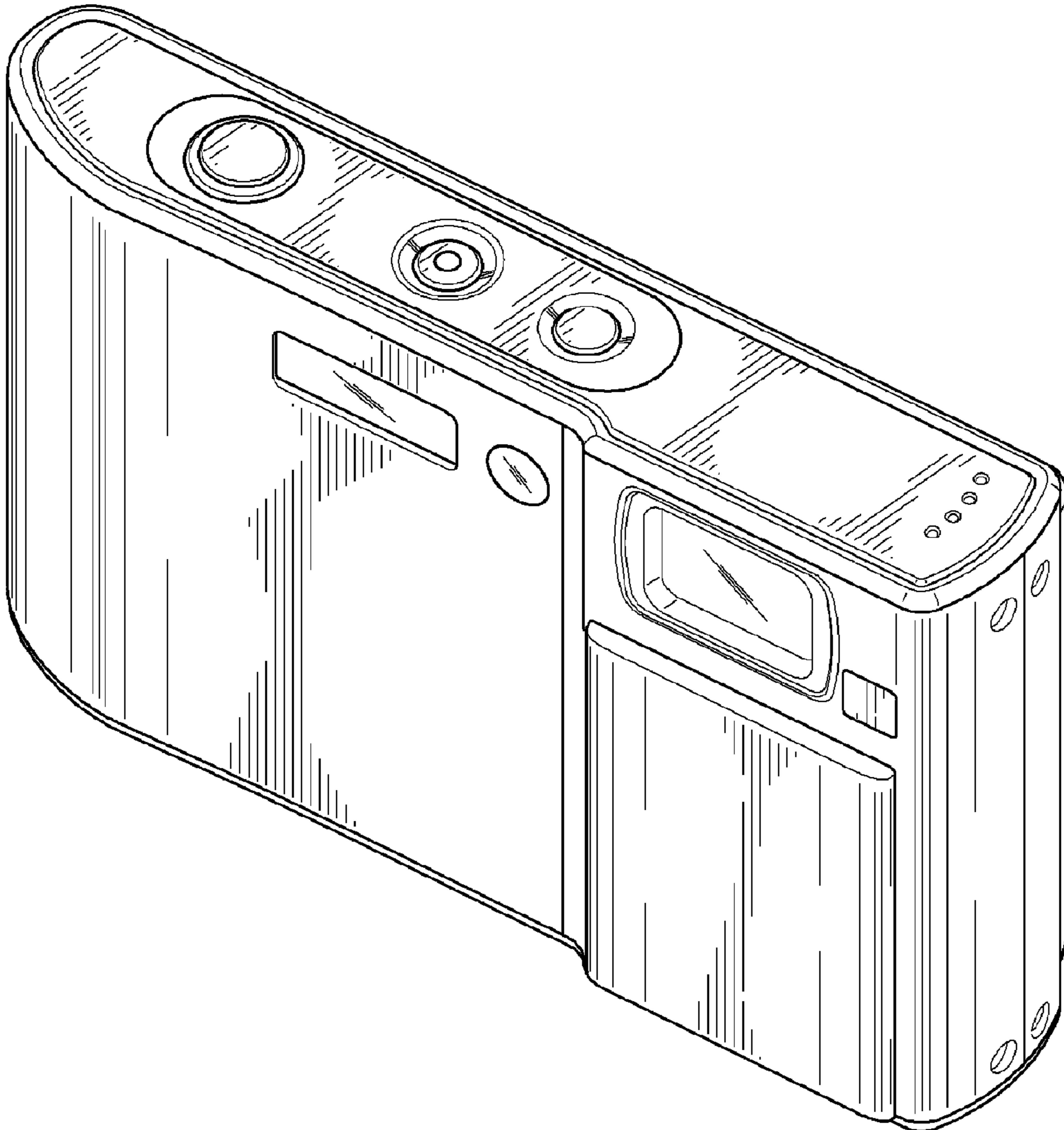


FIG. 2

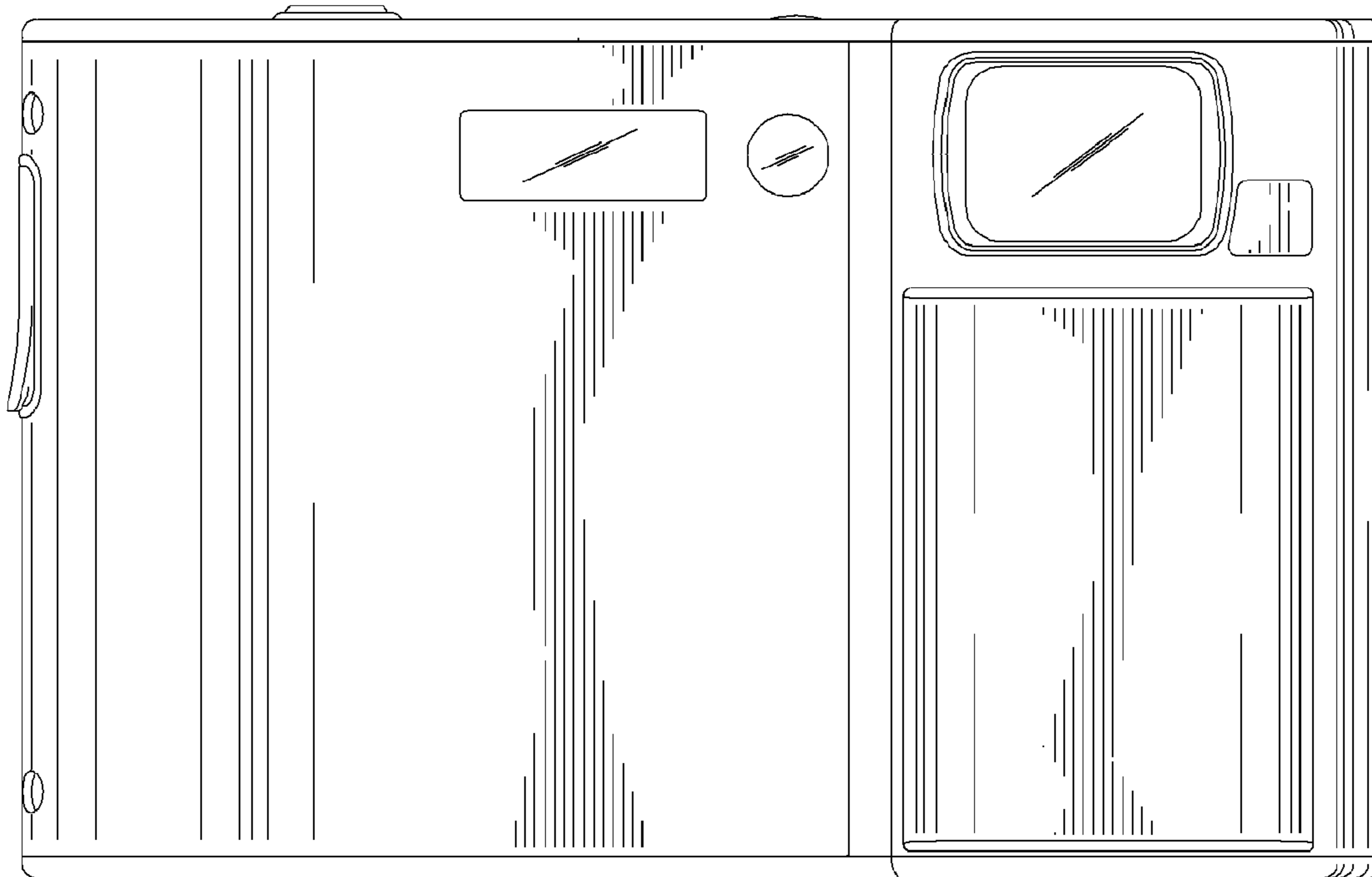


FIG. 3

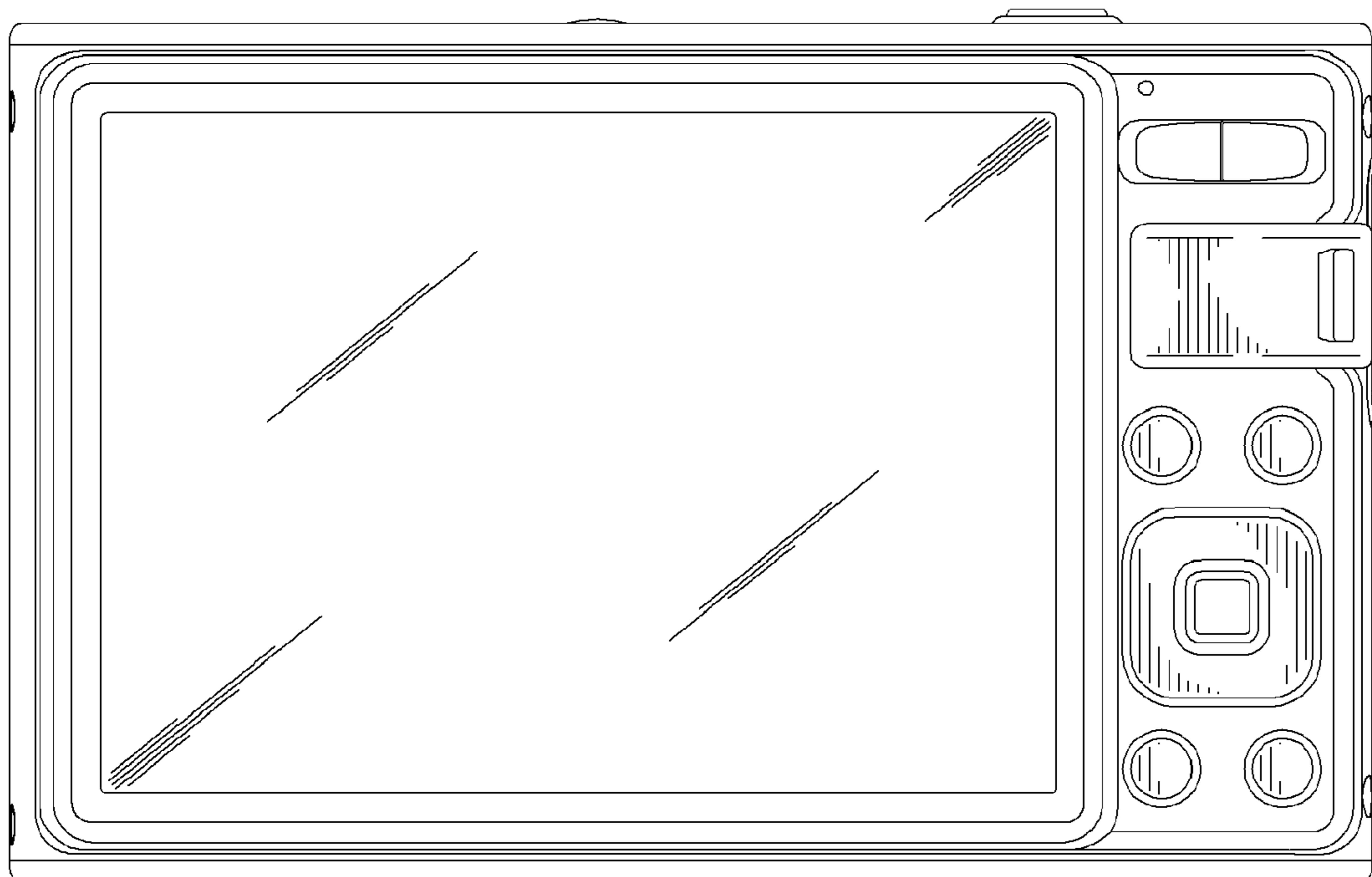


FIG. 4

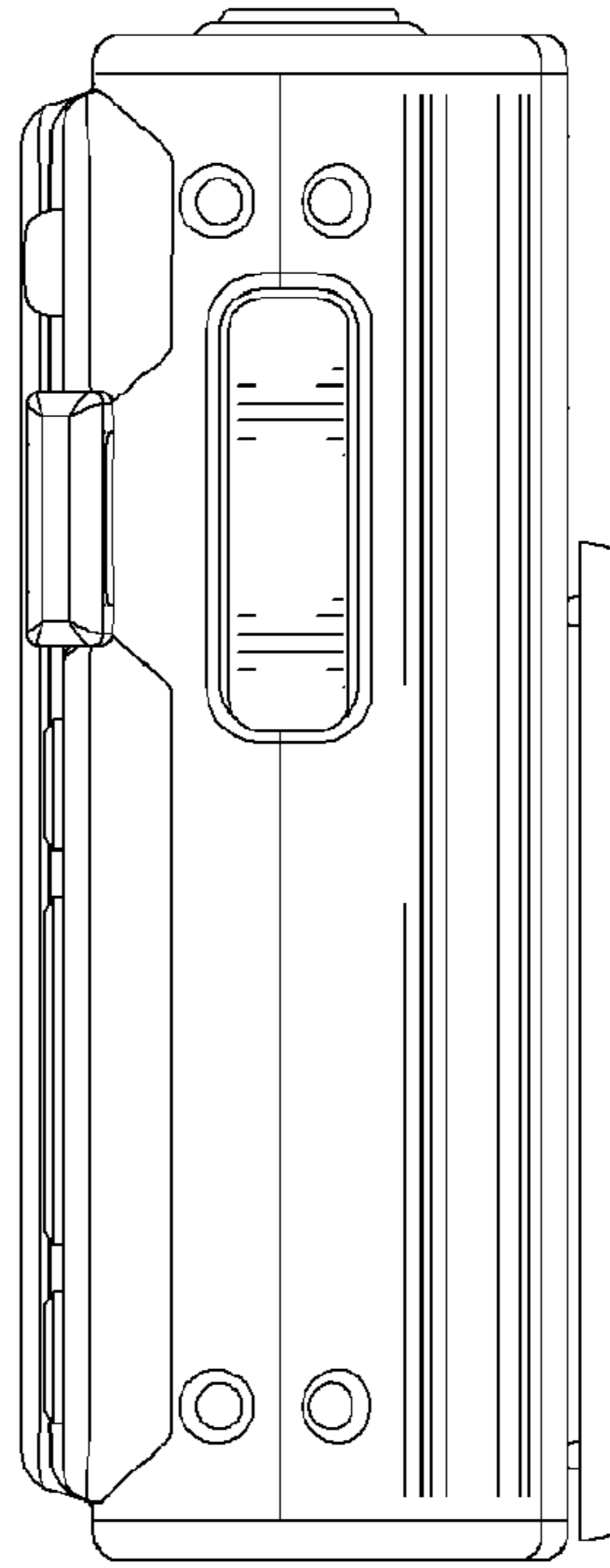


FIG. 5

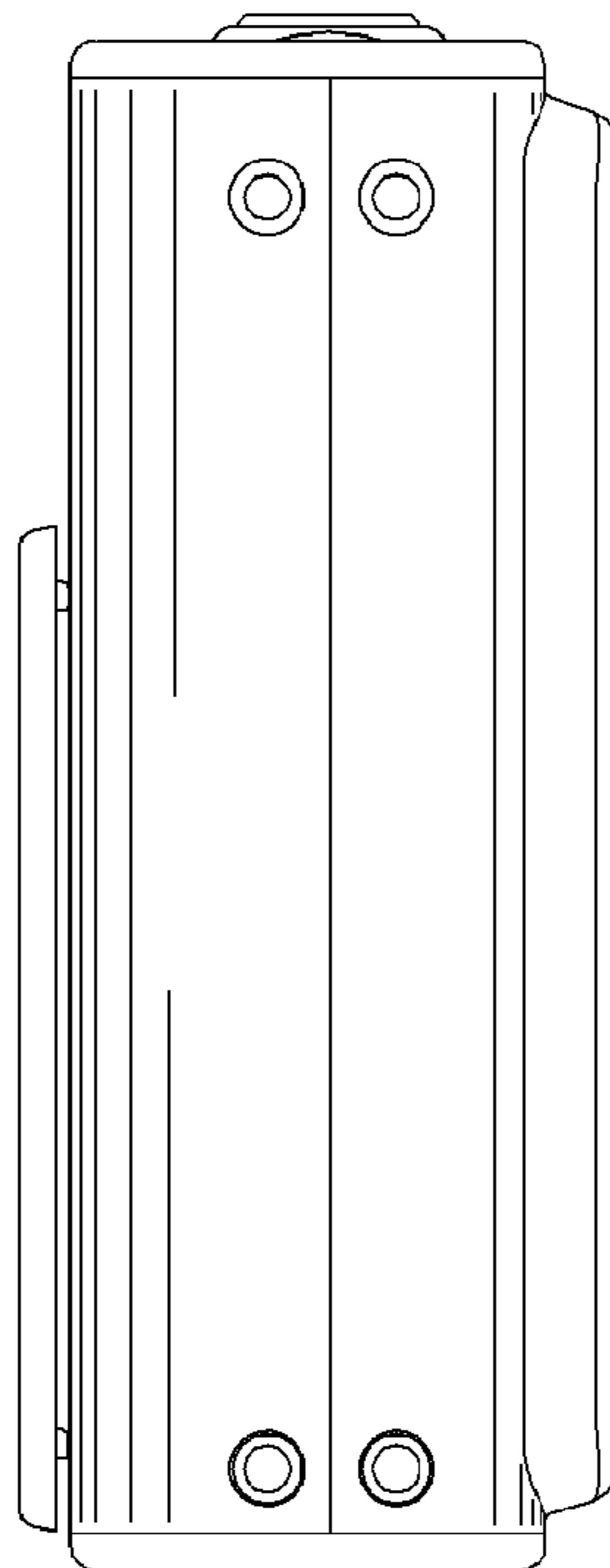


FIG. 6

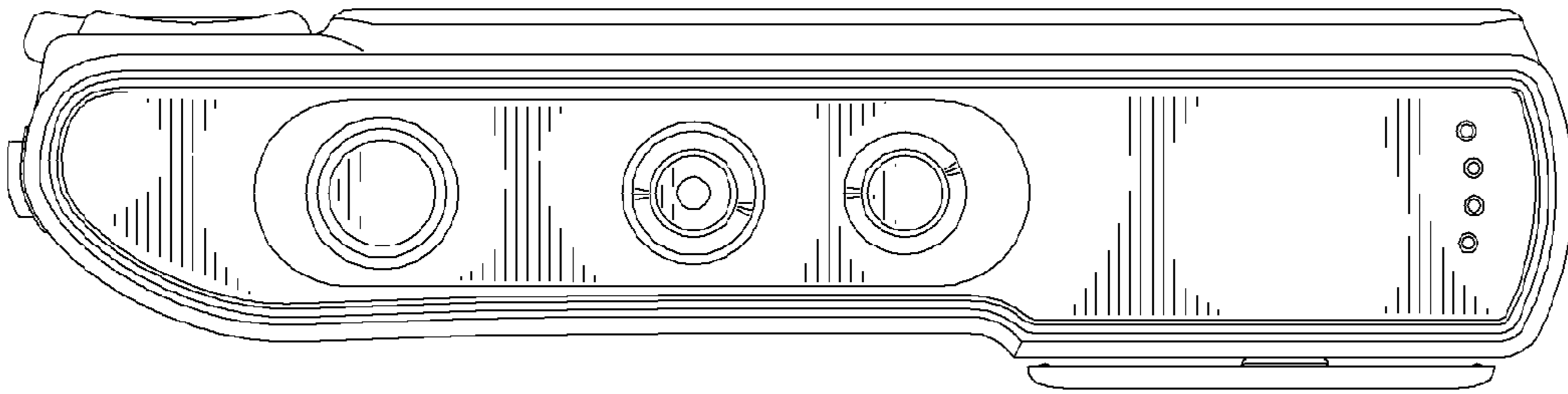


FIG. 7

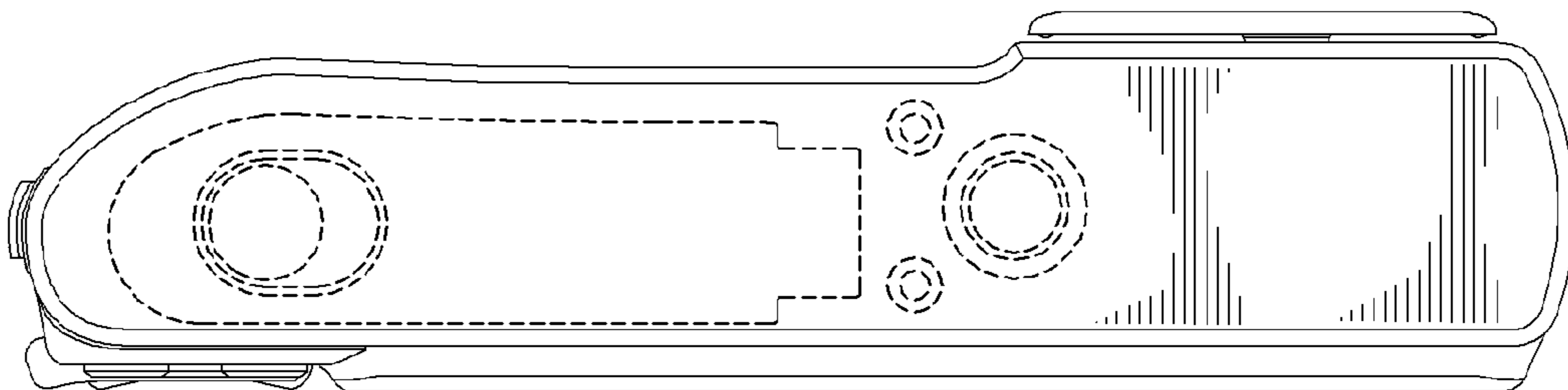


FIG. 8

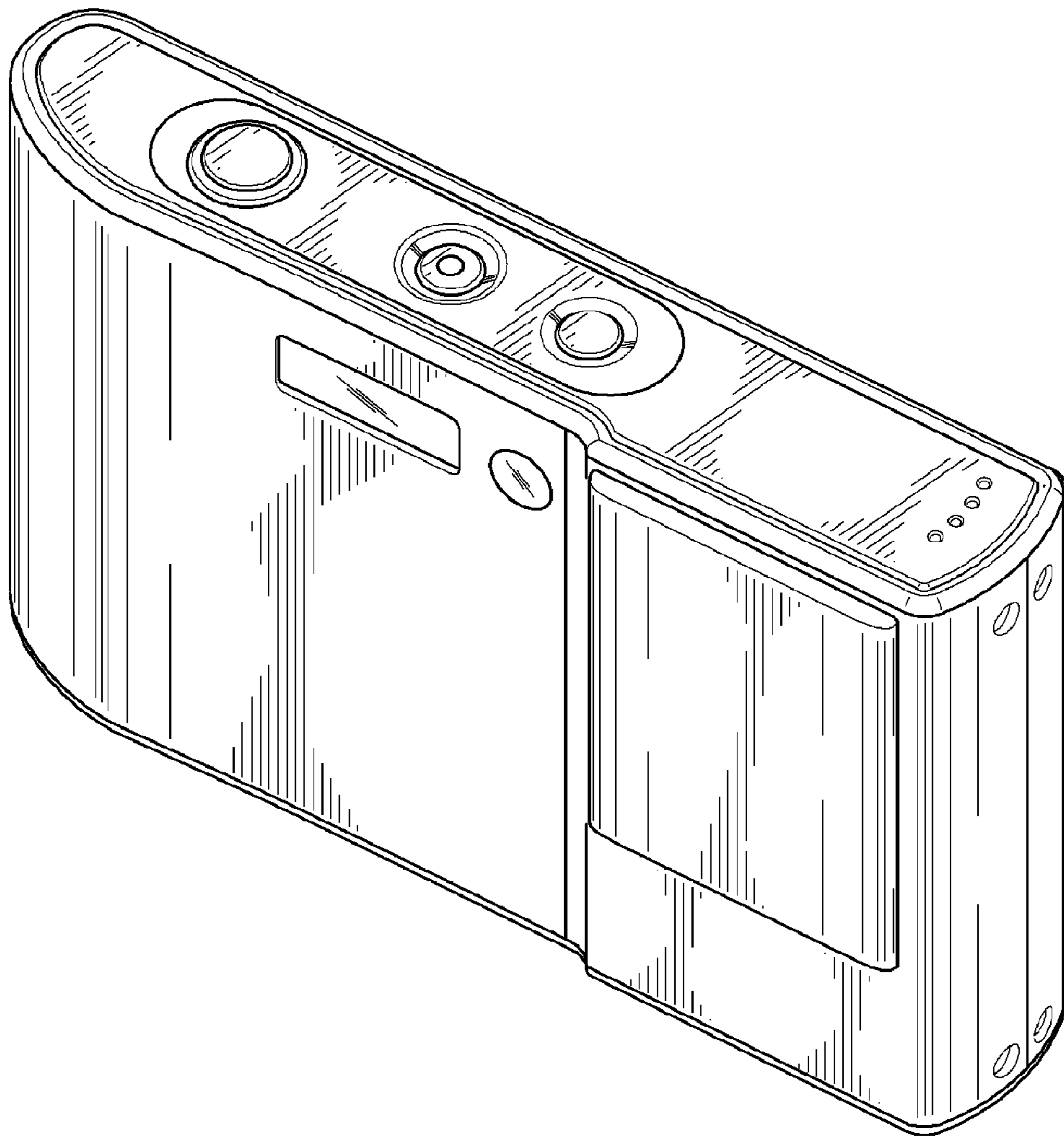
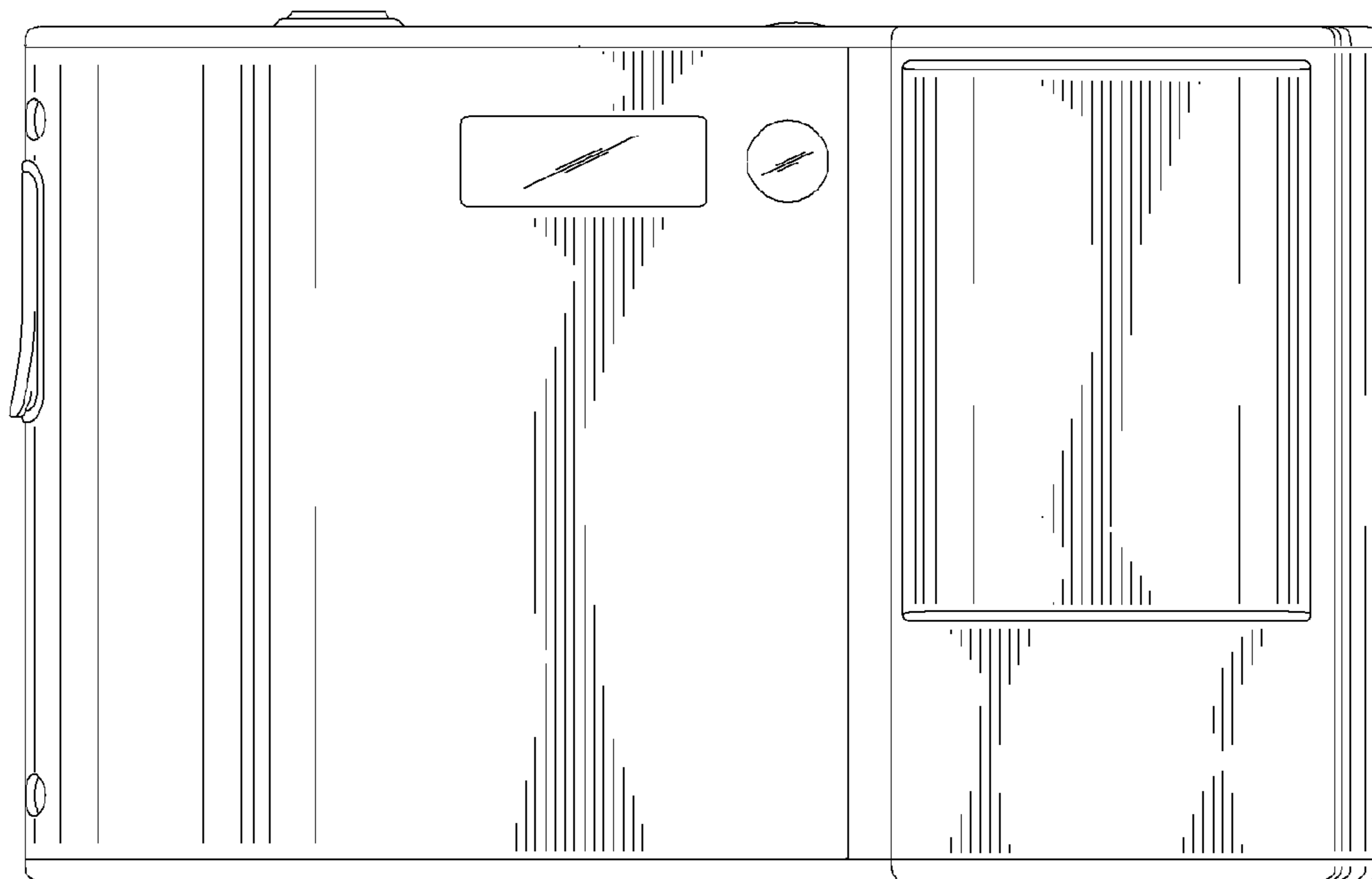


FIG. 9





UNITED STATES PATENT AND TRADEMARK OFFICE  
**CERTIFICATE OF CORRECTION**

PATENT NO. : Des. 598,037 S  
APPLICATION NO. : 29/312272  
DATED : August 11, 2009  
INVENTOR(S) : Soo-jung Lee

Page 1 of 1

It is certified that error appears in the above-identified patent and that said Letters Patent is hereby corrected as shown below:

**ON THE TITLE PAGE:**

Item (30) Foreign Application Priority Data, replace

Apr. 18, 2008 (**JP**) ..... 30-2008-0016726

with

Apr. 18, 2008 (**KR**) ..... 30-2008-0016726

Signed and Sealed this

Twenty-ninth Day of December, 2009



David J. Kappos  
*Director of the United States Patent and Trademark Office*