



US00D598036S

(12) **United States Design Patent**
Bergstraesser et al.

(10) **Patent No.:** **US D598,036 S**

(45) **Date of Patent:** **** Aug. 11, 2009**

(54) **MIXING DEVICE**

D541,310 S * 4/2007 Zagorov D15/19

(75) Inventors: **Andreas Bergstraesser**, Albaching (DE); **Christiane Frank**, München (DE); **Manfred Harre**, Landsberg (DE)

(73) Assignee: **3M Innovative Properties Company**, St. Paul, MN (US)

(**) Term: **14 Years**

(21) Appl. No.: **29/259,596**

(22) Filed: **May 11, 2006**

(30) **Foreign Application Priority Data**

Nov. 11, 2005 (EM) 429063-1/4

(51) **LOC (9) Cl.** **15-09**

(52) **U.S. Cl.** **D15/147**

(58) **Field of Classification Search** D7/370, D7/376, 377, 378, 380, 386; D15/10, 19, D15/28, 147; 241/69, 101.8, 180, 181; 366/47, 366/47.31, 48, 48.28, 57, 60, 63, 185, 288, 366/232

See application file for complete search history.

(56) **References Cited**

U.S. PATENT DOCUMENTS

- 4,347,004 A * 8/1982 Platts D15/147
- D269,522 S * 6/1983 Reichel et al. D15/147
- D323,514 S * 1/1992 Quirk et al. D15/147
- D421,616 S * 3/2000 Shimizu D15/147
- 6,612,732 B2 * 9/2003 Blakeman et al. 366/209
- D495,343 S * 8/2004 Tomazevic D15/19
- D498,972 S * 11/2004 Feil D7/386

OTHER PUBLICATIONS

- Product Literature: DMG "MixStar," Oct. 2005, 6 pages.
- Product Literature: 3M ESPE AG, "3M ESPE Pentamix 2," Jul. 2001, 4 pages.
- Product Literature: Kettenbach Dental, "Plug and Press Dispenser," Apr. 2005, 4 pages.
- Product Literature: Sultan Chemists, "Genie Hydrophilic Impression Material," (date unknown but believed to be prior to the date of the filing of the present application), 2 pages.

* cited by examiner

Primary Examiner—Sandra Snapp
Assistant Examiner—Patricia Palasik

(57) **CLAIM**

The ornamental design for a mixing device, as shown and described.

DESCRIPTION

FIG. 1 is an oblique view showing the new design for a mixing device.

FIG. 2 is a front view thereof;

FIG. 3 is a back view thereof;

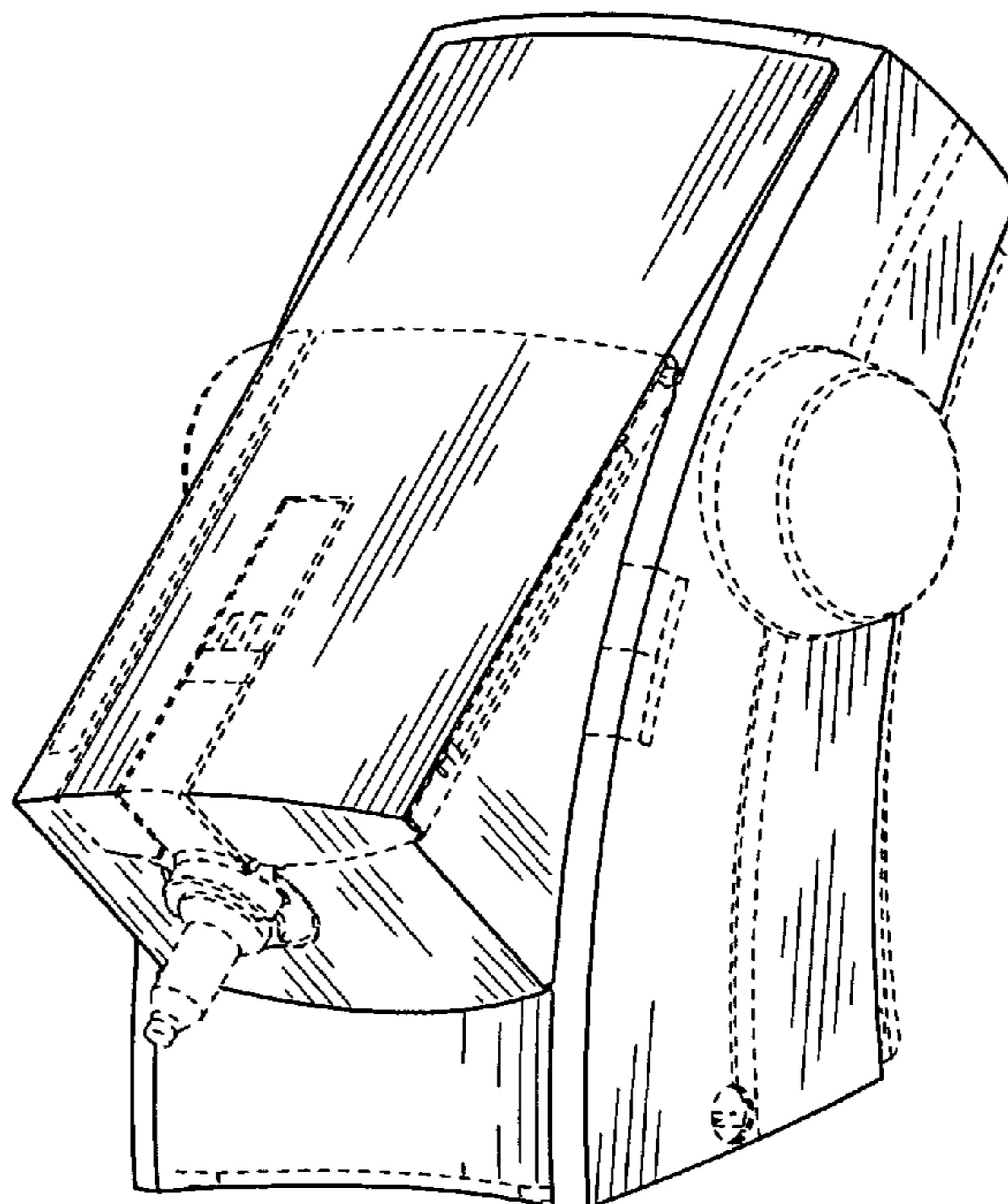
FIG. 4 is a side view thereof;

FIG. 5 is a top view thereof; and,

FIG. 6 is a bottom view thereof.

The portions of the mixing device shown in the broken lines are included for illustrative purposes only and form no part of the claimed design.

1 Claim, 3 Drawing Sheets



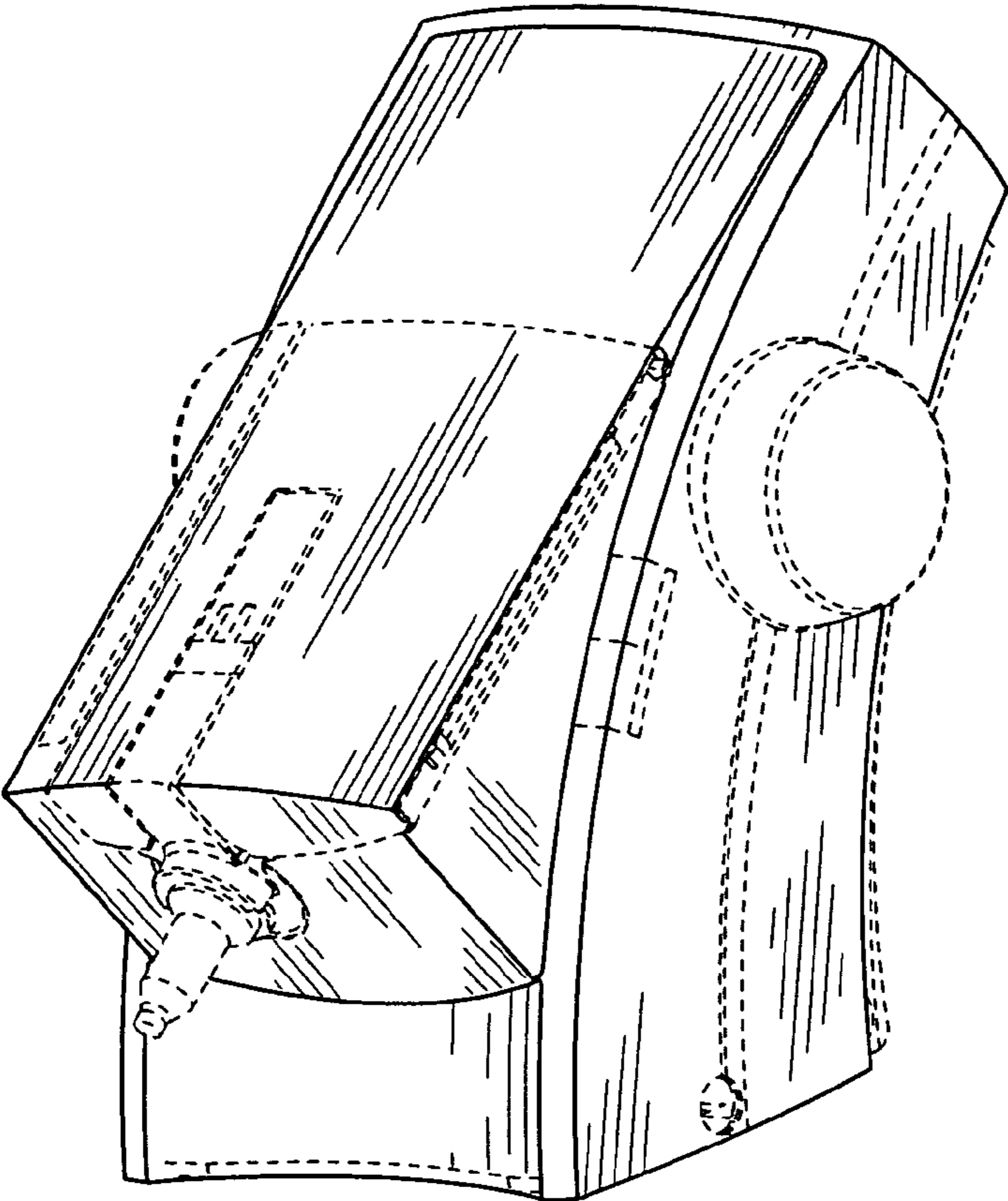


FIG. 1

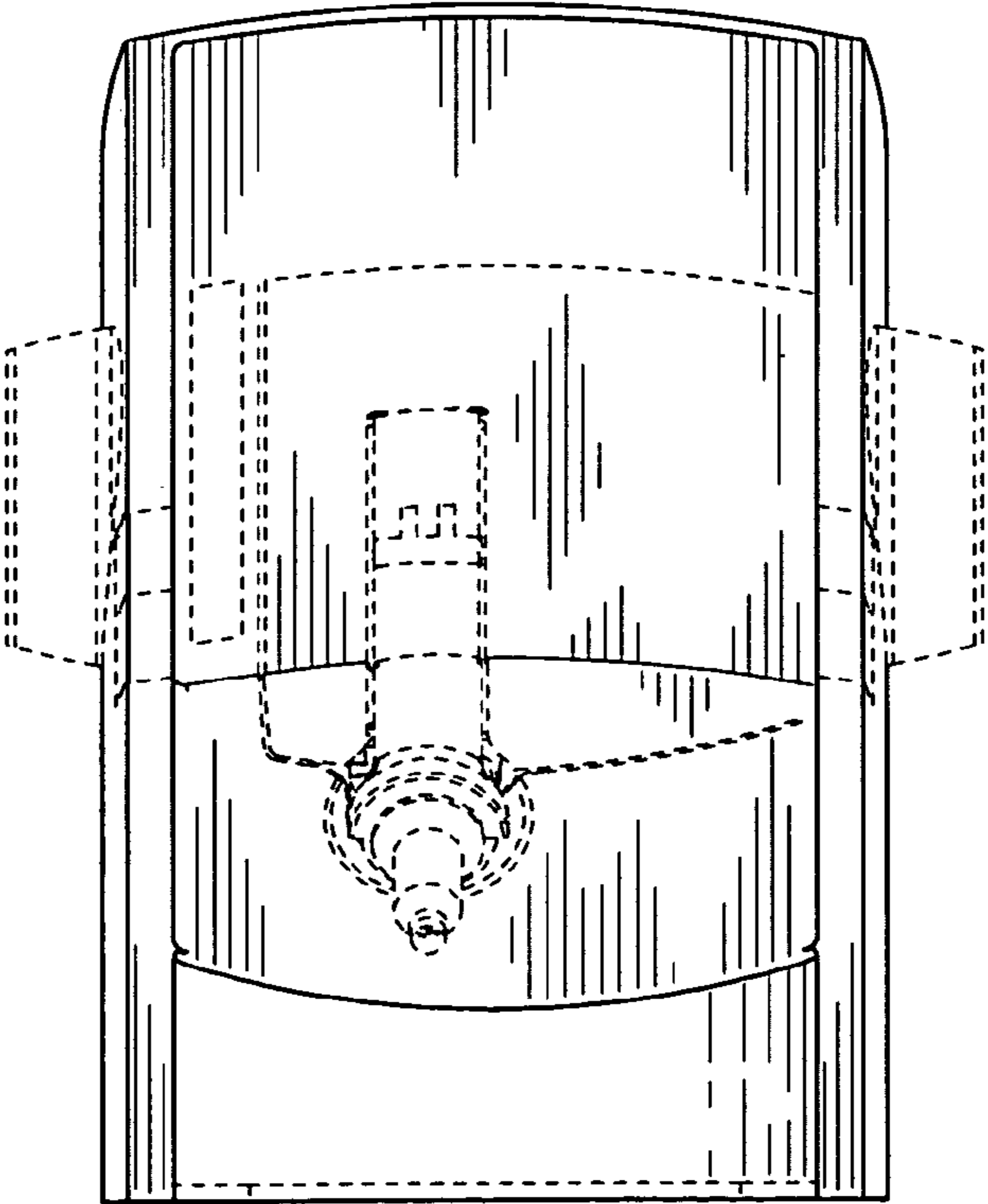


FIG. 2

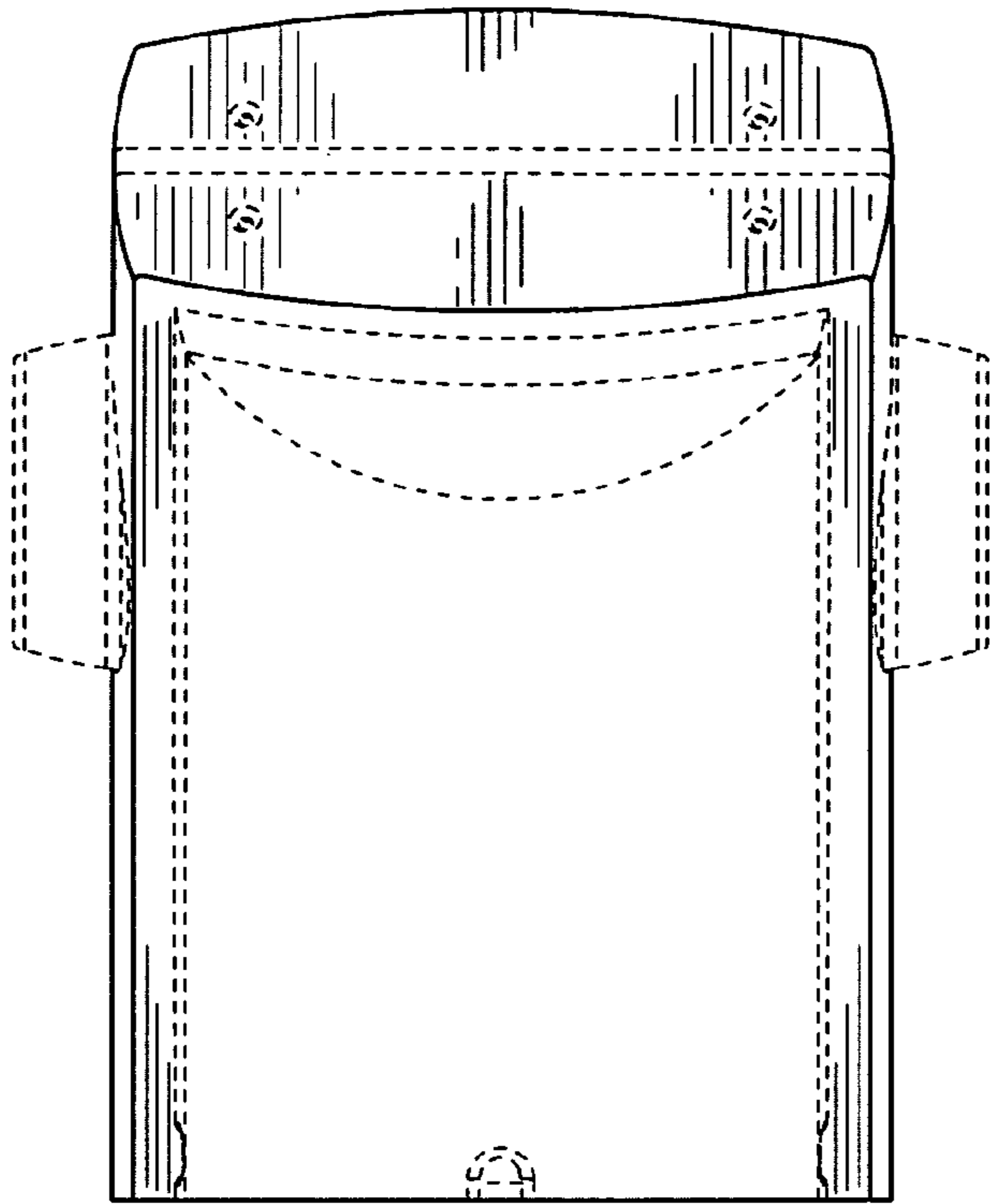


FIG. 3

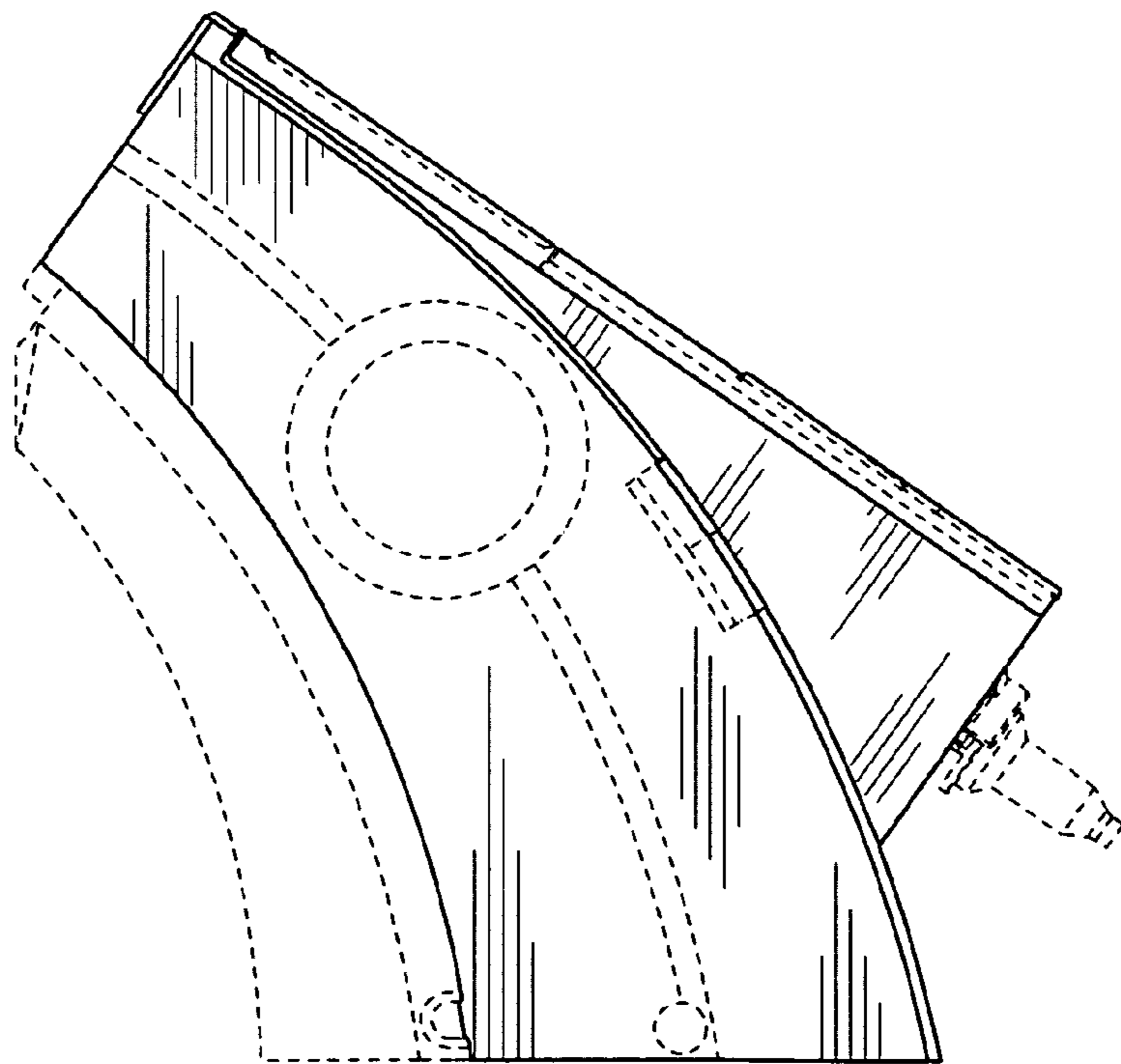


FIG. 4

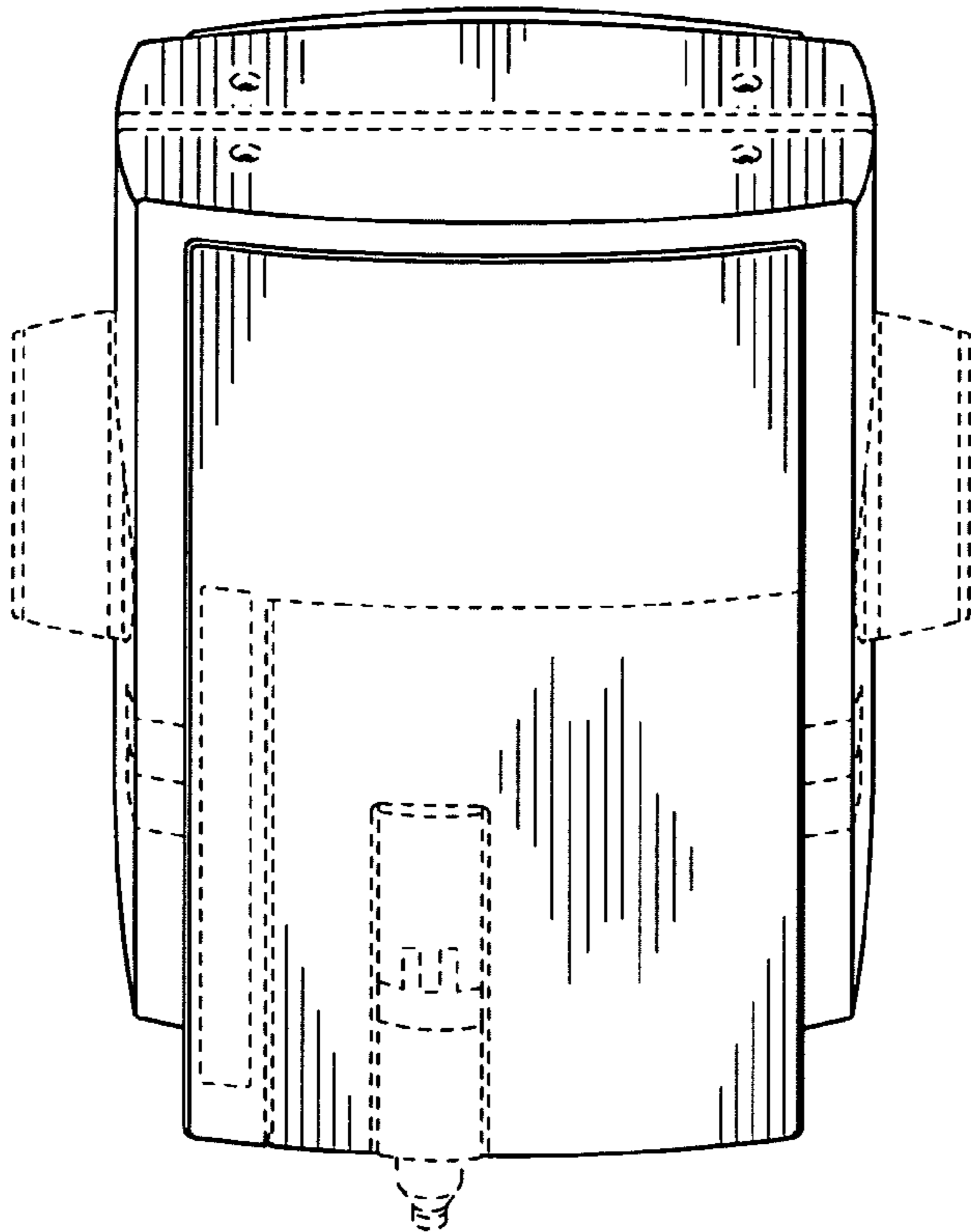


FIG. 5

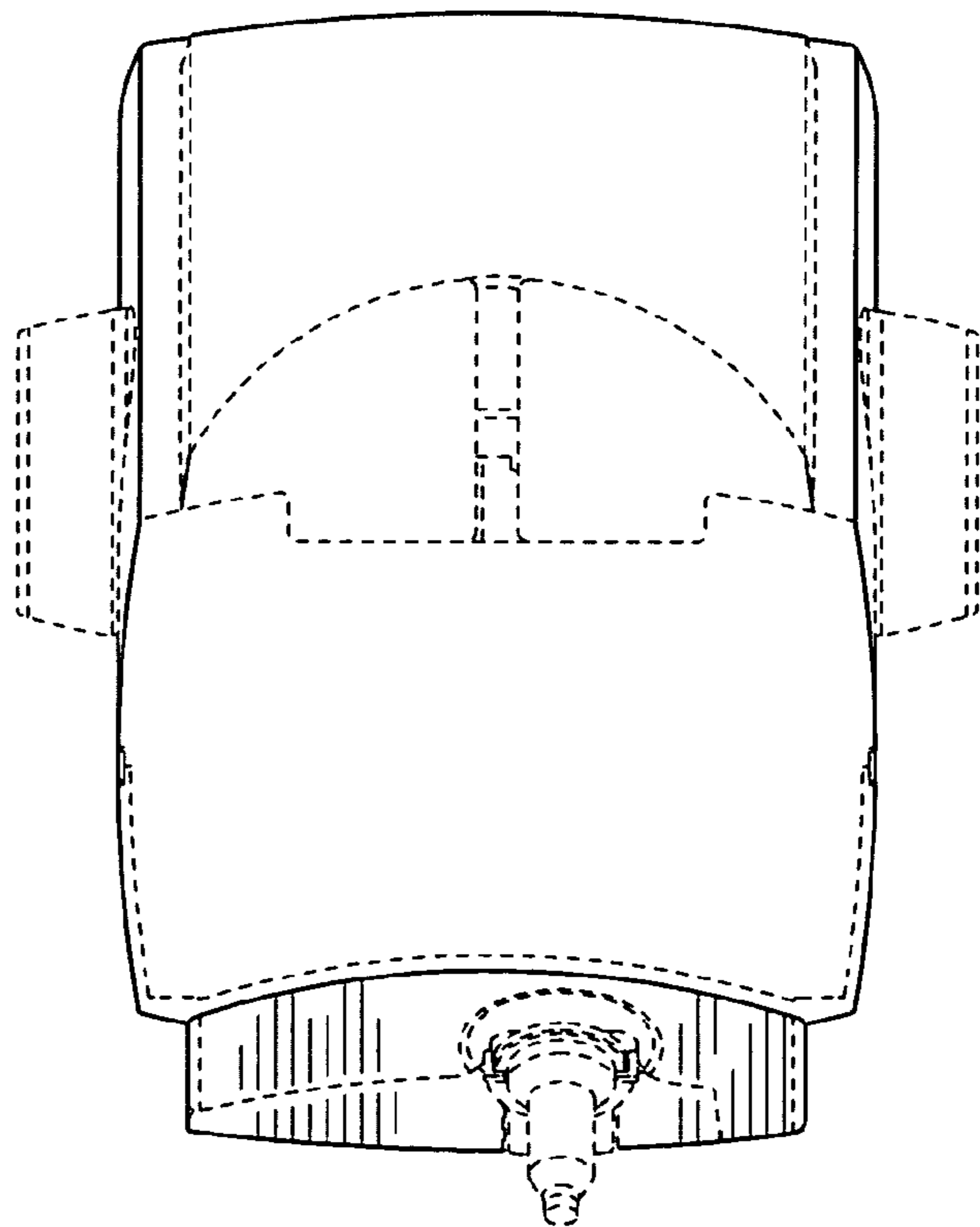


FIG. 6