



US00D598035S

(12) **United States Design Patent**
Hoshor

(10) **Patent No.:** **US D598,035 S**

(45) **Date of Patent:** **** Aug. 11, 2009**

(54) **APPARATUS FOR SAWING LINEAL MATERIAL TO LENGTH**

(75) Inventor: **Steven T. Hoshor**, Ames, IA (US)

(73) Assignee: **Technical Services, Inc.**, Ames, IA (US)

(**) Term: **14 Years**

(21) Appl. No.: **29/331,177**

(22) Filed: **Jan. 21, 2009**

(51) **LOC (9) Cl.** **15-09**

(52) **U.S. Cl.** **D15/133; D6/492**

(58) **Field of Classification Search** D6/399,
D6/400, 421, 422, 426, 429, 480, 483, 484,
D6/492; D15/127, 133, 134; 83/432, 435,
83/438, 468, 468.3, 468.7, 471.2, 477, 477.2,
83/478; 144/253.1, 286.1, 286.5, 287

See application file for complete search history.

(56) **References Cited**

U.S. PATENT DOCUMENTS

- D58,194 S * 6/1921 Levasseur D15/127
- D159,129 S * 6/1950 Andrews D15/133
- 2,656,861 A * 10/1953 Verret 144/1.1
- D202,197 S * 9/1965 Beckman D6/425
- 3,290,108 A * 12/1966 Beckman et al. 312/281
- D208,709 S * 9/1967 Barecki D6/397
- 3,758,182 A * 9/1973 Barecki et al. 312/194
- 4,884,513 A * 12/1989 Newhouse et al. 108/50.02

- D311,833 S * 11/1990 Newhouse D6/484
- D312,541 S * 12/1990 Wright D6/484
- D319,935 S * 9/1991 Heidmann D6/422
- D330,302 S * 10/1992 Heidmann D6/495
- D337,675 S * 7/1993 Koguma D6/422
- D345,266 S * 3/1994 Koguma D6/422
- D352,406 S * 11/1994 Scheffers D6/492
- D352,845 S * 11/1994 Hellwig et al. D6/480
- D360,091 S * 7/1995 Hassel et al. D6/492
- D364,281 S * 11/1995 Eason D6/349
- D370,579 S * 6/1996 Simon D6/484
- D412,256 S * 7/1999 Gutgsell D6/495
- D439,448 S * 3/2001 DeJule D6/495
- 6,681,704 B1 * 1/2004 Brookhiser 108/115

* cited by examiner

Primary Examiner—Sandra Snapp

Assistant Examiner—Patricia Palasik

(74) *Attorney, Agent, or Firm*—McKee, Voorhees & Sease, P.L.C.

(57) **CLAIM**

The ornamental design for an apparatus for sawing lineal material to length, substantially as shown and described.

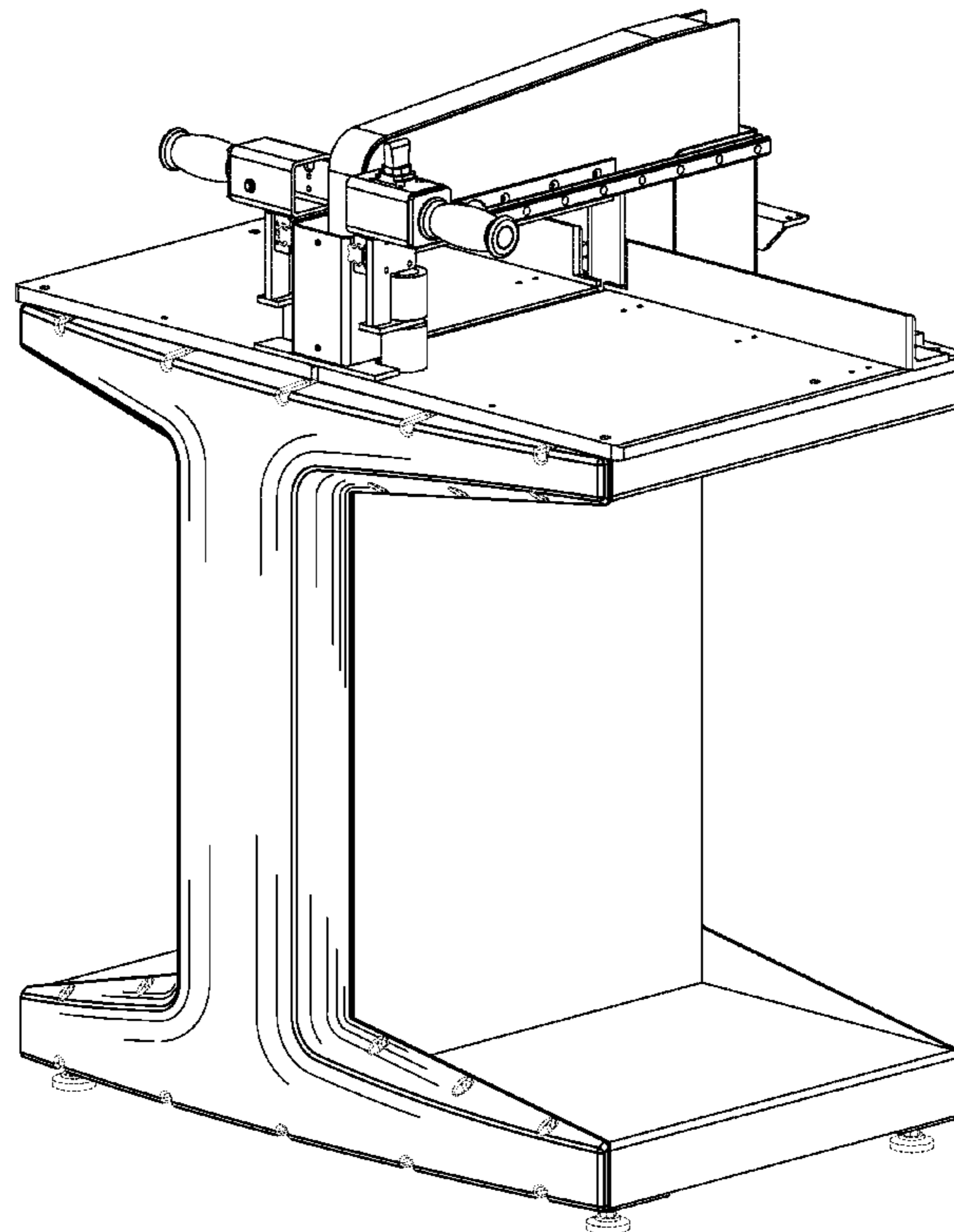
DESCRIPTION

FIG. 1 is a perspective view of the apparatus; and,

FIG. 2 is an end view of the apparatus.

The broken lines in the drawings depict unclaimed environmental subject matter.

1 Claim, 2 Drawing Sheets



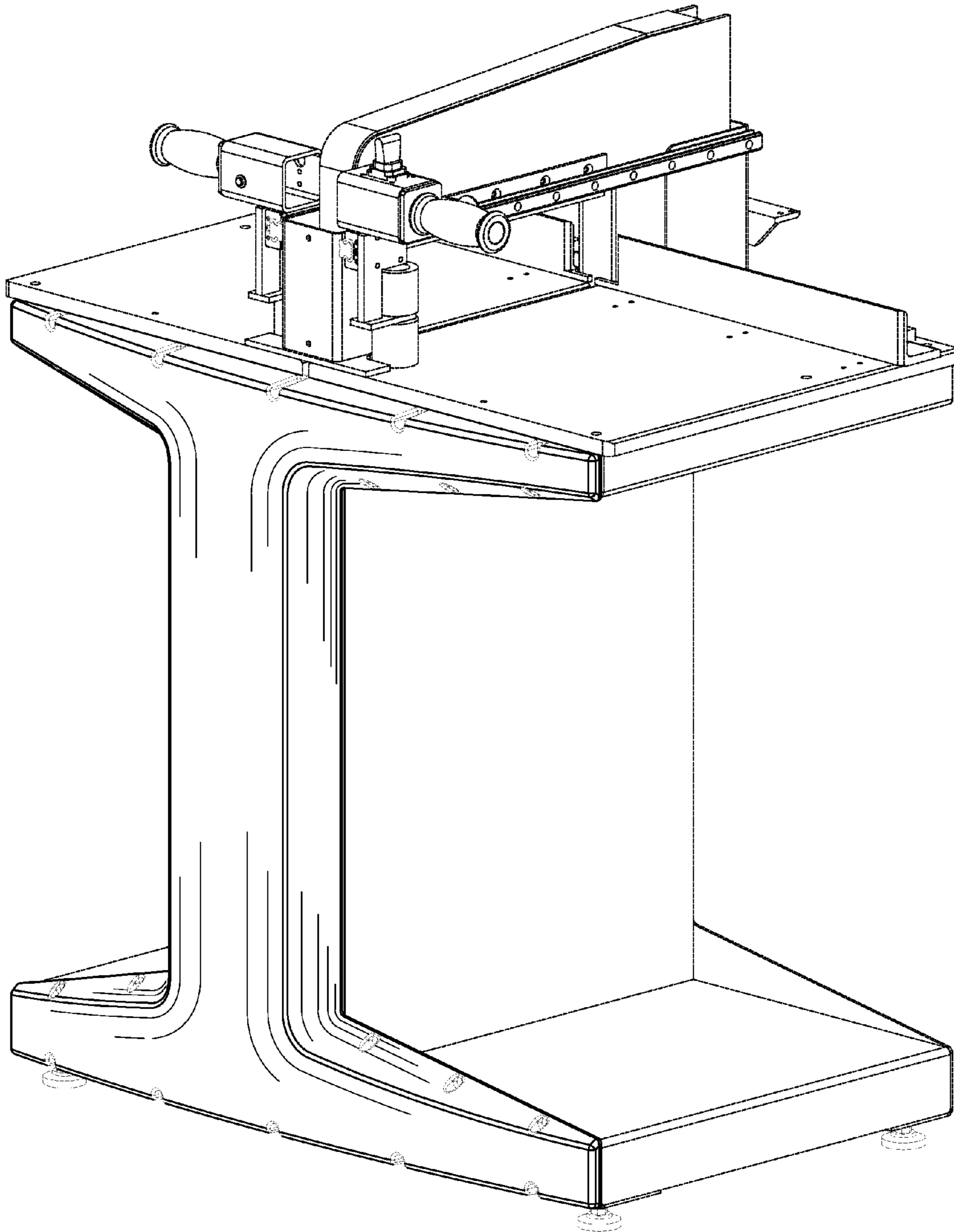


Fig. 1

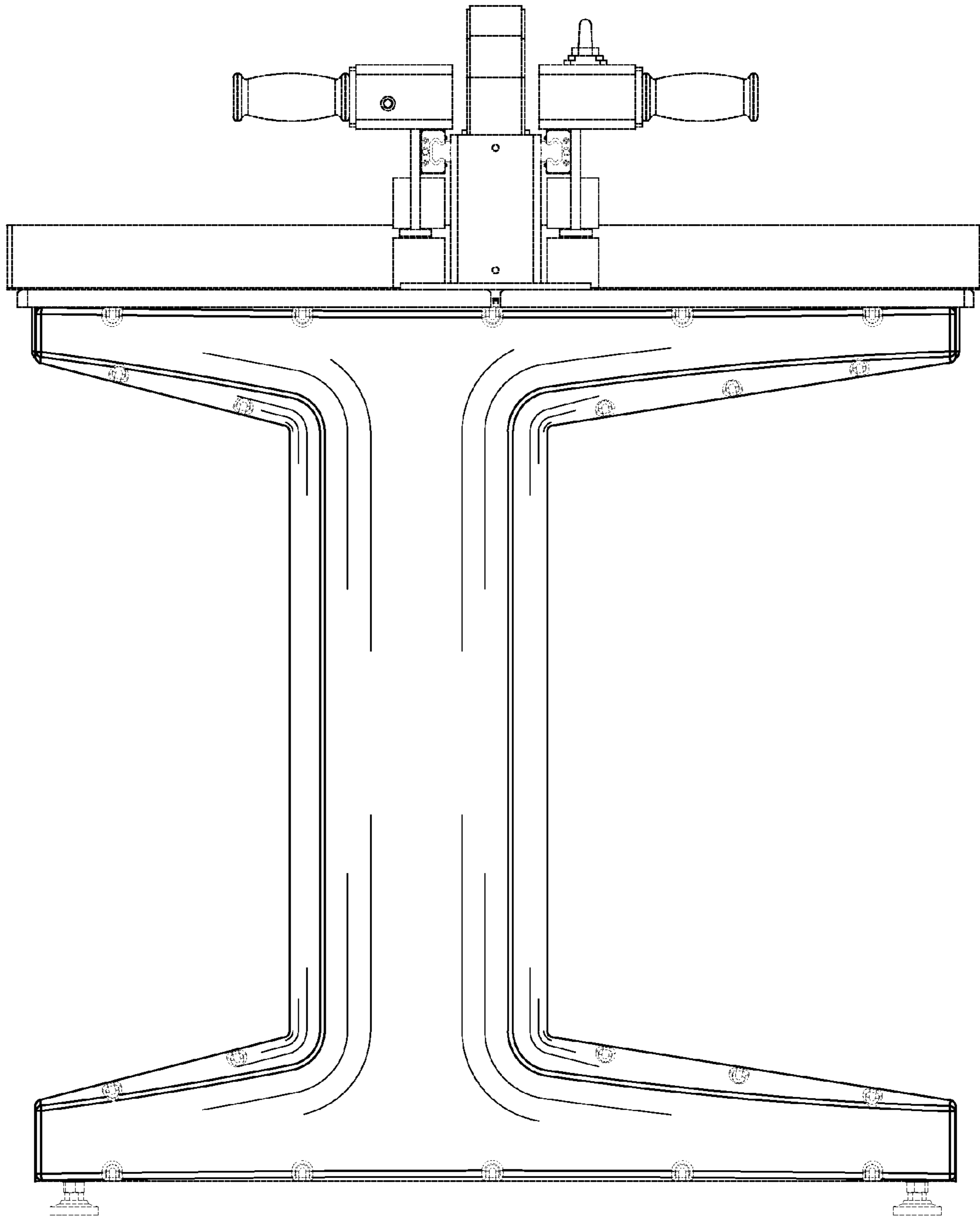


Fig. 2