



US00D598033S

(12) **United States Design Patent**  
**Liu et al.**

(10) **Patent No.:** **US D598,033 S**  
(45) **Date of Patent:** **\*\* Aug. 11, 2009**

(54) **FORNICIFORM CABINET GLASS DOOR FREEZER**

D483,045 S \* 12/2003 Resch ..... D15/83  
D524,330 S \* 7/2006 Pedersen et al. .... D15/81  
D569,396 S \* 5/2008 Bondorff et al. .... D15/84  
D572,731 S \* 7/2008 Bondorff et al. .... D15/84  
D585,465 S \* 1/2009 Rousselin ..... D15/83

(75) Inventors: **Yingzhi Liu**, Qingdao (CN); **Wei Bian**, Qingdao (CN); **Hongwei Shi**, Qingdao (CN); **Ke Sun**, Qingdao (CN); **Pengtao Sun**, Qingdao (CN); **Xia Wang**, Qingdao (CN); **Changliang Xiao**, Qingdao (CN)

\* cited by examiner

*Primary Examiner*—Stella M Reid

*Assistant Examiner*—Shanda C Hill

(73) Assignees: **Haier Group Corporation**, Qingdao (CN); **Qingdao Haier Special Icebox Co., Ltd.**, Qingdao (CN)

(74) *Attorney, Agent, or Firm*—Jacobson Holman PLLC

(\*\*) Term: **14 Years**

(57) **CLAIM**

We claim the ornamental design for the forniciform cabinet glass door freezer, as shown and described.

(21) Appl. No.: **29/309,350**

**DESCRIPTION**

(22) Filed: **Jul. 29, 2008**

FIG. 1 is a perspective view of the forniciform cabinet glass door freezer;

(51) **LOC (9) Cl.** ..... **15-07**

(52) **U.S. Cl.** ..... **D15/81; D15/79**

(58) **Field of Classification Search** ..... D15/79,  
D15/81, 85, 88; 62/3.1, 3.63, 3.64, 236,  
62/246, 372; 312/114–117, 400–408; D6/296,  
D6/440, 449, 470–472, 509

FIG. 2 is a front elevational view of the forniciform cabinet glass door freezer;

FIG. 3 is a rear elevational view of the forniciform cabinet glass door freezer;

See application file for complete search history.

FIG. 4 is a top plan view of the forniciform cabinet glass door freezer;

(56) **References Cited**

**U.S. PATENT DOCUMENTS**

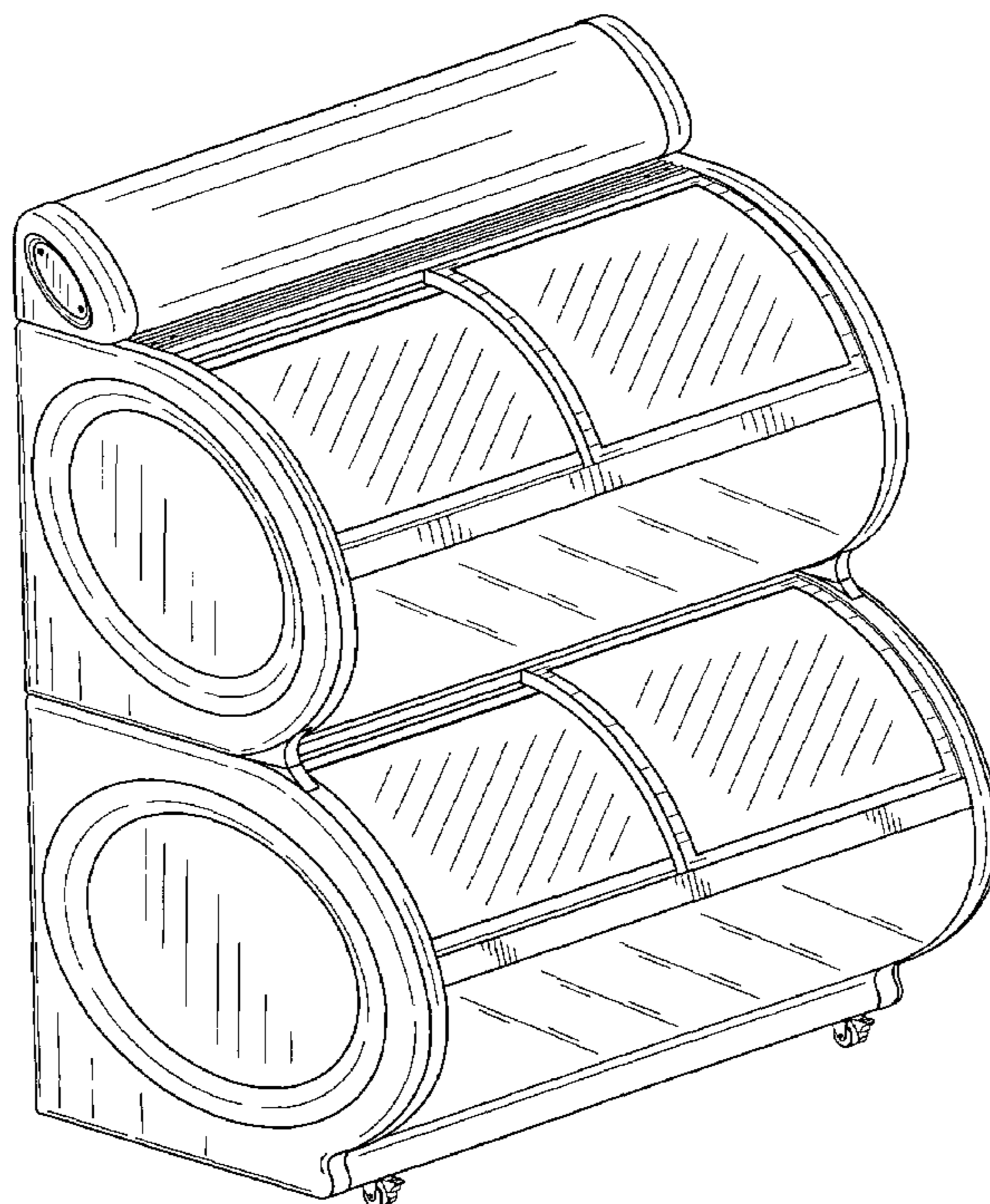
3,759,059 A \* 9/1973 Kenyon ..... 62/246  
D294,315 S \* 2/1988 Jakubowski ..... D6/472  
D427,210 S \* 6/2000 Tsukida ..... D15/83  
D438,404 S \* 3/2001 Topper et al. .... D6/470  
D439,913 S \* 4/2001 Jobst ..... D15/84  
D440,432 S \* 4/2001 Topper et al. .... D6/471

FIG. 5 is a bottom plan view of the forniciform cabinet glass door freezer;

FIG. 6 is a left side elevational view of the forniciform cabinet glass door freezer; and,

FIG. 7 is a right side elevational view of the forniciform cabinet glass door freezer.

**1 Claim, 7 Drawing Sheets**



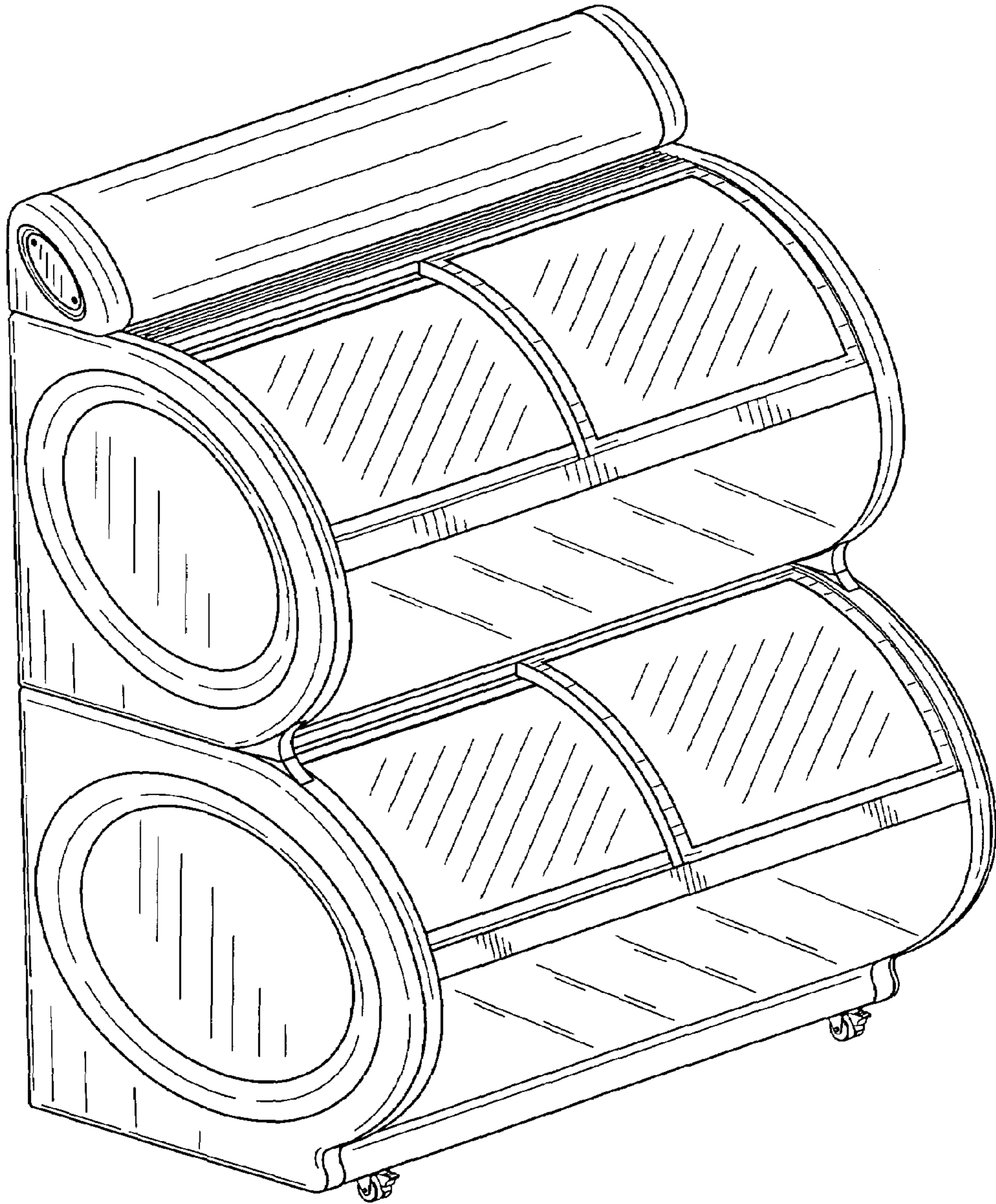


FIG. 1

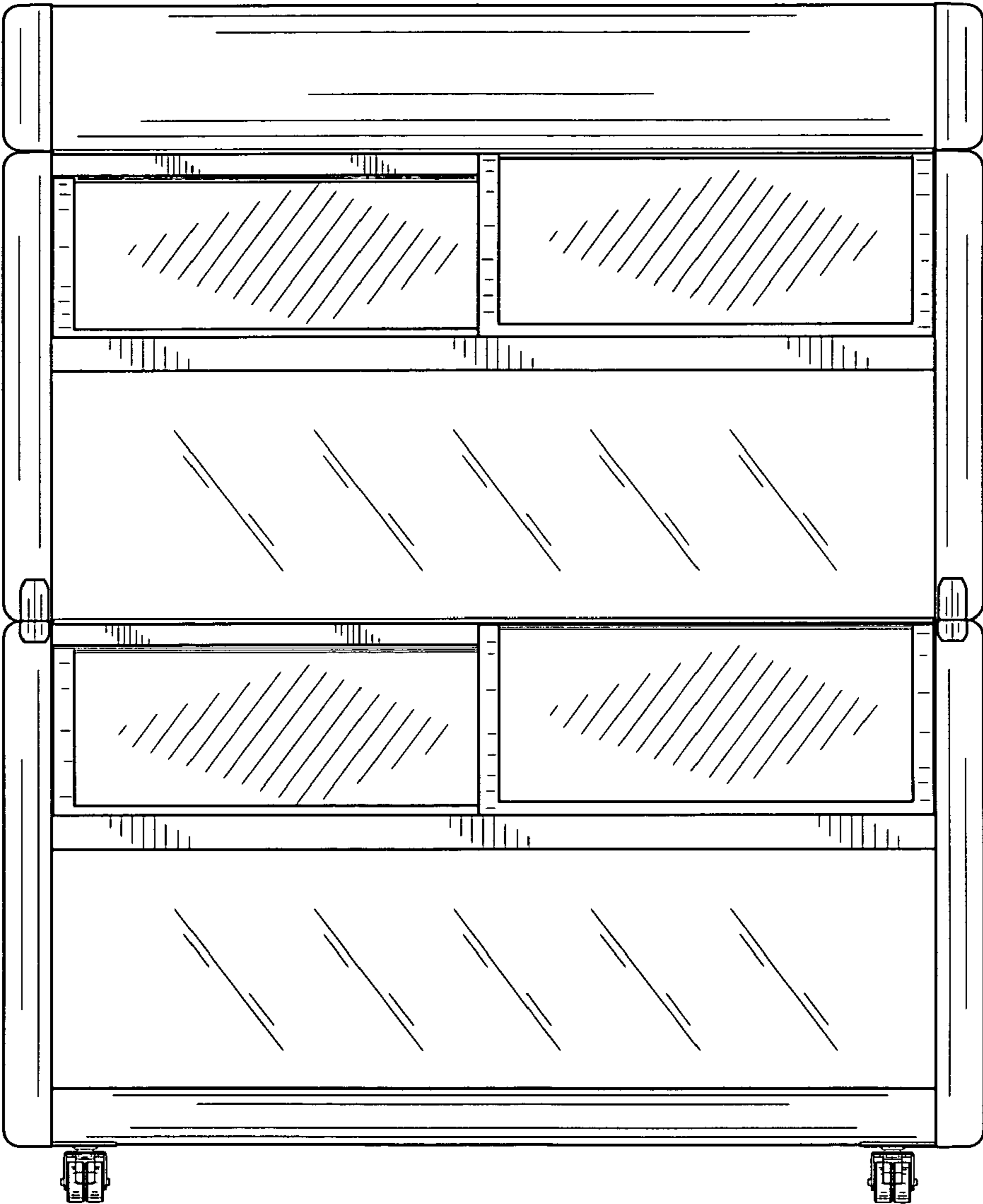


FIG. 2



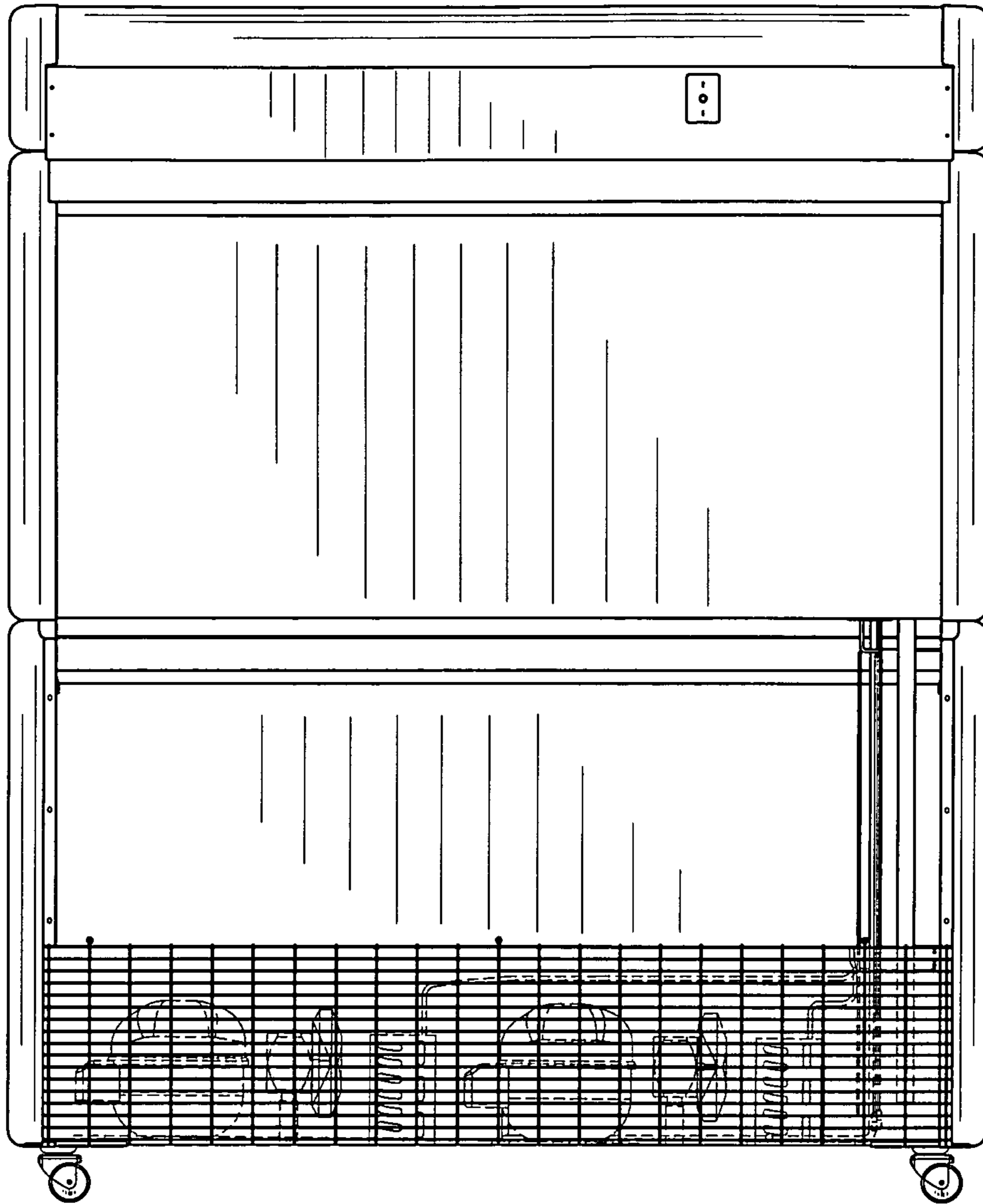


FIG. 3

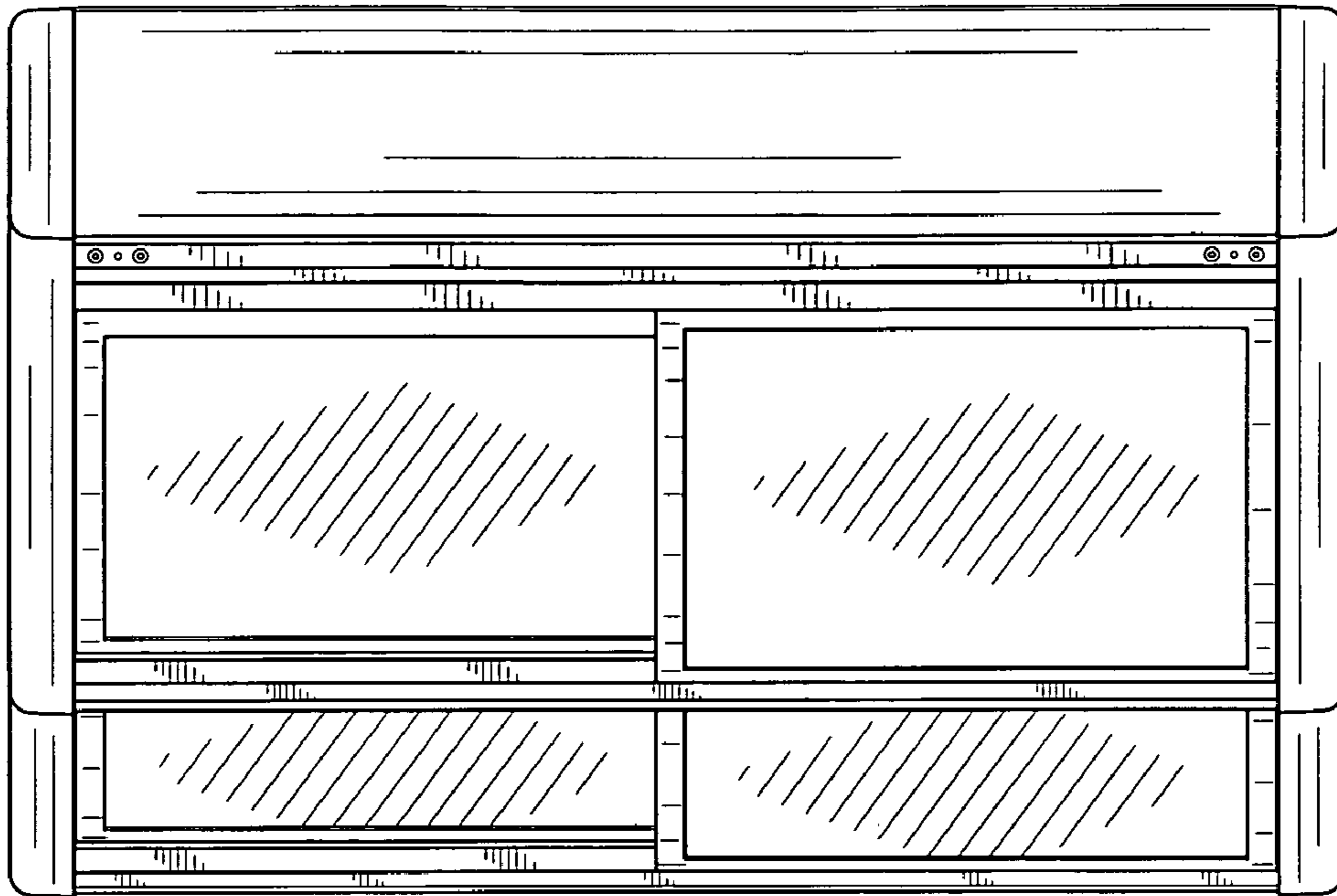


FIG. 4

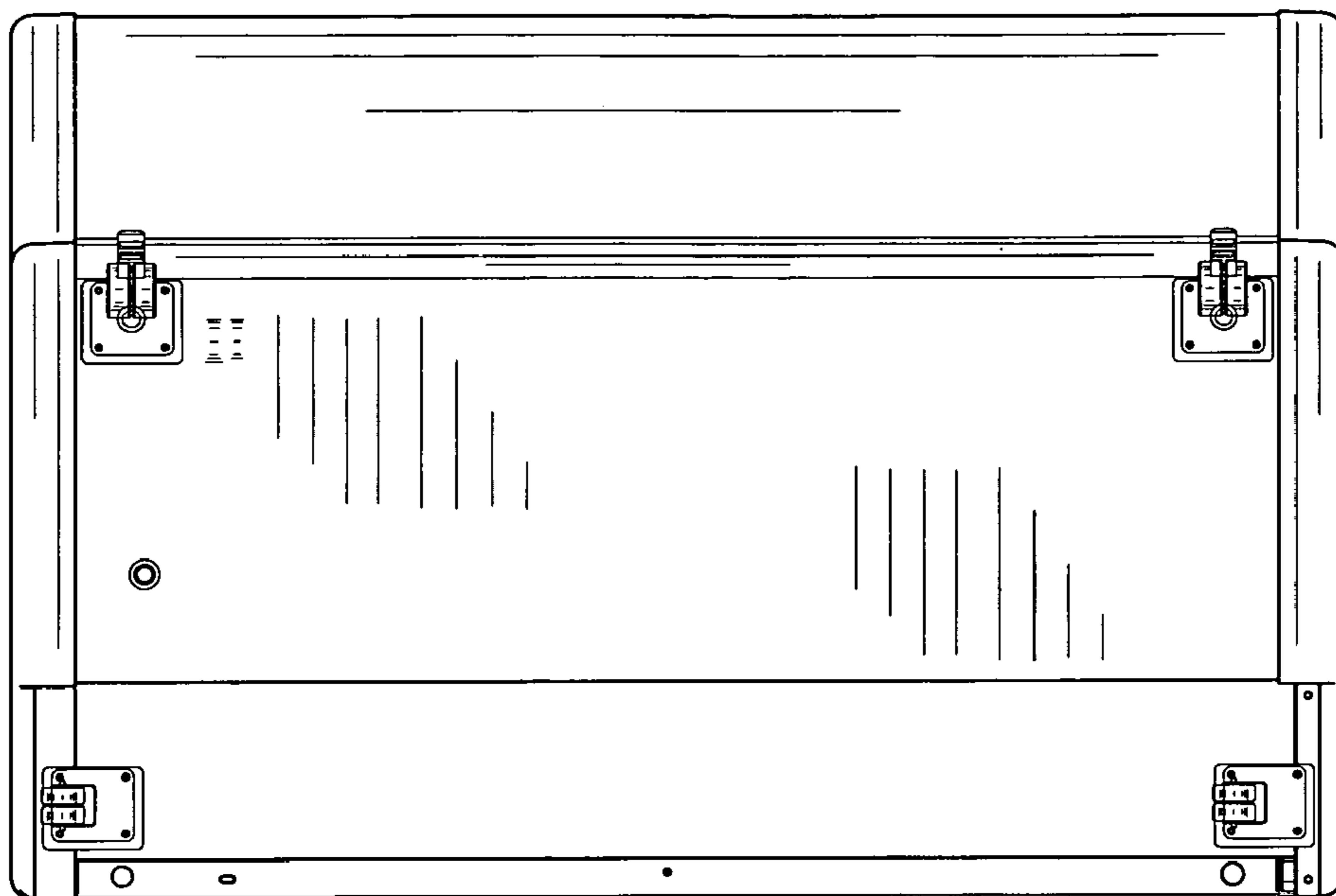


FIG. 5

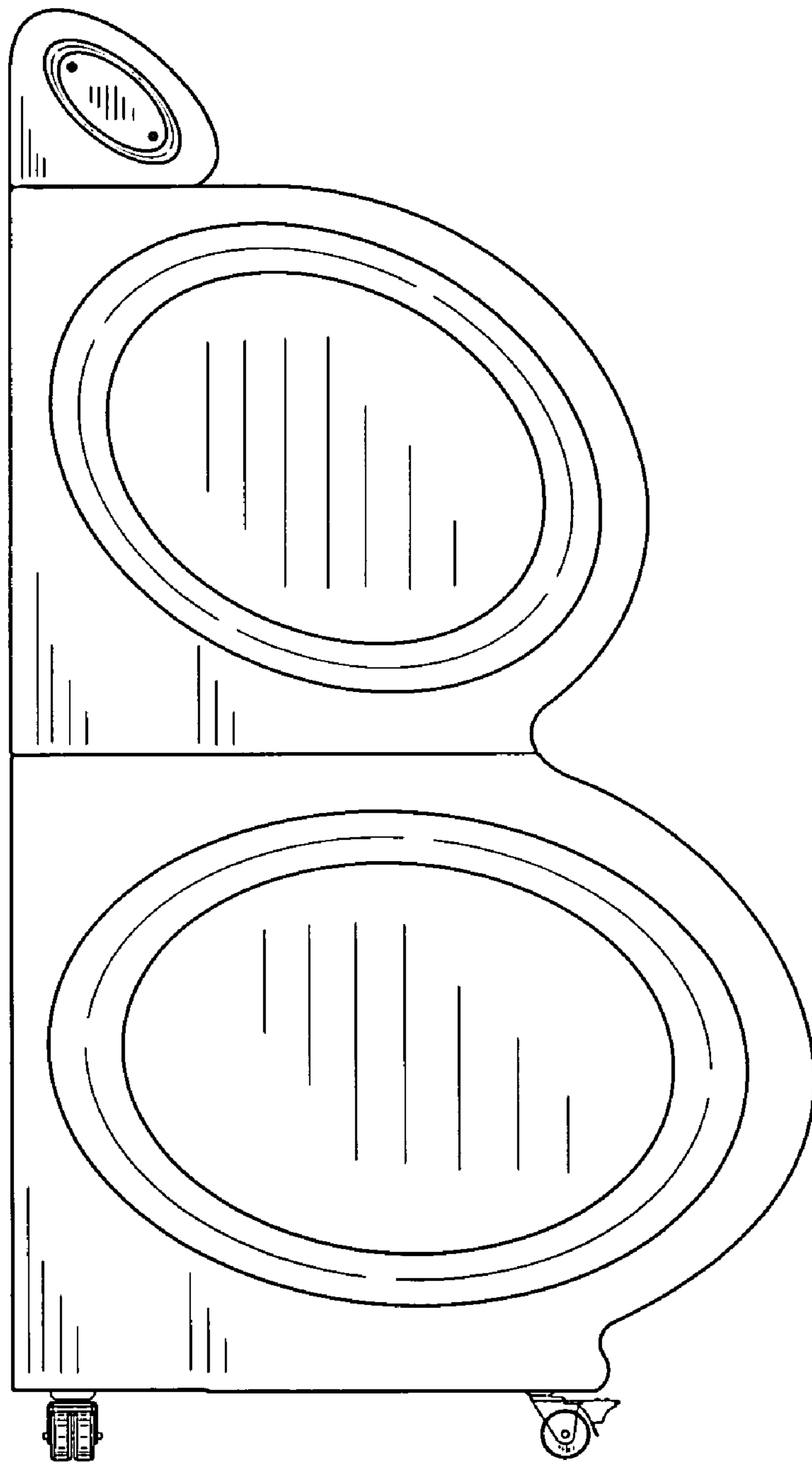


FIG. 6

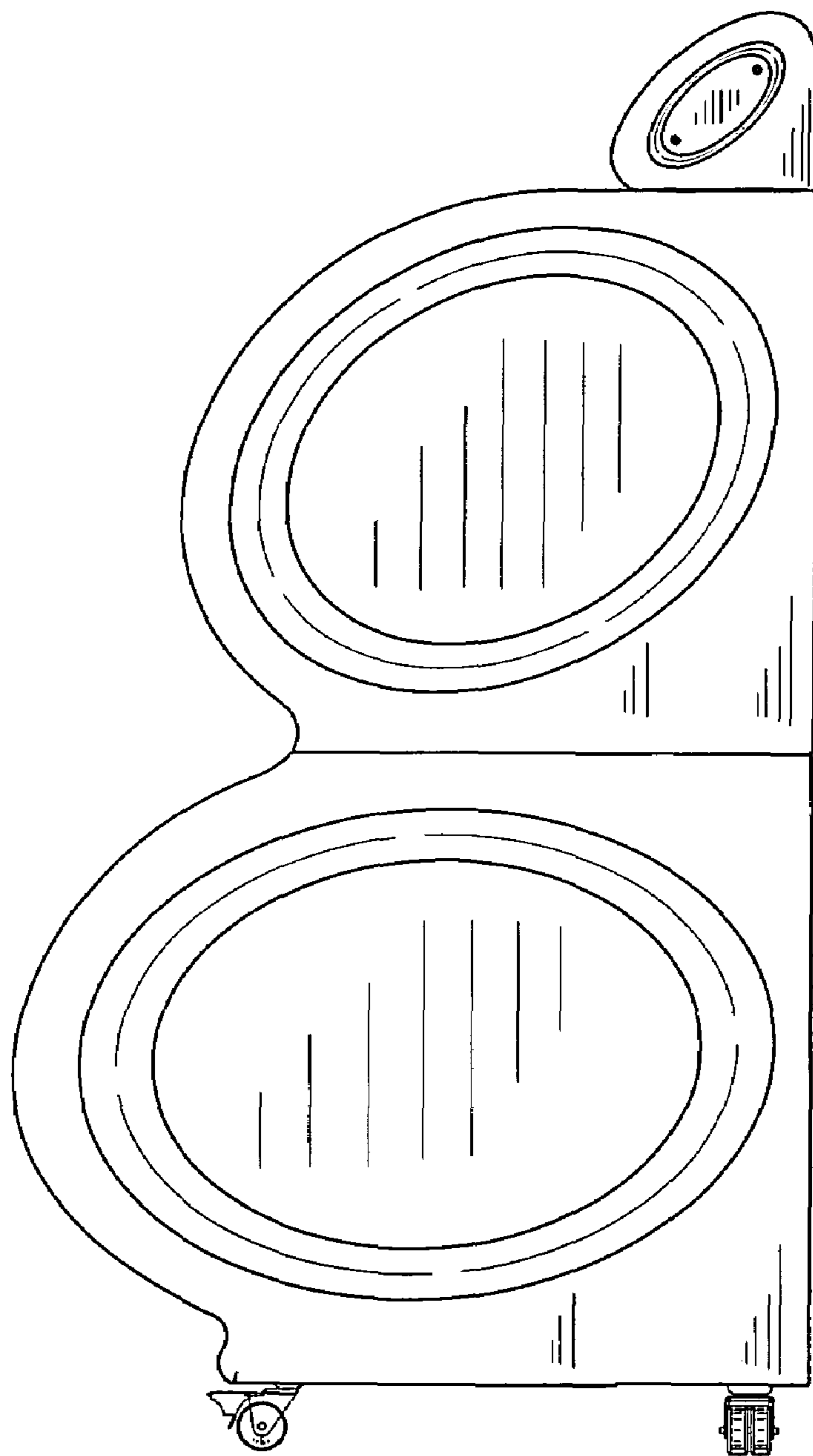


FIG. 7