

US00D598032S

(12) **United States Design Patent**
Nakanishi et al.

(10) **Patent No.:** **US D598,032 S**

(45) **Date of Patent:** **** Aug. 11, 2009**

(54) **CABIN FOR A TRANSPORT VEHICLE**

(75) Inventors: **Shinobu Nakanishi**, Takatsuki (JP);
Hisato Katoh, Sakai (JP)

(73) Assignee: **Kubota Corporation**, Osaka (JP)

(**) Term: **14 Years**

(21) Appl. No.: **29/273,501**

(22) Filed: **Mar. 7, 2007**

(30) **Foreign Application Priority Data**

Oct. 2, 2006 (JP) 2006-026675

(51) **LOC (9) Cl.** **15-03**

(52) **U.S. Cl.** **D15/30**

(58) **Field of Classification Search** D15/10,
D15/15, 22-26, 28, 30, 33; D12/96, 401;
D34/37; 180/89.1, 89.12, 89.13; 296/190.01,
296/79, 190.08

See application file for complete search history.

(56) **References Cited**

U.S. PATENT DOCUMENTS

- 3,610,677 A * 10/1971 Hawley et al. 296/190.08
- D230,498 S * 2/1974 Williams D15/30
- 4,079,985 A * 3/1978 Martin 296/190.03
- D259,424 S * 6/1981 Puig D15/30
- D267,486 S * 1/1983 Martin, Jr. D12/96
- D306,450 S * 3/1990 Funabashi et al. D15/30

- D321,517 S * 11/1991 Katoh et al. D15/30
- D376,604 S * 12/1996 Johnson D15/30
- D464,661 S * 10/2002 Dahl et al. D15/23
- D465,228 S * 11/2002 Dahl et al. D15/23
- 6,561,572 B1 * 5/2003 Martin, Jr. 296/190.1
- D479,536 S * 9/2003 Dahl et al. D15/30

* cited by examiner

Primary Examiner—Stella M Reid

Assistant Examiner—Mark A Goodwin

(74) *Attorney, Agent, or Firm*—The Webb Law Firm

(57) **CLAIM**

The ornamental design for a cabin for a transport vehicle, as shown and described.

DESCRIPTION

FIG. 1 is a right front perspective view of our cabin for a transport vehicle;

FIG. 2 is an enlarged right side view thereof;

FIG. 3 is an enlarged left side view thereof;

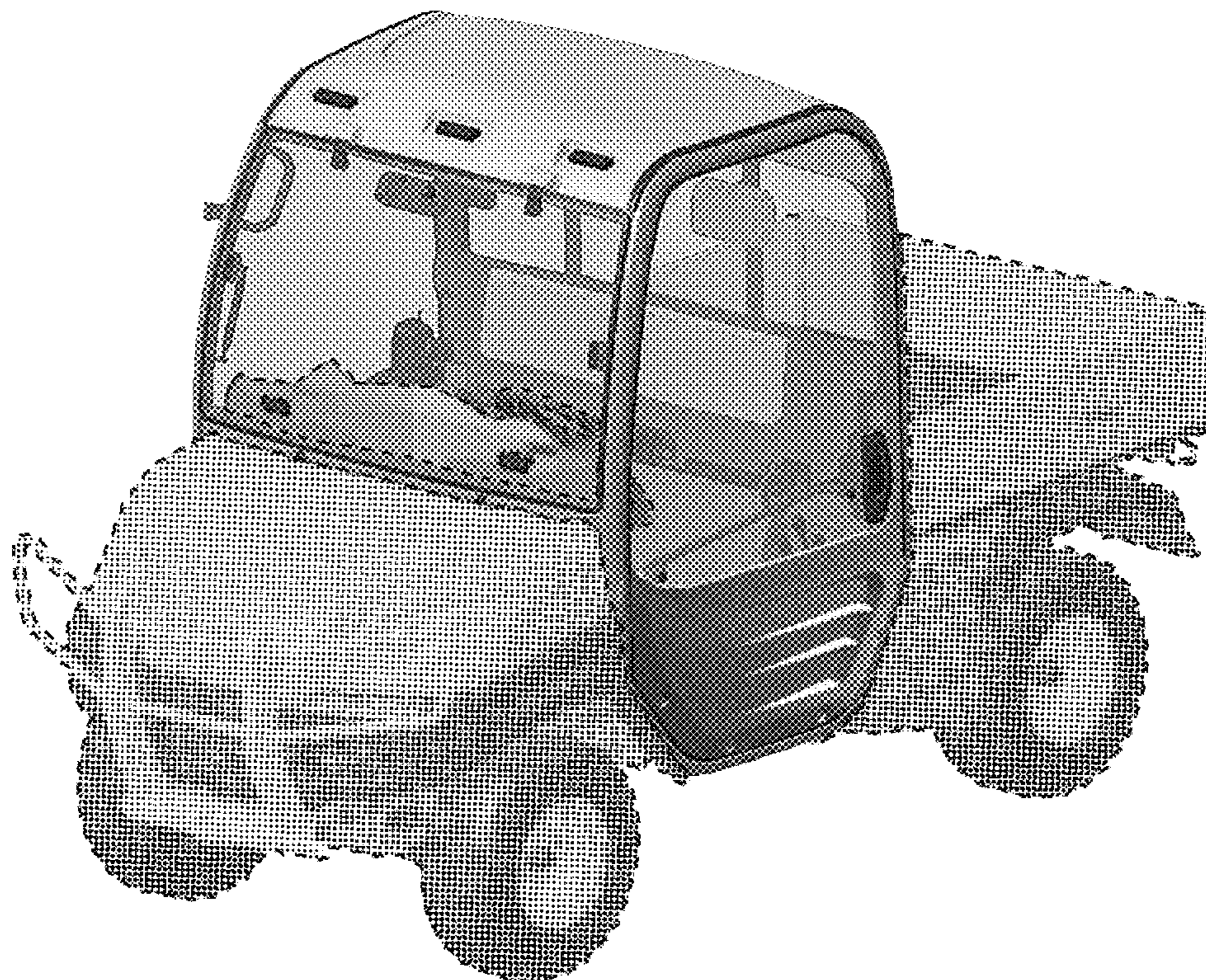
FIG. 4 is an enlarged front view thereof;

FIG. 5 is an enlarged rear view thereof; and,

FIG. 6 is a top plan view thereof.

The portion of the photographs in FIGS. 1-6 shown in a coarse dot pattern and outlined in dashed lines is included for the purpose of illustrating portions of the cabin for a transport vehicle and forms no part of the claimed design.

1 Claim, 6 Drawing Sheets



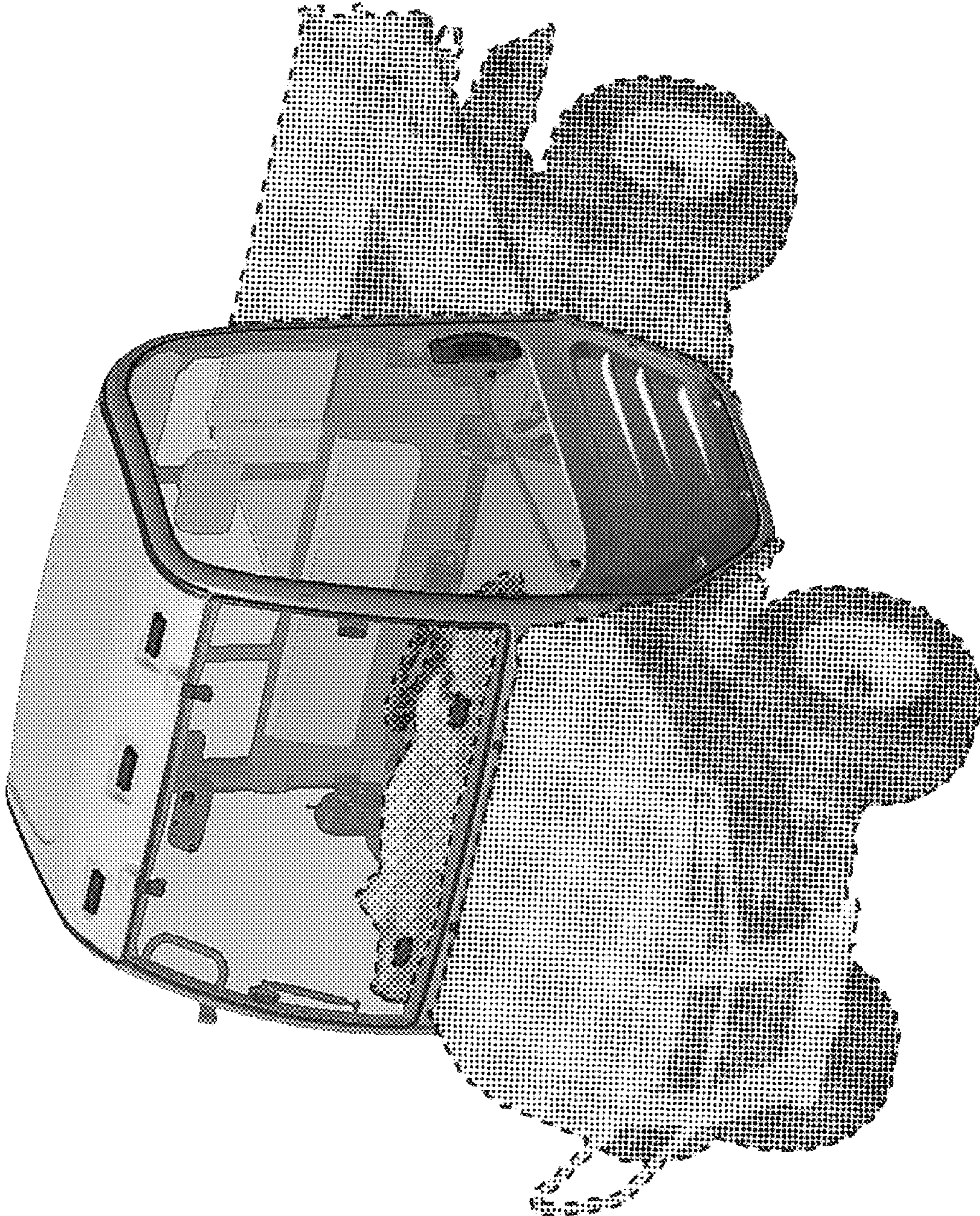


FIG. 1

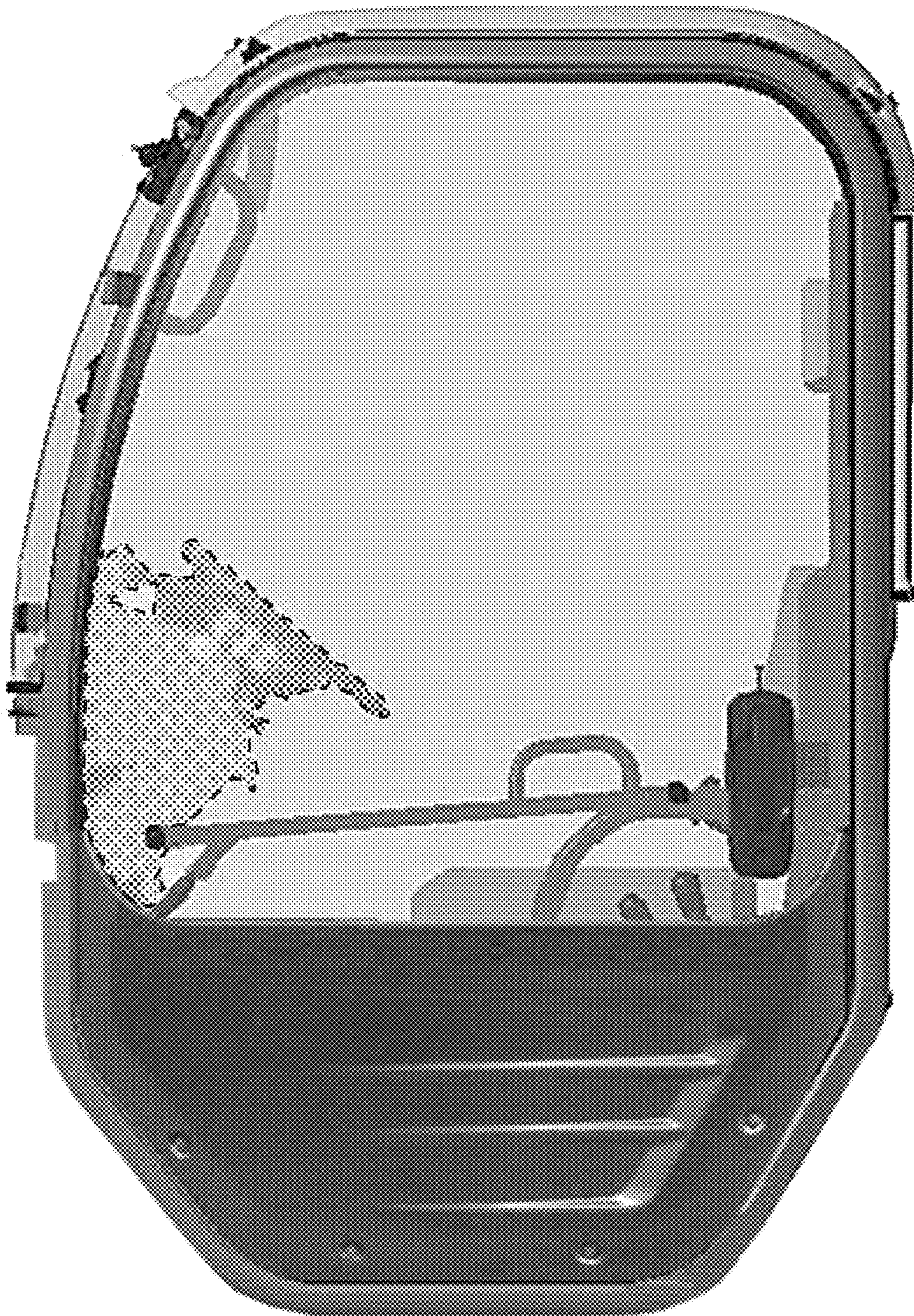


FIG. 2

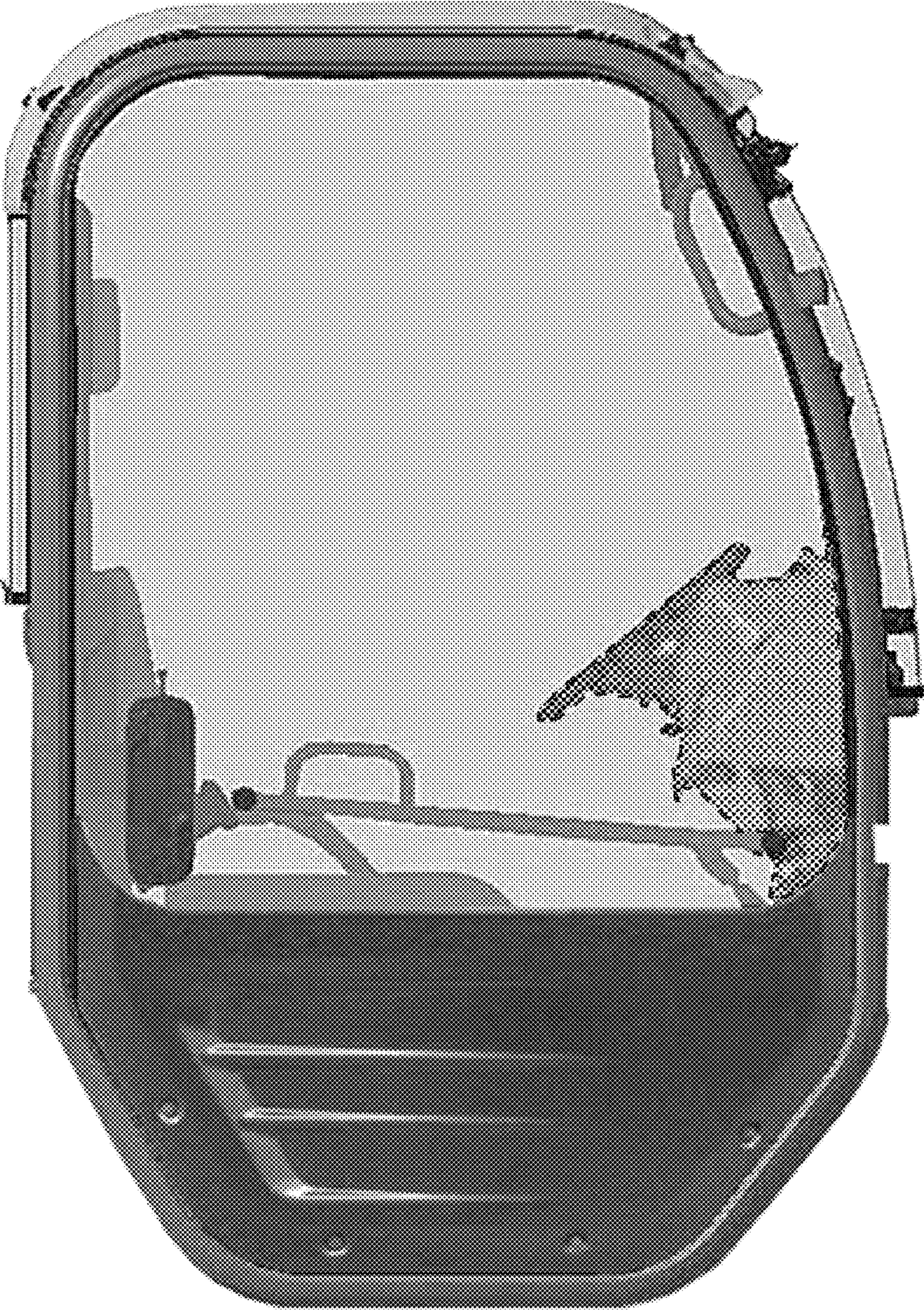


FIG. 3

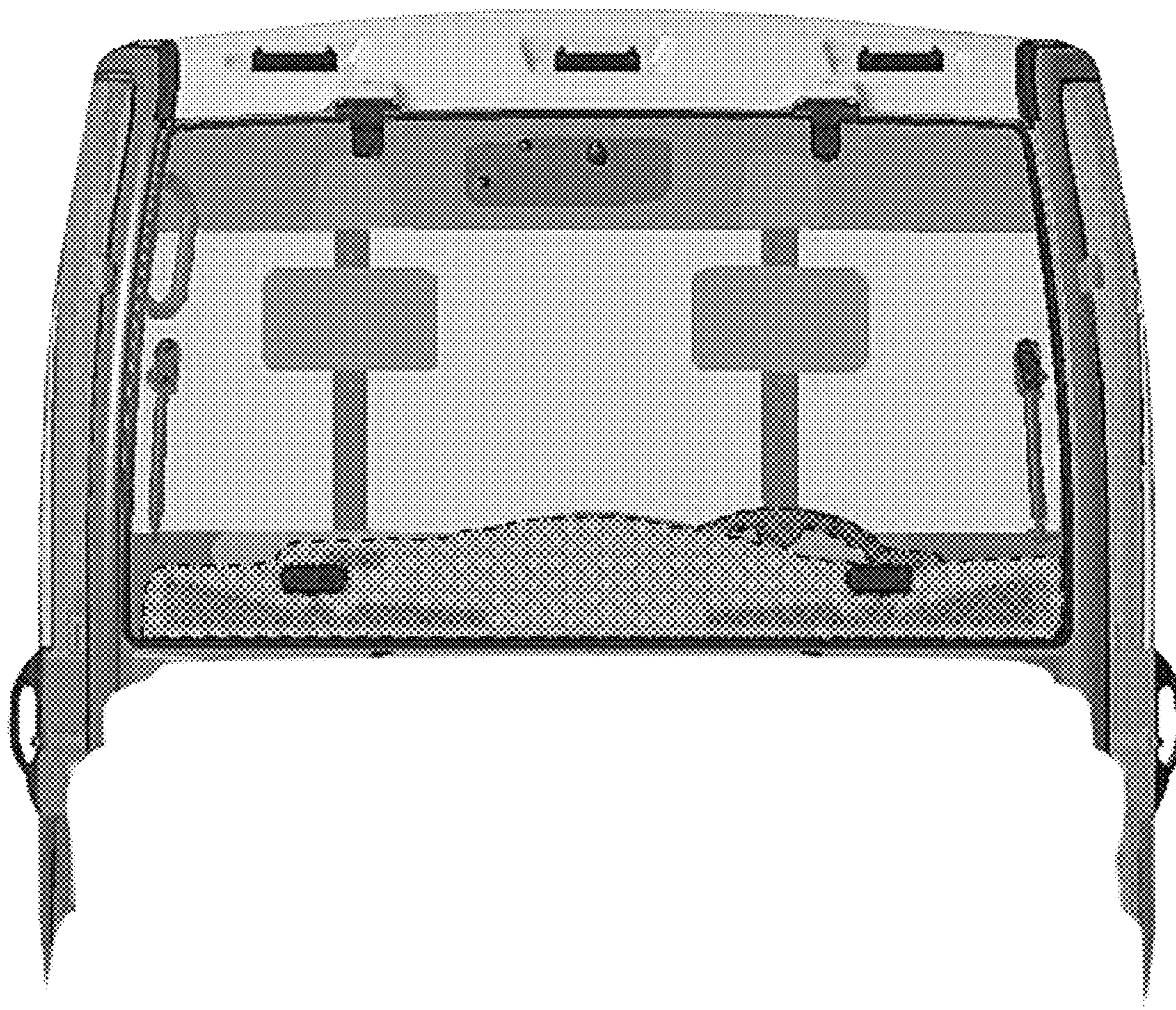


FIG. 4

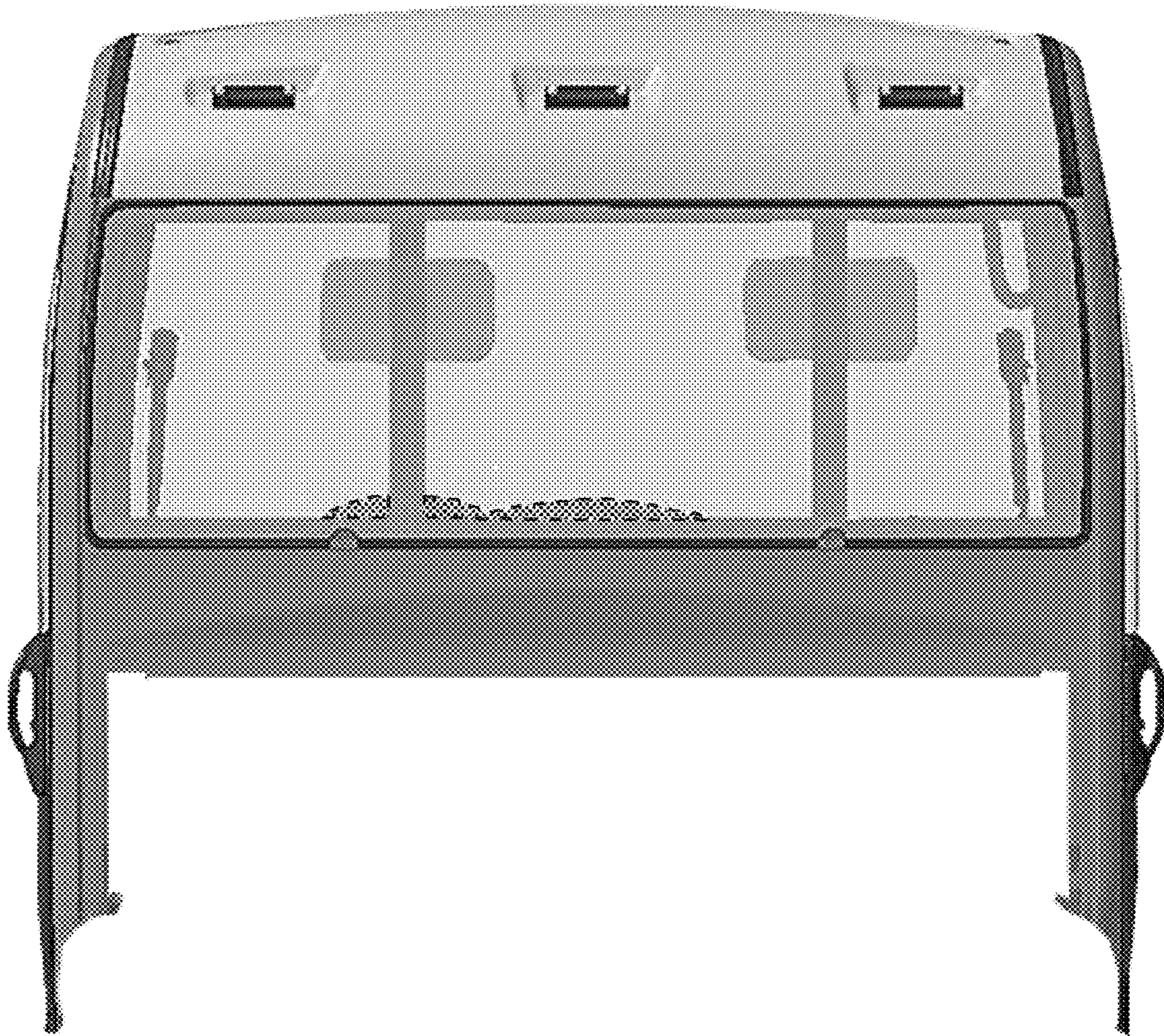


FIG. 5



FIG. 6