

US00D598031S

(12) **United States Design Patent**
Smith et al.

(10) **Patent No.:** **US D598,031 S**
(45) **Date of Patent:** **** Aug. 11, 2009**

(54) **BOOM ARM**

FOREIGN PATENT DOCUMENTS

(75) Inventors: **Tim Smith**, Forest Reefs (AU); **Daniel Webb**, Forest Reefs (AU); **Craig Healey**, Orange (AU); **Collin O'Shaughnessy**, Borenore (AU); **John Healey**, Orange (AU)

AU 303670 S 10/2005
Primary Examiner—Ian Simmons
Assistant Examiner—Mark A Goodwin
(74) *Attorney, Agent, or Firm*—Gordon & Jacobson, PC

(73) Assignee: **Challenge Implements Holdings Pty Limited**, Orange New South Wales (AU)

(57) **CLAIM**

The ornamental design for a boom arm, as shown and described.

(**) Term: **14 Years**

DESCRIPTION

(21) Appl. No.: **29/305,734**

FIG. 1 is a top rear right side view of a boom arm showing our new design;

(22) Filed: **Mar. 27, 2008**

FIG. 2 is a top rear view thereof;

(30) **Foreign Application Priority Data**

Sep. 28, 2007 (AU) 19995/2007

FIG. 3 is a right side view thereof;

FIG. 4 is a left side view thereof;

(51) **LOC (9) Cl.** **15-03**

(52) **U.S. Cl.** **D15/28; D15/32**

(58) **Field of Classification Search** D15/10,
D15/22-25, 28, 32; D34/36; 37/304, 468;
172/272-275; 212/347; 180/89.1, 311, 89.12,
180/89.13; 414/685-688, 722-724, 540,
414/559, 694, 708, 918, 680, 800, 698, 699,
414/713

FIG. 5 is a bottom plan view thereof;

FIG. 6 is a rear view thereof;

FIG. 7 is a top plan view thereof;

FIG. 8 is a front view thereof;

FIG. 9 is a top front perspective view thereof;

FIG. 10 is another right side view thereof;

FIG. 11 is another left side view thereof;

FIG. 12 is another bottom plan view thereof;

FIG. 13 is another rear view thereof;

FIG. 14 is another top plan view thereof; and,

FIG. 15 is another front view thereof.

See application file for complete search history.

The figures are not necessarily shown in scale with each other in order to show clarity of line and detail for each view. The broken line representations in the figures define the bounds of the claimed design and form no part of the claimed design.

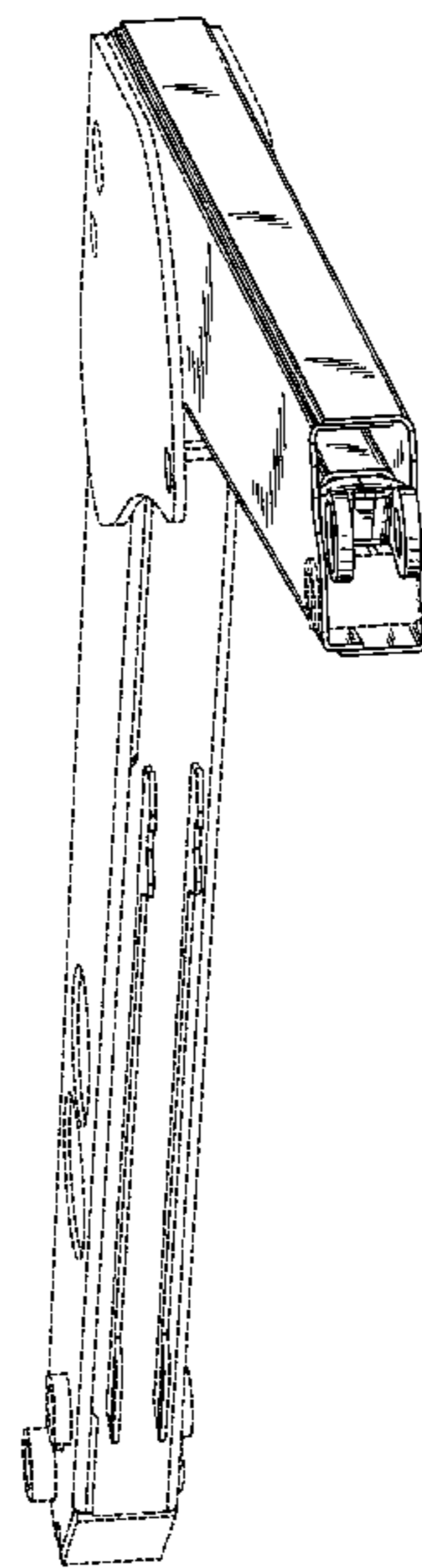
(56) **References Cited**

U.S. PATENT DOCUMENTS

3,254,780 A * 6/1966 Midtbo 414/715
4,033,469 A * 7/1977 Frank 414/686
4,161,369 A * 7/1979 Moreno 414/722
4,266,906 A * 5/1981 Langenfeld et al. 414/686

(Continued)

1 Claim, 11 Drawing Sheets



US D598,031 S

Page 2

U.S. PATENT DOCUMENTS

4,383,793	A *	5/1983	Weir	414/686	6,996,926	B2 *	2/2006	Fatemi	37/468
4,480,955	A *	11/1984	Andrews et al.	414/723	7,001,133	B2 *	2/2006	Muramoto	414/686
4,538,955	A *	9/1985	Langenfeld et al.	414/686	D518,075	S *	3/2006	Westendorf et al.	D15/32
4,576,543	A *	3/1986	Kuchyt et al.	414/722	7,014,411	B2 *	3/2006	Westendorf et al.	414/686
D294,032	S *	2/1988	Whiffin	D15/25	D529,053	S *	9/2006	Stender et al.	D15/32
4,793,764	A *	12/1988	Hamm	414/686	D533,883	S *	12/2006	Higashikawa et al.	D15/32
5,152,659	A *	10/1992	Waka	414/722	7,168,907	B2 *	1/2007	Lyons et al.	414/686
D339,813	S *	9/1993	Houkom	D15/32	7,172,384	B1 *	2/2007	Westendorf et al.	414/686
5,245,770	A *	9/1993	Ko et al.	37/443	D538,829	S *	3/2007	Nilsson	D15/28
5,611,657	A *	3/1997	Peterson	414/722	2003/0118432	A1 *	6/2003	Lee	414/722
5,639,205	A *	6/1997	Kaczmarczyk et al.	414/723	2003/0126772	A1 *	7/2003	Masumoto et al.	37/466
D410,240	S *	5/1999	Sasaki	D15/32	2003/0175105	A1 *	9/2003	Hilvers et al.	414/685
D412,913	S *	8/1999	Sasaki	D15/32	2004/0000077	A1 *	1/2004	Fatemi	37/468
6,158,949	A *	12/2000	Walth et al.	414/722	2004/0018078	A1 *	1/2004	Vicars et al.	414/900
D451,105	S *	11/2001	Masumoto et al.	D15/28	2004/0028514	A1 *	2/2004	Mimuro	414/685
6,349,489	B1 *	2/2002	Sasaki et al.	37/443	2004/0042888	A1 *	3/2004	Westendorf et al.	414/723
D459,368	S *	6/2002	Westendorf et al.	D15/32	2005/0175438	A1 *	8/2005	Stender et al.	414/680
6,487,797	B1 *	12/2002	Inoue et al.	37/188	2006/0073003	A1 *	4/2006	Fukudome et al.	414/686
6,536,652	B2 *	3/2003	Sasaki et al.	228/173.6	2006/0107557	A1 *	5/2006	Fatemi	37/466
6,606,805	B2 *	8/2003	Kimble et al.	37/468	2006/0254096	A1 *	11/2006	Poire	37/468
6,637,111	B2 *	10/2003	Sasaki et al.	29/891	2007/0020078	A1 *	1/2007	Frey	414/686
D507,004	S *	7/2005	Westendorf et al.	D15/32	2007/0031233	A1 *	2/2007	Frey	414/685
6,986,634	B2 *	1/2006	Westendorf et al.	414/686	2007/0292255	A1 *	12/2007	Nilsson	414/686
					2008/0063502	A1 *	3/2008	Nilsson	414/685

* cited by examiner

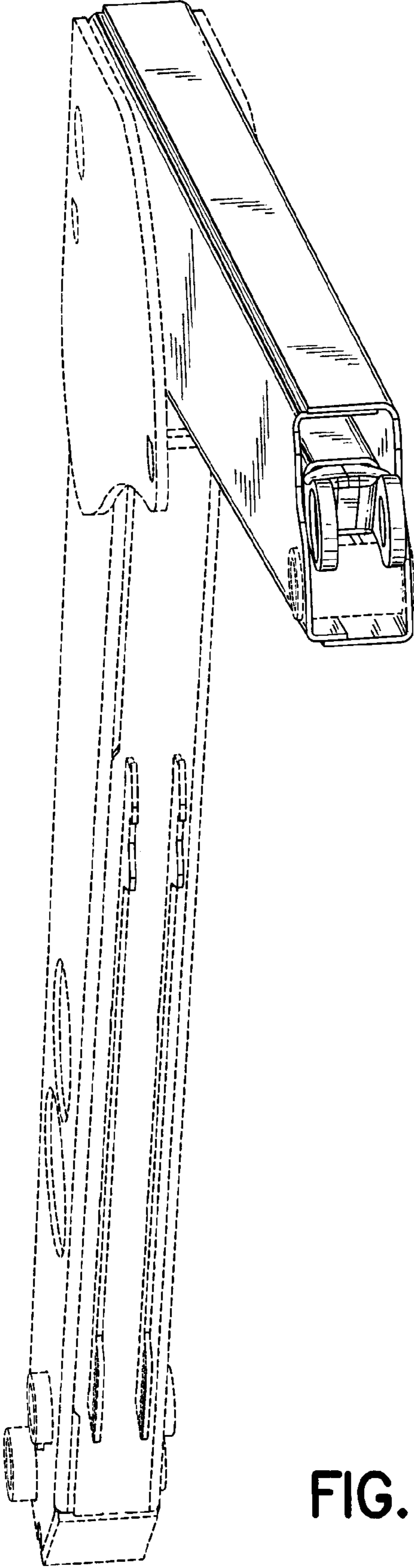


FIG. 1

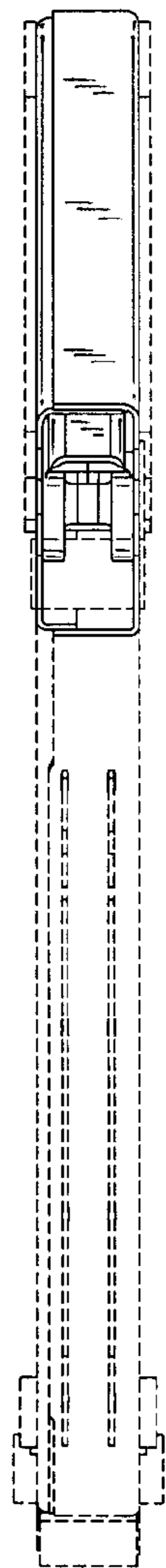


FIG. 2

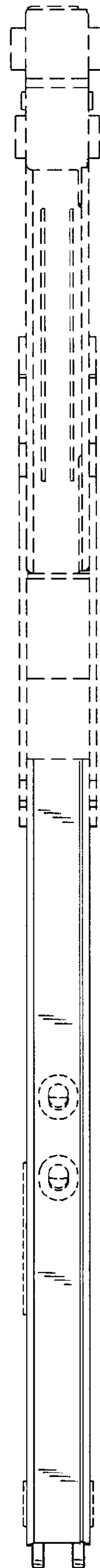


FIG. 5

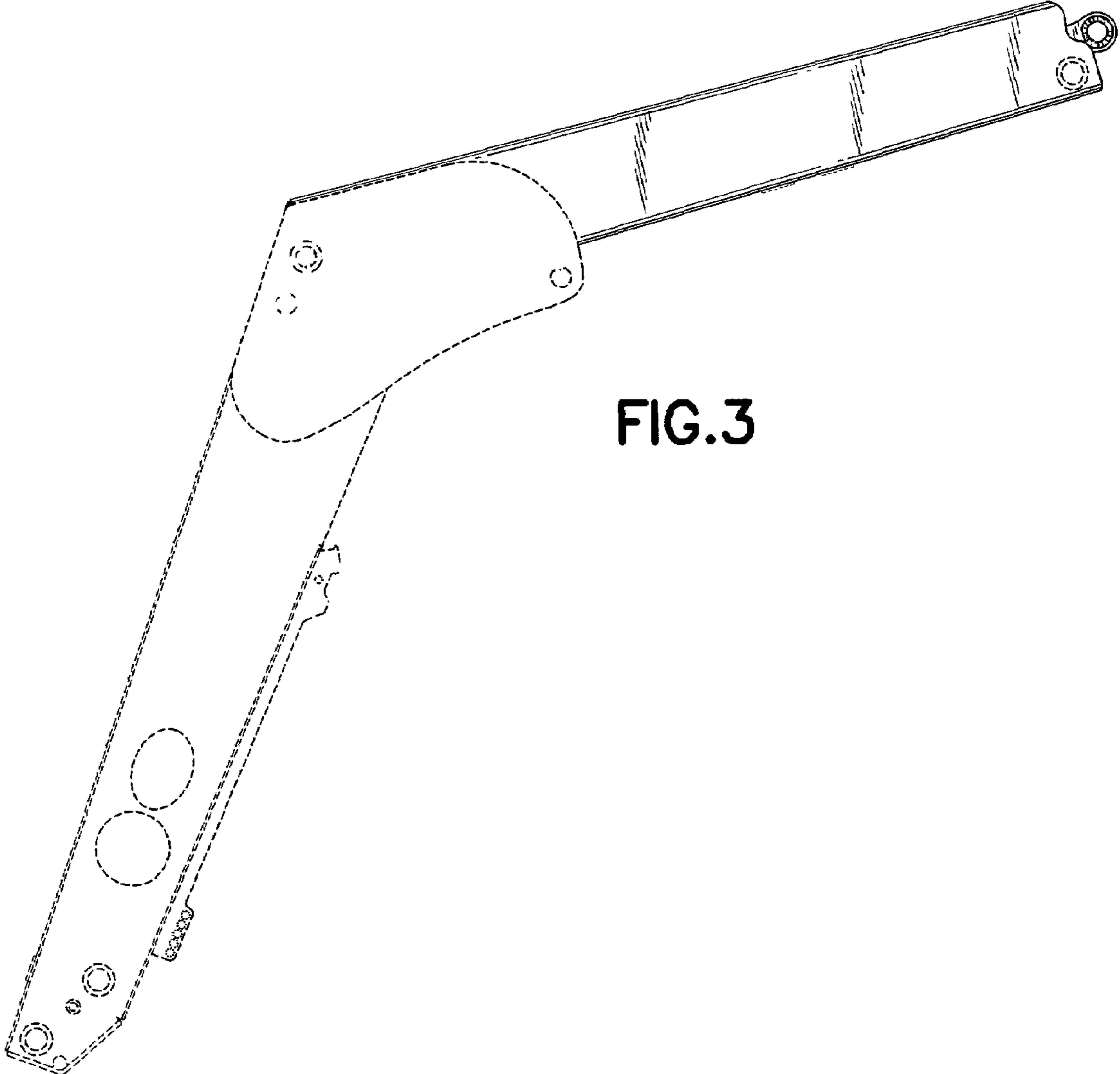


FIG.3

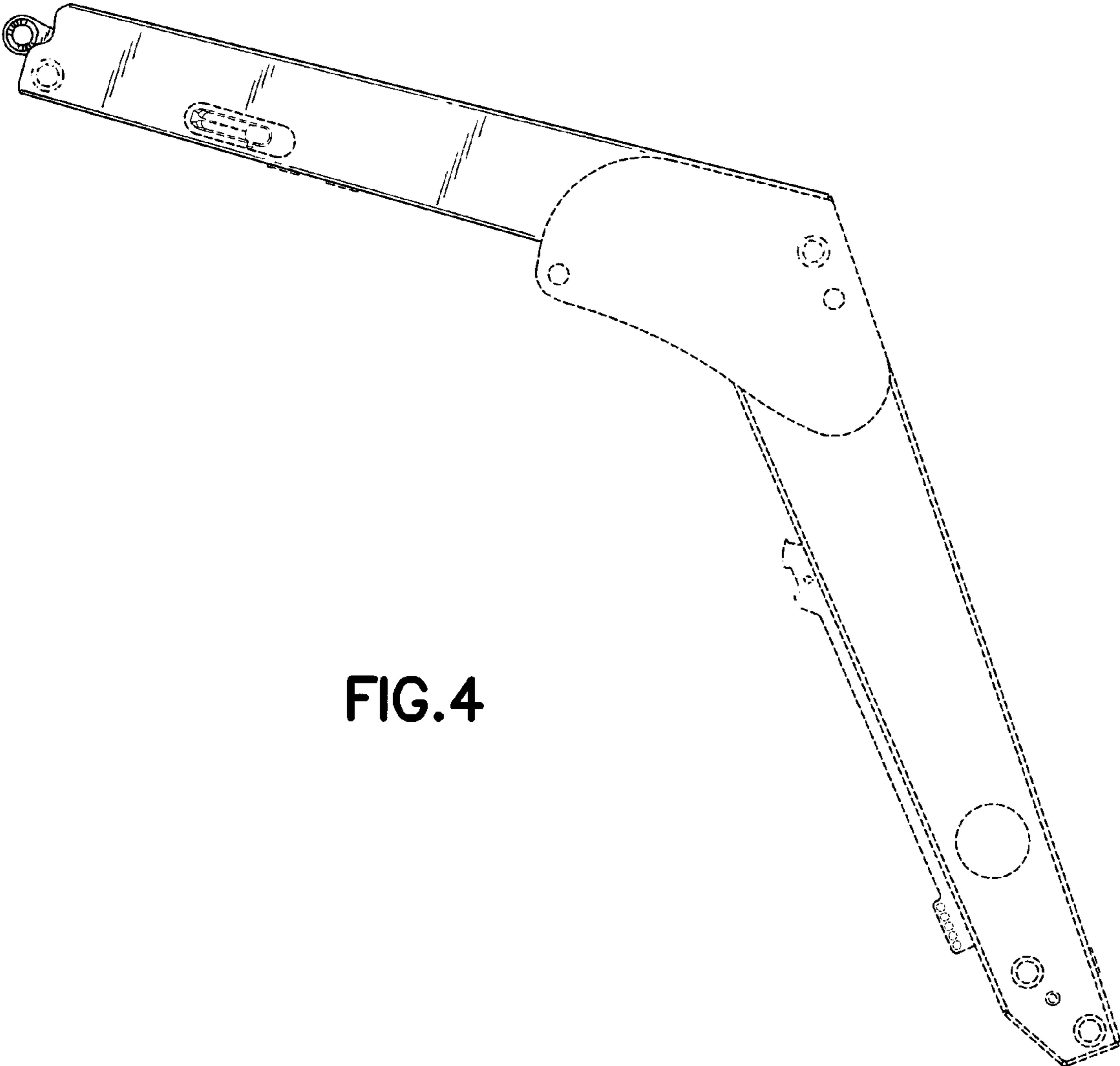


FIG. 4

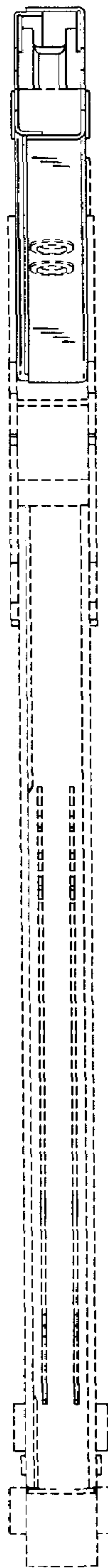


FIG.6

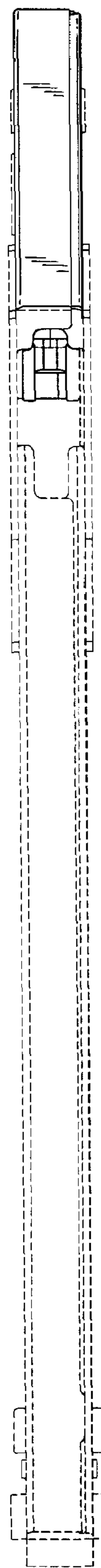


FIG.8

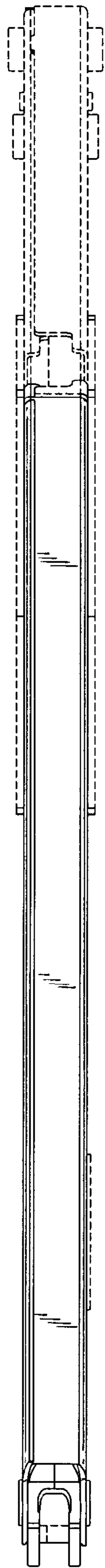


FIG. 7

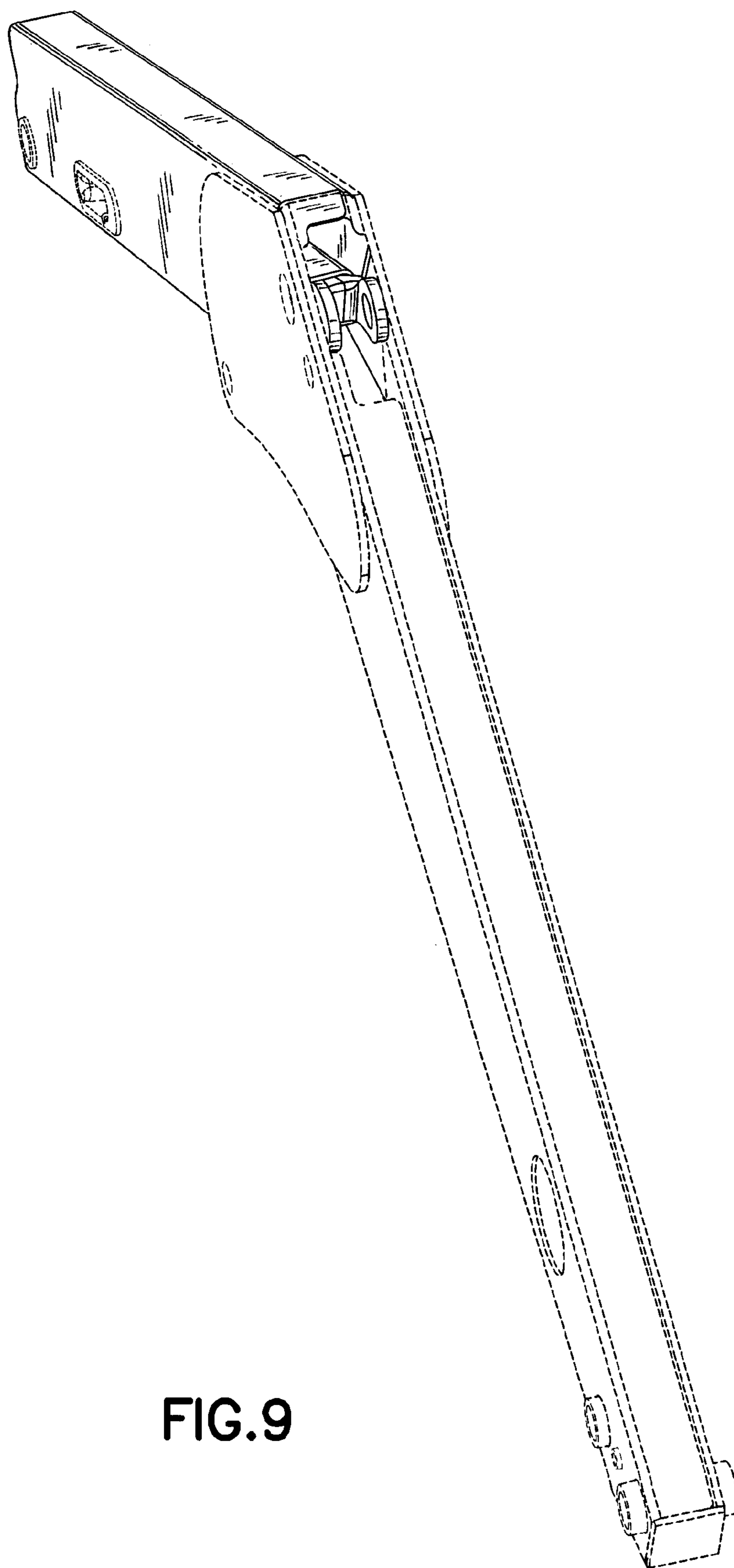


FIG. 9

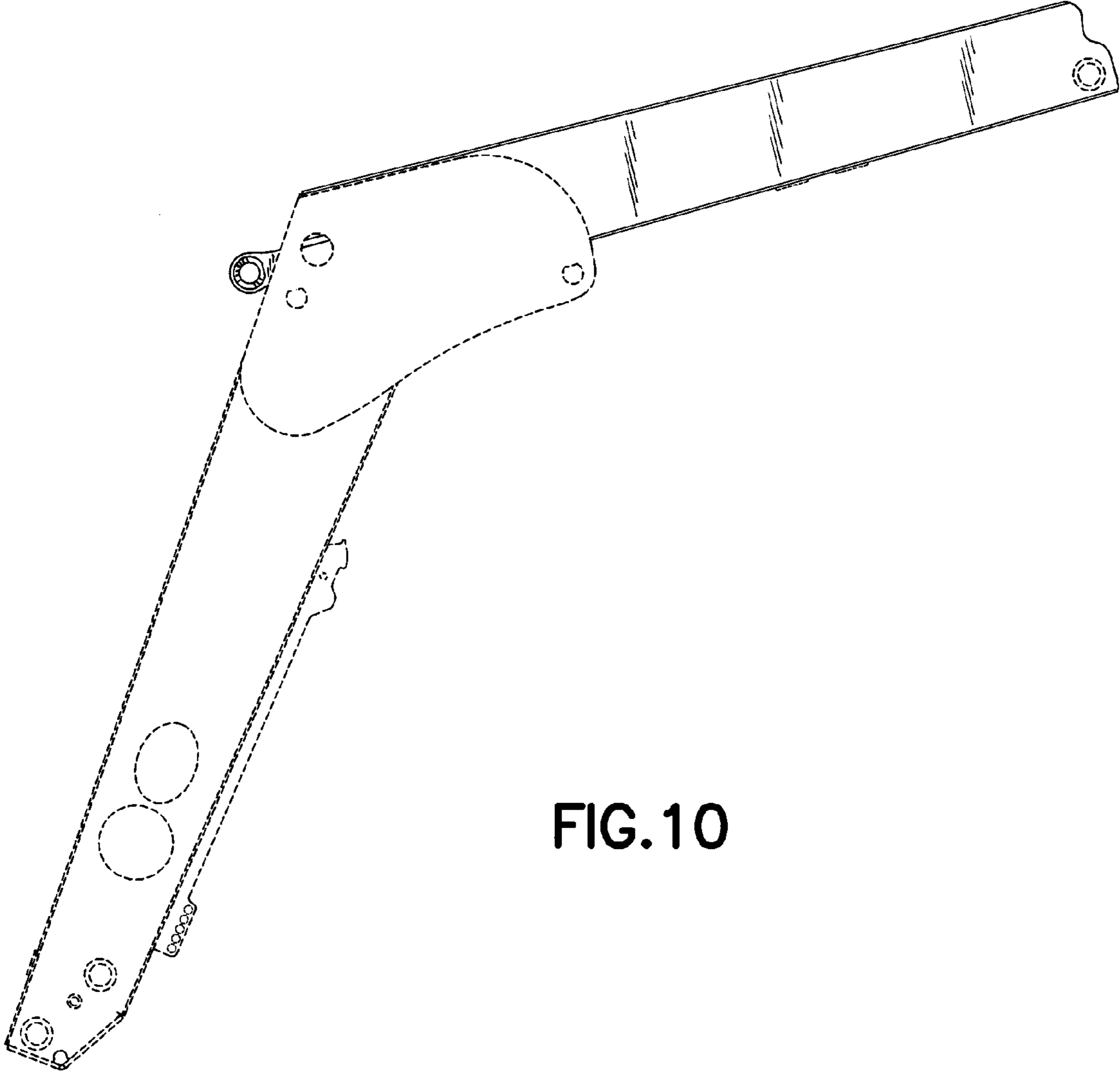


FIG. 10

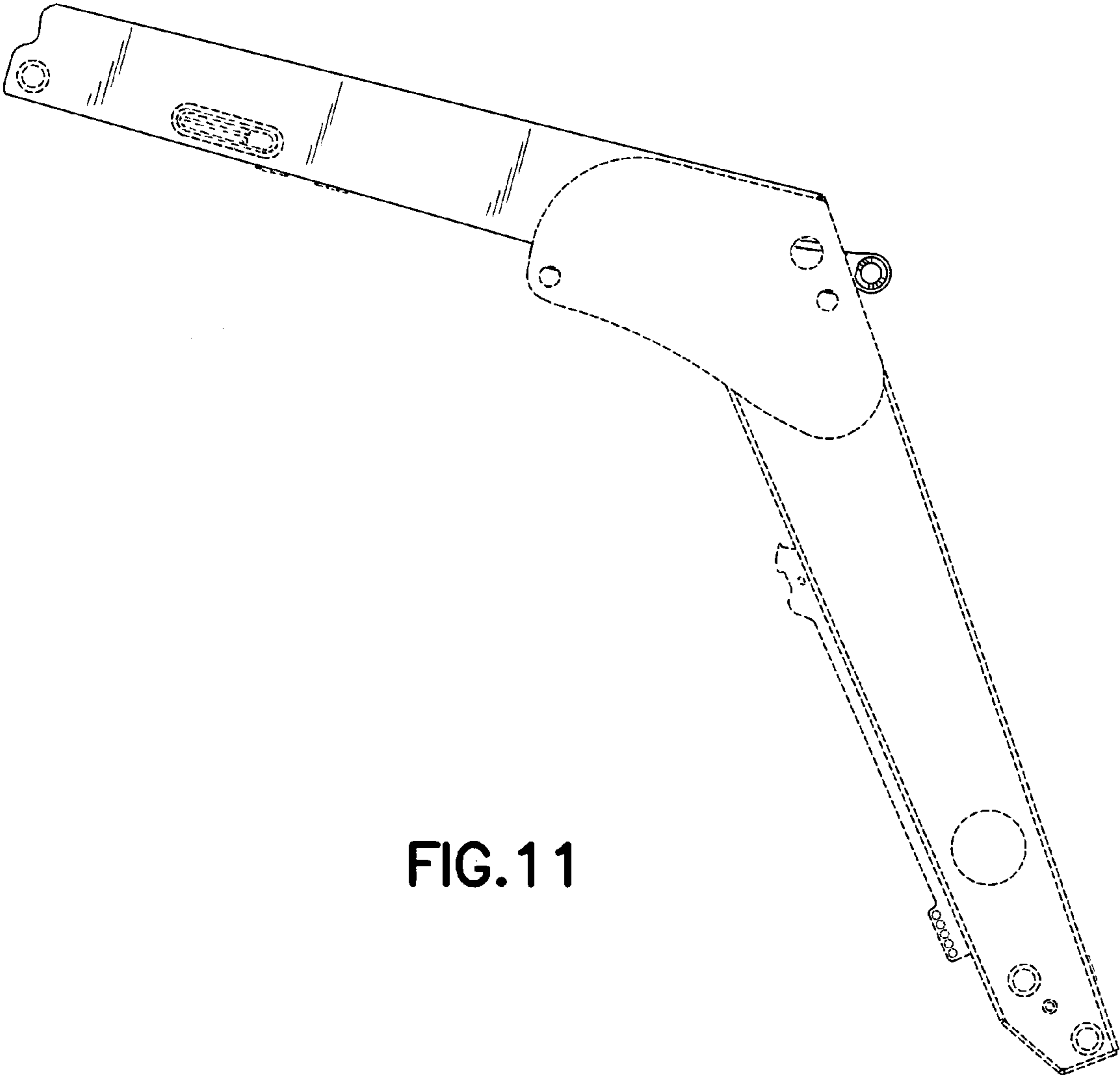


FIG. 11

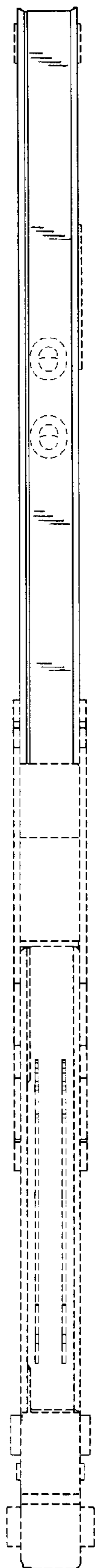


FIG. 12

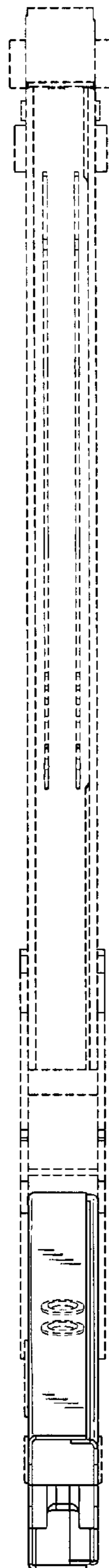


FIG. 13

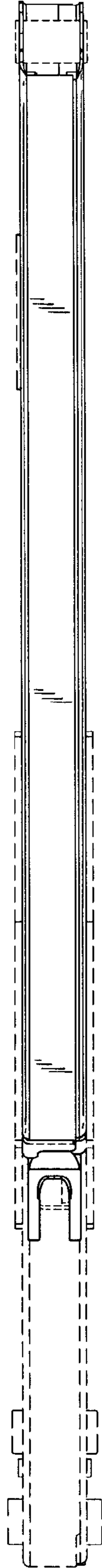


FIG. 14

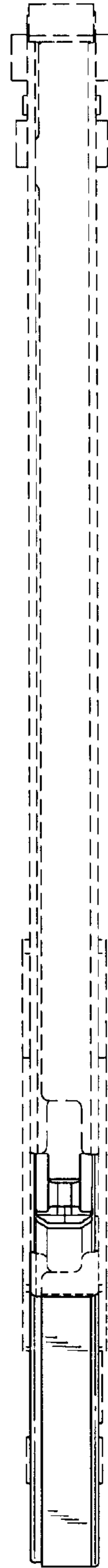


FIG. 15