



US00D598028S

(12) **United States Design Patent**
Motouji et al.

(10) **Patent No.:** **US D598,028 S**

(45) **Date of Patent:** **** Aug. 11, 2009**

(54) **ICON FOR A PORTION OF A DISPLAY SCREEN**

(75) Inventors: **Satoshi Motouji**, Ayabe (JP); **Koyuru Nakano**, Nara (JP)

(73) Assignee: **Omron Corporation**, Kyoto (JP)

(**) Term: **14 Years**

(21) Appl. No.: **29/279,176**

(22) Filed: **Apr. 23, 2007**

(51) **LOC (9) Cl.** **32-00**

(52) **U.S. Cl.** **D14/489**

(58) **Field of Classification Search** D14/485-495;
D18/26, 31-33; D20/11-12, 23-25, 29-32,
D20/36-38; 715/700-867, 973-977
See application file for complete search history.

(56) **References Cited**

U.S. PATENT DOCUMENTS

D395,291	S	*	6/1998	Mason et al.	D14/490
6,046,741	A	*	4/2000	Hochmuth	715/704
D457,529	S	*	5/2002	McRae	D14/489
D459,361	S	*	6/2002	Inagaki	D14/486
D465,497	S	*	11/2002	Weng et al.	D14/485
D471,205	S	*	3/2003	Lane	D14/489
D471,226	S	*	3/2003	Gray	D18/27
D485,846	S	*	1/2004	Bungert	D14/489
D488,482	S	*	4/2004	Bungert	D14/489

D489,379	S	*	5/2004	Bungert	D14/489
D511,168	S	*	11/2005	Totten et al.	D14/491
D553,635	S	*	10/2007	Blencowe	D14/486
D553,636	S	*	10/2007	Blencowe	D14/486
D553,637	S	*	10/2007	Blencowe	D14/486
D563,990	S	*	3/2008	Okuyama	D14/492
D563,991	S	*	3/2008	Okuyama	D14/492
D574,847	S	*	8/2008	O'Donnell et al.	D14/492
D574,848	S	*	8/2008	O'Donnell et al.	D14/492
D576,635	S	*	9/2008	Nathan et al.	D14/488

* cited by examiner

Primary Examiner—Cathron C Brooks

Assistant Examiner—Karen E Kearney

(74) *Attorney, Agent, or Firm*—Harness, Dickey & Pierce PLC

(57) **CLAIM**

The ornamental design for an icon for a portion of a display screen, as shown and described.

DESCRIPTION

FIG. 1 is a front view of an icon for a portion of a display screen showing our new design; and,

FIG. 2 is a front view of an icon for a portion of a display screen showing our new design.

The broken line showing of the portion of a display screen is for illustrative purposes only and forms no part of the claimed design.

1 Claim, 2 Drawing Sheets

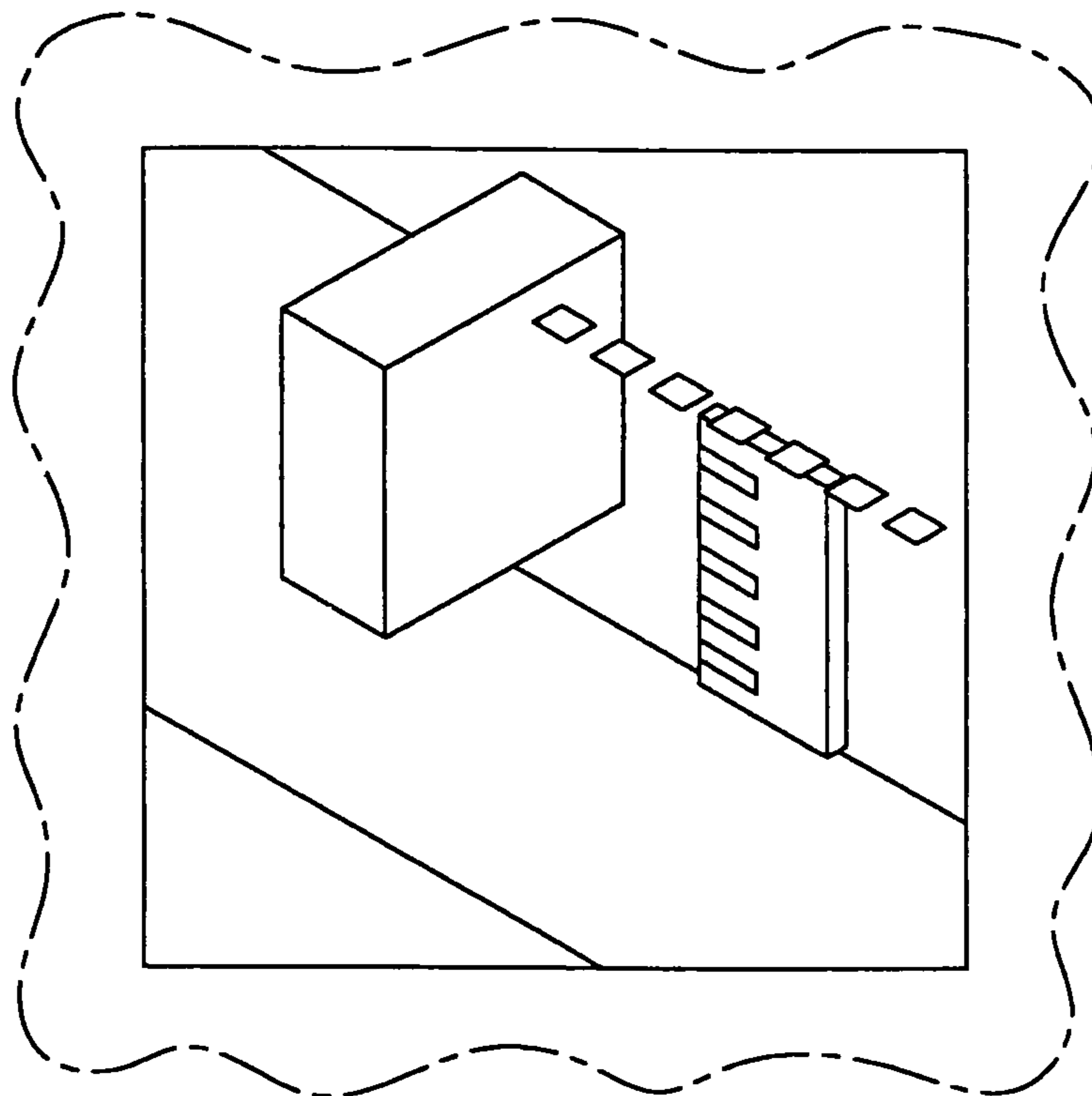


Fig. 1

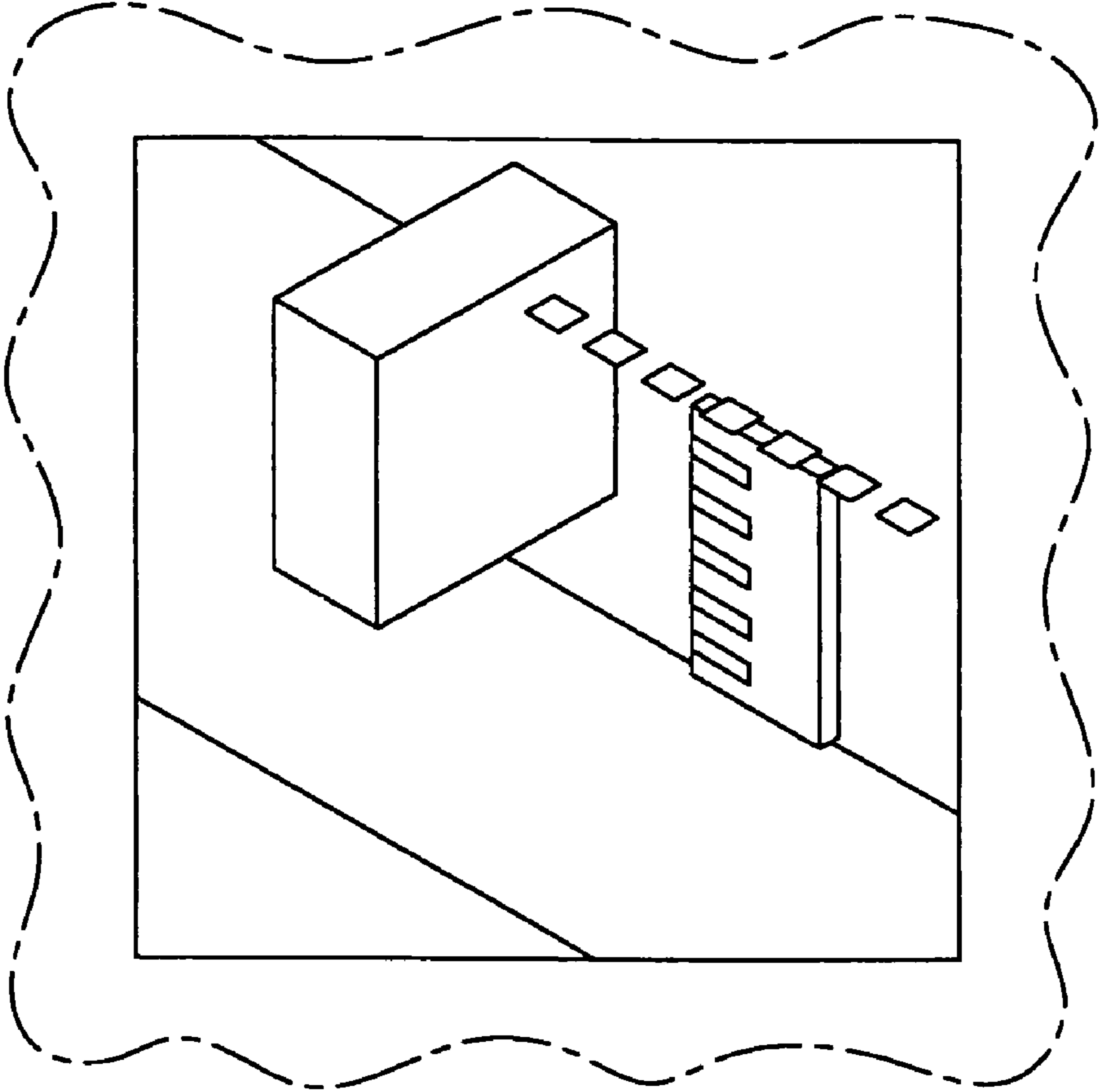


Fig. 2

