



US00D598023S

(12) **United States Design Patent**
Miller et al.

(10) **Patent No.:** **US D598,023 S**

(45) **Date of Patent:** **** Aug. 11, 2009**

(54) **JOYSTICK**

(75) Inventors: **Norman R. Miller**, East Peoria, IL (US);
Steven C. Budde, Dunlap, IL (US);
Jamie L. McClintock, Washington, IL
(US); **Rafael R. Dela Rosa**, Dunlap, IL
(US); **Lalit S. Deshpande**, Peoria, IL
(US); **Robert L. Stamate**, Chillicothe,
IL (US); **Douglas J. Husted**, Eureka, IL
(US)

(73) Assignee: **Caterpillar Inc.**, Peoria, IL (US)

(**) Term: **14 Years**

(21) Appl. No.: **29/308,828**

(22) Filed: **Jul. 10, 2008**

(51) **LOC (9) Cl.** **14-02**

(52) **U.S. Cl.** **D14/412; D34/35; D15/142;**
D12/174

(58) **Field of Classification Search** D14/217,
D14/218, 356, 288, 299-401, 412-416, 432-434,
D14/447, 454, 457, 496; D21/324, 332,
D21/333; D34/27, 35; 463/1, 30, 36-38,
463/46, 47; 345/156-161, 905; D12/174,
D12/178-180; D8/300, 303; D15/138, 142;
74/489, 502.2, 523, 551.8, 551.9

See application file for complete search history.

(56) **References Cited**

U.S. PATENT DOCUMENTS

| | | | | |
|--------------|--------|-----------------|-------|---------|
| D347,028 S * | 5/1994 | Galden | | D14/412 |
| D382,865 S * | 8/1997 | Jensen | | D14/412 |
| D441,366 S * | 5/2001 | Alviar et al. | | D14/412 |
| D444,468 S * | 7/2001 | Miller et al. | | D14/412 |
| D462,685 S * | 9/2002 | Yamamoto et al. | | D14/415 |
| D506,422 S * | 6/2005 | Crookes | | D12/179 |

| | | | | |
|--------------|---------|----------------|-------|---------|
| D526,757 S * | 8/2006 | Bergman et al. | | D34/35 |
| D559,749 S * | 1/2008 | Barbieri | | D12/179 |
| D568,796 S * | 5/2008 | Oliver et al. | | D12/179 |
| D577,359 S * | 9/2008 | Cigarini | | D14/416 |
| D579,936 S * | 11/2008 | Hu | | D14/405 |
| D581,328 S * | 11/2008 | Kluck | | D12/179 |
| D581,843 S * | 12/2008 | Kluck | | D12/179 |

* cited by examiner

Primary Examiner—Stella M Reid

Assistant Examiner—Keli L Hill

(74) *Attorney, Agent, or Firm*—Richard K. C. Chang, II

(57) **CLAIM**

The ornamental design for a joystick, as shown and described.

DESCRIPTION

FIG. 1 is a top view of a right-handed joystick, embodying our new design, a left-handed joystick being a mirror image thereto;

FIG. 2 is a left side view thereof;

FIG. 3 is a front view thereof;

FIG. 4 is a right side view thereof;

FIG. 5 is a rear view thereof;

FIG. 6 is a bottom view thereof; and,

FIG. 7 is an isometric view thereof.

FIGS. 1-7 depict a right-handed joystick, a left-handed joystick is a mirror image thereto.

The broken lines immediately adjacent the shaded areas represent the bounds of the claimed design while all other broken lines are directed to environment and are for illustrative purposes only; the broken lines form no part of the claimed design.

1 Claim, 7 Drawing Sheets

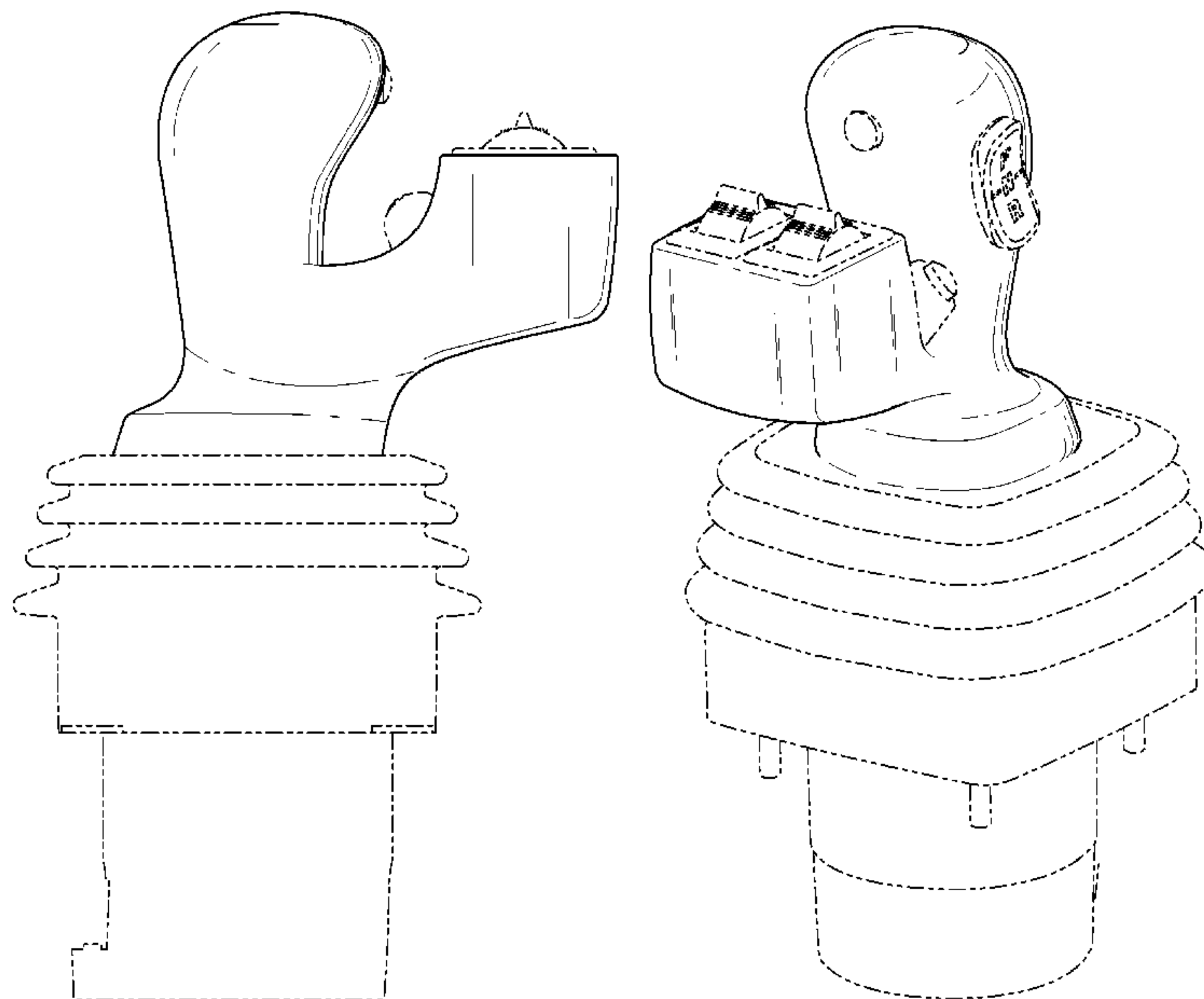


FIG. 1

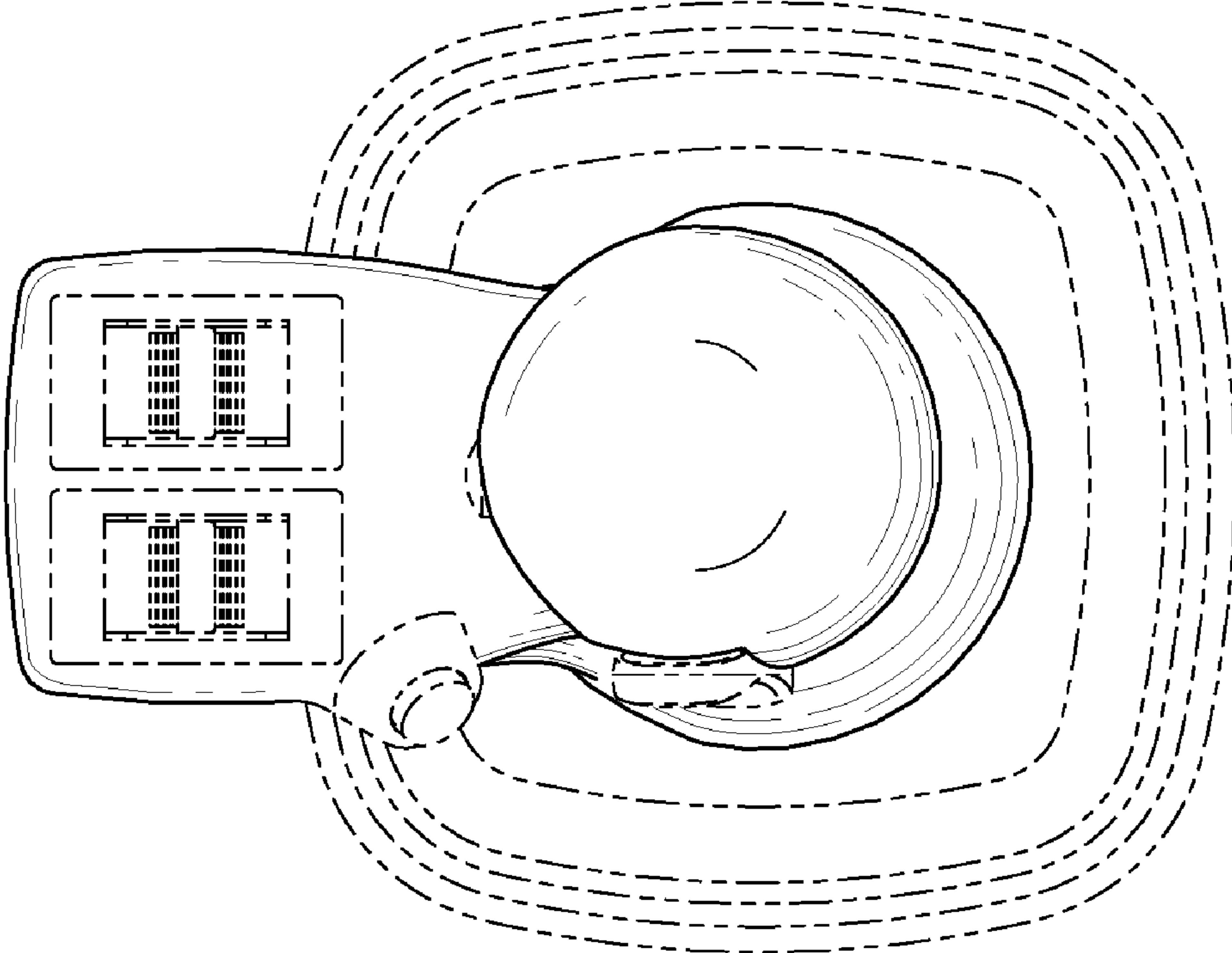


FIG. 2

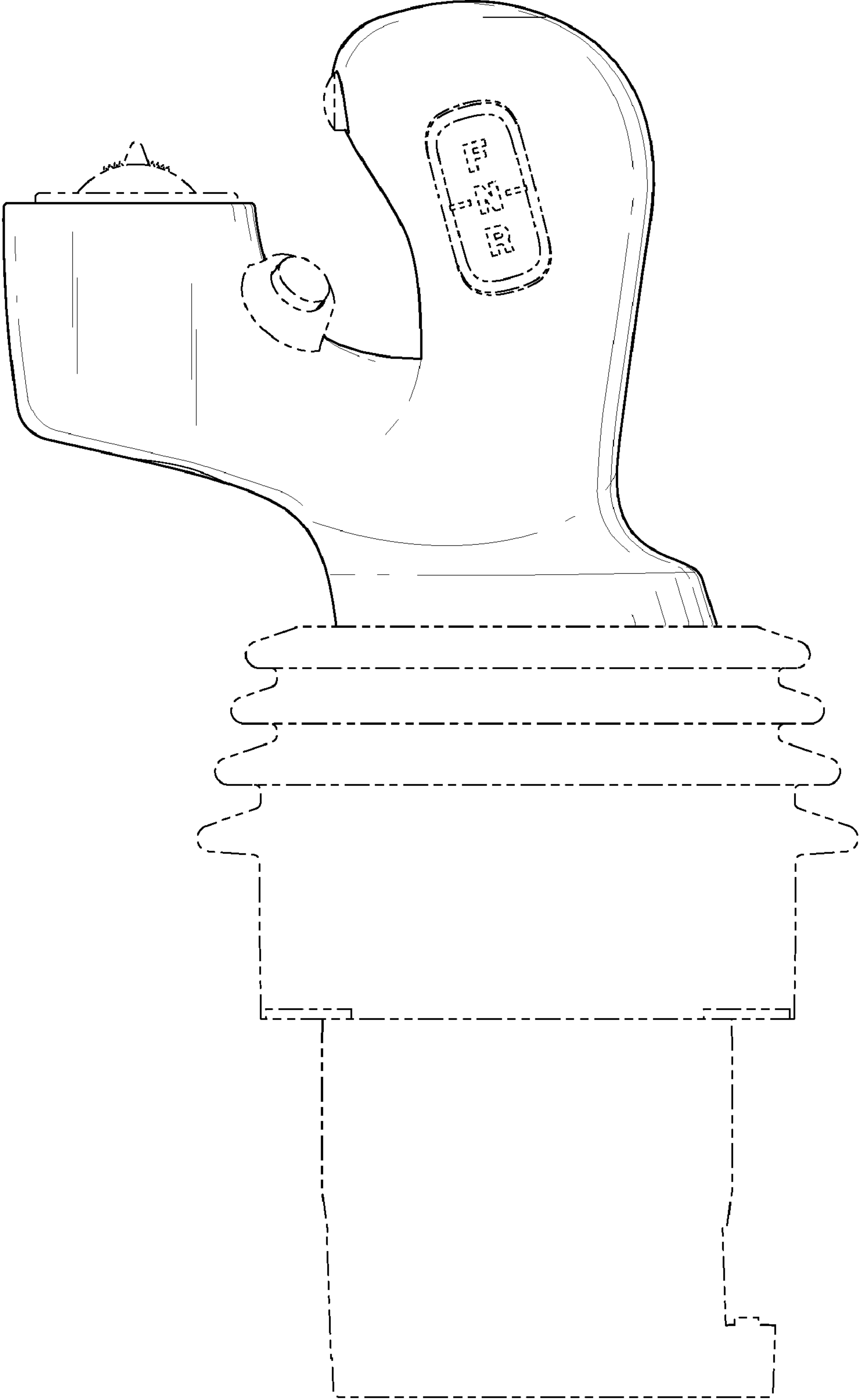


FIG. 3

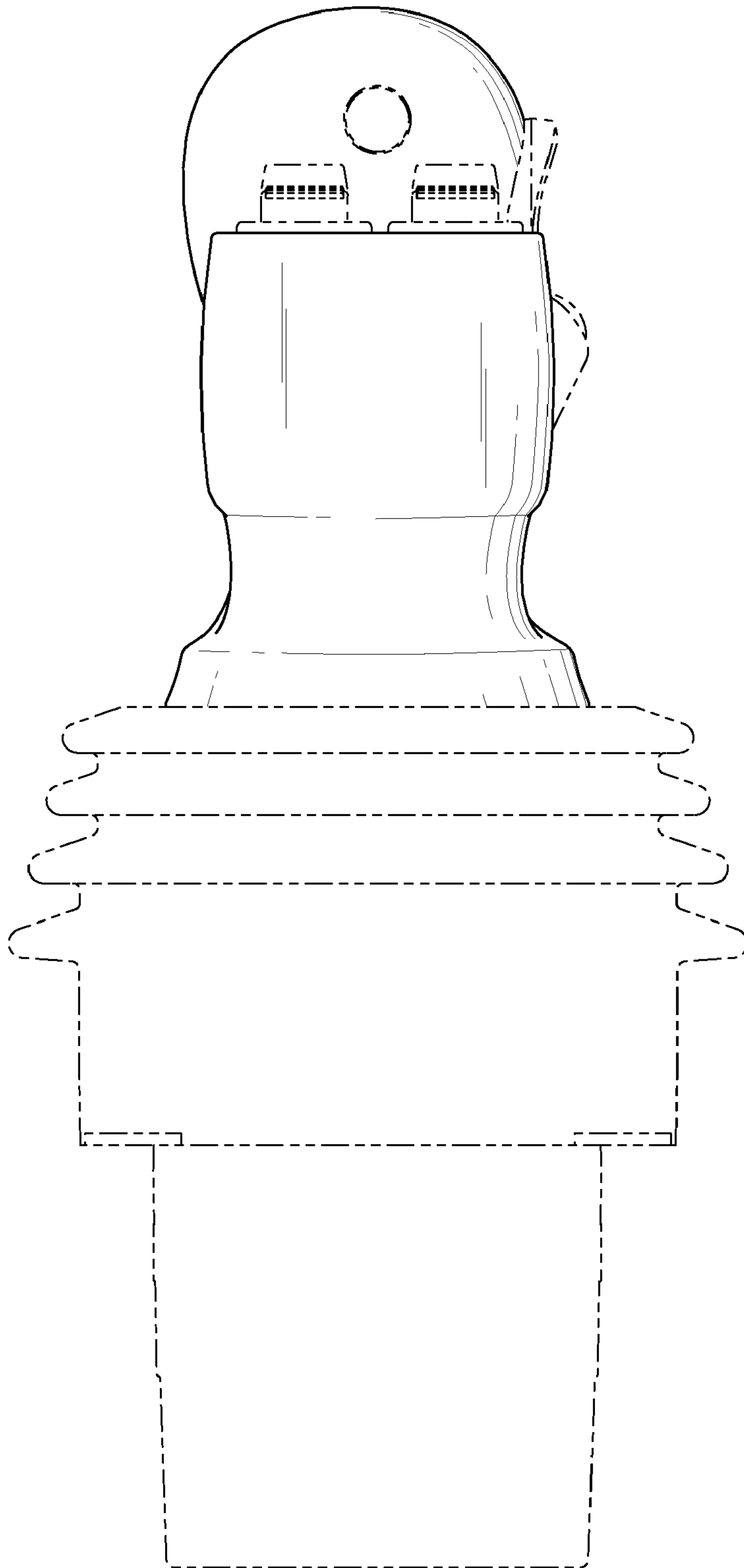


FIG. 4

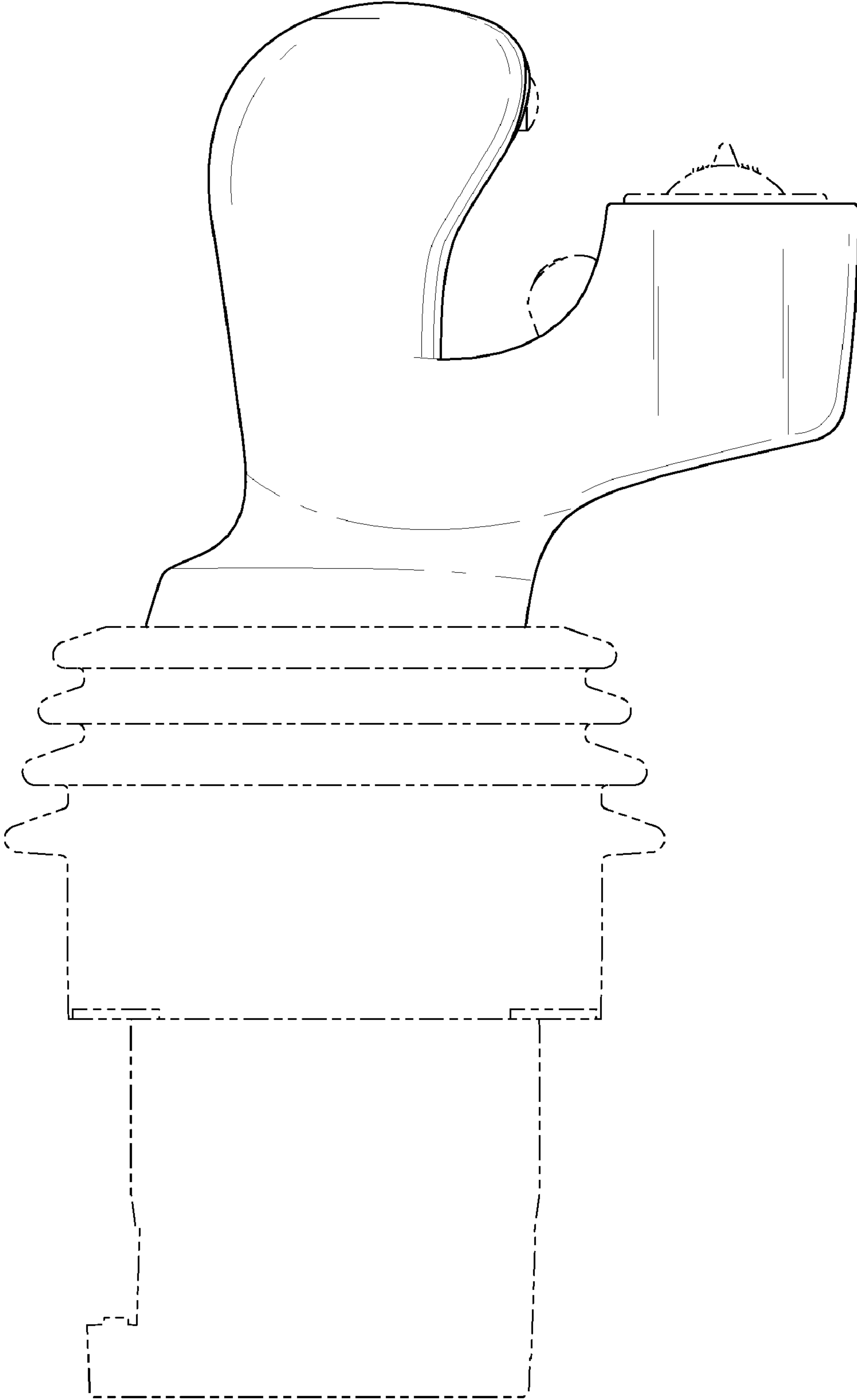


FIG. 5

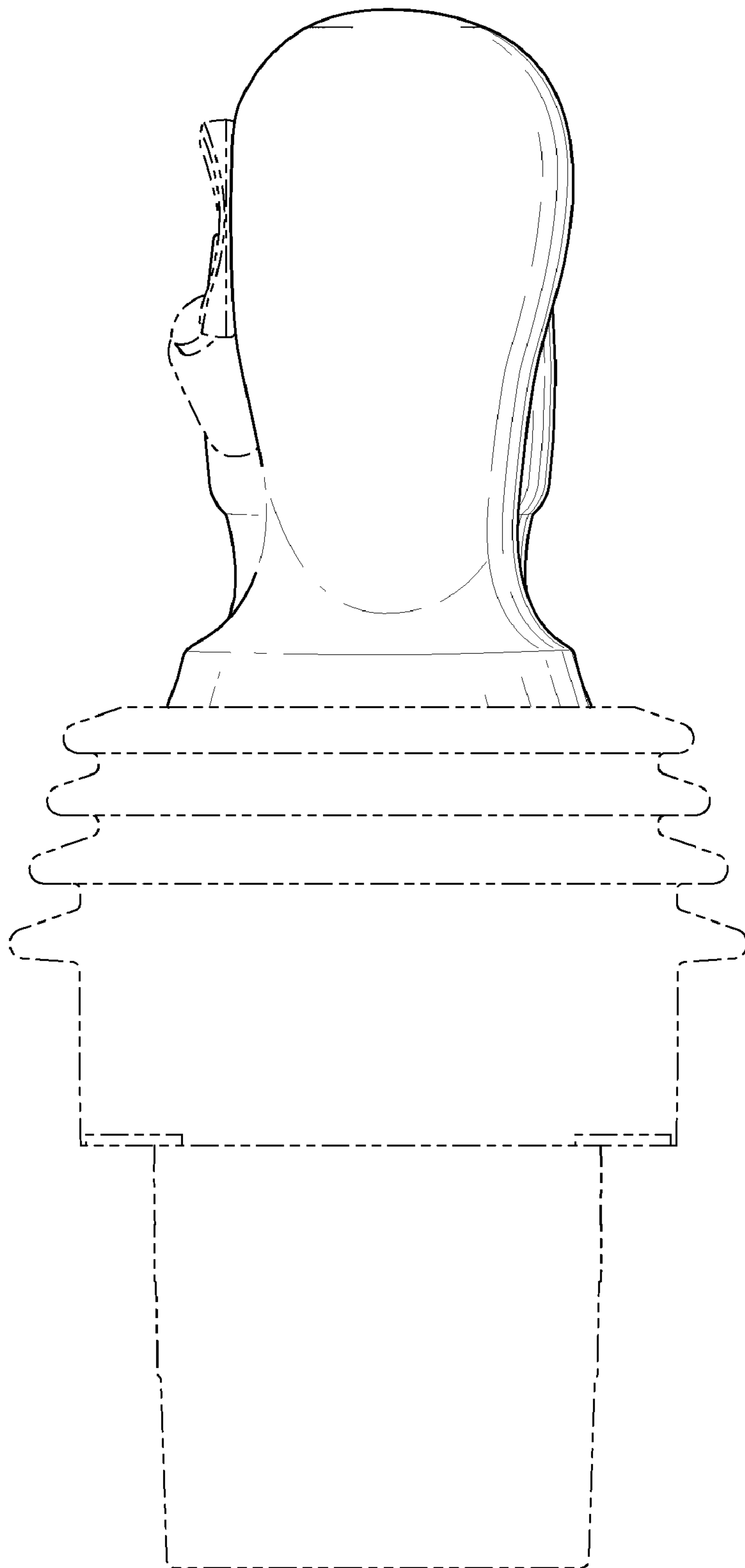


FIG. 6

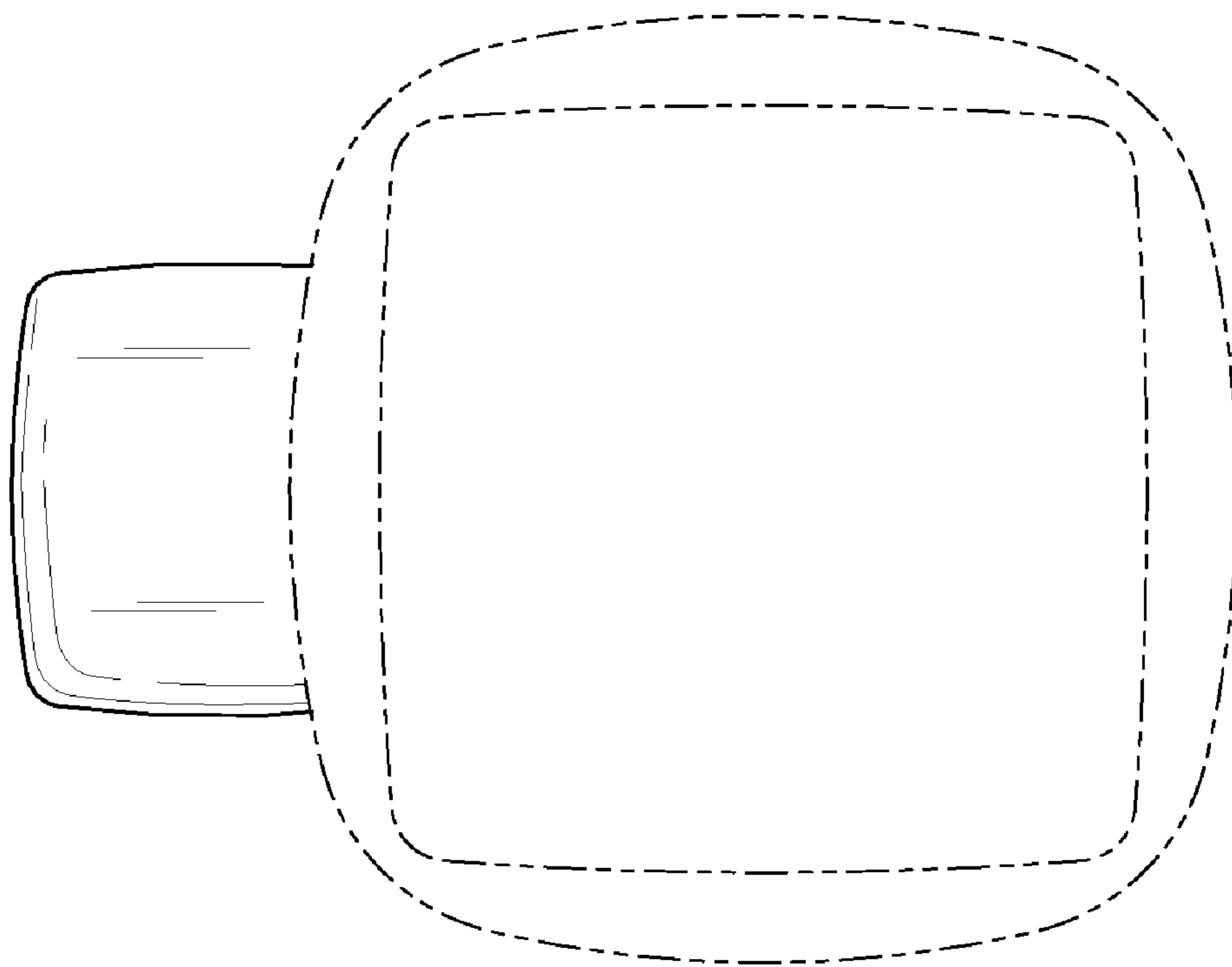


FIG. 7

