



US00D598018S

(12) **United States Design Patent**  
**Sumii**

(10) **Patent No.:** **US D598,018 S**

(45) **Date of Patent:** **\*\* Aug. 11, 2009**

(54) **SERVER**

D308,521 S 6/1990 Lonczak

(Continued)

(75) Inventor: **Tetsu Sumii**, Tokyo (JP)

**FOREIGN PATENT DOCUMENTS**

(73) Assignee: **Sony Corporation**, Tokyo (JP)

JP D1201299 S 4/2004

(\*\*) Term: **14 Years**

**OTHER PUBLICATIONS**

(21) Appl. No.: **29/309,173**

“CES: Gates and team show off Microsoft’s consumer chops”,  
Between the Lines, ZDNet.com, [online] Jan. 7, 2007 [retrieved on  
Dec. 3, 2007]. Retrieved from the Internet <URL: http://blogs.zdnet.  
com/BTL/?p=4237>.

(22) Filed: **Jun. 30, 2008**

(Continued)

**Related U.S. Application Data**

(63) Continuation-in-part of application No. 29/287,086,  
filed on Jun. 26, 2007, now Pat. No. Des. 581,927.

*Primary Examiner*—Cathron C Brooks

*Assistant Examiner*—Karen E Kearney

(74) *Attorney, Agent, or Firm*—Rader, Fishman & Grauer,  
PLLC

(30) **Foreign Application Priority Data**

Dec. 26, 2006 (JP) ..... D2006-035762  
Dec. 26, 2006 (JP) ..... D2006-035763  
Dec. 26, 2006 (JP) ..... D2006-035764  
Dec. 28, 2007 (JP) ..... D2007-036173

(57) **CLAIM**

The ornamental design for a server, as shown and described.

(51) **LOC (9) Cl.** ..... **14-02**

(52) **U.S. Cl.** ..... **D14/356; D14/301**

(58) **Field of Classification Search** ..... D14/300–301,  
D14/313–314, 348–349, 351–370, 432, 435–436,  
D14/496, 137, 155, 167–168, 240, 214, 299;  
D13/149, 162, 184, 199; D3/201, 273; 711/100,  
711/115; 361/685; 360/132–133, 135; 312/223.1,  
312/223.2; 369/34.01, 36.01, 272.1; 379/93.01;  
720/613

**DESCRIPTION**

FIG. 1 is a perspective view of a server showing my new  
design;

FIG. 2 is a front elevational view thereof;

FIG. 3 is a rear elevational view thereof;

FIG. 4 is a left side elevational view thereof;

FIG. 5 is a right side elevational view thereof;

FIG. 6 is a top plan view thereof; and,

FIG. 7 is a bottom plan view thereof.

The even broken line showing in the figures are for the pur-  
pose of illustrating unclaimed portions. The dot-dash broken  
lines included in FIGS. 3–5 and 7 define, but are not included  
in, the boundaries of the claimed design. All broken lines  
form no part of the claimed design.

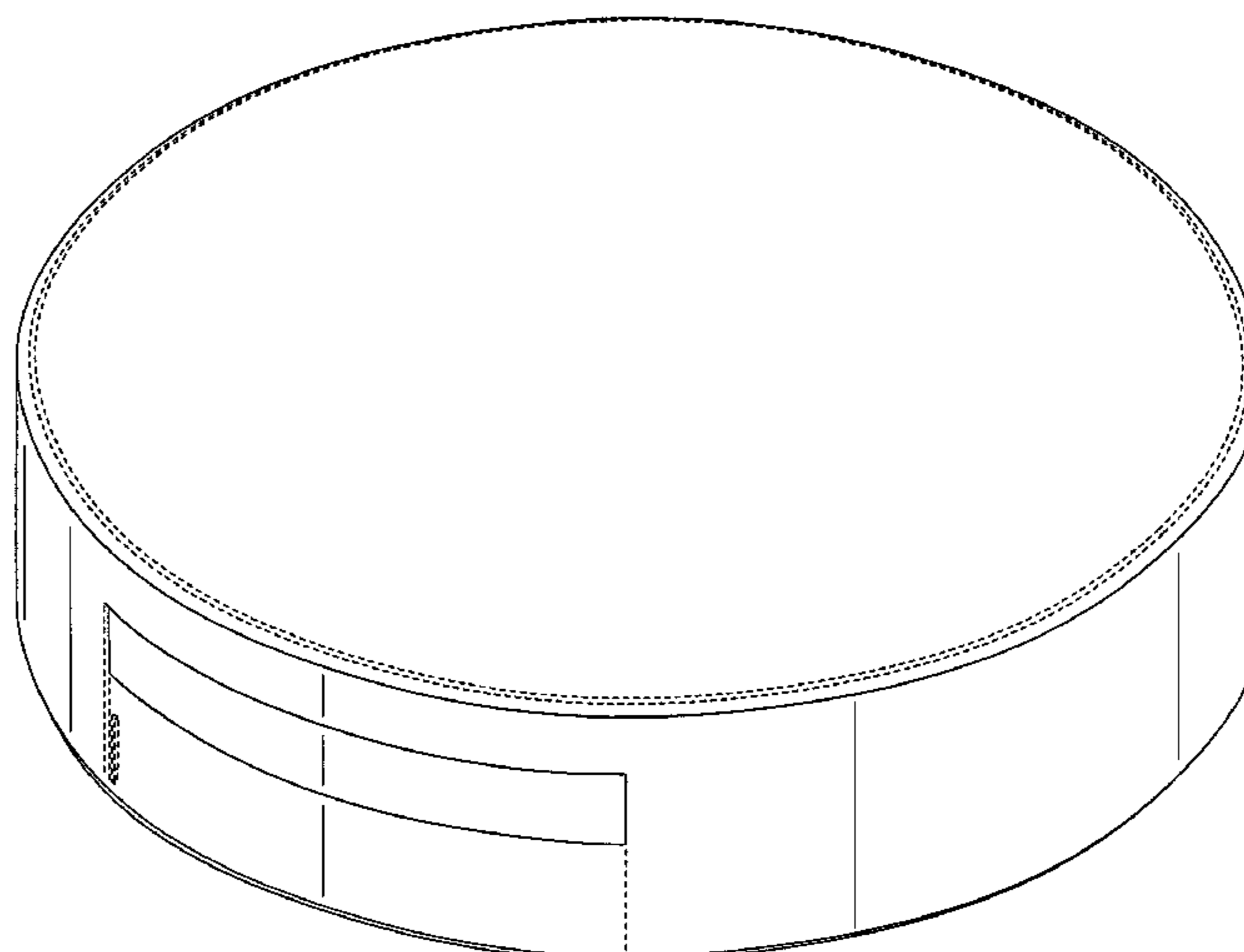
See application file for complete search history.

(56) **References Cited**

**U.S. PATENT DOCUMENTS**

D226,024 S \* 1/1973 Bell ..... D10/102  
D259,093 S 5/1981 Iovino  
D274,048 S \* 5/1984 Wong et al. .... D10/106  
D295,173 S \* 4/1988 Oren ..... D14/168

**1 Claim, 7 Drawing Sheets**



# US D598,018 S

Page 2

## U.S. PATENT DOCUMENTS

D317,132 S 5/1991 Knipfer et al.  
D327,690 S \* 7/1992 Ogawa et al. .... D14/230  
D346,125 S \* 4/1994 Cote et al. .... D10/104  
D346,170 S 4/1994 Tang  
D346,821 S \* 5/1994 Smith ..... D18/56  
D375,198 S \* 11/1996 Tashiro ..... D3/273  
D377,647 S 1/1997 Fekete et al.  
D382,255 S \* 8/1997 Moffatt ..... D14/358  
D387,062 S \* 12/1997 Heine ..... D14/230  
D401,592 S 11/1998 Nishimura et al.  
D412,331 S 7/1999 Nakamura  
D414,476 S 9/1999 Hibino  
D418,142 S 12/1999 Liimatainen et al.  
D427,996 S \* 7/2000 Heiligenstein et al. .... D14/230  
D451,924 S 12/2001 Chu  
D453,329 S 2/2002 Muramatsu  
D456,807 S 5/2002 Floyd  
D475,035 S 5/2003 Takagi  
D498,738 S 11/2004 Matsuoka  
D501,468 S 2/2005 Wang  
D504,882 S 5/2005 Bhavnani

D507,789 S 7/2005 Mangano  
D509,825 S 9/2005 Chen  
D519,979 S 5/2006 Suzuki  
D531,159 S \* 10/2006 Park ..... D14/203.3  
D533,177 S \* 12/2006 Andre et al. .... D14/314  
D537,409 S 2/2007 Suzuki  
D558,764 S \* 1/2008 Kuo et al. .... D14/358  
D577,356 S \* 9/2008 Moon et al. .... D14/215  
D581,927 S \* 12/2008 Sumii ..... D14/356  
2005/0191884 A1 \* 9/2005 Gustine et al. .... 439/131  
2008/0010405 A1 1/2008 Allen et al.

## OTHER PUBLICATIONS

“Windows Home Server: Up Close And Personal”, CrunchGear, Web Archives, [online] Jan. 12, 2007 [retrieved on Dec. 3, 2007]. Retrieved from the internet <URL: <http://web.archive.org/web/20070112145420/http://crunchgear.com/2007/01/08/windows-home-server-up-close-and-personal/>>.  
Kapsel.com [online], [retrieved on Nov. 27, 2006]. Retrieved from the Internet <URL: <http://www.kapsel.com/default.asp?mall=scroll&menu=press&pil=on&streck=on>>.

\* cited by examiner

FIG.1

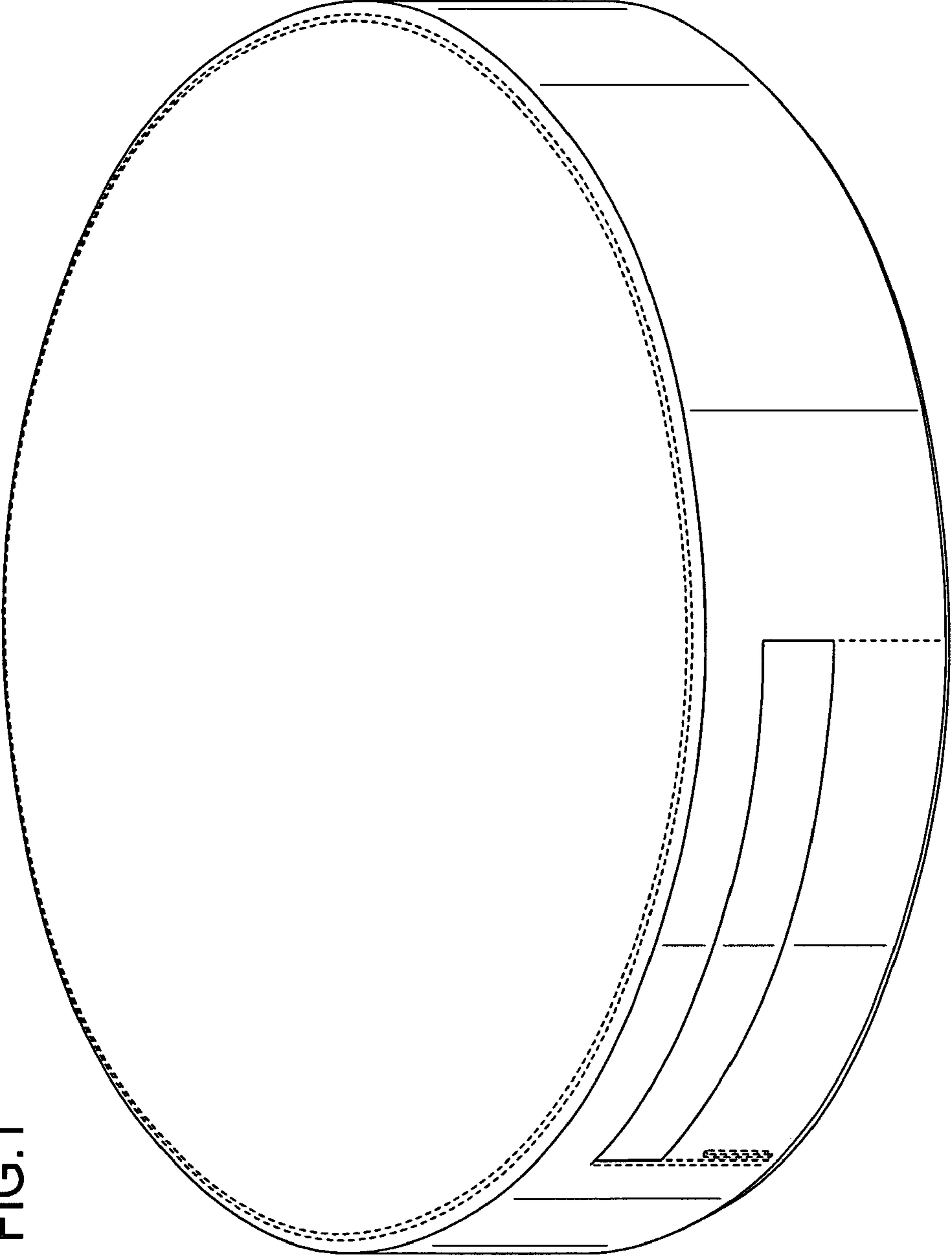


FIG.2

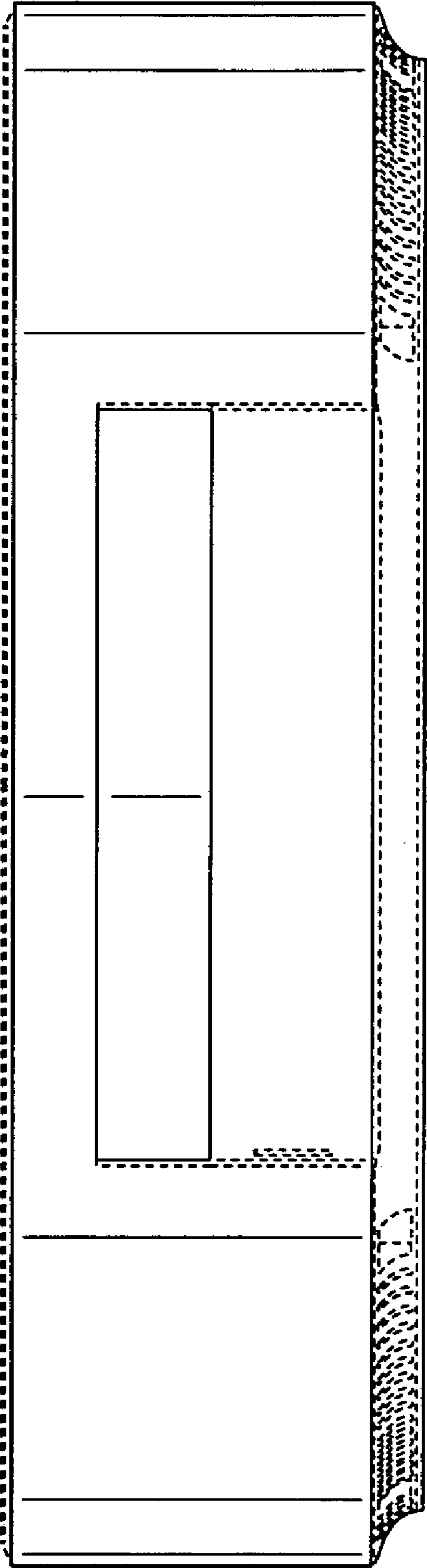


FIG.3

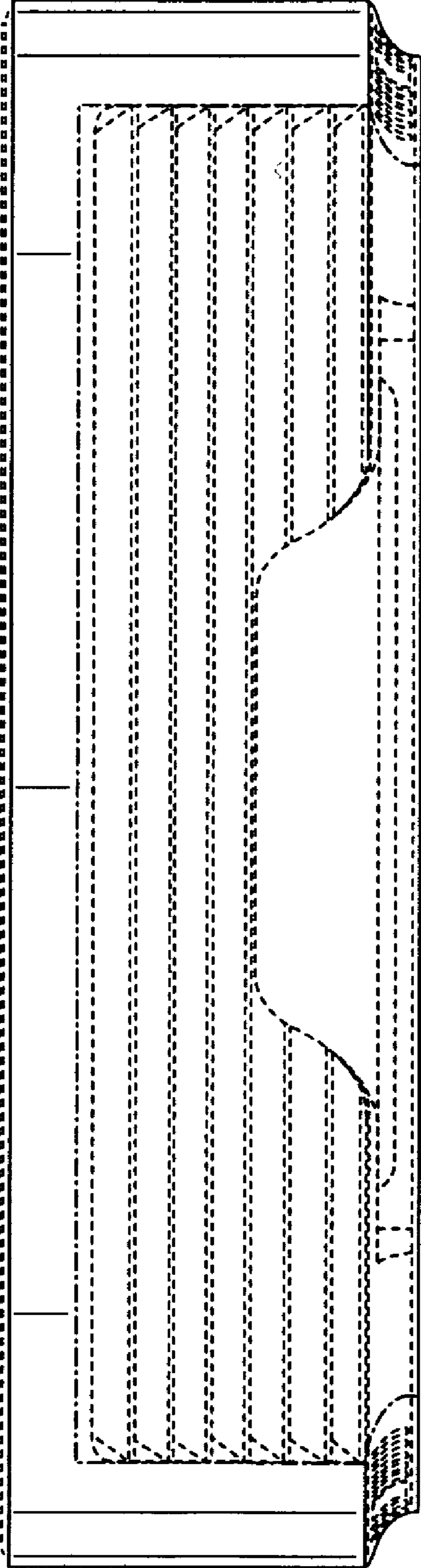


FIG.4

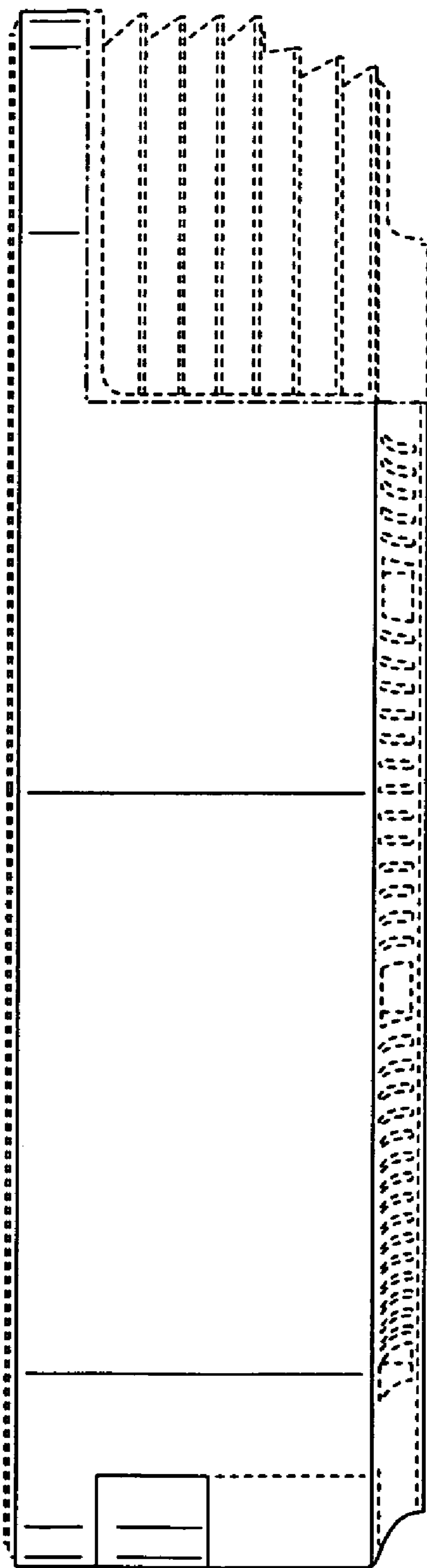
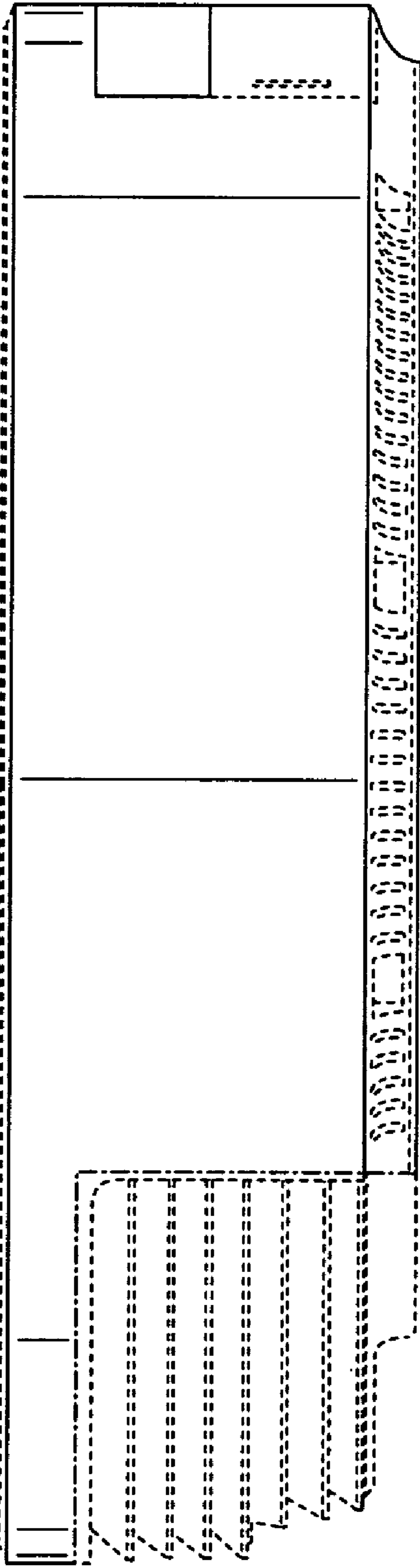




FIG.5



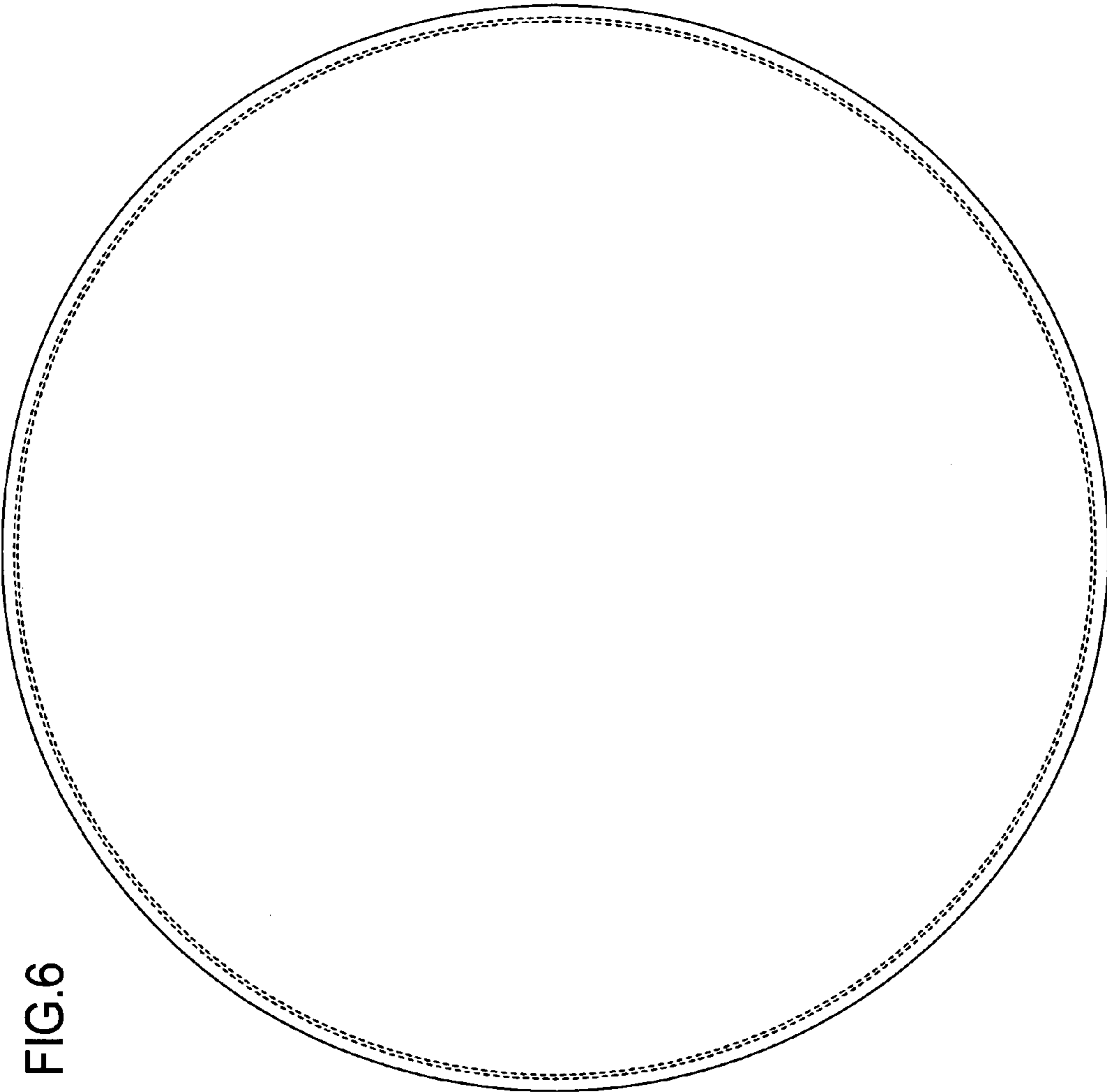


FIG.6



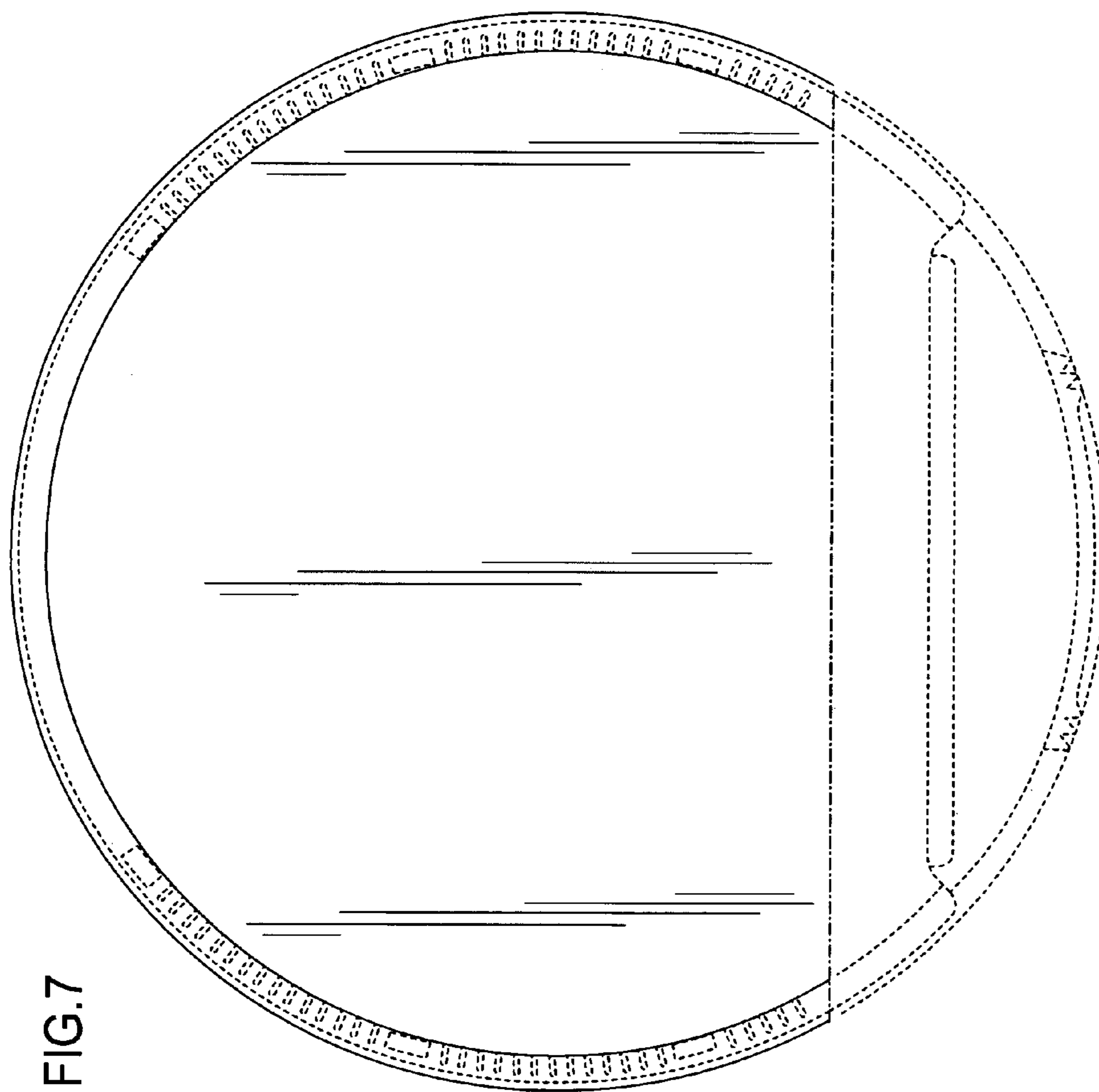


FIG. 7