



US00D598015S

(12) **United States Design Patent**
Busri

(10) **Patent No.:** **US D598,015 S**
(45) **Date of Patent:** **** Aug. 11, 2009**

(54) **MOBILE PERSONAL COMPUTER**

(75) Inventor: **Saharudin Bin Busri**, Selangor (MY)

(73) Assignee: **Mimos Berhad**, Selangor (MY)

(**) Term: **14 Years**

(21) Appl. No.: **29/318,356**

(22) Filed: **May 19, 2008**

(30) **Foreign Application Priority Data**

Nov. 20, 2007 (MY) 07017010103
Nov. 20, 2007 (MY) 07017020203
Nov. 20, 2007 (MY) 07017030303

(51) **LOC (9) Cl.** **14-02**

(52) **U.S. Cl.** **D14/341**

(58) **Field of Classification Search** D14/341-347,
D14/420, 426, 427, 432, 439-441, 448, 496,
D14/125, 129-130, 137, 138, 147, 156, 218,
D14/247-248, 250, 389; D10/65, 104; D18/6-7;
D21/329, 686; D6/596, 601, 605; 455/90.3,
455/6.1, 556.2, 575.1, 575.3, 575.4; 379/433.01,
379/433.04, 433.06, 433.07; 361/814; 341/22;
345/169; 346/173

See application file for complete search history.

(56) **References Cited**

U.S. PATENT DOCUMENTS

D360,194 S * 7/1995 Shudo D14/341
D363,271 S * 10/1995 Peterson D14/341
D365,330 S * 12/1995 Mowery et al. D14/346

D418,117 S * 12/1999 Wade et al. D14/342
D481,057 S * 10/2003 Brady D16/237
D505,676 S * 5/2005 Porter et al. D14/388
D517,512 S * 3/2006 Peng D14/129
D518,007 S * 3/2006 Peng D14/129
D540,760 S * 4/2007 Macey et al. D14/126
D540,761 S * 4/2007 Macey et al. D14/126
D551,196 S * 9/2007 Hsiung D14/129
D555,649 S * 11/2007 Tom et al. D14/346
D558,791 S * 1/2008 Toh et al. D14/496
D564,374 S * 3/2008 Wada D10/65
D564,375 S * 3/2008 Uno D10/65
D571,560 S * 6/2008 Liu et al. D6/300
D574,271 S * 8/2008 Stevens et al. D10/65
D574,795 S * 8/2008 Wlotzka D14/129

* cited by examiner

Primary Examiner—Cathron C Brooks

Assistant Examiner—Barbara Fox

(74) *Attorney, Agent, or Firm*—Butzel Long

(57) **CLAIM**

The ornamental design for a mobile personal computer, as shown and described.

DESCRIPTION

FIG. 1 is a perspective view of the present invention;

FIG. 2 is a front view thereof;

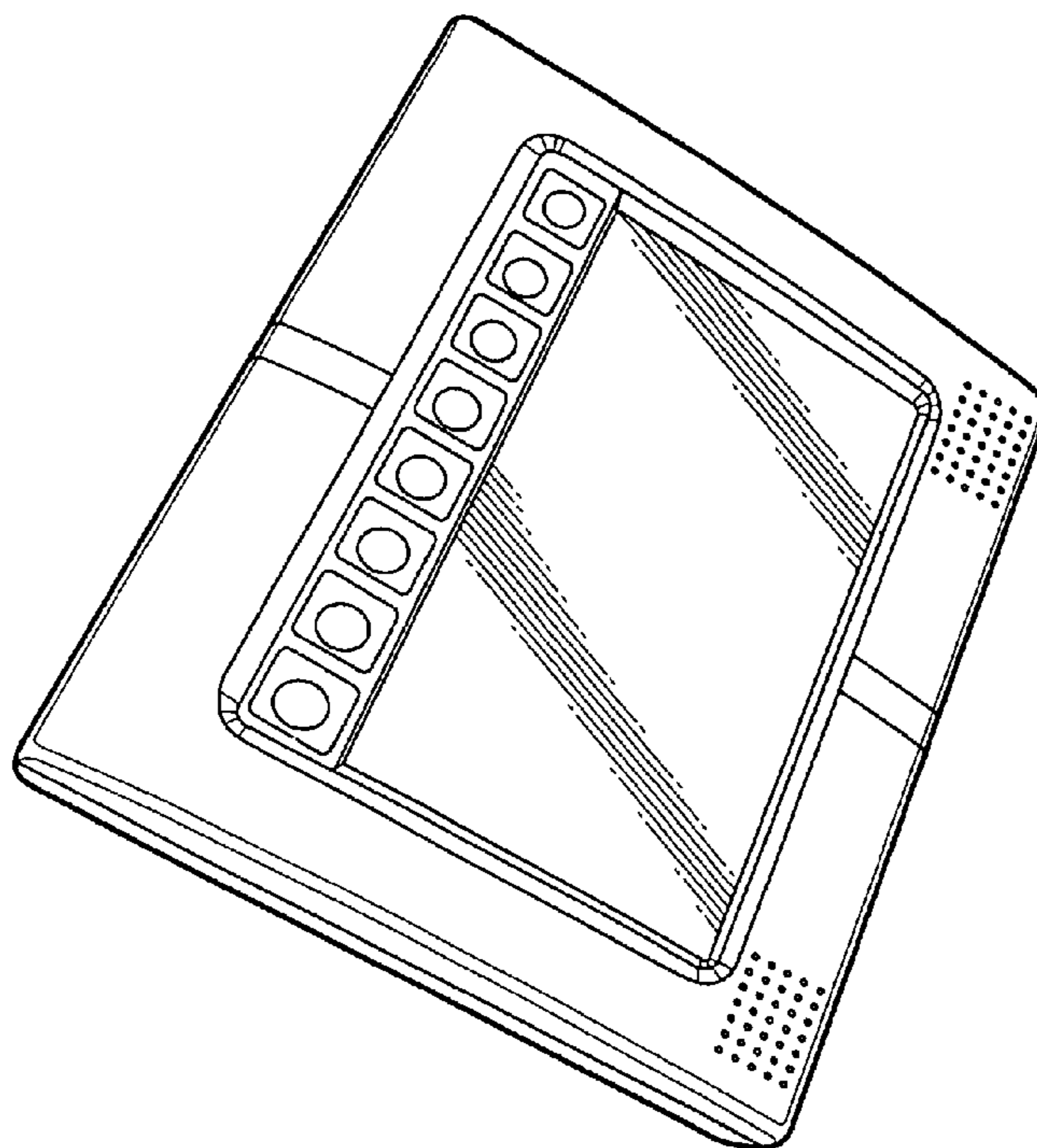
FIG. 3 is a back view thereof;

FIG. 4 is a side view thereof;

FIG. 5 is a top view thereof; and,

FIG. 6 is a bottom view thereof.

1 Claim, 2 Drawing Sheets



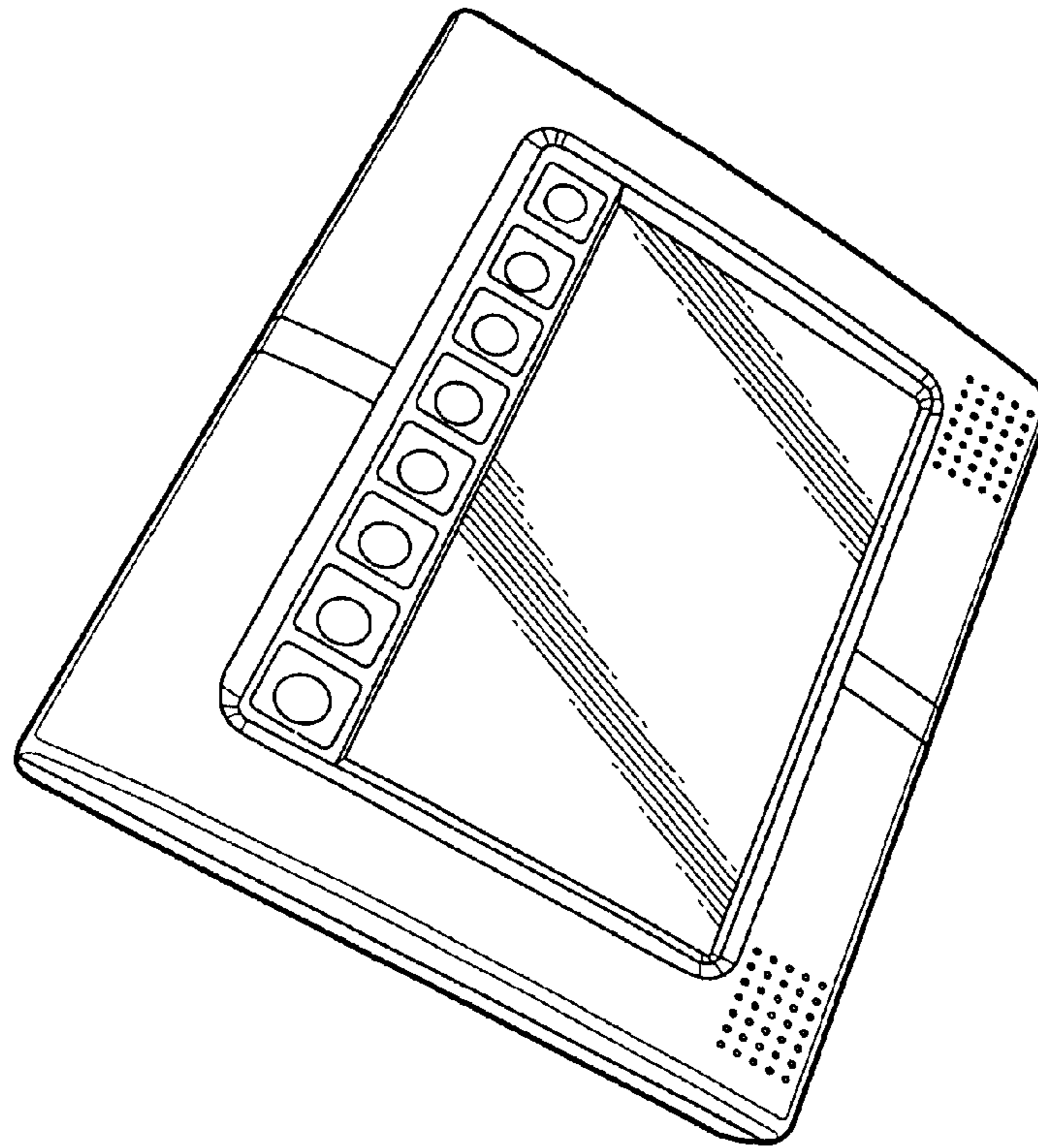


FIG - 1

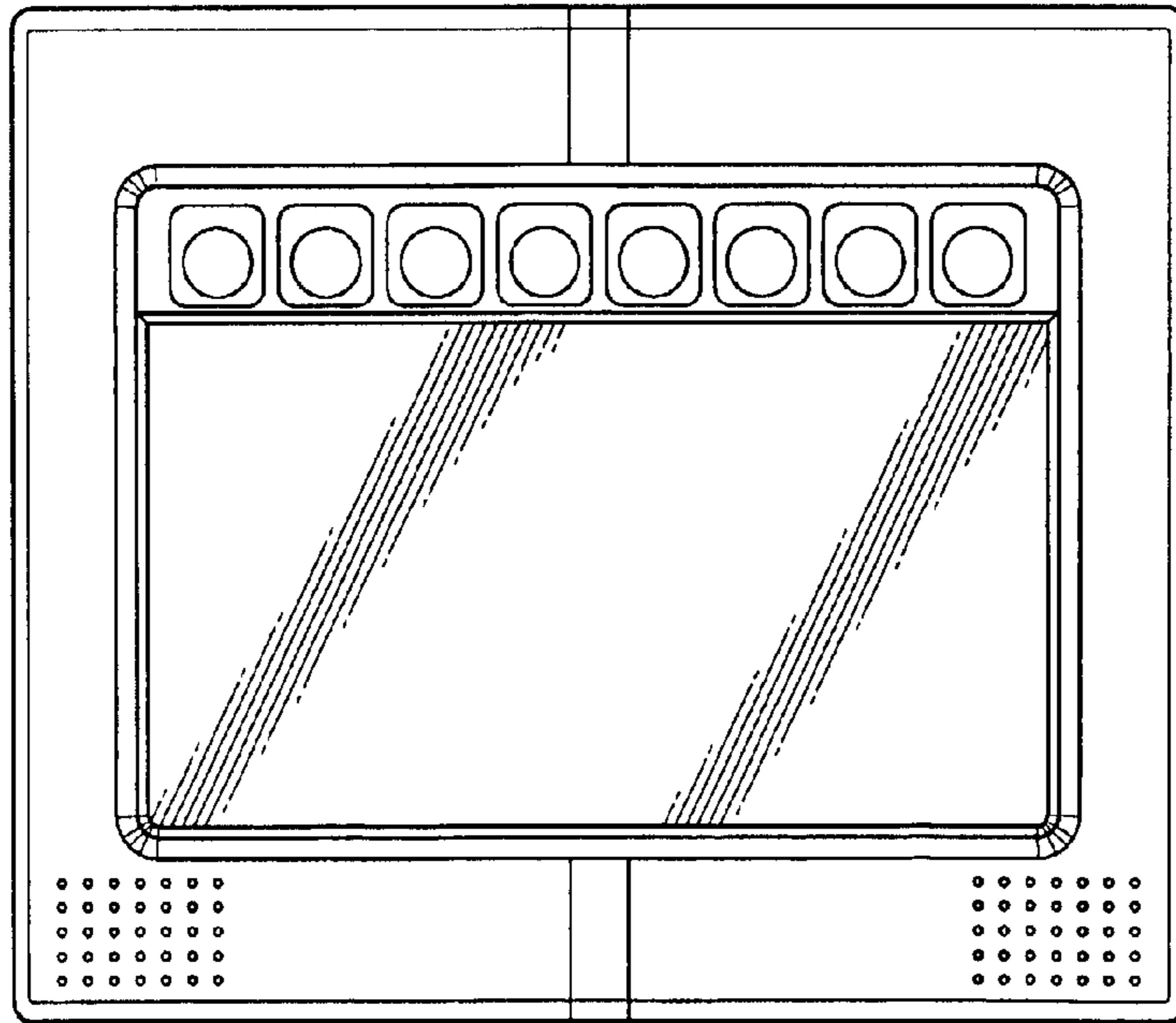


FIG - 2

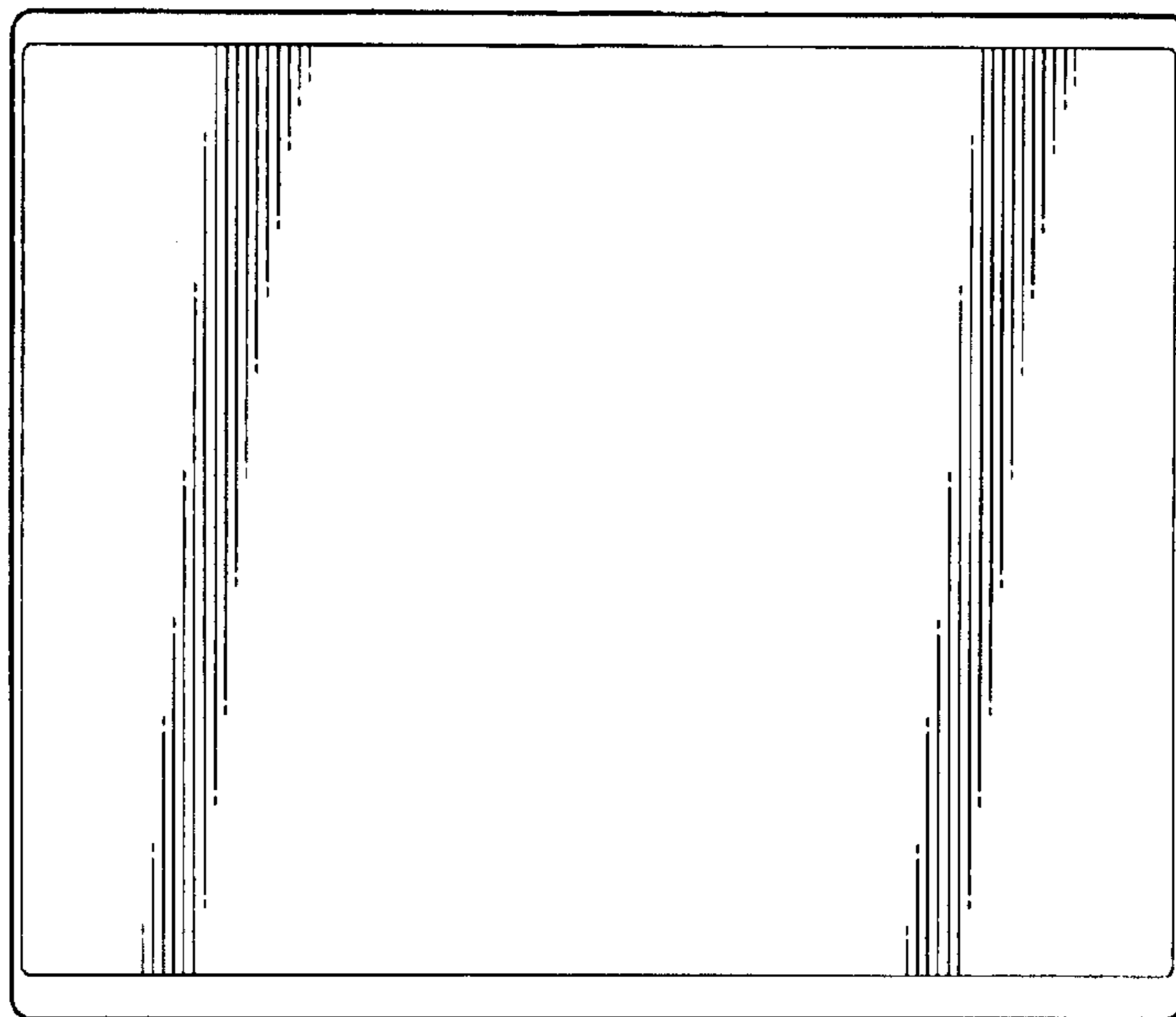


FIG - 3

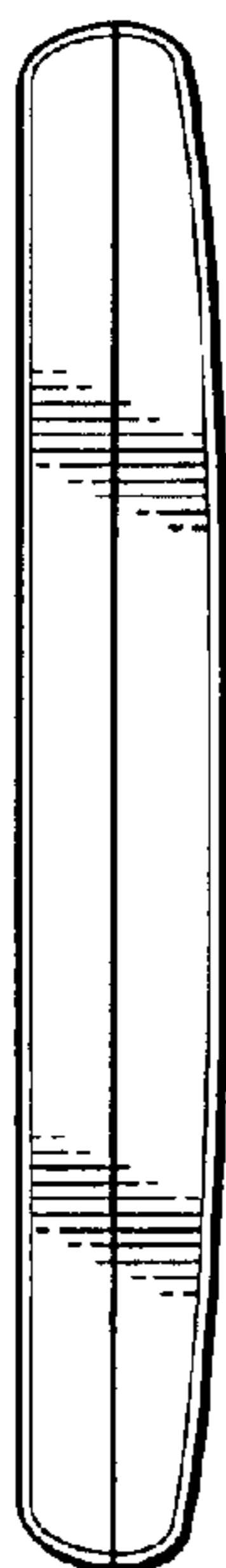


FIG - 4



FIG - 5

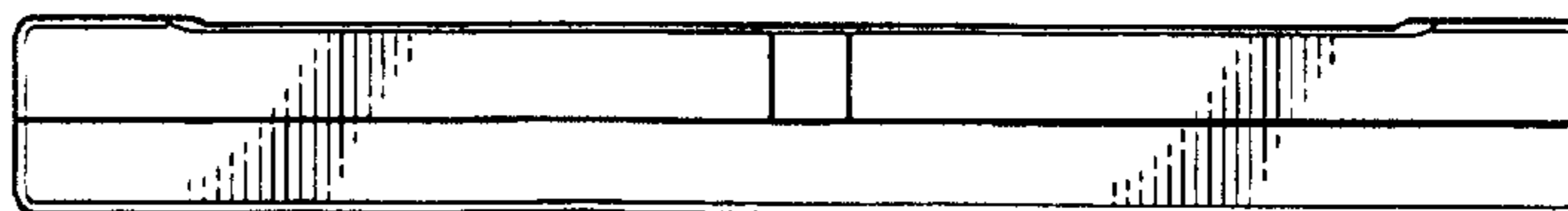


FIG - 6