

US00D598013S

(12) **United States Design Patent**
Ju et al.

(10) **Patent No.:** **US D598,013 S**

(45) **Date of Patent:** **** Aug. 11, 2009**

(54) **MAIN APPARATUS OF KEY-PHONE**

(75) Inventors: **Tai-Hyung Ju**, Seoul (KR); **Sang-Sung Woo**, Seoul (KR)

(73) Assignee: **Samsung Electronics Co., Ltd.**,
Kyunggi-do (KR)

(**) Term: **14 Years**

(21) Appl. No.: **29/308,568**

(22) Filed: **Jun. 24, 2008**

(51) **LOC (9) Cl.** **14-02**

(52) **U.S. Cl.** **D14/240; D14/251**

(58) **Field of Classification Search** D14/356,
D14/358, 233, 240, 242, 300, 348, 388, 433,
D14/155; D13/184, 137.2, 107, 108, 144;
360/69; 379/220.1, 220.14, 25, 93.09, 93.15,
379/156, 900, 338, 329; 381/124; 607/36;
307/10.1; 439/668

See application file for complete search history.

(56) **References Cited**

U.S. PATENT DOCUMENTS

D262,106 S *	12/1981	Frassanito	D14/242
D322,963 S *	1/1992	Kittirutsunetorn	D14/242
D326,089 S *	5/1992	Gowda et al.	D14/355
D400,512 S *	11/1998	Korhonen	D13/184
D407,393 S *	3/1999	Kazama	D14/125
D464,339 S *	10/2002	Tomino et al.	D14/240
D497,350 S *	10/2004	Ichitsubo et al.	D13/184
D522,508 S *	6/2006	Chen	D14/356
D525,968 S *	8/2006	Peng et al.	D14/300
D529,903 S *	10/2006	McRae et al.	D14/240
D532,781 S *	11/2006	Ohno	D14/300

D535,281 S *	1/2007	Yang	D14/203.3
D541,263 S *	4/2007	Yao	D14/240
D541,792 S *	5/2007	Liu et al.	D14/240
D550,195 S	9/2007	Ju		
D550,644 S	9/2007	Cho et al.		
D552,071 S	10/2007	Park et al.		
D552,588 S	10/2007	Park et al.		
D564,493 S *	3/2008	Tejima	D14/168
D565,568 S *	4/2008	Trifilio et al.	D14/356
D568,312 S *	5/2008	Wang et al.	D14/356
D583,796 S *	12/2008	Tanaka	D14/155
D585,055 S *	1/2009	Sabag et al.	D14/300

* cited by examiner

Primary Examiner—Charles A Rademaker

Assistant Examiner—Charles D Hanson

(74) *Attorney, Agent, or Firm*—Flynn, Thiel, Boutell & Tanis,
P.C.

(57) **CLAIM**

The ornamental design for a main apparatus of key-phone, as shown and described.

DESCRIPTION

FIG. 1 is a top front perspective view of a main apparatus of key-phone showing our new design;

FIG. 2 is a front elevational view thereof;

FIG. 3 is a rear elevational view thereof;

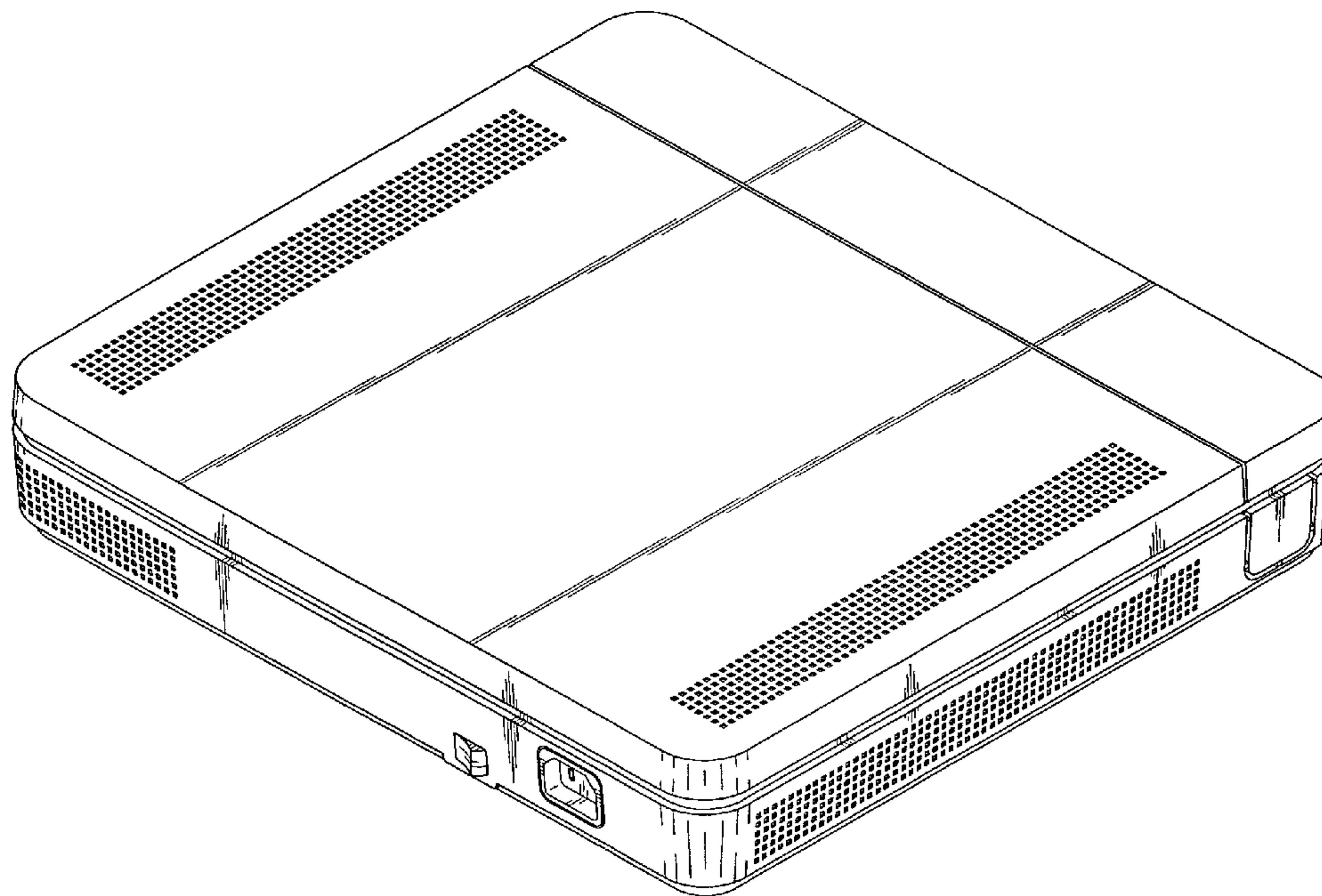
FIG. 4 is a left side elevational view thereof;

FIG. 5 is a right side elevational view thereof;

FIG. 6 is a top plan view thereof; and,

FIG. 7 is a bottom plan view thereof.

1 Claim, 5 Drawing Sheets



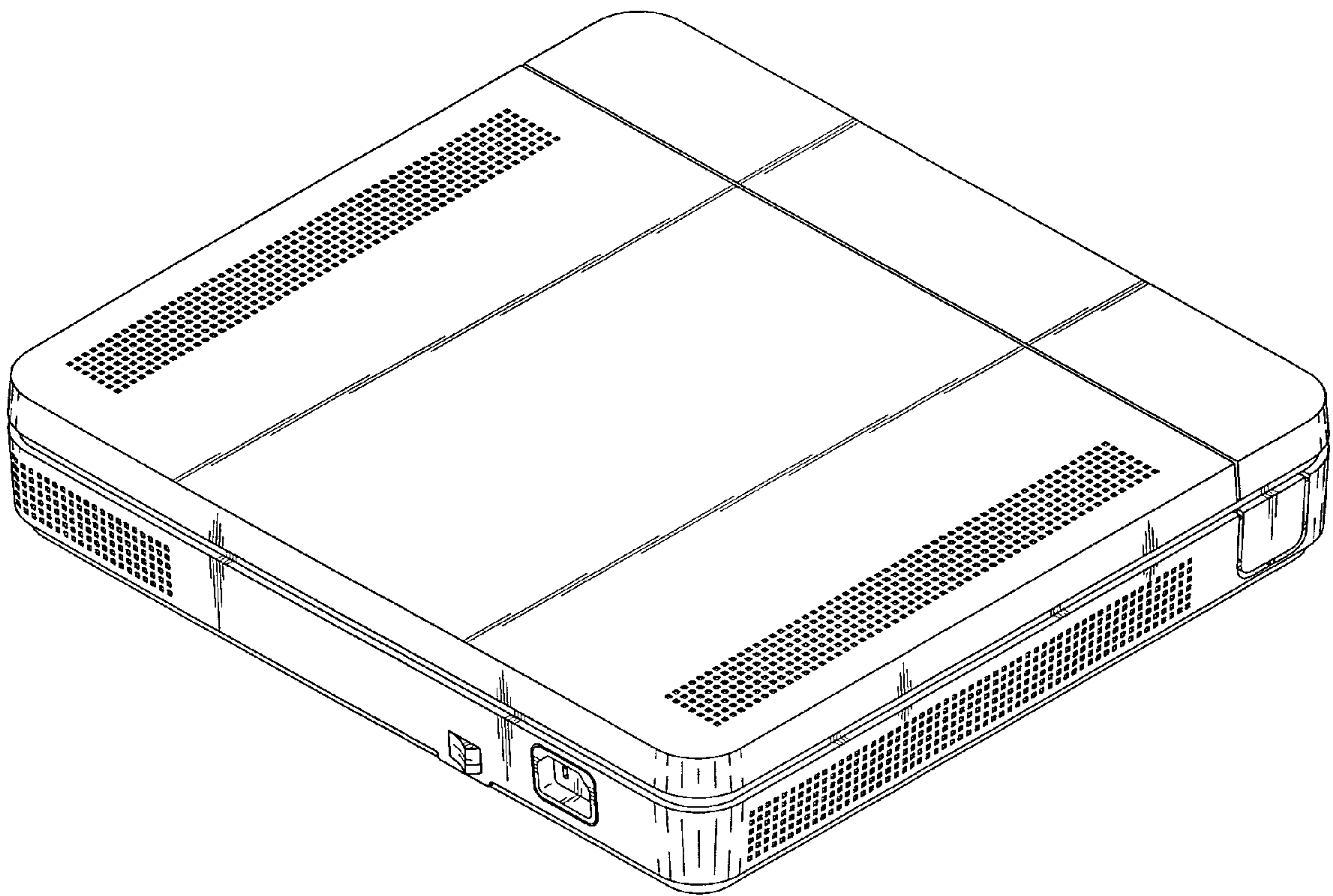


FIG. 1

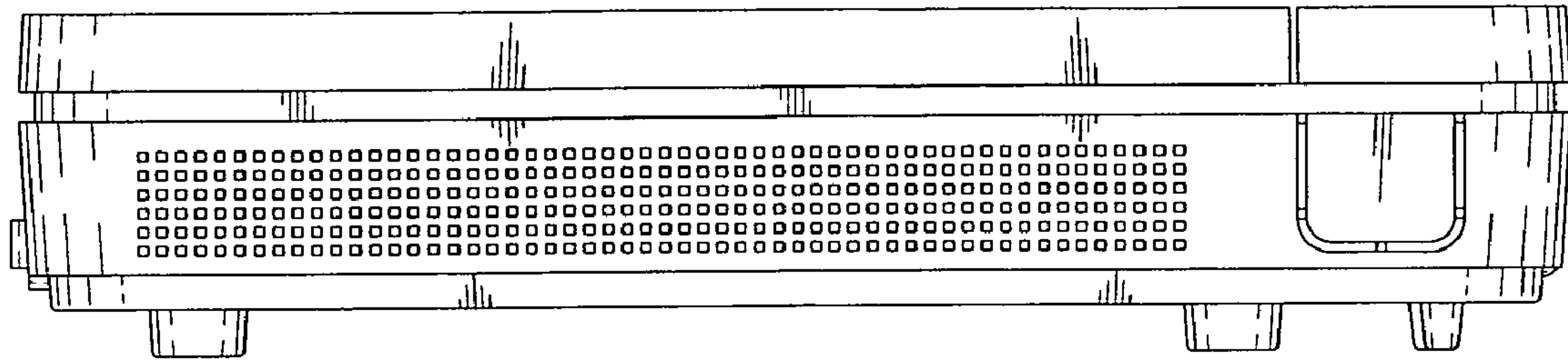


FIG. 2

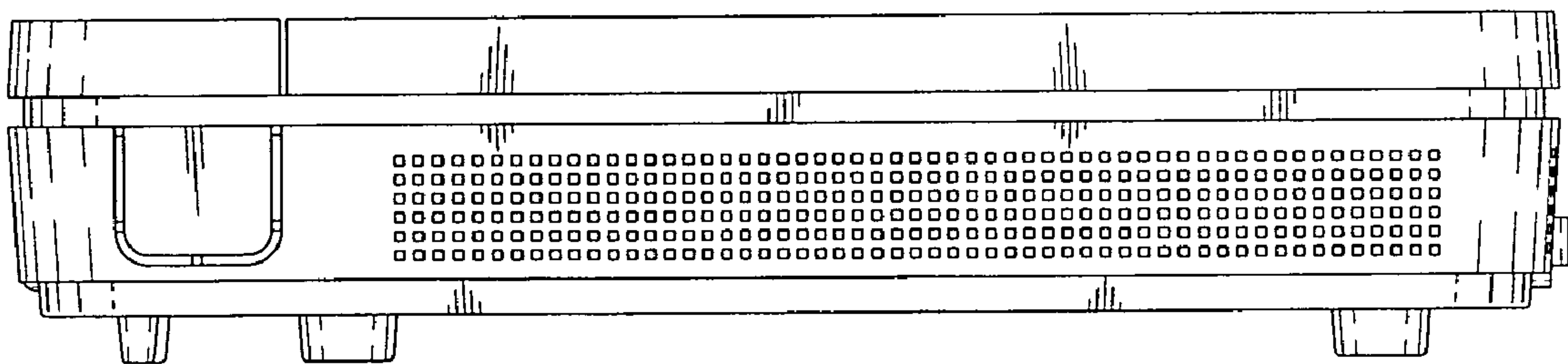


FIG. 3

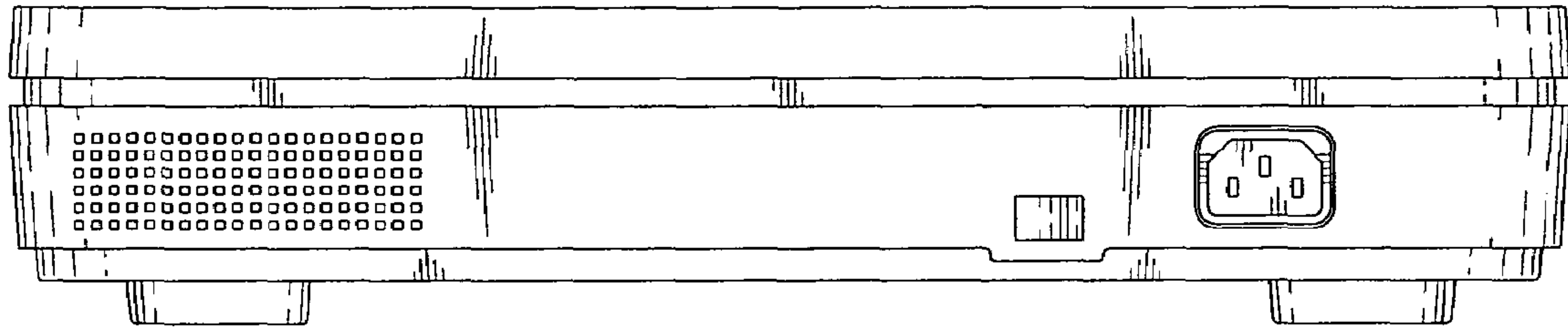


FIG. 4

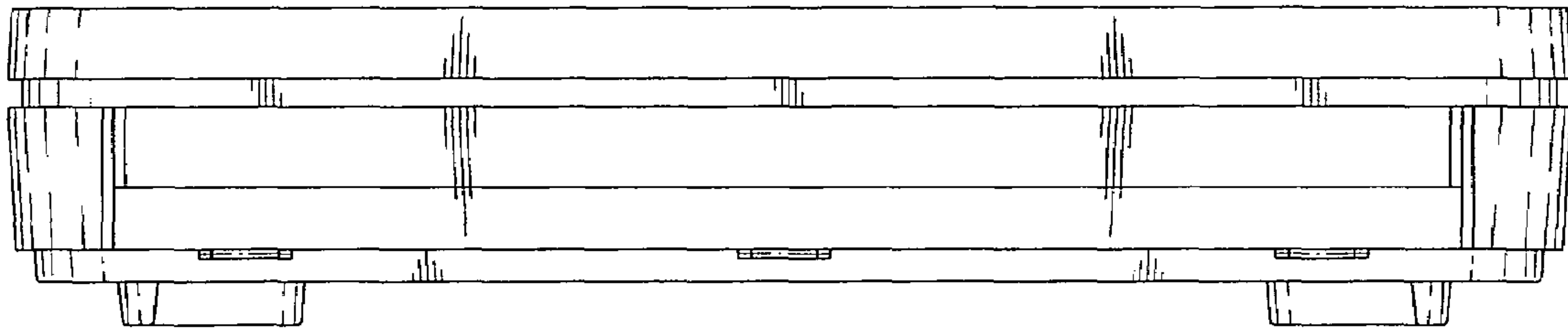


FIG. 5

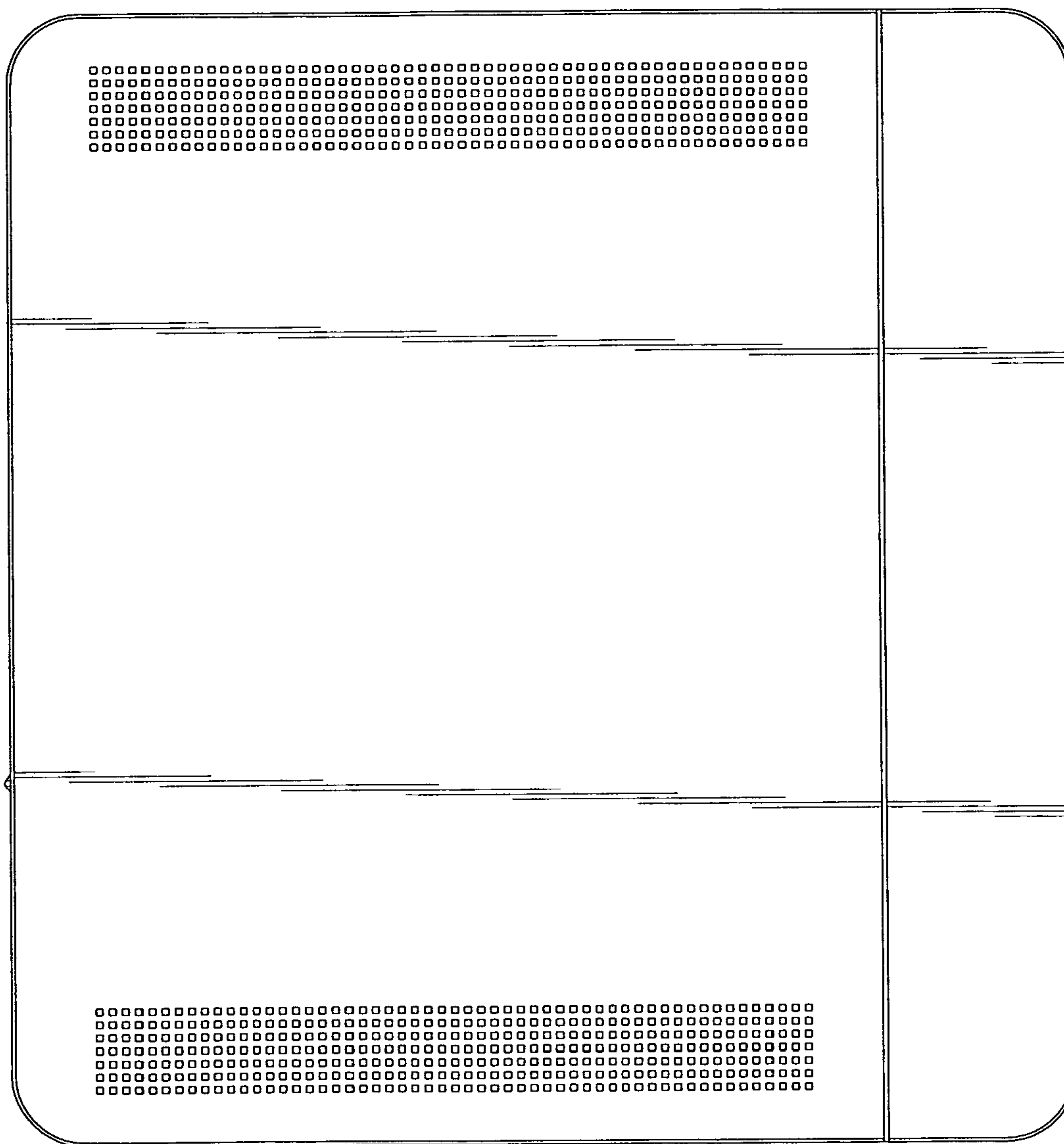


FIG. 6

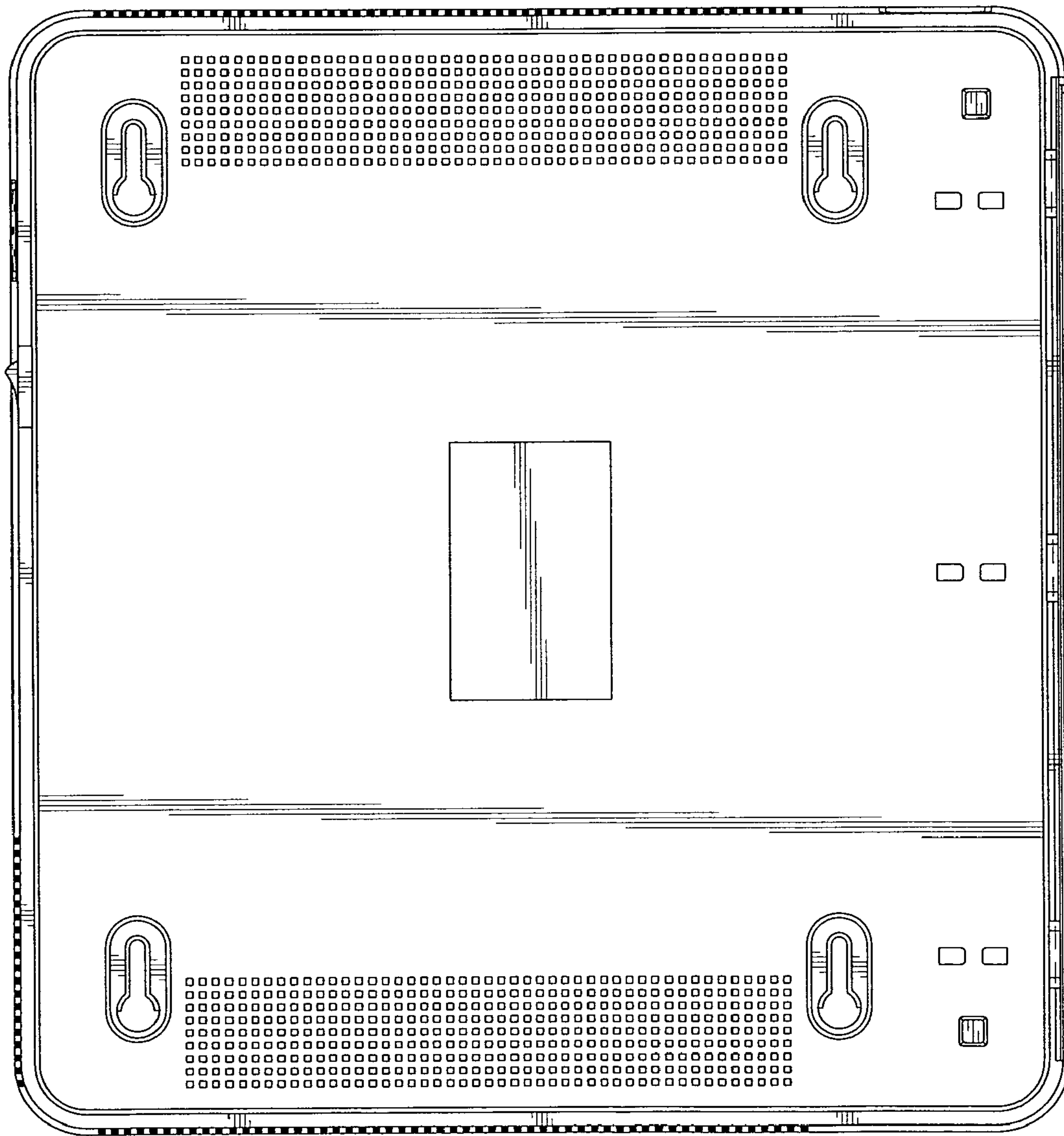


FIG. 7