



US00D598010S

(12) **United States Design Patent**
Matsuda et al.

(10) **Patent No.:** **US D598,010 S**

(45) **Date of Patent:** **** Aug. 11, 2009**

(54) **PAIR OF EARPHONES**

(75) Inventors: **Takeshi Matsuda**, Tokyo (JP); **Kenji Hatano**, Tokyo (JP); **Masaji Komuro**, Tokyo (JP); **Kenji Murata**, Tokyo (JP)

(73) Assignee: **SMK Corporation**, Tokyo (JP)

(**) Term: **14 Years**

(21) Appl. No.: **29/292,765**

(22) Filed: **Oct. 25, 2007**

(30) **Foreign Application Priority Data**

May 29, 2007 (JP) 2007-014227

(51) **LOC (9) Cl.** **14-01**

(52) **U.S. Cl.** **D14/223; D14/205**

(58) **Field of Classification Search** D14/205, D14/206, 223; 181/129-130; 381/380, 381, 381/378, 379, 374, 376, 377, 370; 379/430, 379/433.01, 433.03, 433.04, 433.11; 455/575.1, 455/575.2, 351

See application file for complete search history.

(56) **References Cited**

U.S. PATENT DOCUMENTS

D278,234 S * 4/1985 Saito D14/205

(Continued)

Primary Examiner—Paula Greene

(74) *Attorney, Agent, or Firm*—Darby & Darby P.C.

(57) **CLAIM**

The ornamental design for pair of earphones, as shown and described.

DESCRIPTION

The file of this patent contains at least one drawing/photograph executed in color. Copies of this patent with color drawing(s)/photograph(s) will be provided by the Office upon request and payment of the necessary fee. This patent otherwise provided with black and white line drawings that include regions with cross-hatched surface shading which, when viewed in the drawings' proper orientation as indicated by the

figure labeling, indicate the colors for those regions as illustrated in the color drawings. The correspondence of colors and cross-hatching is provided with reference to FIG. 1 below.

FIG. 1 is a top plan view thereof, in which vertically cross-hatched surface shading applied to a region of an uppermost component of the earphone indicates the color red and horizontally cross-hatched surface shading applied to a region of a lowermost component of the earphone indicates the color blue;

FIG. 2 is a bottom plan view thereof;

FIG. 3 is a left side view thereof;

FIG. 4 is a right side view thereof;

FIG. 5 is a back side view thereof;

FIG. 6 is a front side view thereof;

FIG. 7 is a top front perspective view thereof in which, as in FIG. 1, vertically cross-hatched surface shading applied to a region of an uppermost component of the earphone indicates the color red and horizontally cross-hatched surface shading applied to a region of a lowermost component of the earphone indicates the color blue;

FIG. 8 is a top back perspective view thereof;

FIG. 9 is a bottom back perspective view thereof;

FIG. 10 is a bottom front perspective view thereof;

FIG. 11 is a magnified top view thereof;

FIG. 12 is a magnified bottom view thereof;

FIG. 13 is a magnified left side view thereof;

FIG. 14 is a magnified right side view thereof;

FIG. 15 is a magnified back view thereof;

FIG. 16 is a magnified front view thereof;

FIG. 17 is a front top magnified view thereof;

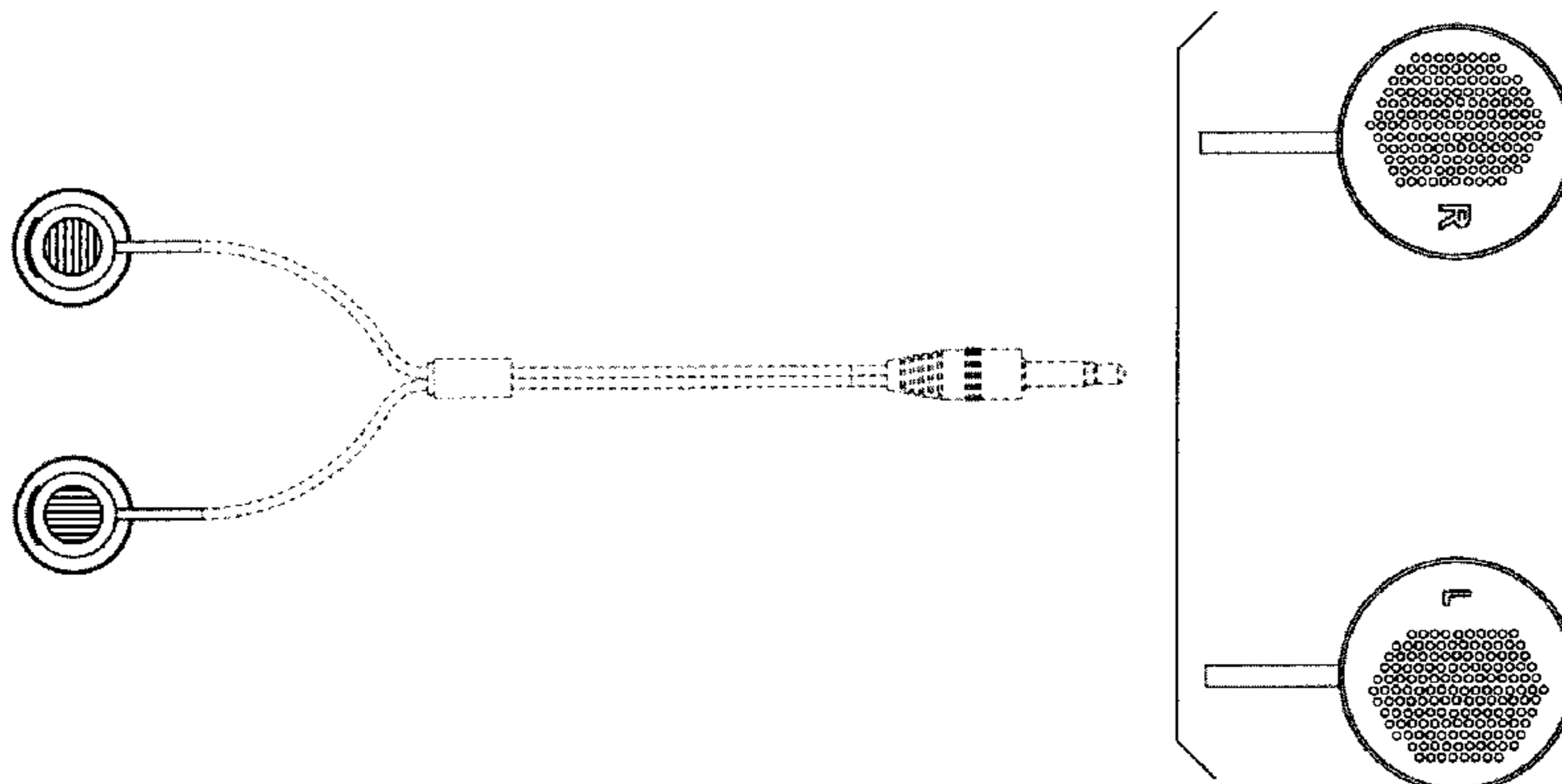
FIG. 18 is a back top magnified view thereof;

FIG. 19 is a back bottom magnified view thereof; and,

FIG. 20 is a front bottom magnified view thereof.

In each of FIGS. 1 through 10, the broken lines illustrating other portions of the pair of earphones are for illustrative purposes only, and form no part of the claimed design.

1 Claim, 7 Drawing Sheets



US D598,010 S

Page 2

U.S. PATENT DOCUMENTS

4,646,872	A *	3/1987	Kamon et al.	181/129	D512,049	S *	11/2005	Yang	D14/223
D311,007	S *	10/1990	Daido	D14/205	D514,552	S *	2/2006	Lee et al.	D14/223
D318,473	S *	7/1991	Miyashita et al.	D14/223	D523,846	S *	6/2006	Lee	D14/205
D318,670	S *	7/1991	Taniguchi	D14/205	D531,169	S *	10/2006	Tokioka et al.	D14/223
D318,864	S *	8/1991	Daido et al.	D14/205	D533,868	S *	12/2006	Koizumi	D14/223
D318,865	S *	8/1991	Ichikawa	D14/205	D554,109	S *	10/2007	Ledbetter et al.	D14/223
D337,589	S *	7/1993	Wada	D14/223	D555,152	S *	11/2007	Wang	D14/223
5,410,608	A *	4/1995	Lucey et al.	381/360	7,319,762	B2 *	1/2008	Andrea et al.	381/74
5,809,159	A *	9/1998	Lee	381/380	D566,687	S *	4/2008	Duarte et al.	D14/205
6,122,369	A *	9/2000	Hwang et al.	379/420.04	D568,291	S *	5/2008	Andre et al.	D14/205
6,810,987	B1 *	11/2004	DeKalb	181/129	D573,977	S *	7/2008	Ledbetter et al.	D14/205
D511,157	S *	11/2005	Johnson	D14/223	D575,269	S *	8/2008	Ledbetter et al.	D14/205
					D576,154	S *	9/2008	Ledbetter et al.	D14/223

* cited by examiner

Fig. 1

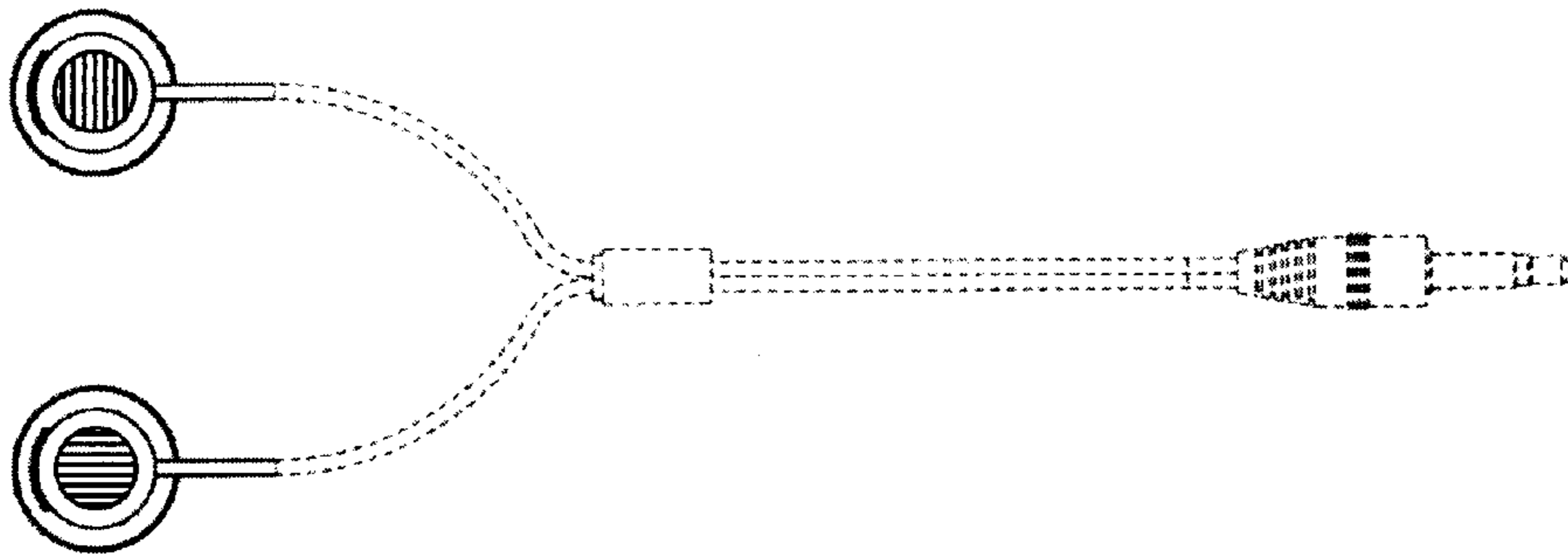


Fig. 2

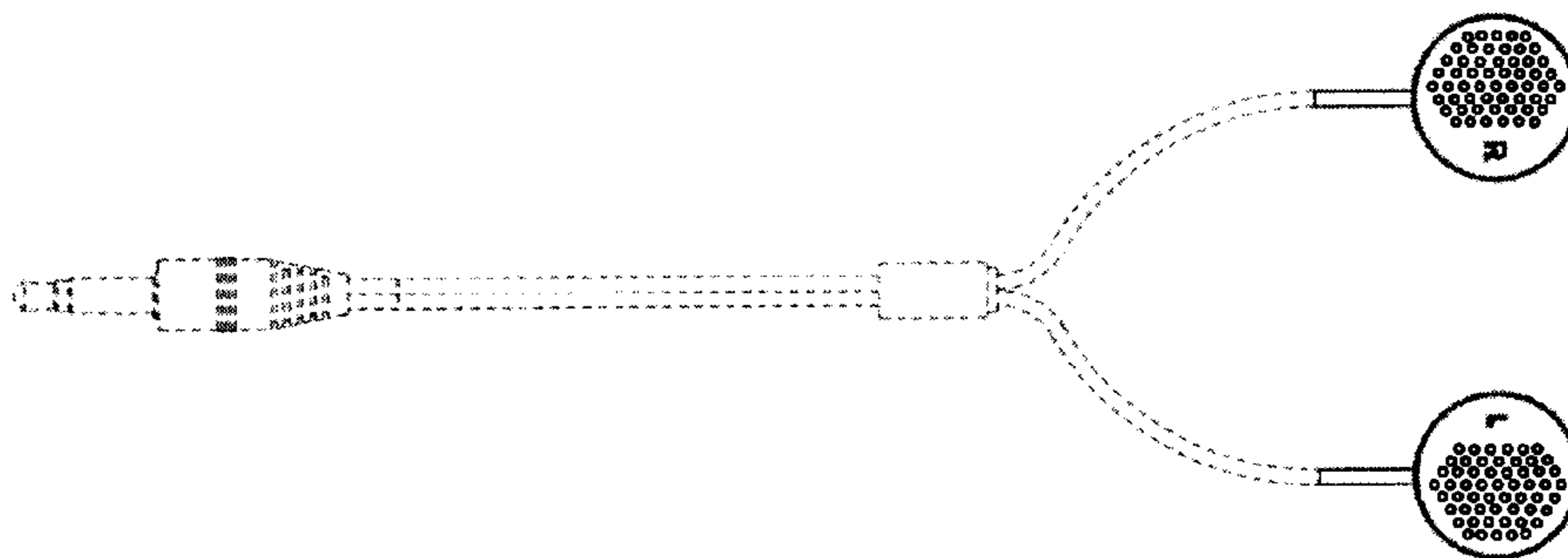


Fig. 3

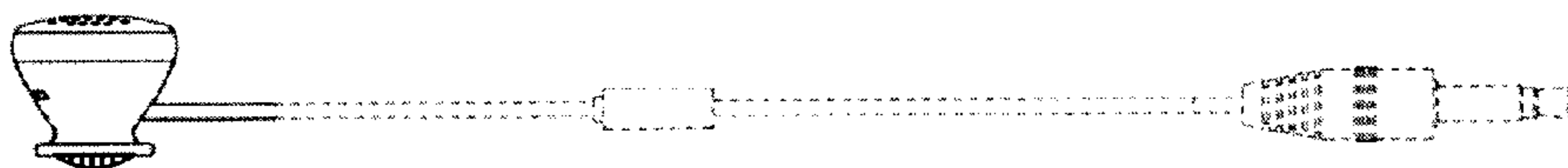


Fig. 4

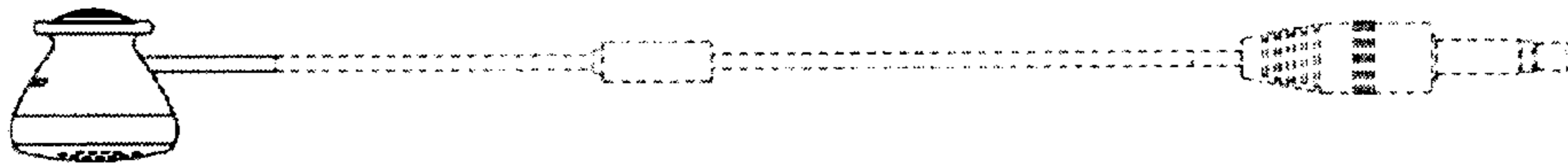


Fig. 5



Fig. 6



Fig. 7

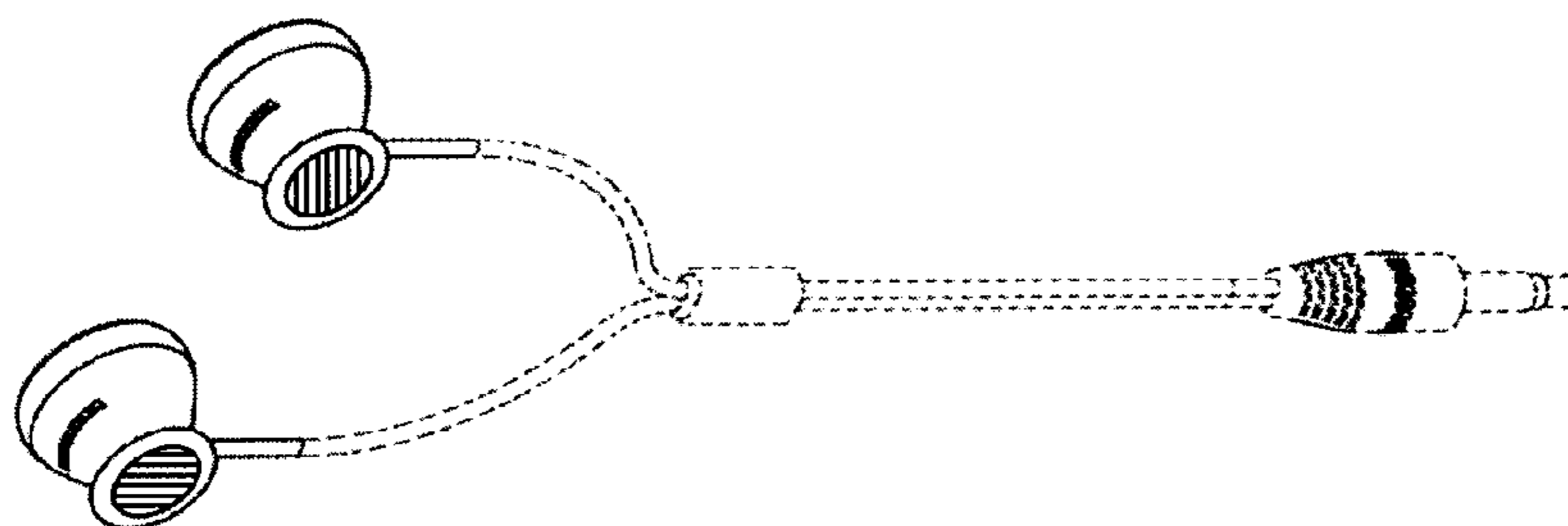


Fig. 8

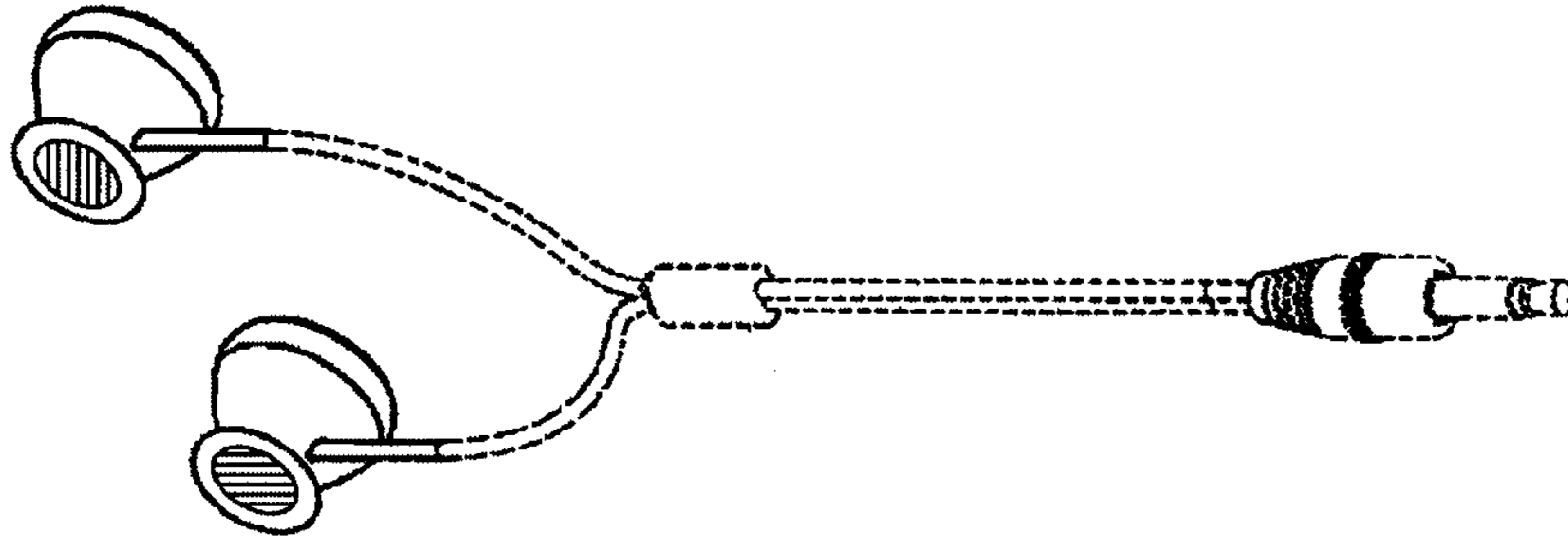


Fig. 9

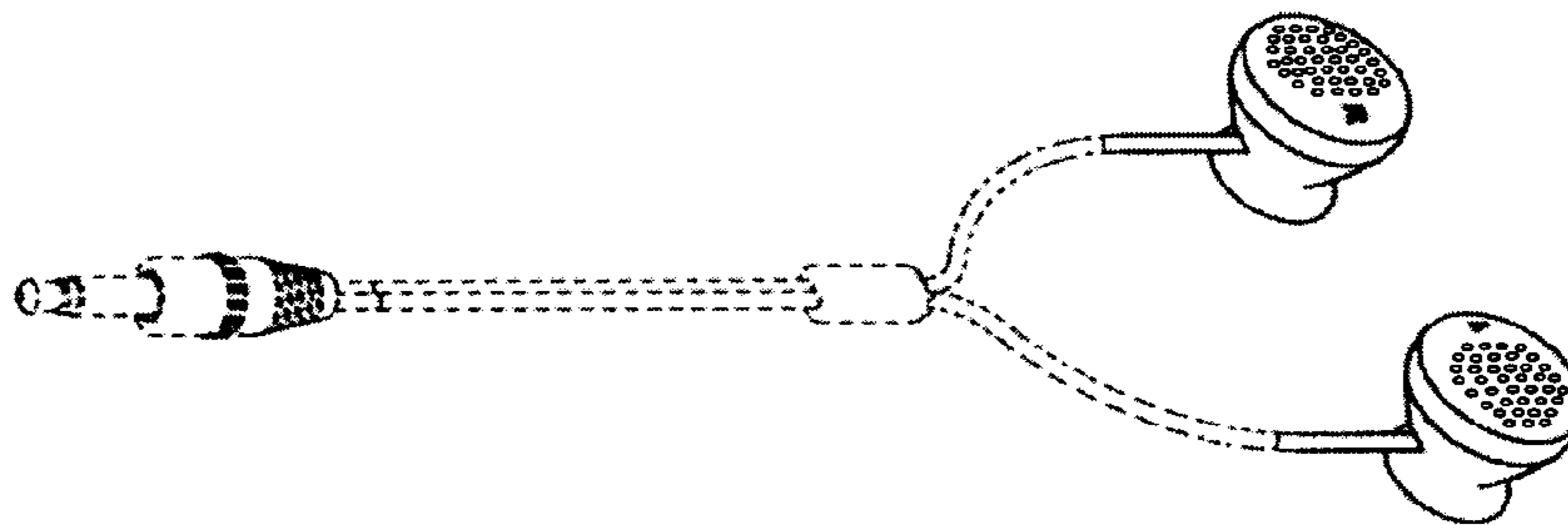


Fig. 10

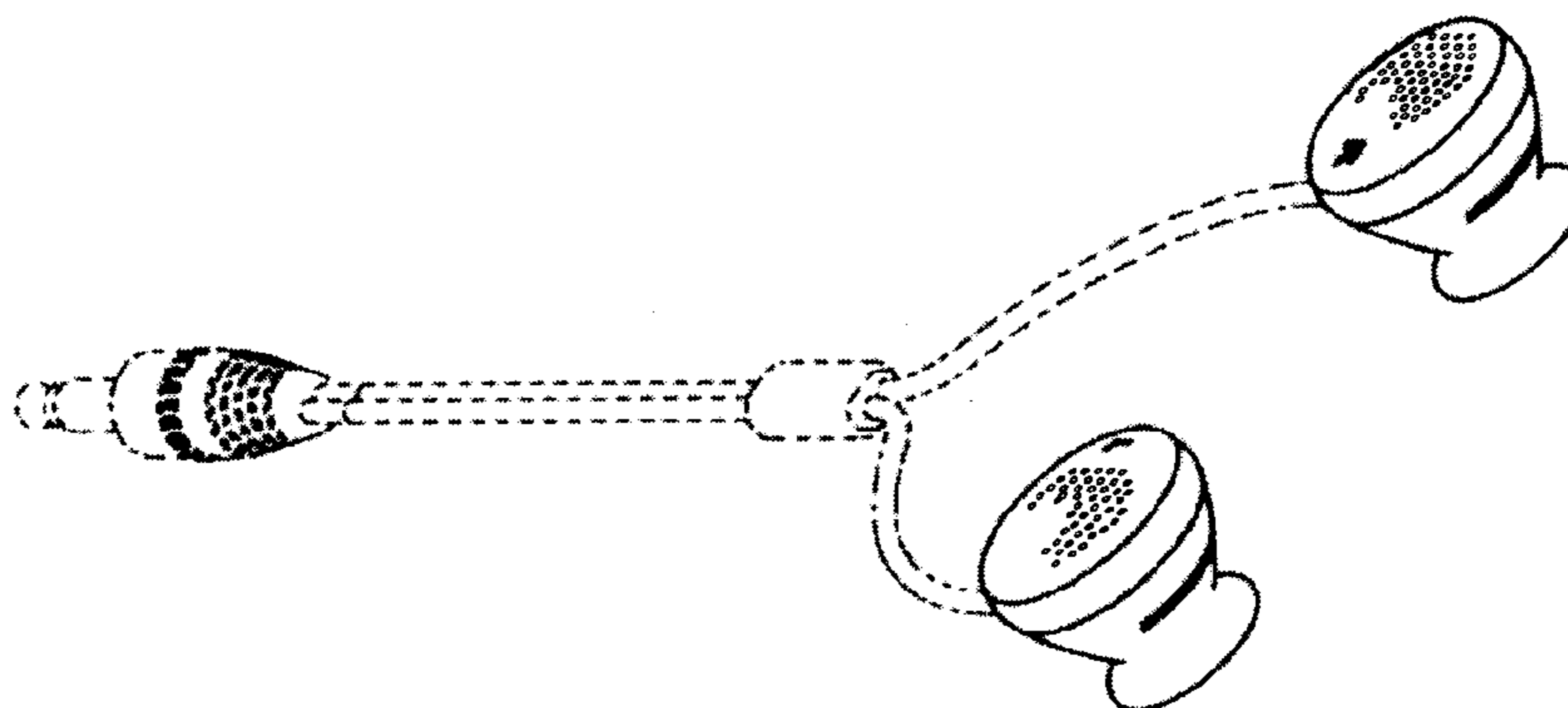


Fig. 11

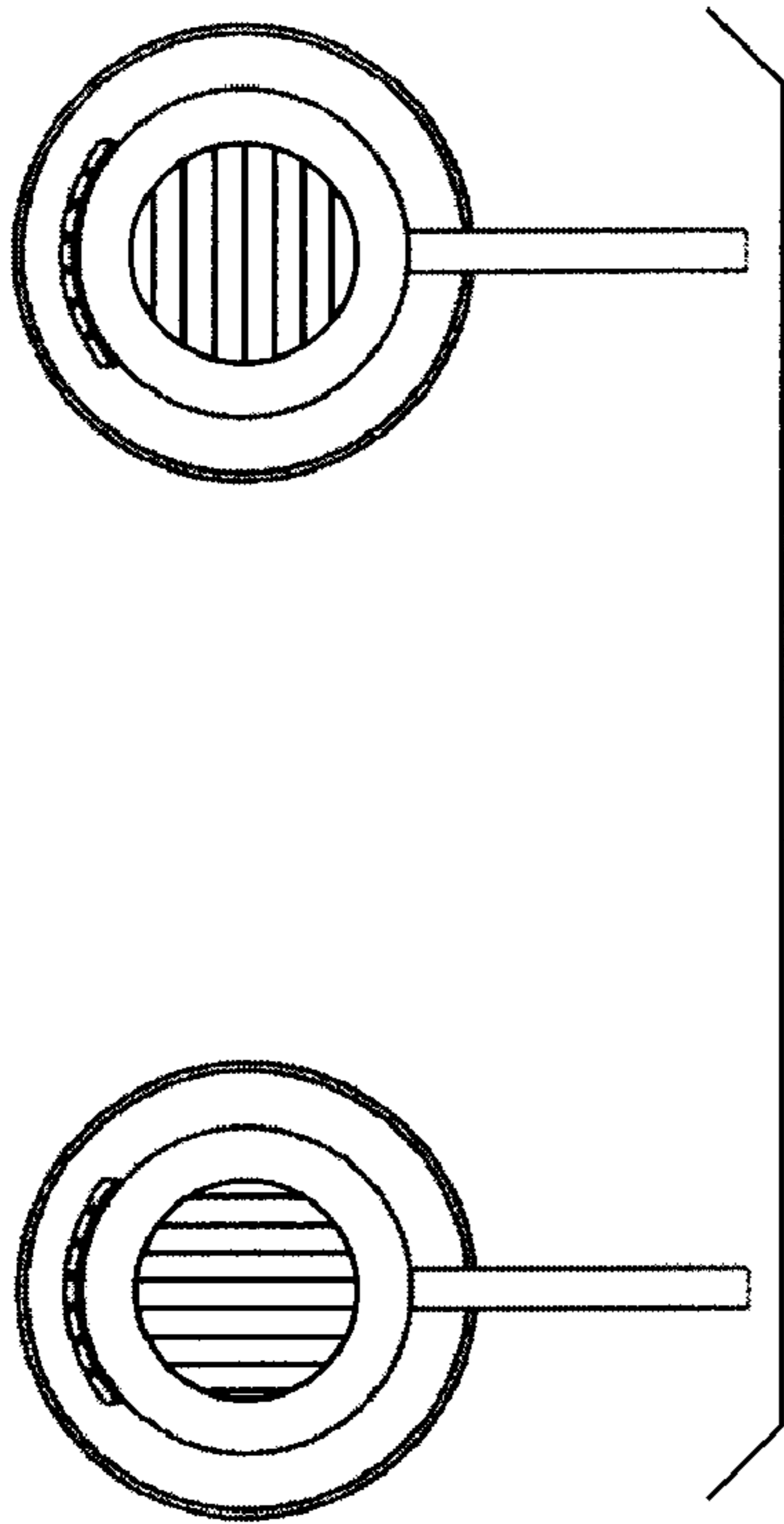


Fig. 12

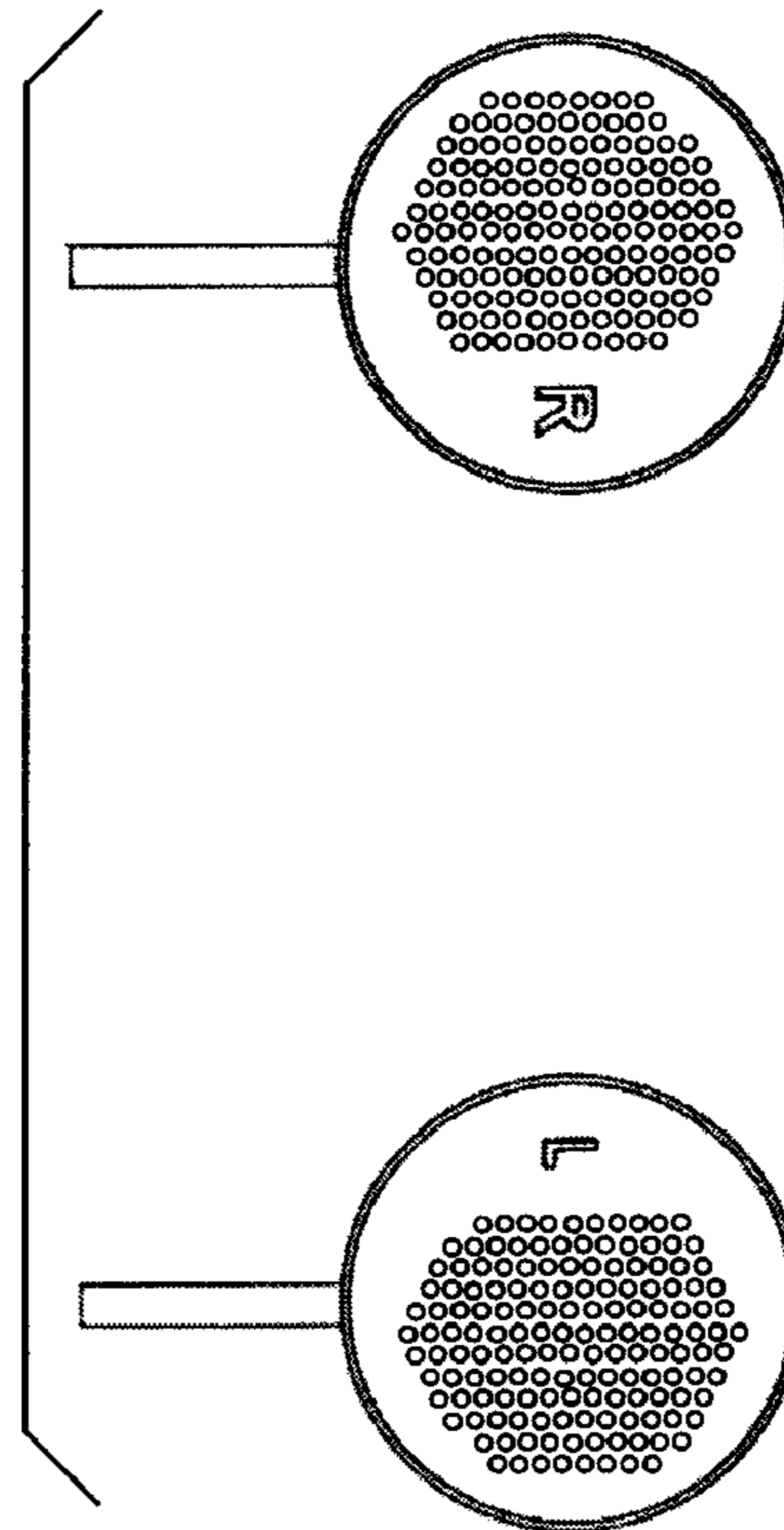


Fig. 13

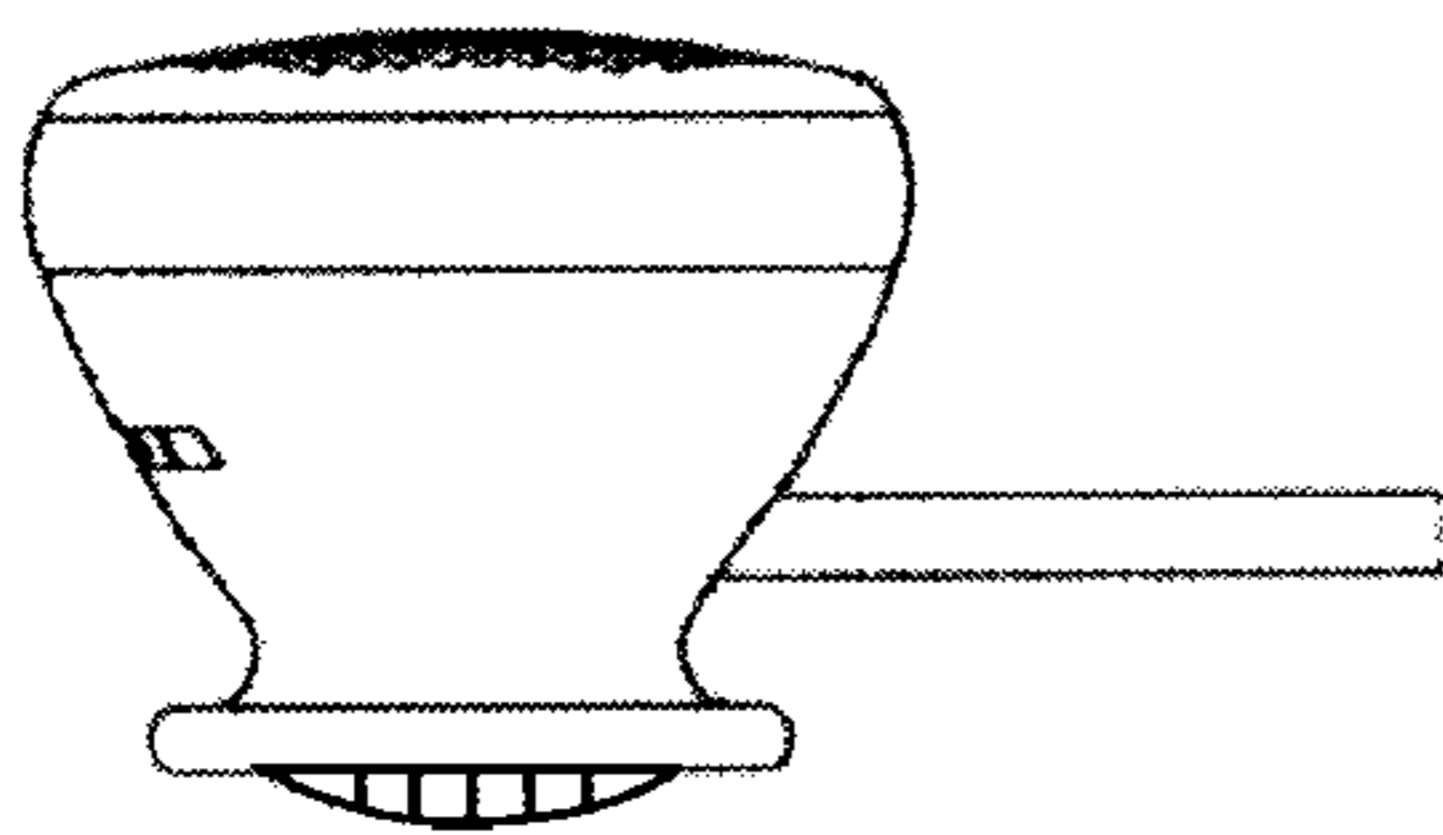


Fig. 14

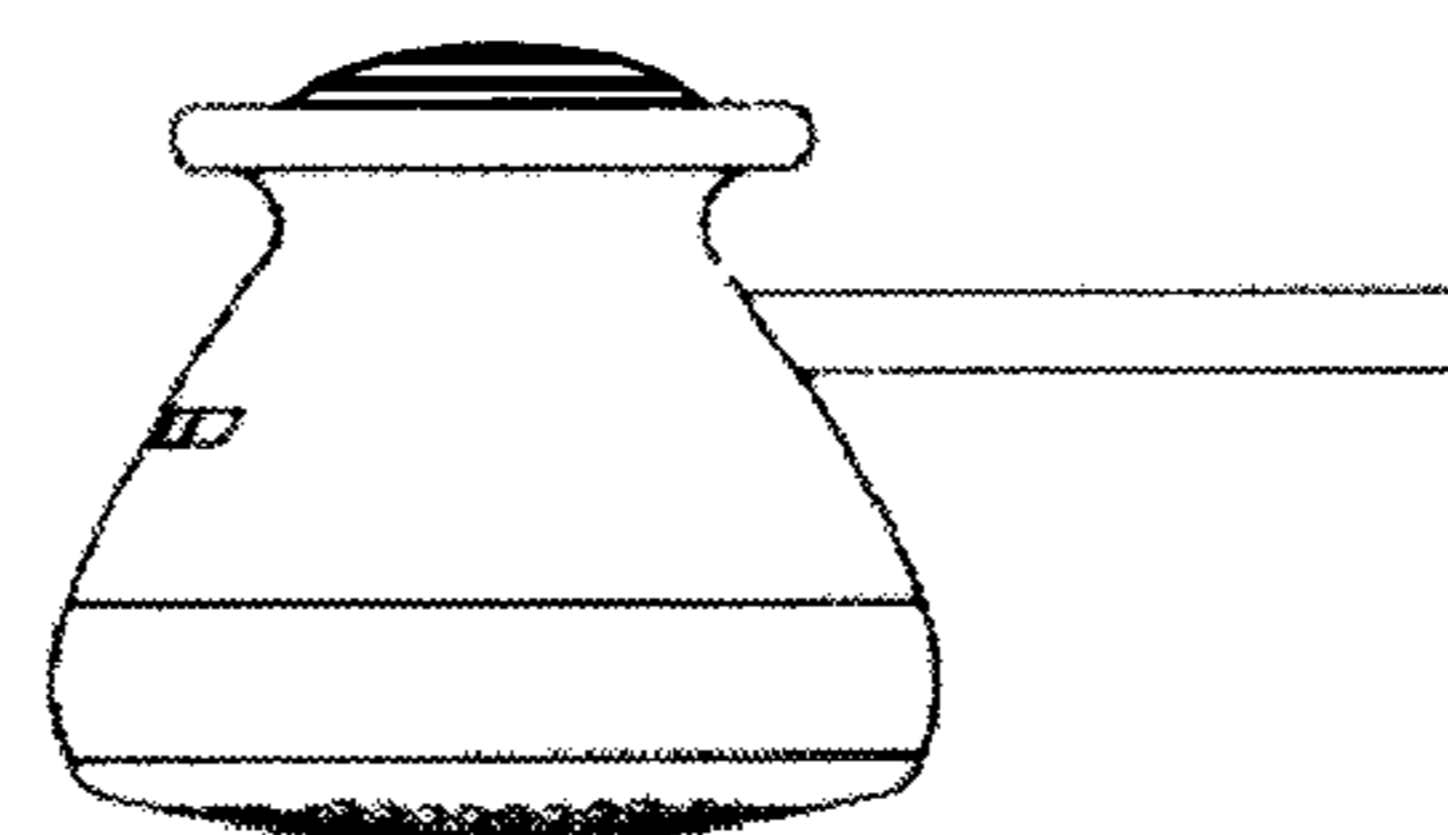


Fig. 15



Fig. 16

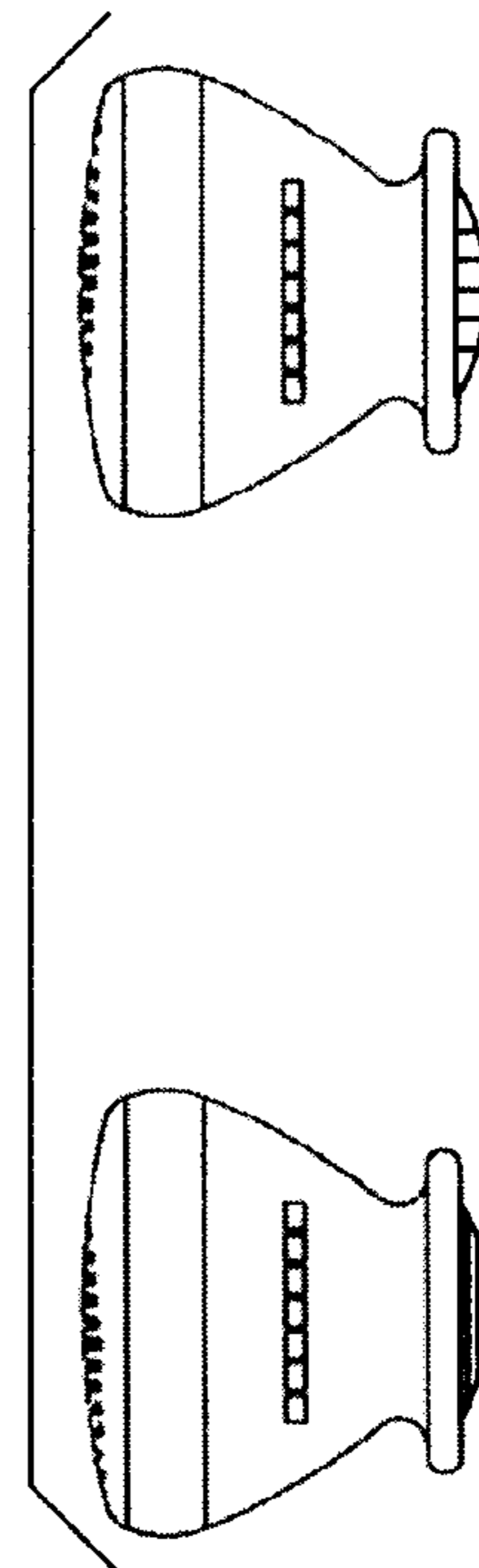


Fig. 18

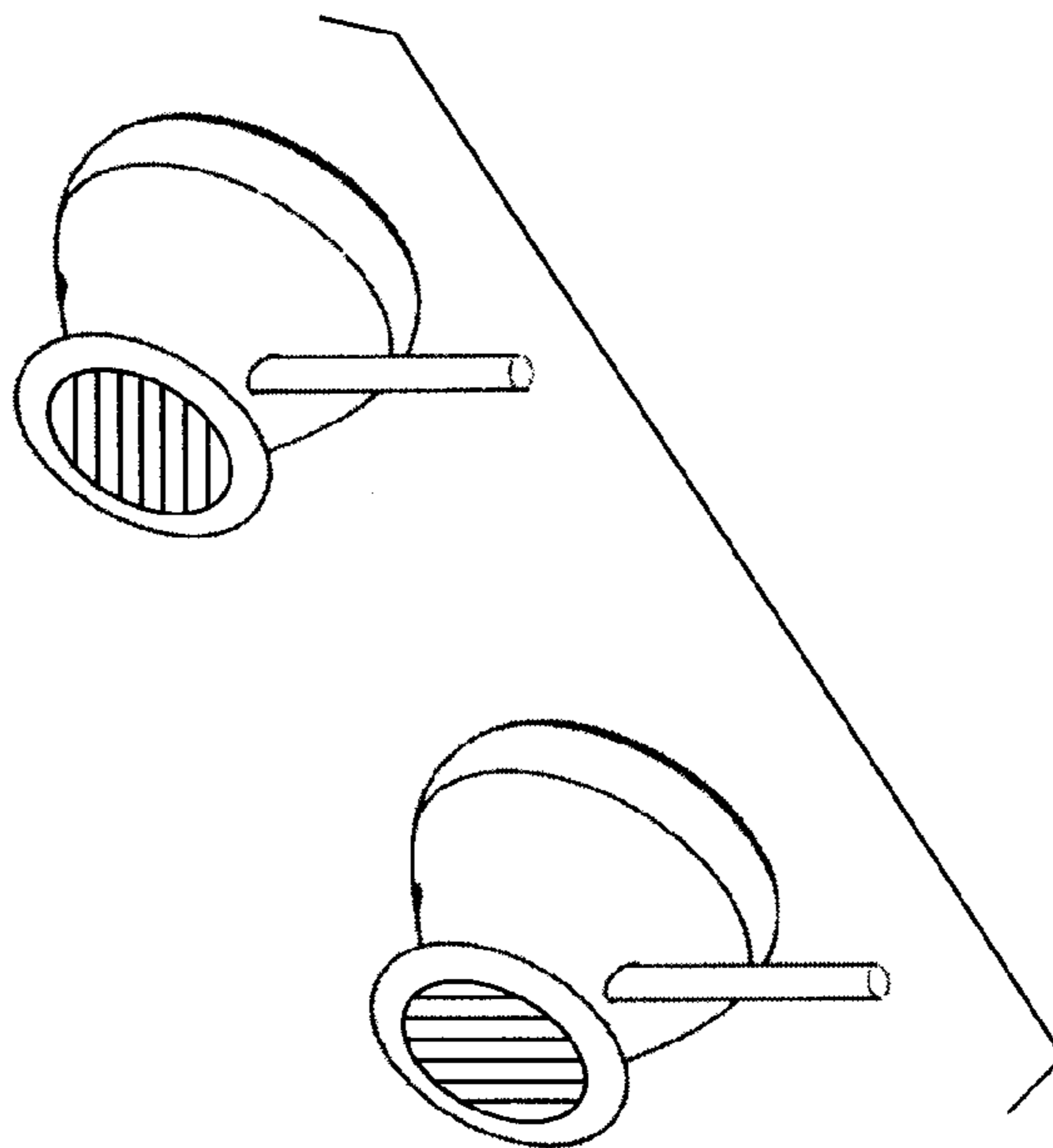


Fig. 17

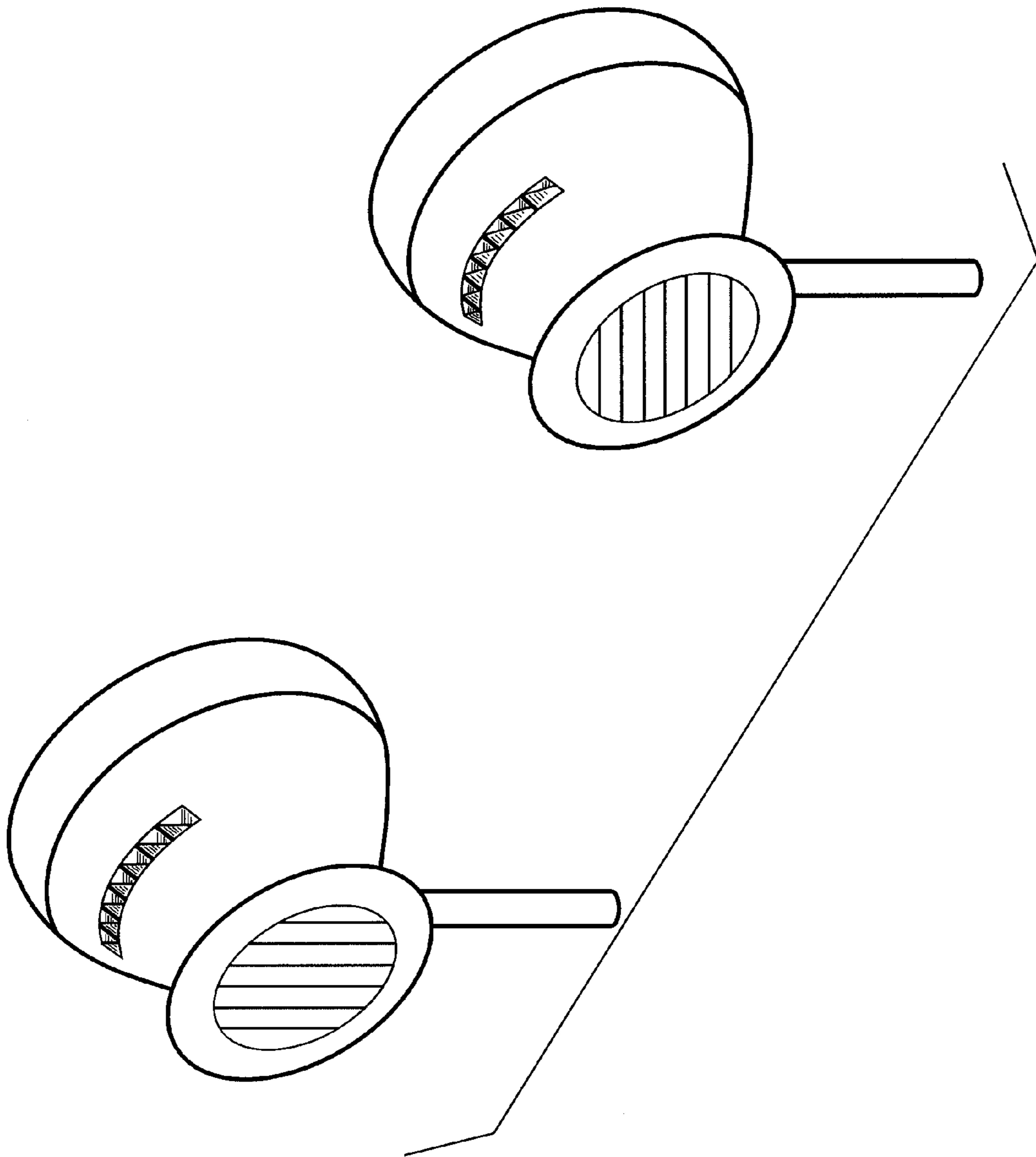


Fig. 19

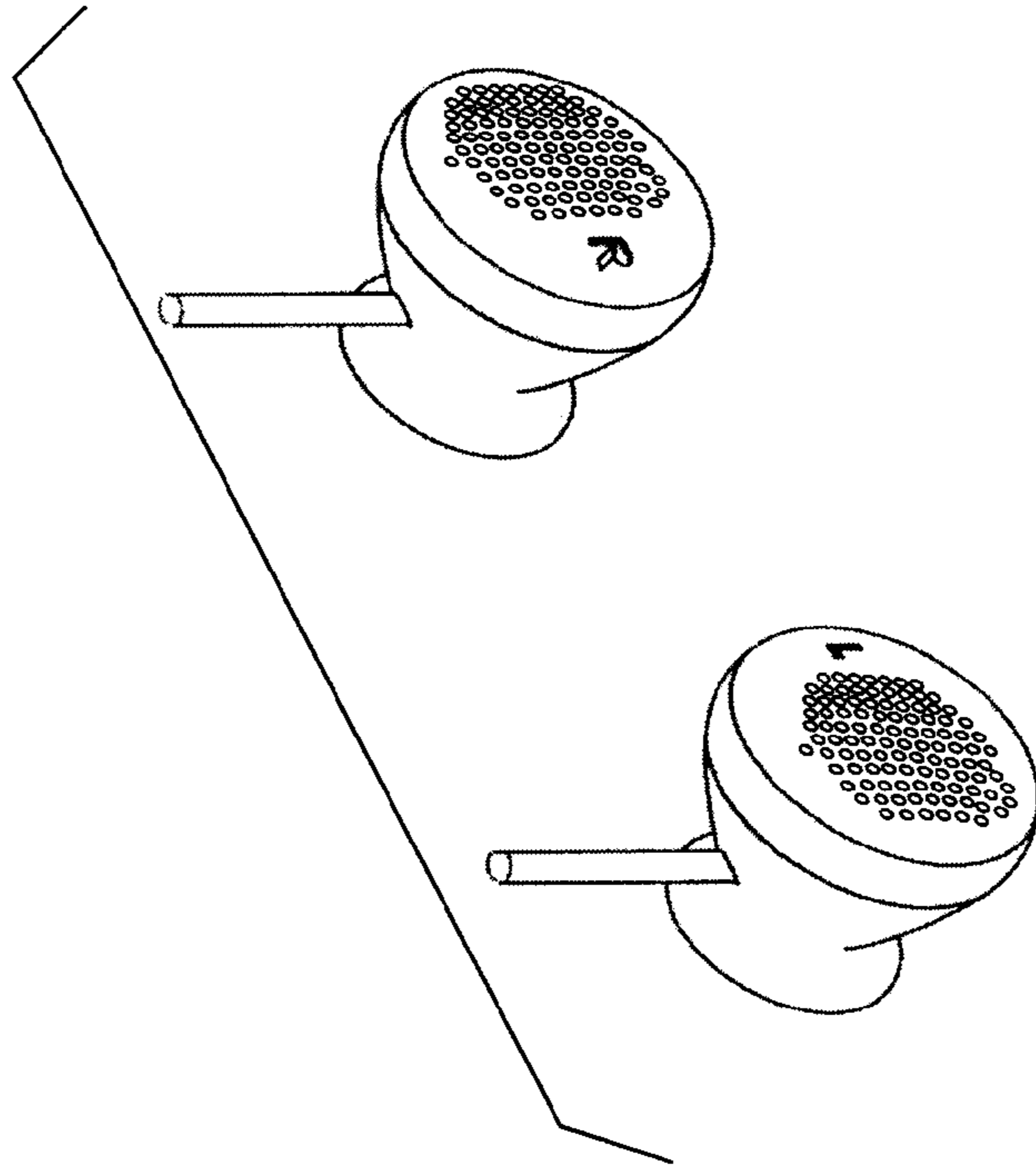


Fig. 20

