

US00D598008S

(12) **United States Design Patent**
Shimizu

(10) **Patent No.:** **US D598,008 S**

(45) **Date of Patent:** **** Aug. 11, 2009**

(54) **REMOTE CONTROLLER**

(75) Inventor: **Naoto Shimizu**, Tokyo (JP)

(73) Assignee: **Sony Computer Entertainment Inc.**,
Tokyo (JP)

(**) Term: **14 Years**

(21) Appl. No.: **29/290,194**

(22) Filed: **Nov. 2, 2007**

(30) **Foreign Application Priority Data**

May 16, 2007 (JP) D2007-012907

(51) **LOC (9) Cl.** **14-03**

(52) **U.S. Cl.** **D14/218**; D13/168

(58) **Field of Classification Search** D14/218,
D14/455, 138; D13/168; D21/566; D10/104,
D10/106; 345/169; 348/14.05, 114, 211.99,
348/734; 340/825.24, 825.69; 341/22; 455/92,
455/95, 128, 151.1-151.4, 352, 355, FOR. 121;
700/65

See application file for complete search history.

(56) **References Cited**

U.S. PATENT DOCUMENTS

2,754,365 A * 7/1956 Walters 381/322
D371,793 S * 7/1996 Patton D14/218
D407,985 S * 4/1999 Pimentel D10/104
D435,543 S 12/2000 Nakamura
D458,249 S 6/2002 Hayashi

D511,985 S * 11/2005 Kelly, Jr. D10/106
D521,460 S * 5/2006 Shimizu D13/168
D524,295 S * 7/2006 Jacobson et al. D14/218
D542,234 S * 5/2007 Shimizu D13/168

FOREIGN PATENT DOCUMENTS

JP D1237515 4/2005
JP D1243325 6/2005

* cited by examiner

Primary Examiner—Robert M Spear

Assistant Examiner—John Windmuller

(74) *Attorney, Agent, or Firm*—Rader, Fishman & Grauer,
PLLC

(57) **CLAIM**

The ornamental design for a remote controller, as shown.

DESCRIPTION

FIG. 1 is a front elevational view of a remote controller showing my new design;

FIG. 2 is a rear elevational view thereof;

FIG. 3 is a left elevational view thereof;

FIG. 4 is a right side elevational view thereof;

FIG. 5 is a top plan view thereof;

FIG. 6 is a bottom plan view thereof;

FIG. 7 is a top, right, front perspective view thereof; and,

FIG. 8 is a bottom, left, rear perspective view thereof.

1 Claim, 8 Drawing Sheets

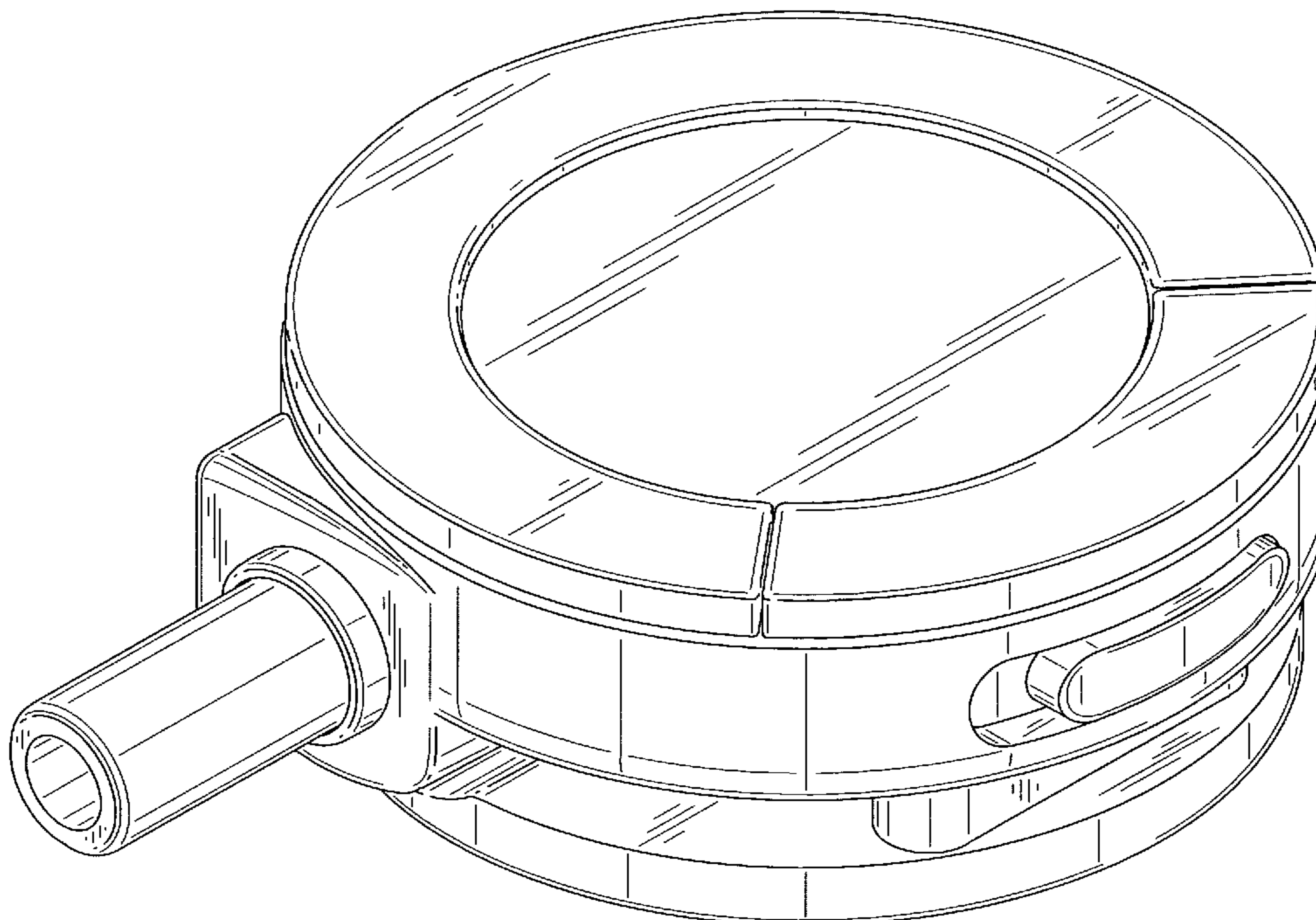


Fig.1

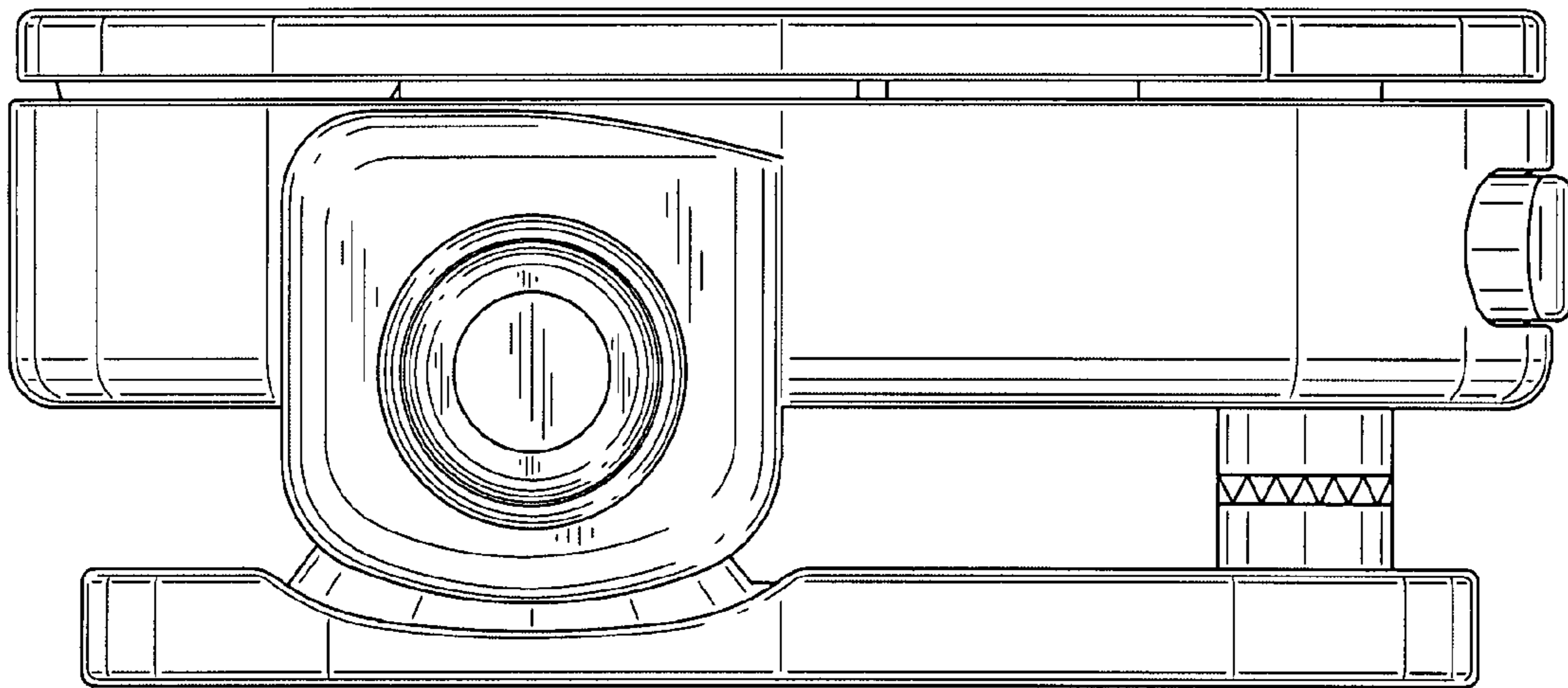


Fig.2

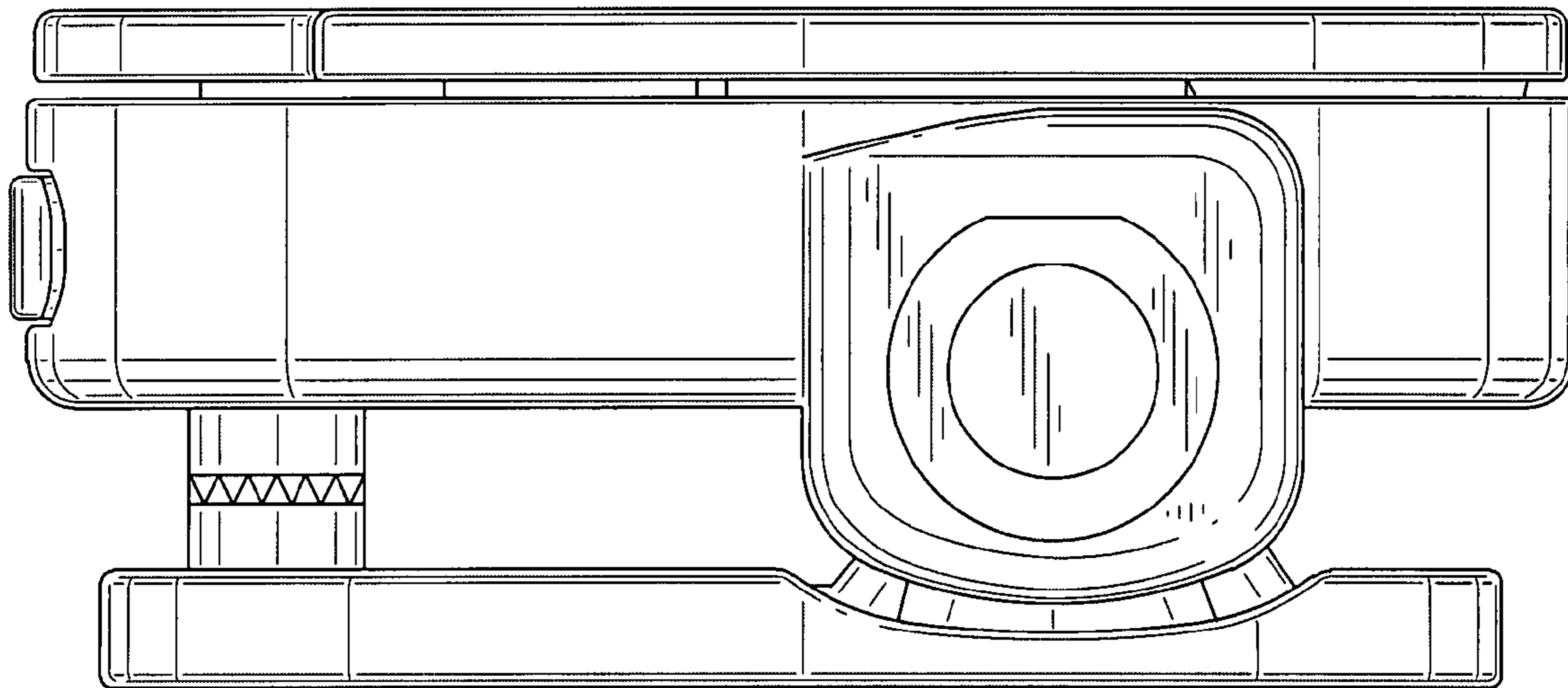


Fig.3

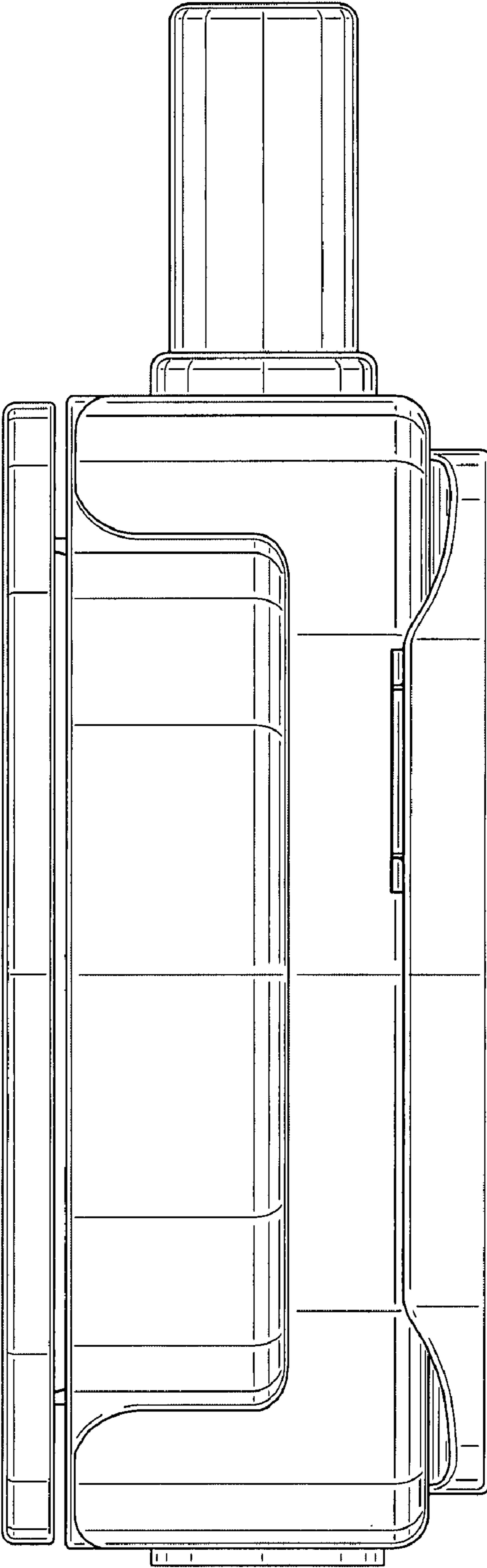


Fig.4

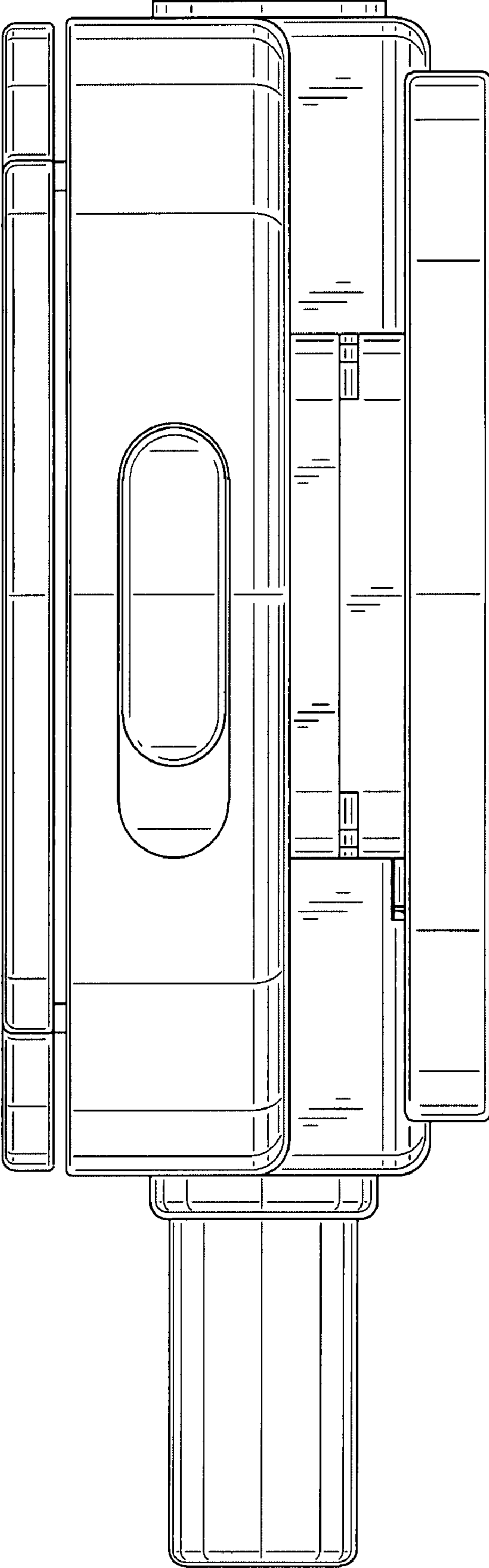


Fig.5

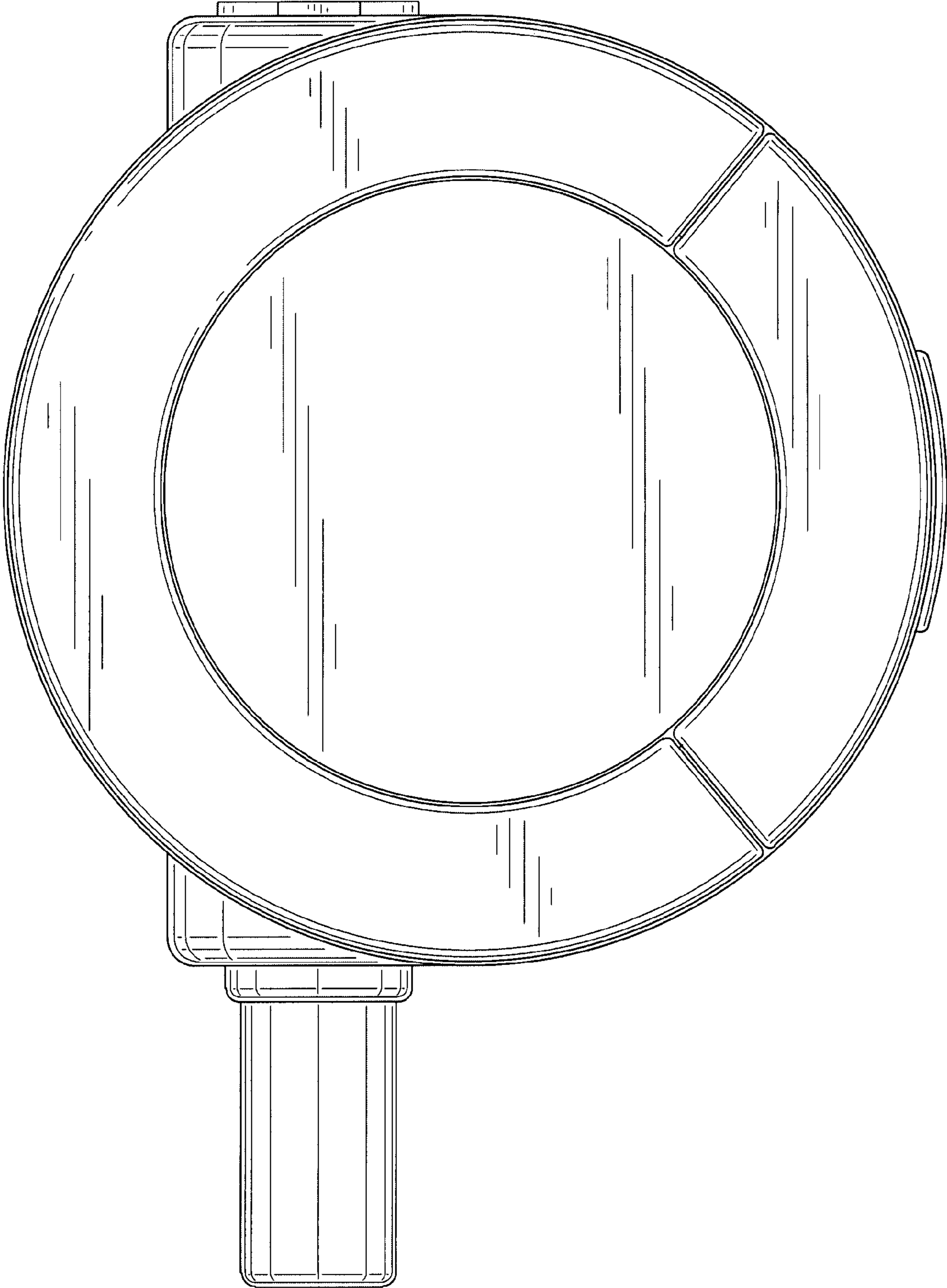
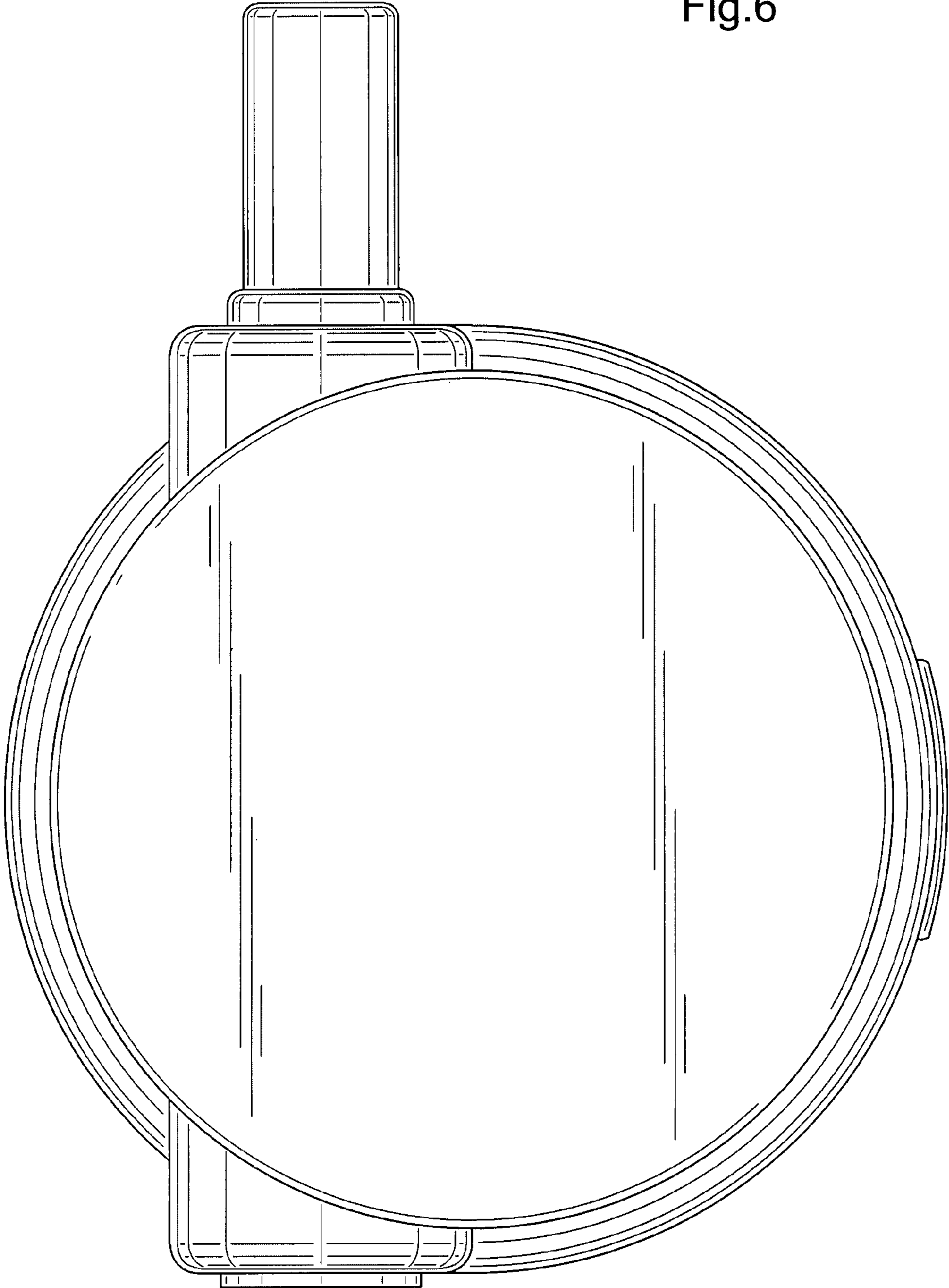


Fig.6



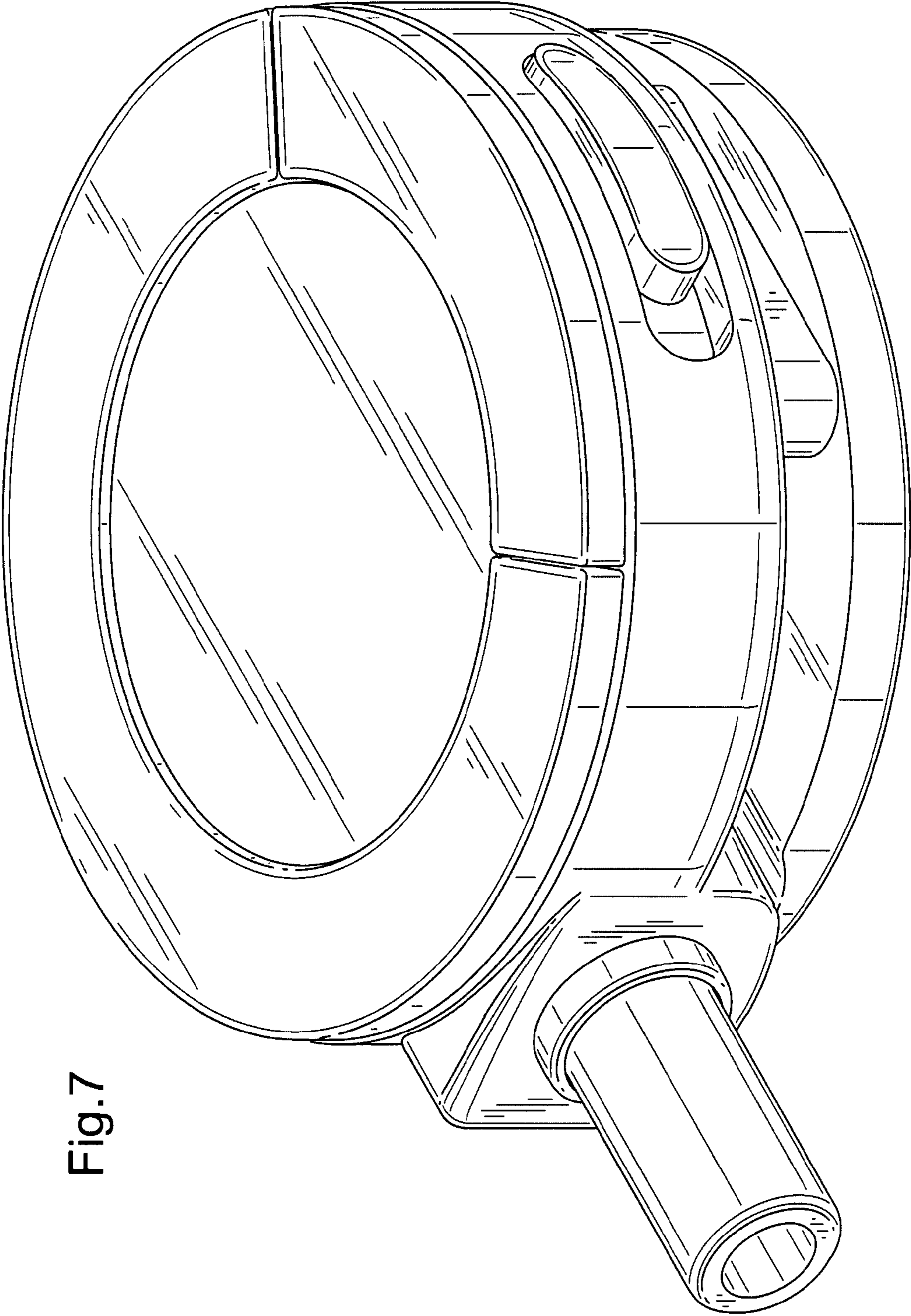


Fig.7

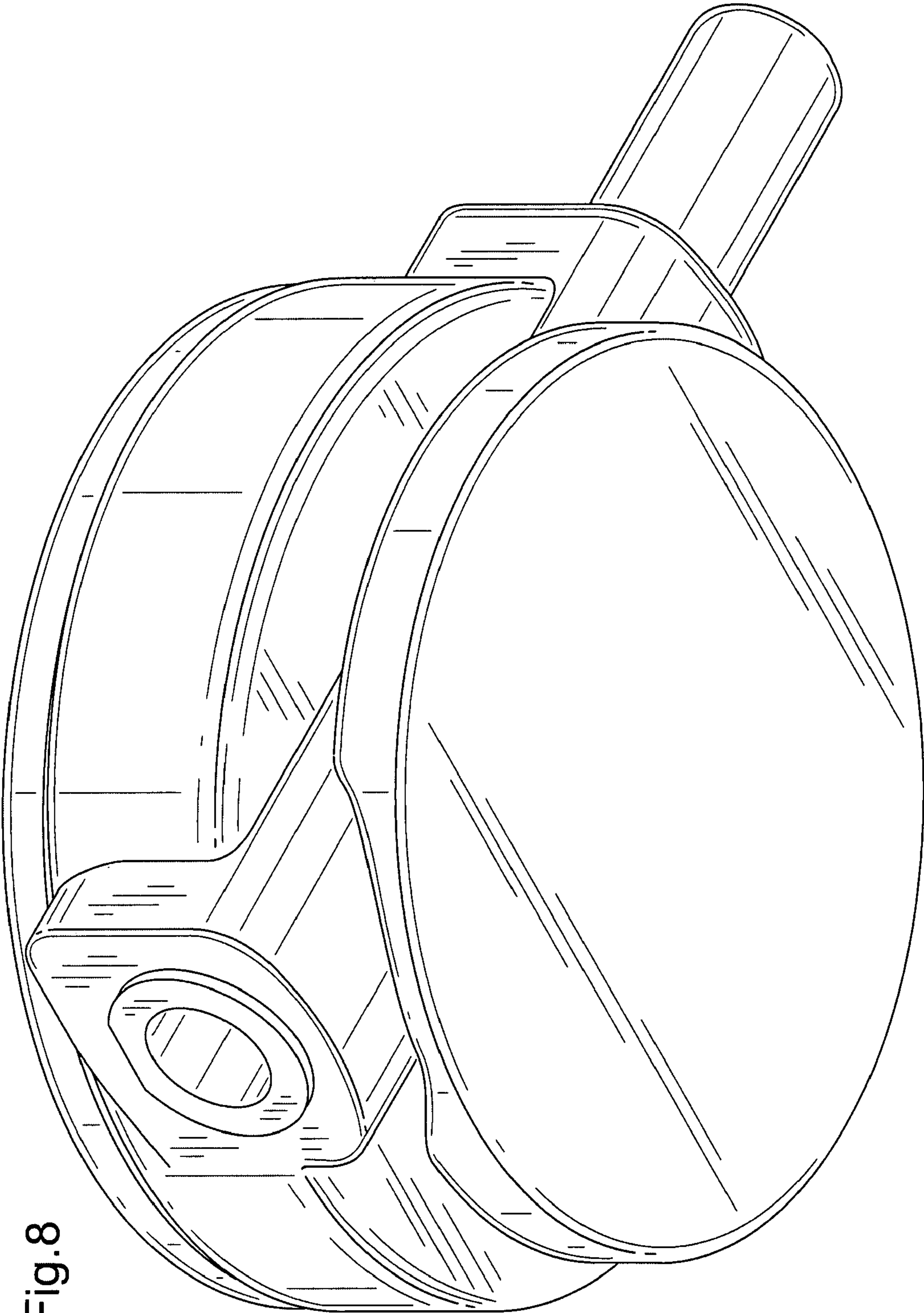


Fig. 8