



US00D598006S

(12) **United States Design Patent**  
**Tse**

(10) **Patent No.:** **US D598,006 S**

(45) **Date of Patent:** **\*\* Aug. 11, 2009**

(54) **DOCKING STATION WITH SPEAKERS**

(76) **Inventor:** **Kin Man Tse**, Units 6A-12, 15<sup>th</sup> Floor,  
Mita Centre, 552-566 Castle Peak Road,  
Kwai Chung, New Territories (HK)

(\*\*) **Term:** **14 Years**

(21) **Appl. No.:** **29/312,912**

(22) **Filed:** **Nov. 21, 2008**

(30) **Foreign Application Priority Data**

Nov. 11, 2008 (HK) ..... 0802695.3M001

(51) **LOC (9) Cl.** ..... **14-01**

(52) **U.S. Cl.** ..... **D14/209.1**

(58) **Field of Classification Search** ..... D14/203.8,  
D14/204, 209, 209.1, 210-217, 168, 172;  
181/143-144, 147-148, 150-153, 157, 198-199;  
381/300-304, 306, 332-333, 336, 345, 361-364,  
381/386-388

See application file for complete search history.

(56) **References Cited**

**U.S. PATENT DOCUMENTS**

4,388,492	A *	6/1983	Sato	.....	381/304
D359,492	S *	6/1995	Dyas	.....	D14/214
D360,637	S *	7/1995	Arie	.....	D14/214
7,095,867	B2 *	8/2006	Schul et al.	.....	381/334
D532,773	S *	11/2006	Langberg et al.	.....	D14/209.1
D535,942	S *	1/2007	Kim	.....	D14/209.1
D552,080	S *	10/2007	Langberg et al.	.....	D14/217
D553,611	S *	10/2007	Gan	.....	D14/168
D554,104	S *	10/2007	Kurihara	.....	D14/214
D556,188	S *	11/2007	Ang et al.	.....	D14/217
D557,686	S *	12/2007	Tse	.....	D14/214

\* cited by examiner

*Primary Examiner*—Nanda Bondade

(74) *Attorney, Agent, or Firm*—Alix, Yale & Ristas, LLP

(57) **CLAIM**

The ornamental design for a docking station with speakers, as shown and described.

**DESCRIPTION**

FIG. 1 is a front and left side perspective view of a docking station with speakers showing my new design;

FIG. 2 is a rear, left side and top perspective view thereof;

FIG. 3 is a front elevational view thereof;

FIG. 4 is a rear elevational view thereof;

FIG. 5 is a left side elevational view thereof;

FIG. 6 is a right side elevational view thereof;

FIG. 7 is a top plan view thereof;

FIG. 8 is a bottom plan view thereof;

FIG. 9 is a front and left side perspective view thereof with a cover;

FIG. 10 is a front, left side and bottom perspective view thereof with the cover;

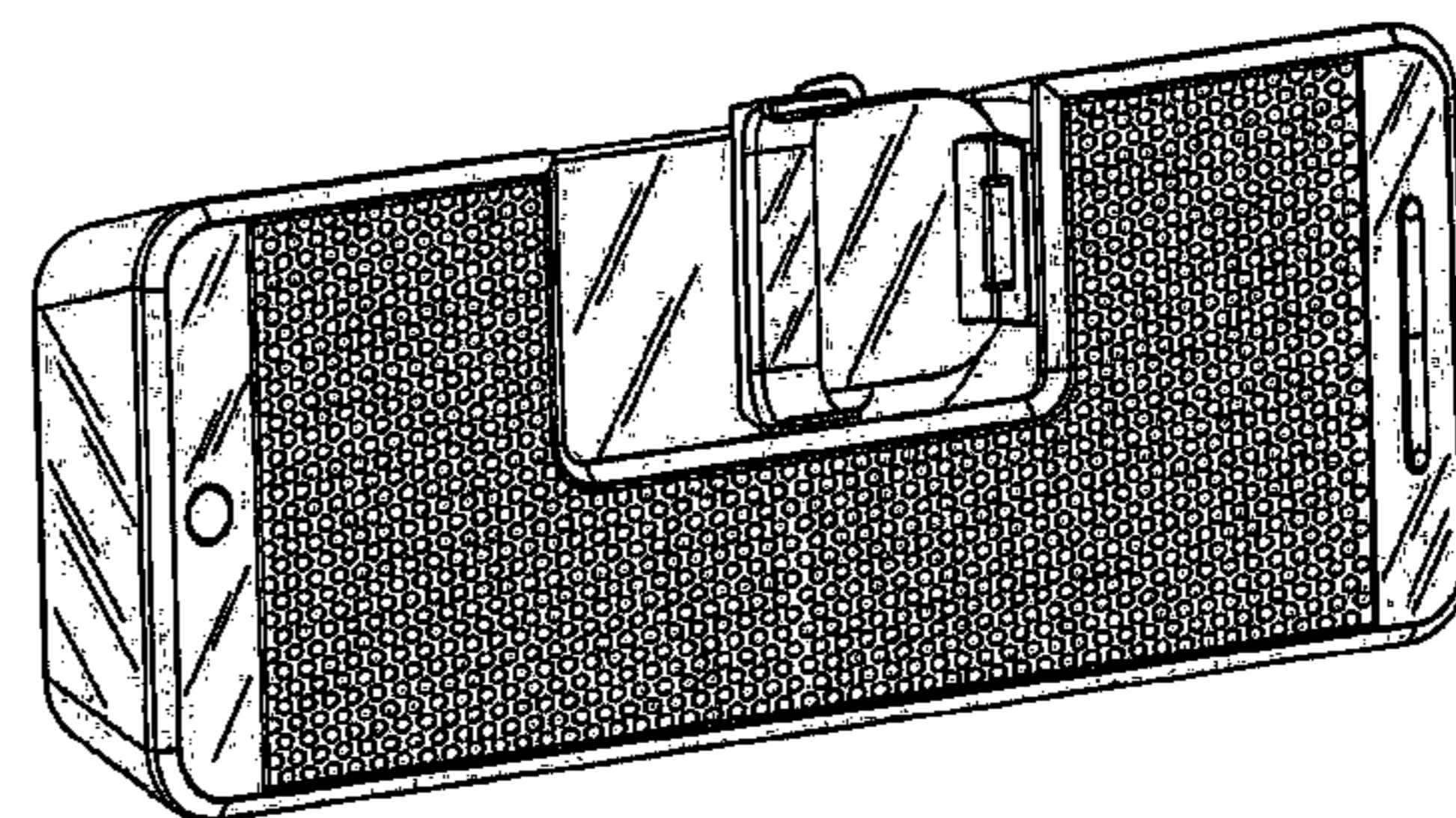
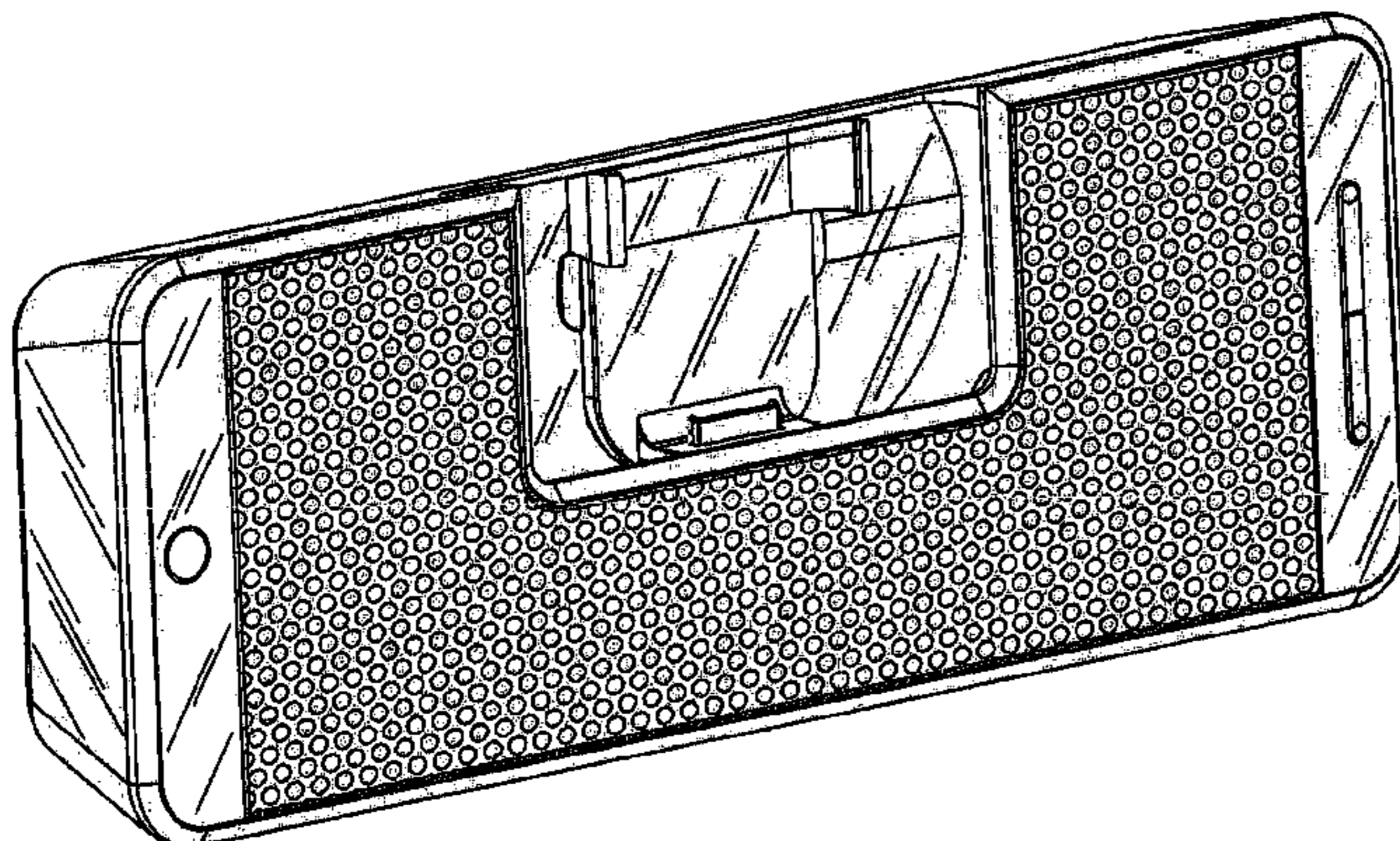
FIG. 11 is a front and left side perspective view FIG. 1 in a first alternate position;

FIG. 12 is a front and left side perspective view thereof in a second alternate position; and,

FIG. 13 is a front and left side perspective view thereof in a third alternate position.

FIGS. 11-13 are on a reduced scale.

**1 Claim, 8 Drawing Sheets**





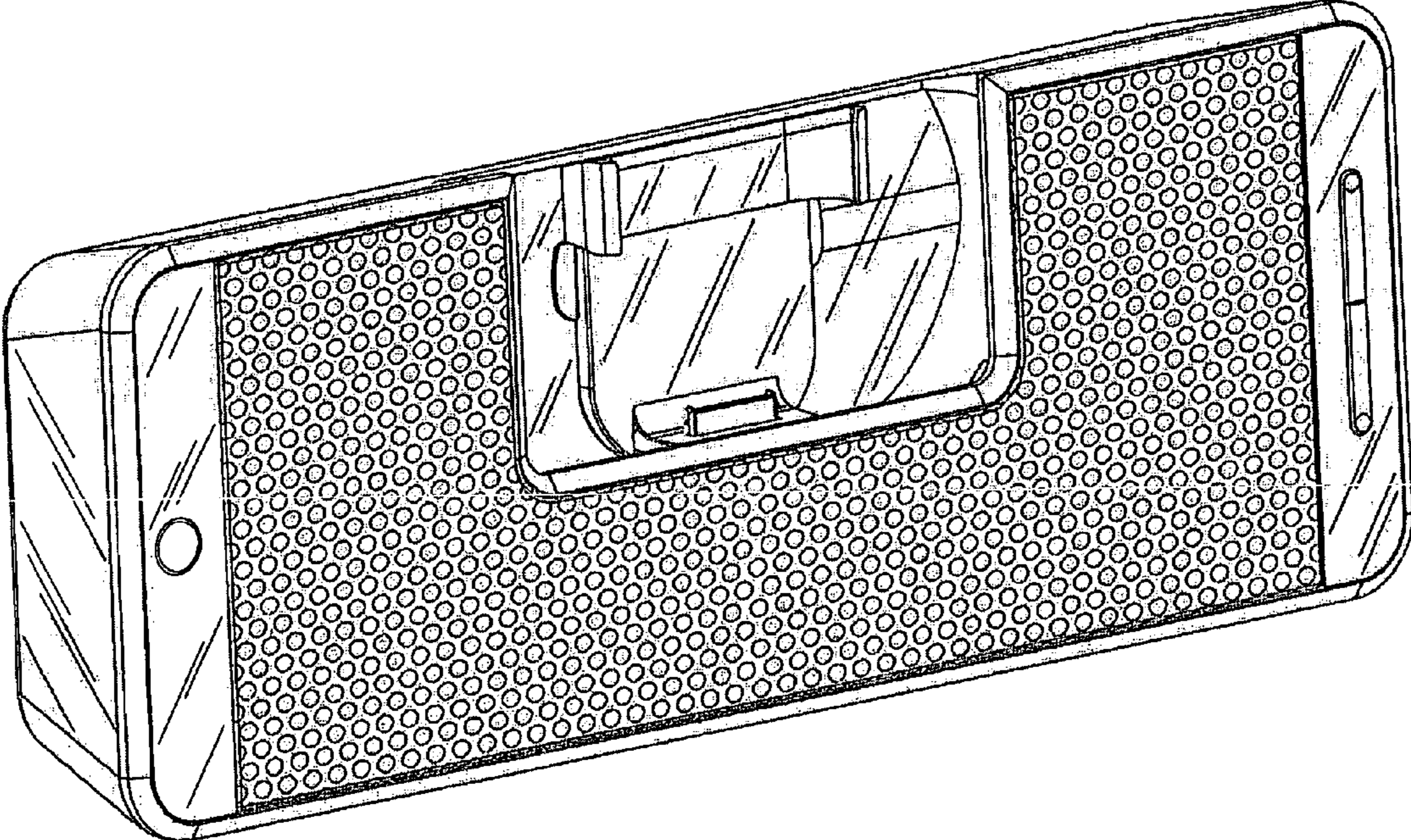


FIG. 1

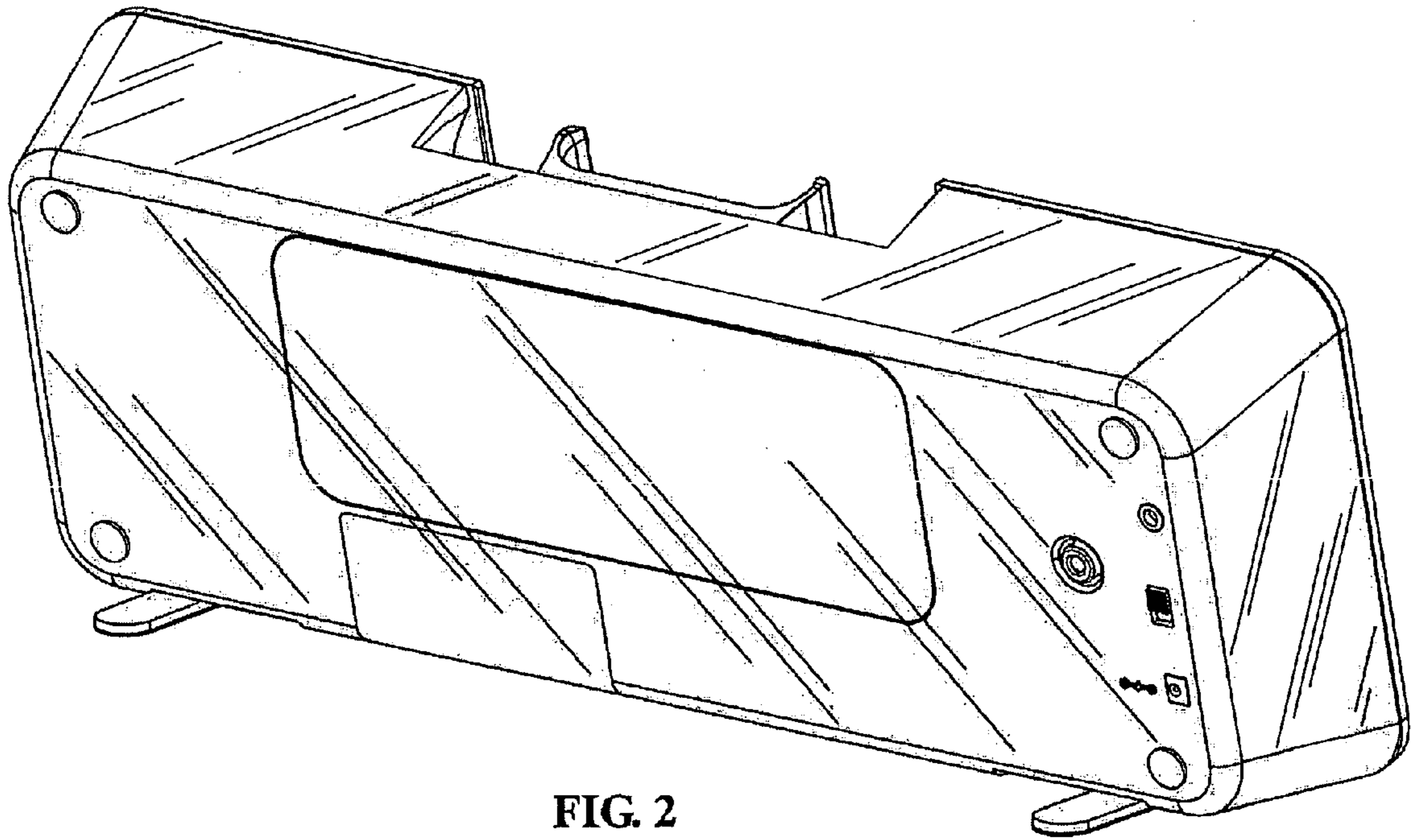


FIG. 2



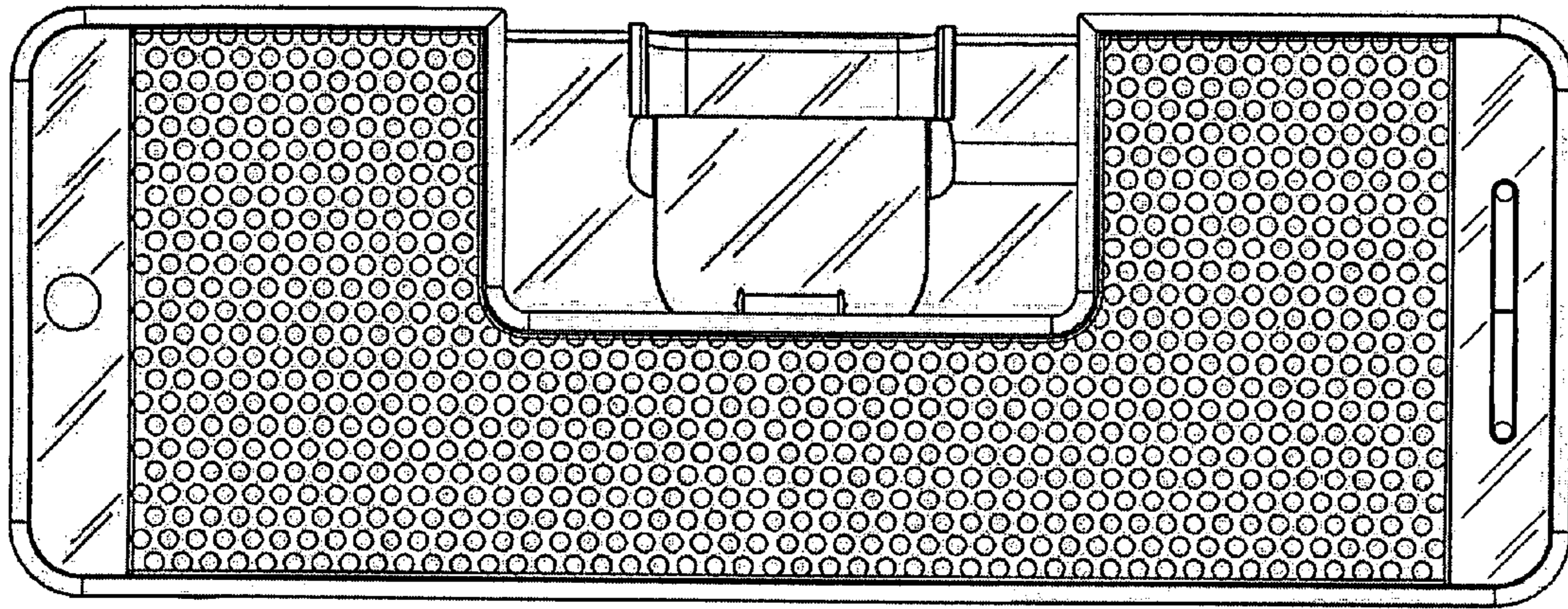


FIG. 3

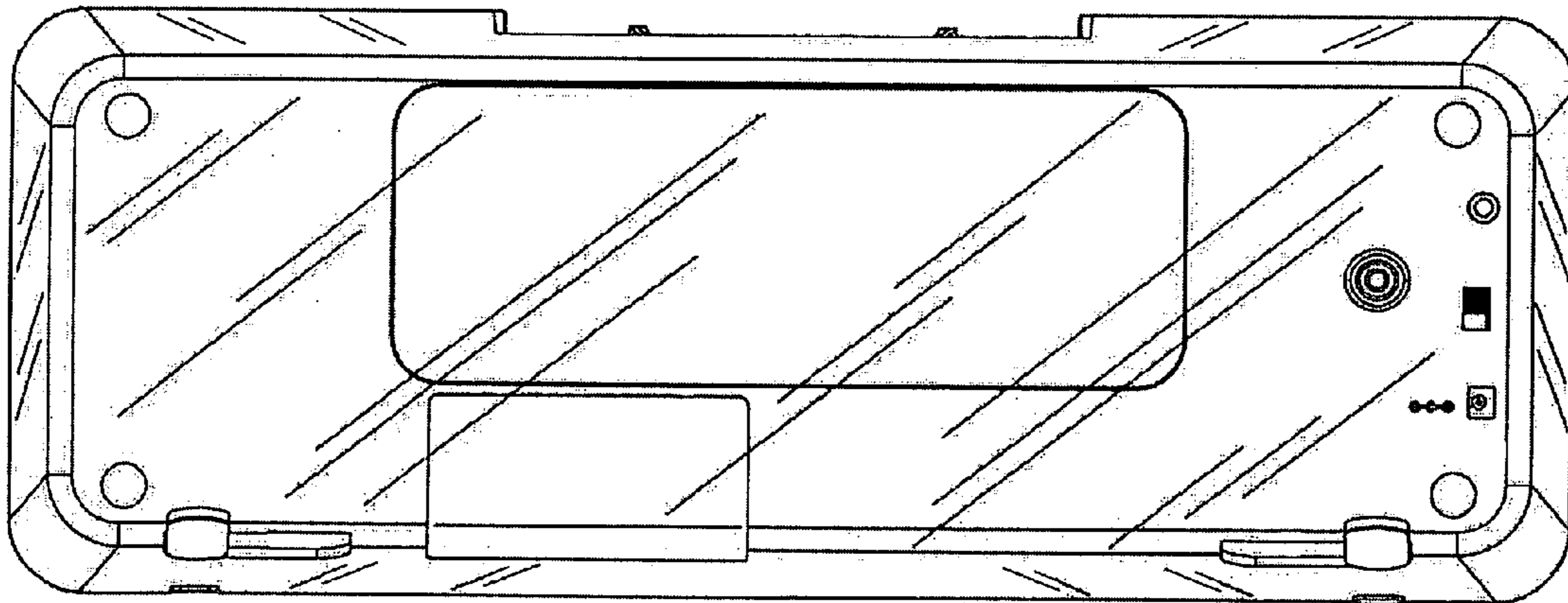


FIG. 4

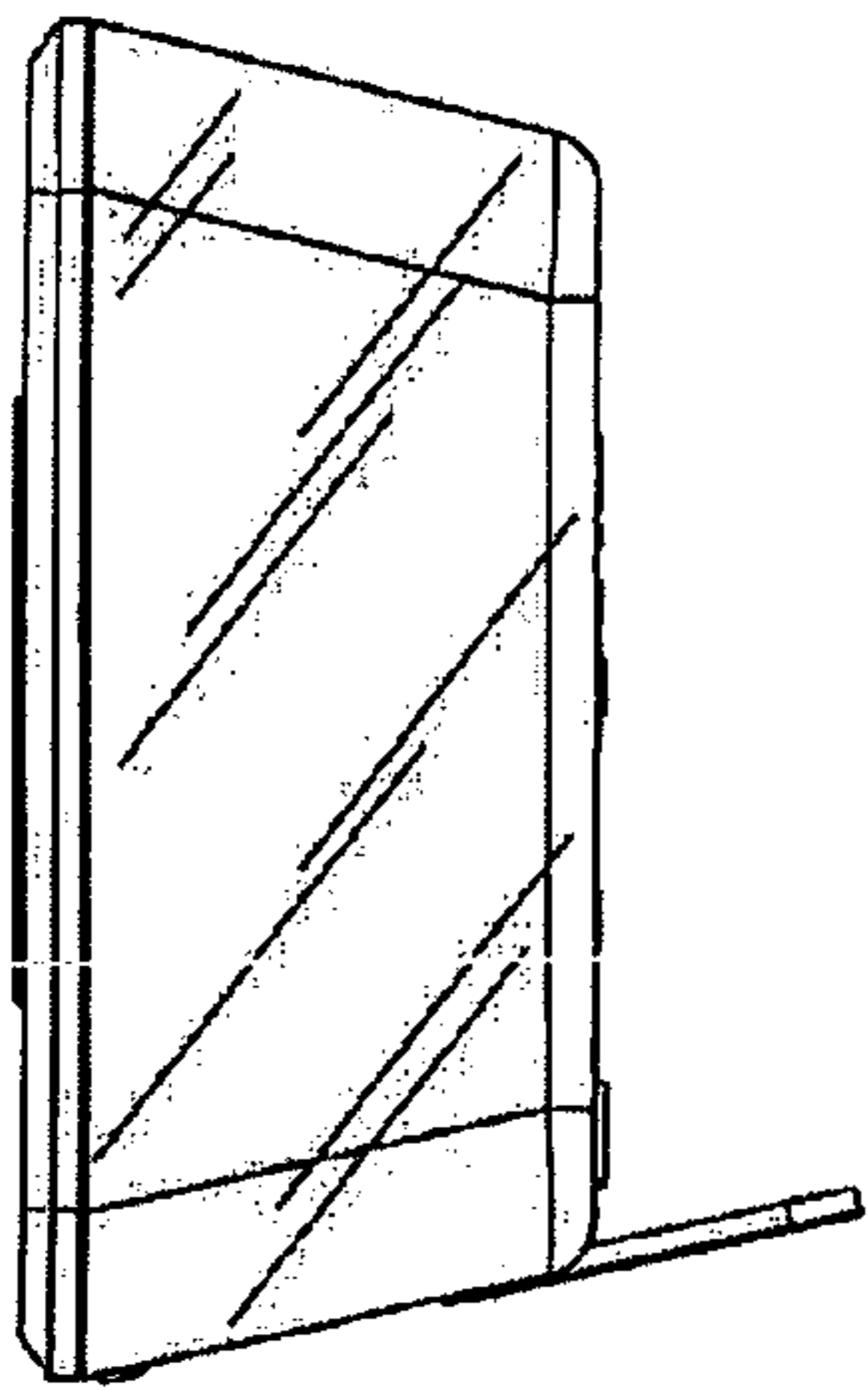


FIG. 6

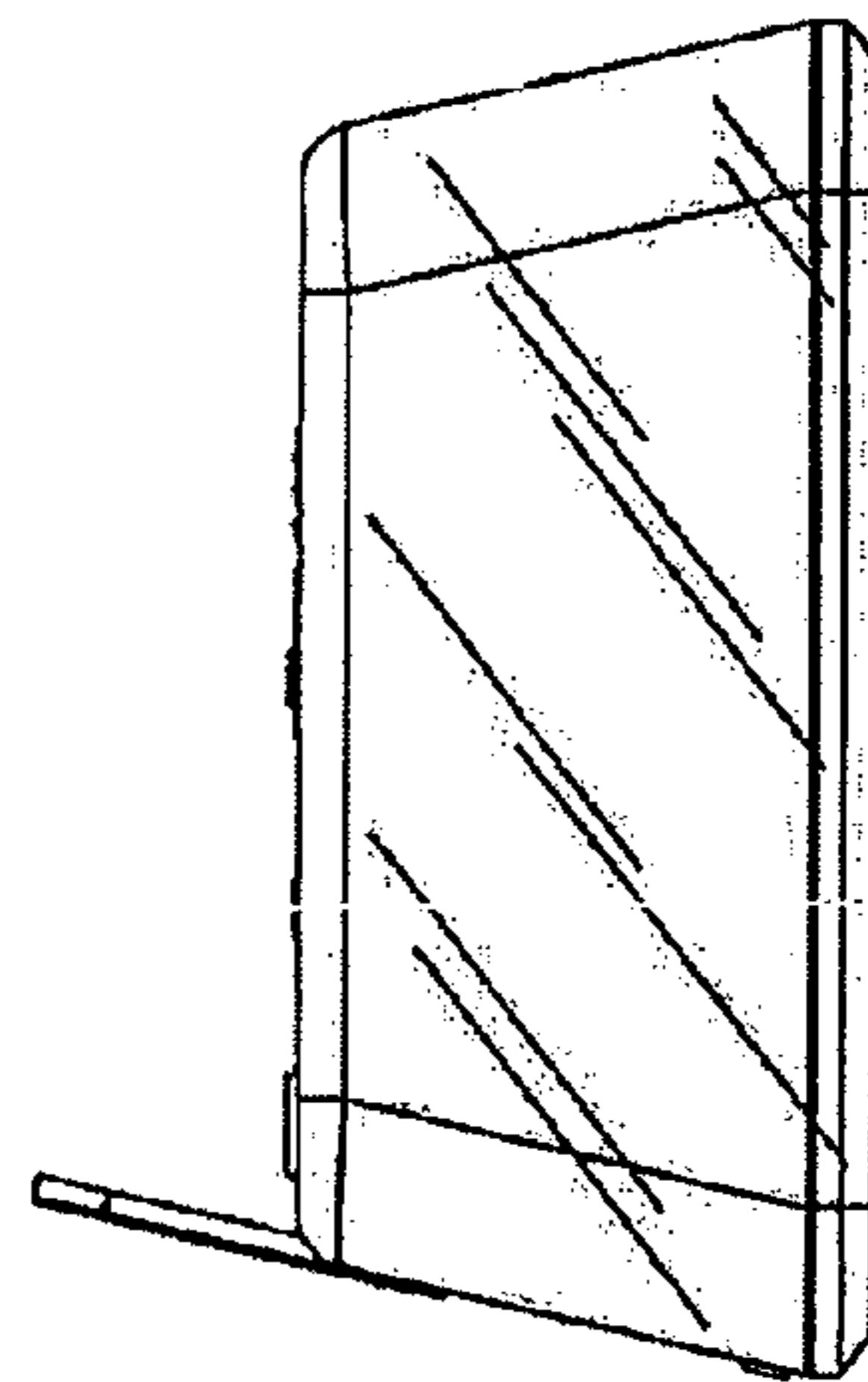


FIG. 5

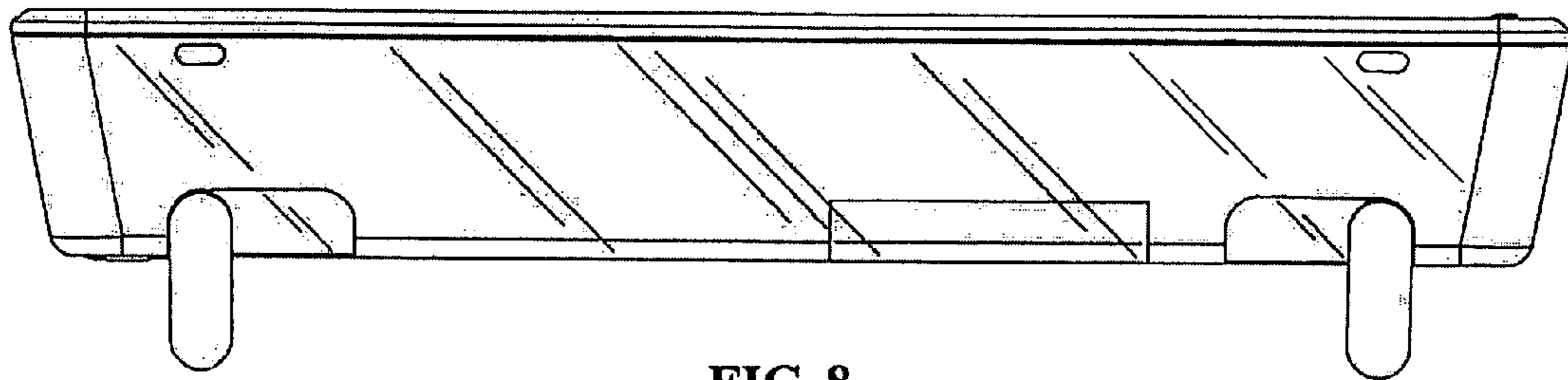


FIG. 8

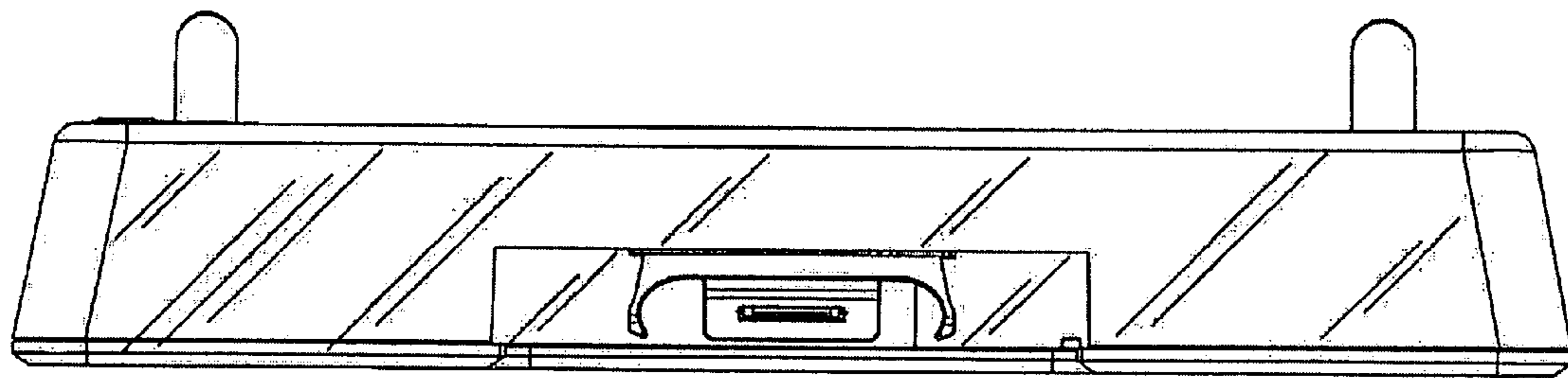


FIG. 7



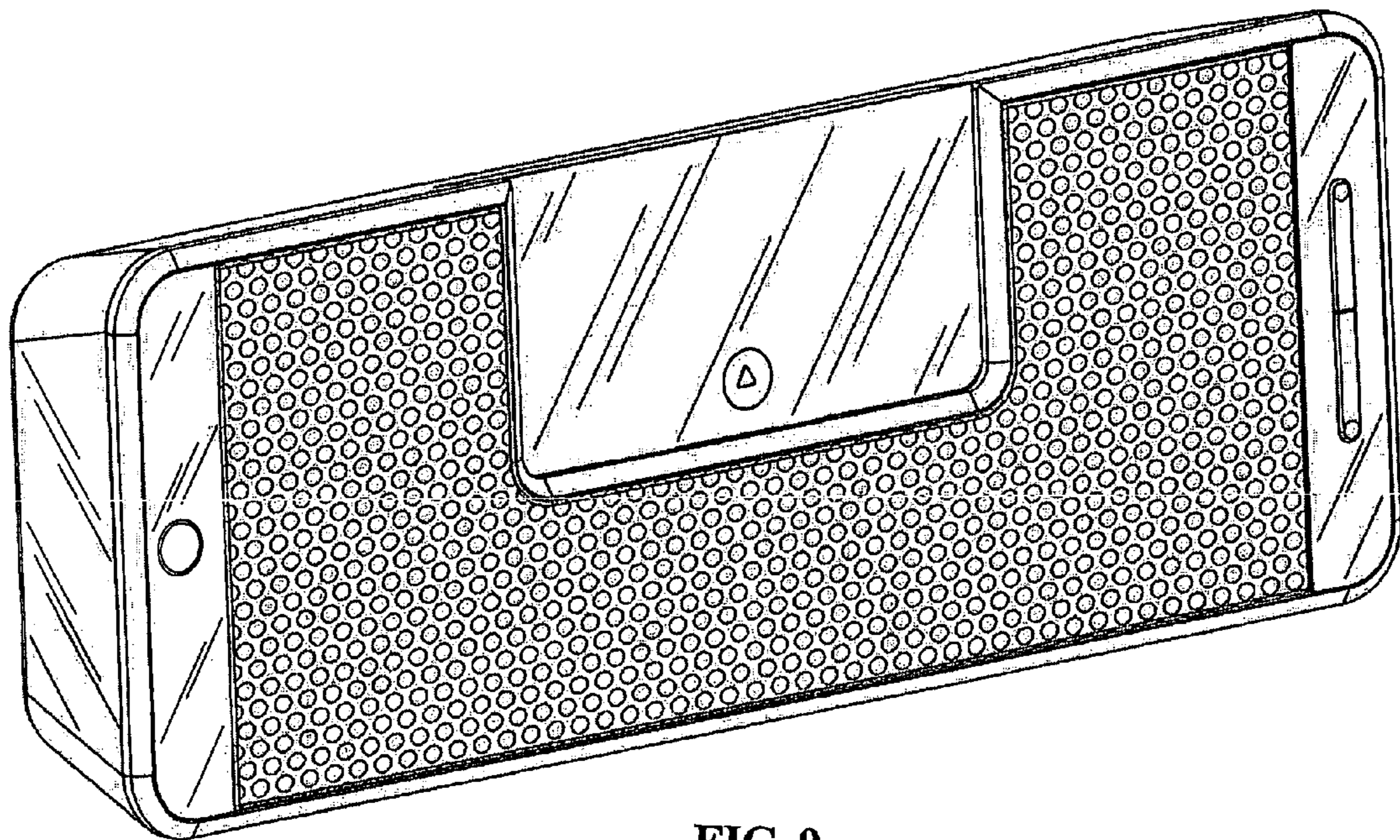


FIG. 9

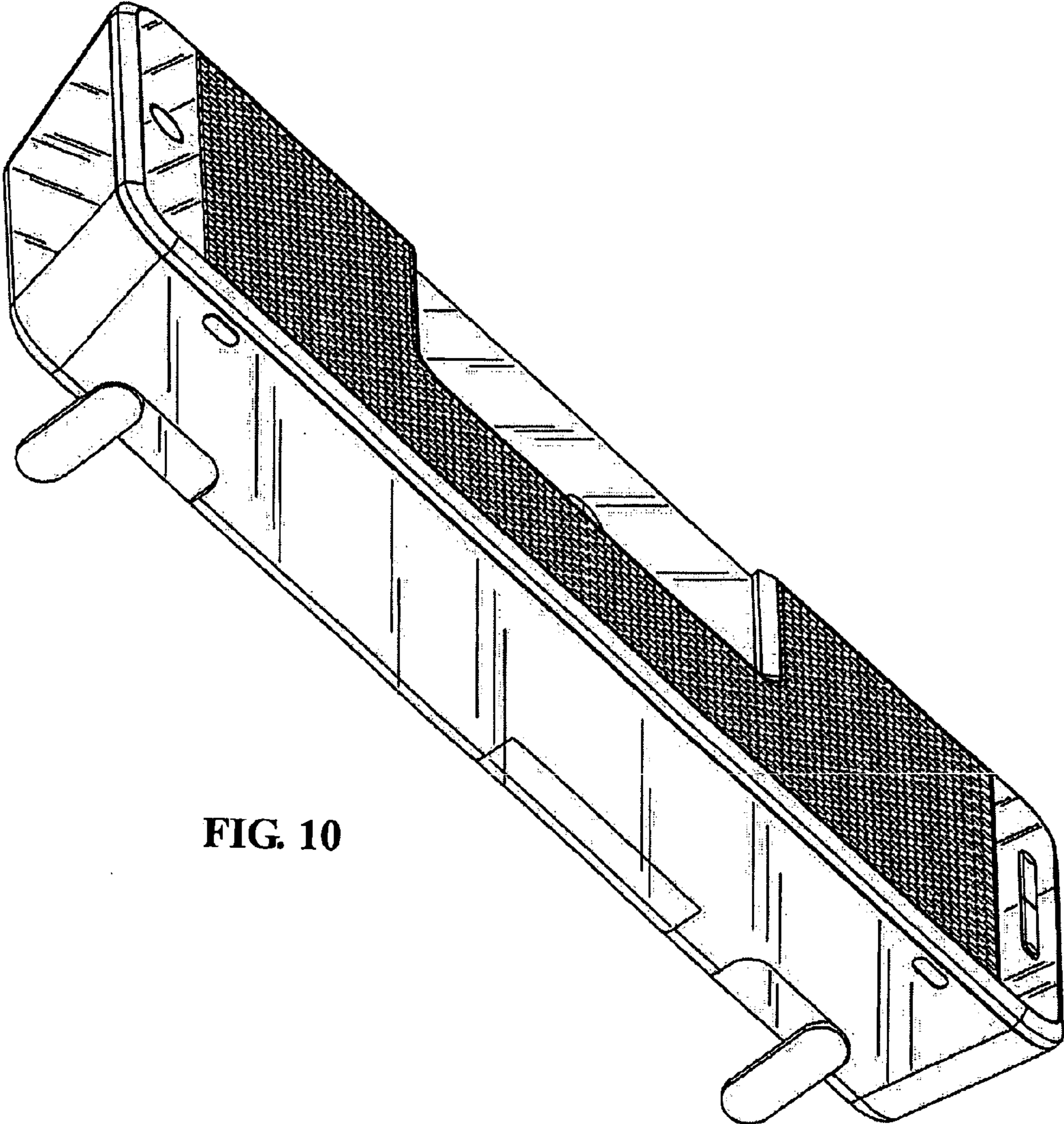


FIG. 10



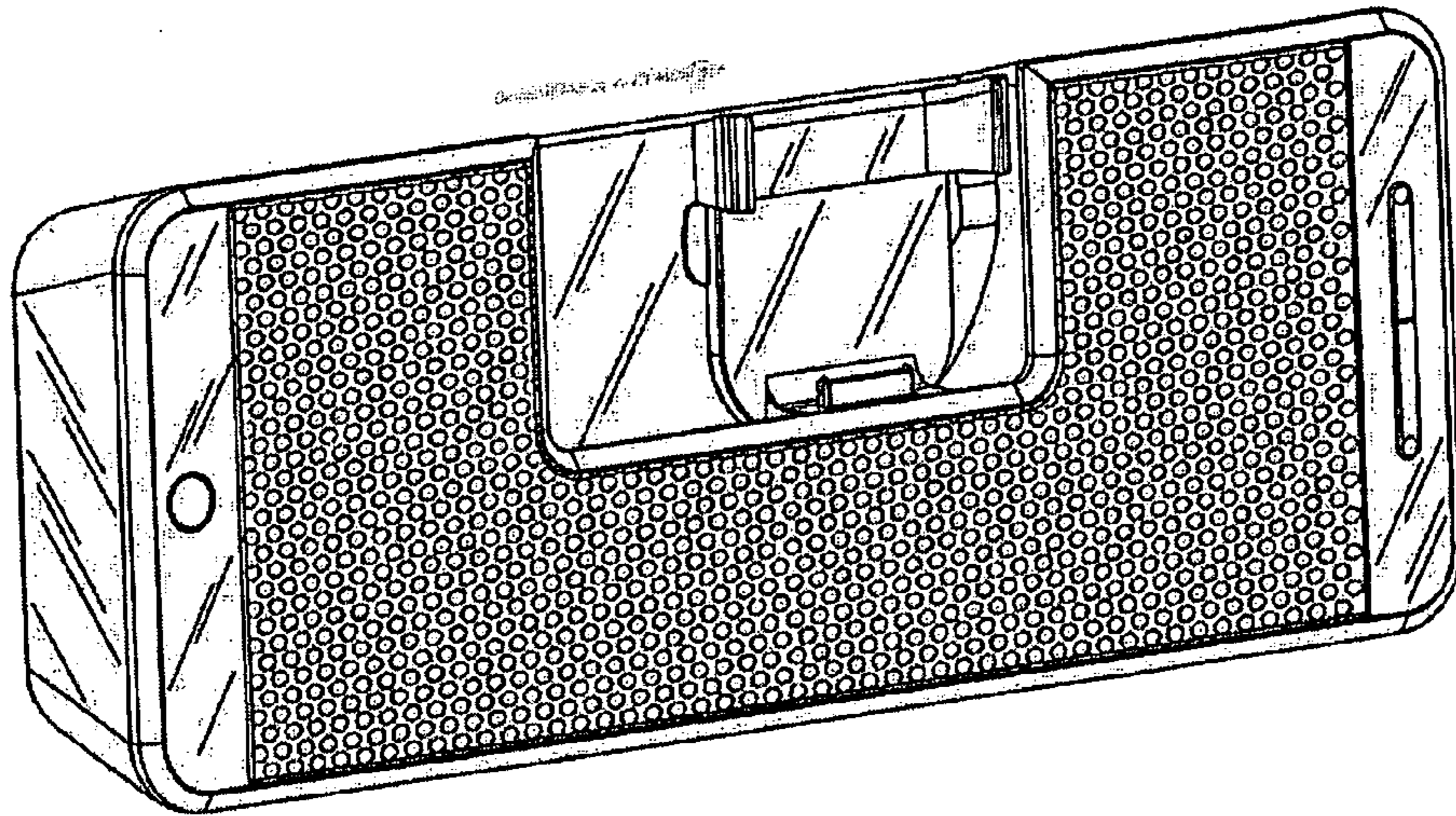


FIG. 11

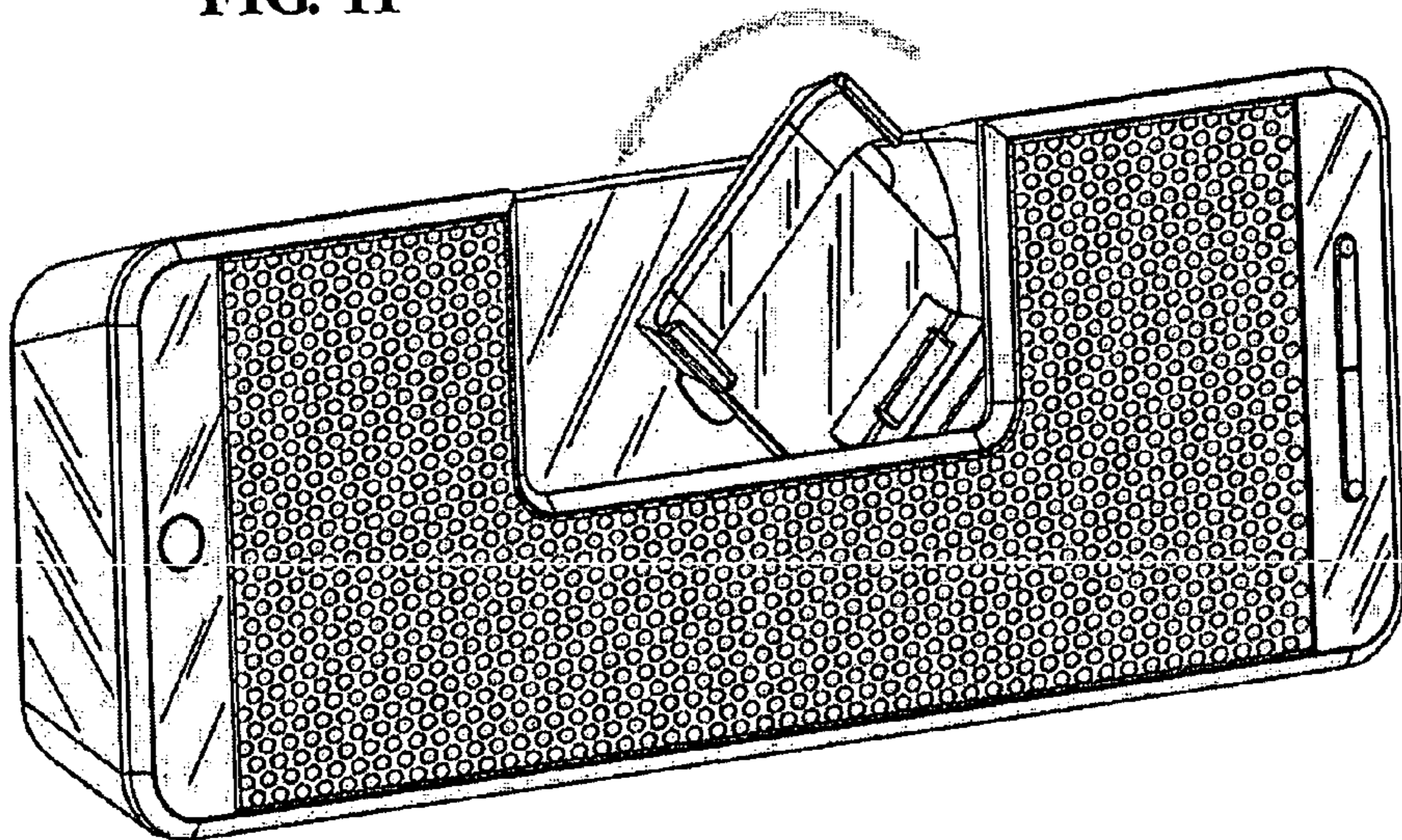


FIG. 12

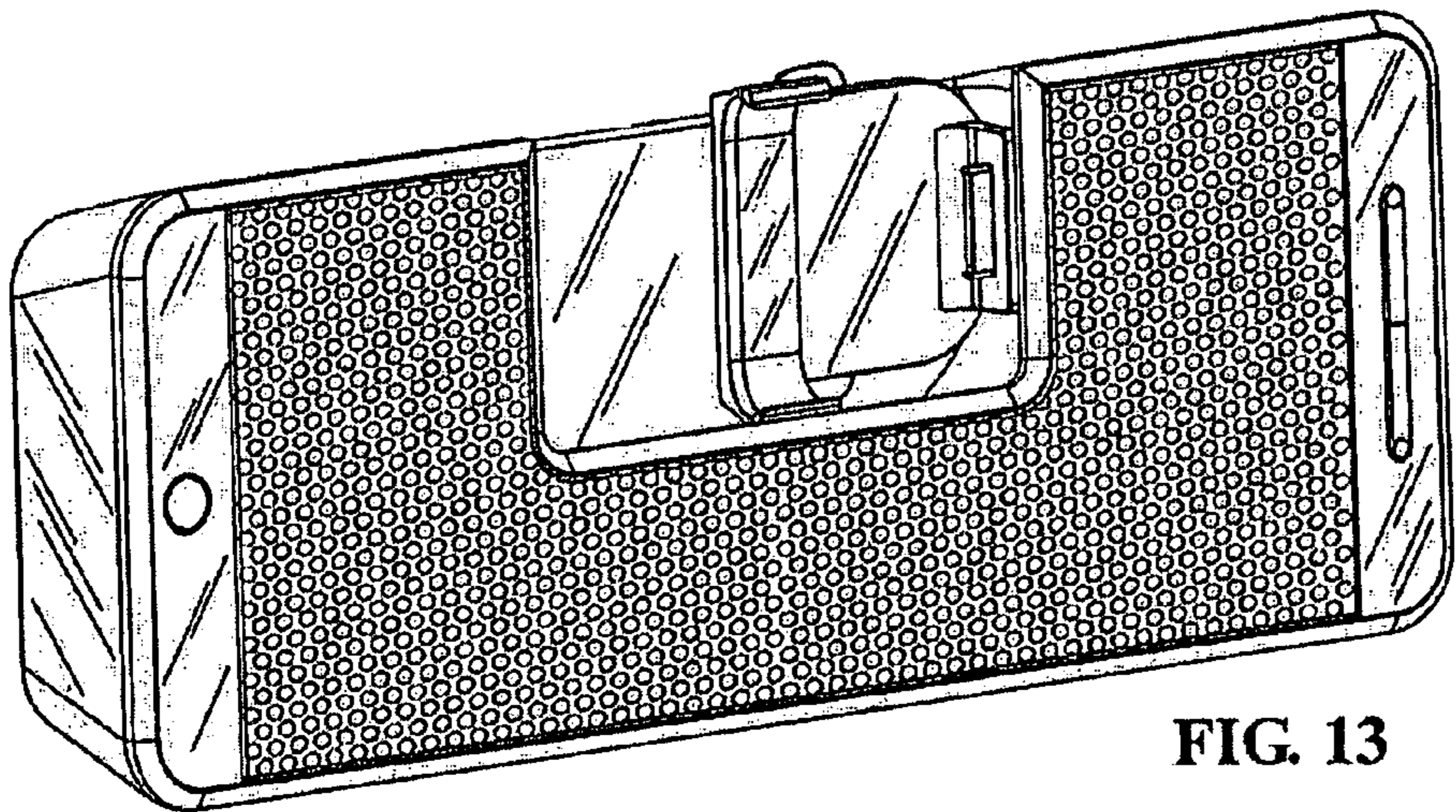


FIG. 13