



US00D598005S

(12) **United States Design Patent**
Amano

(10) **Patent No.:** **US D598,005 S**

(45) **Date of Patent:** **** Aug. 11, 2009**

(54) **SPEAKER**

(75) Inventor: **Nobuyoshi Amano**, Tama (JP)

(73) Assignee: **Teac Corporation**, Tama-Shi, Tokyo (JP)

(**) Term: **14 Years**

(21) Appl. No.: **29/311,134**

(22) Filed: **Dec. 29, 2008**

(51) **LOC (9) Cl.** **14-01**

(52) **U.S. Cl.** **D14/209.1**

(58) **Field of Classification Search** D14/203.8,
D14/204, 209.1, 210–216, 170–172; 181/143–144,
181/147–148, 150–153, 157, 198–199; 381/300–303,
381/306, 332–333, 336, 345, 361–364, 386–388
See application file for complete search history.

(56) **References Cited**

U.S. PATENT DOCUMENTS

5,825,408 A * 10/1998 Yuyama et al. 348/14.01

D527,018 S * 8/2006 Christianson D14/209.1

D554,105 S * 10/2007 Langberg et al. D14/214

D557,256 S * 12/2007 Joseph D14/214

* cited by examiner

Primary Examiner—Nanda Bondade

(74) *Attorney, Agent, or Firm*—Manabu Kanesaka

(57) **CLAIM**

The ornamental design for a speaker, as shown and described.

DESCRIPTION

FIG. 1 is a perspective view of a speaker showing my new design;

FIG. 2 is a front view thereof;

FIG. 3 is a rear view thereof;

FIG. 4 is a top plan view thereof;

FIG. 5 is a bottom view thereof;

FIG. 6 is a left side view thereof;

FIG. 7 is a right side view thereof; and,

FIG. 8 is a reference drawing thereof in a usage state.

The broken line showing on FIG. 8 is for illustrative purposes only and forms no part of the claimed design.

1 Claim, 6 Drawing Sheets

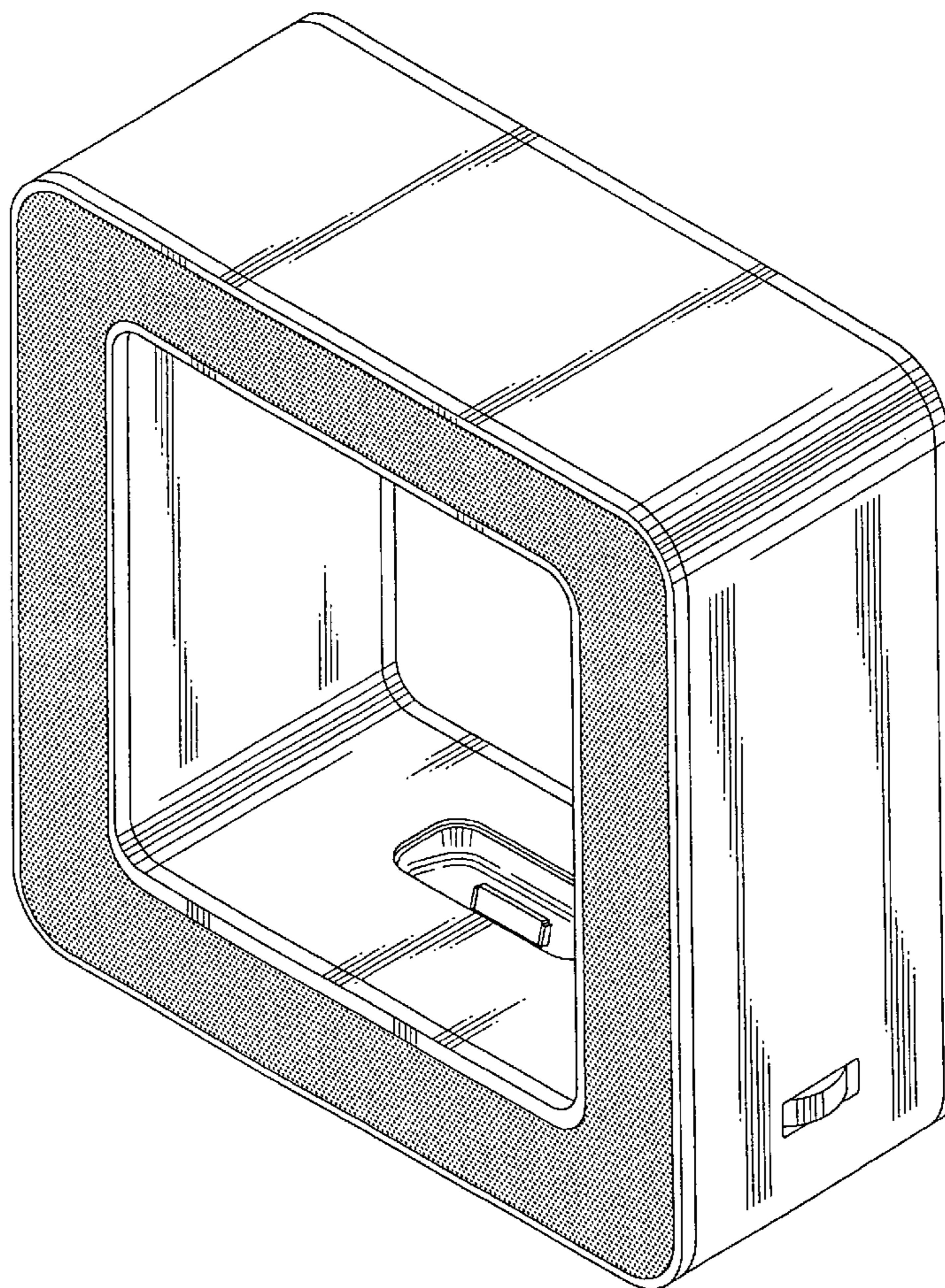


FIG.1

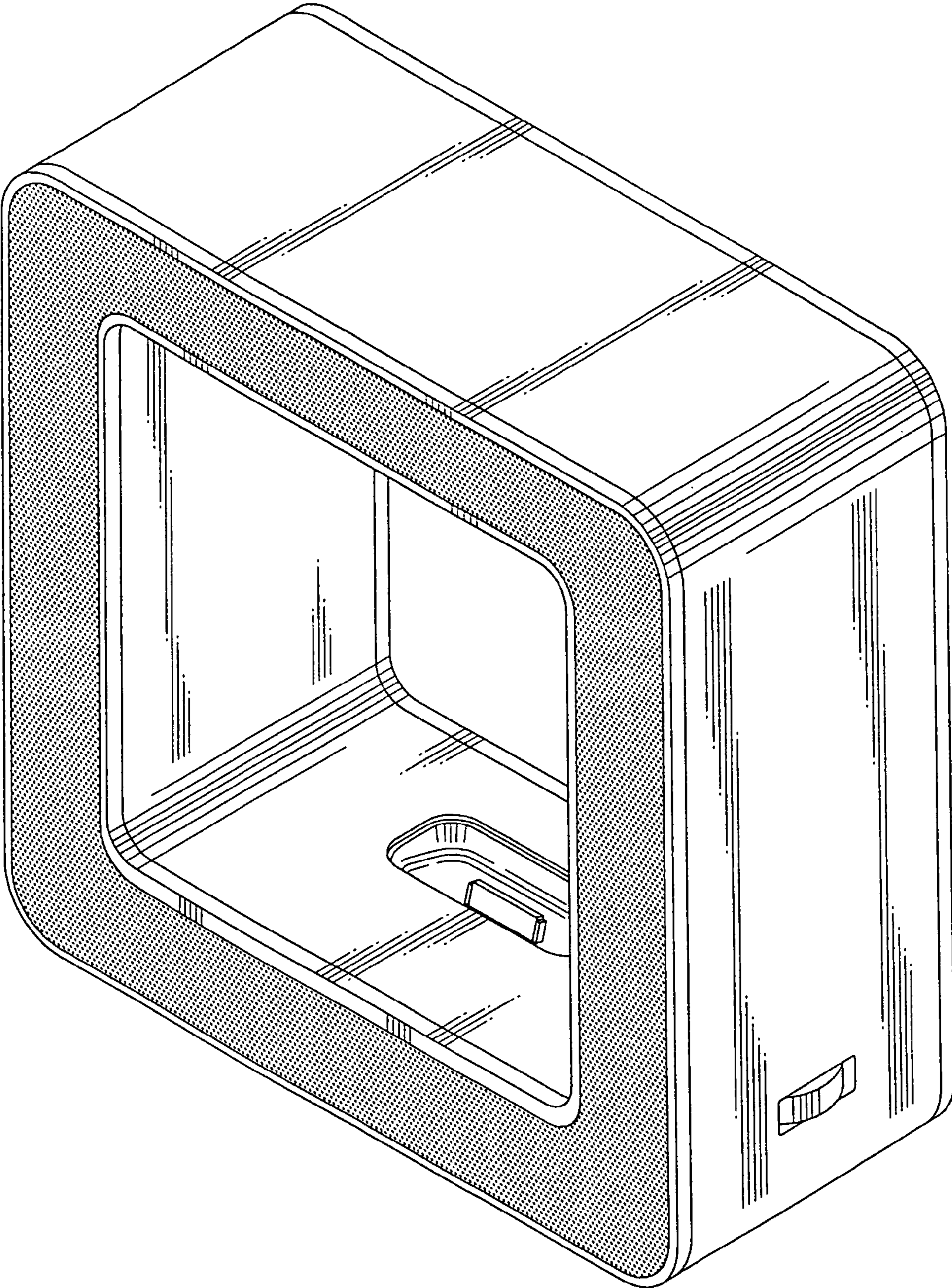


FIG.2

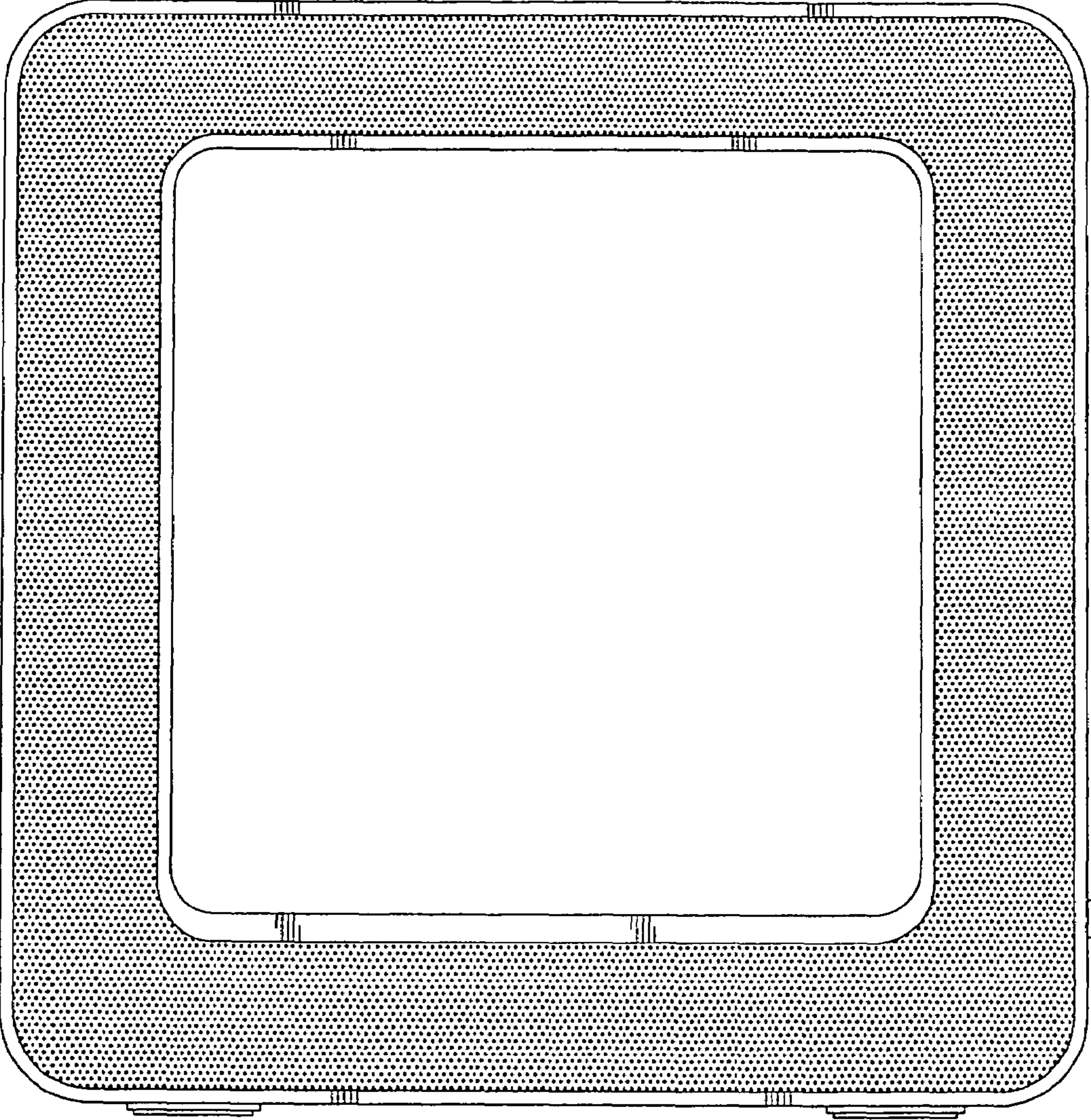


FIG.3

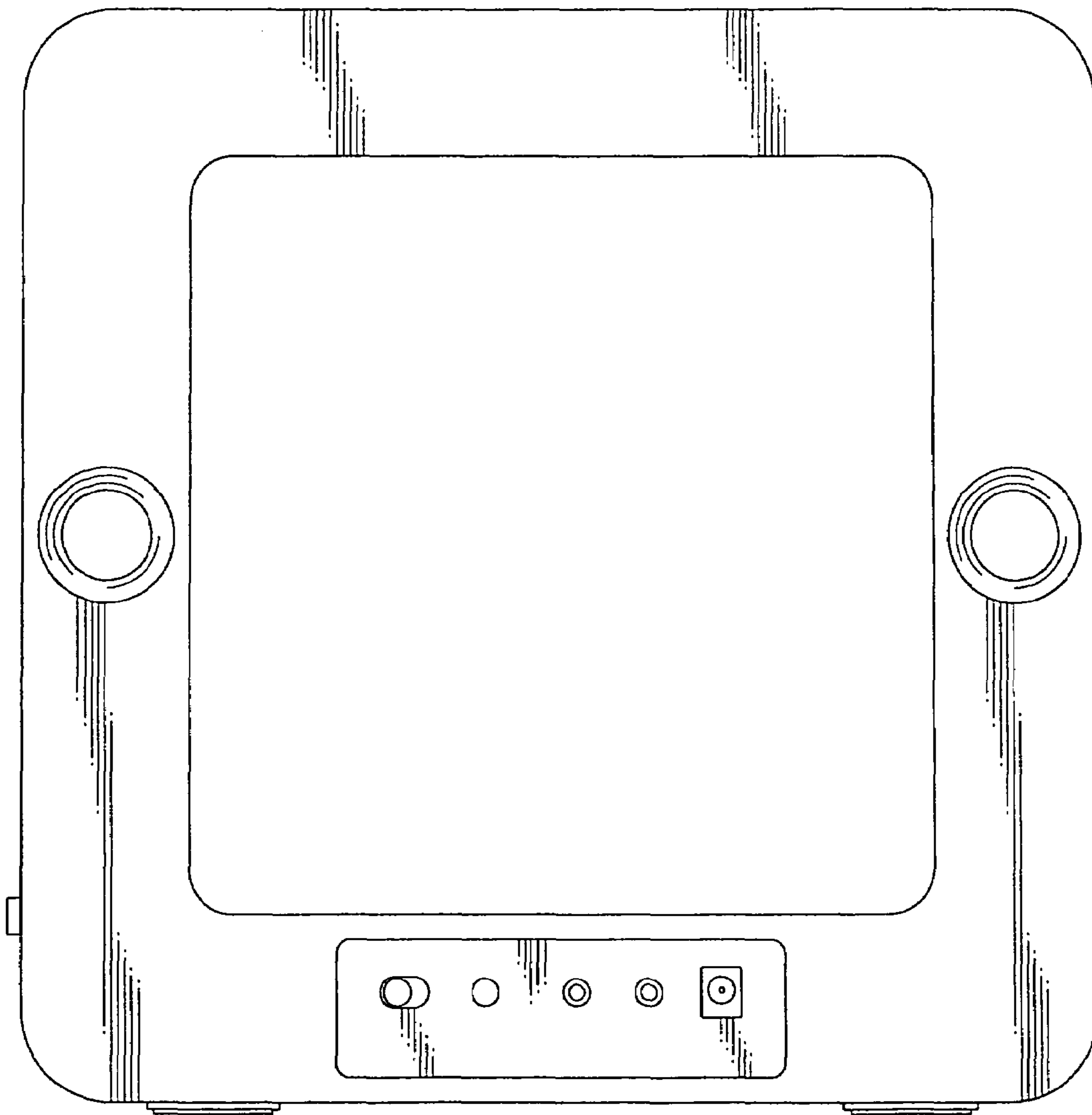


FIG.4

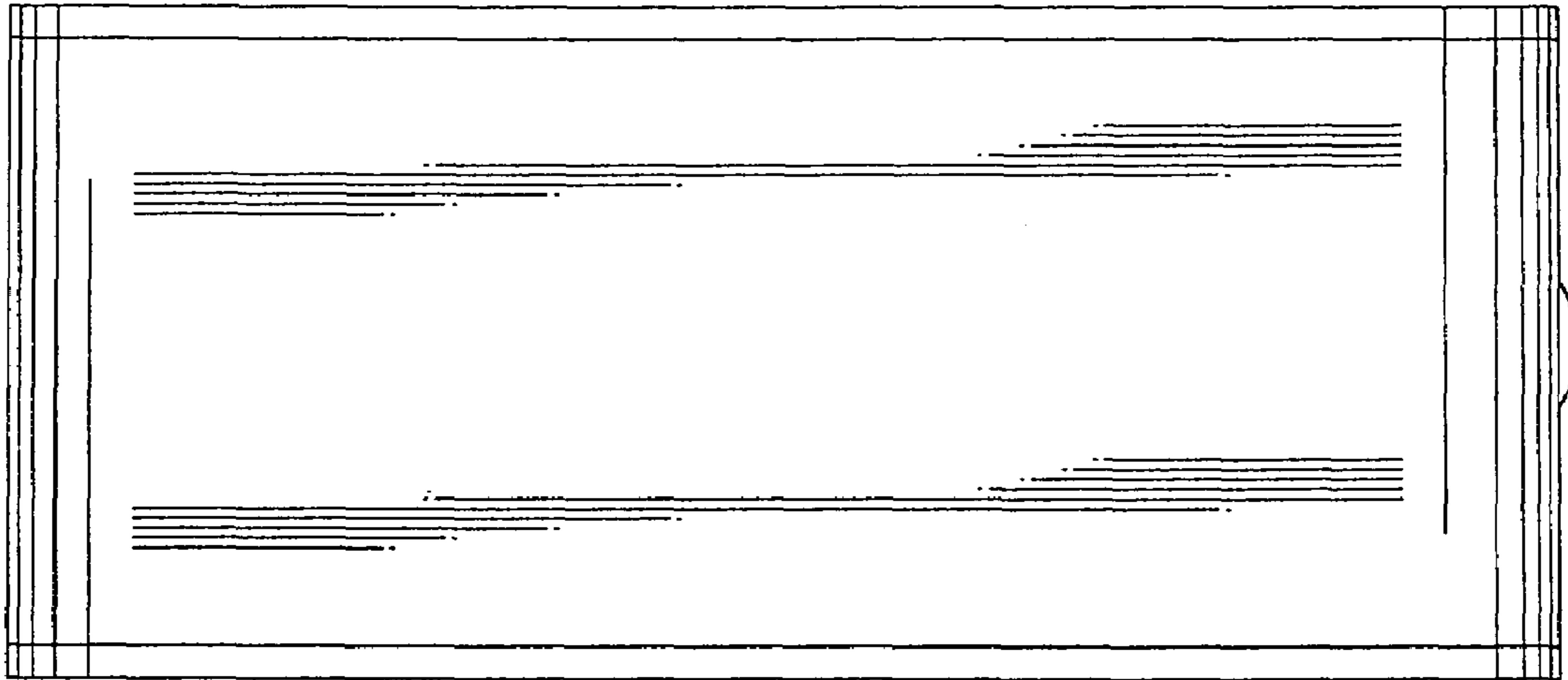


FIG.5

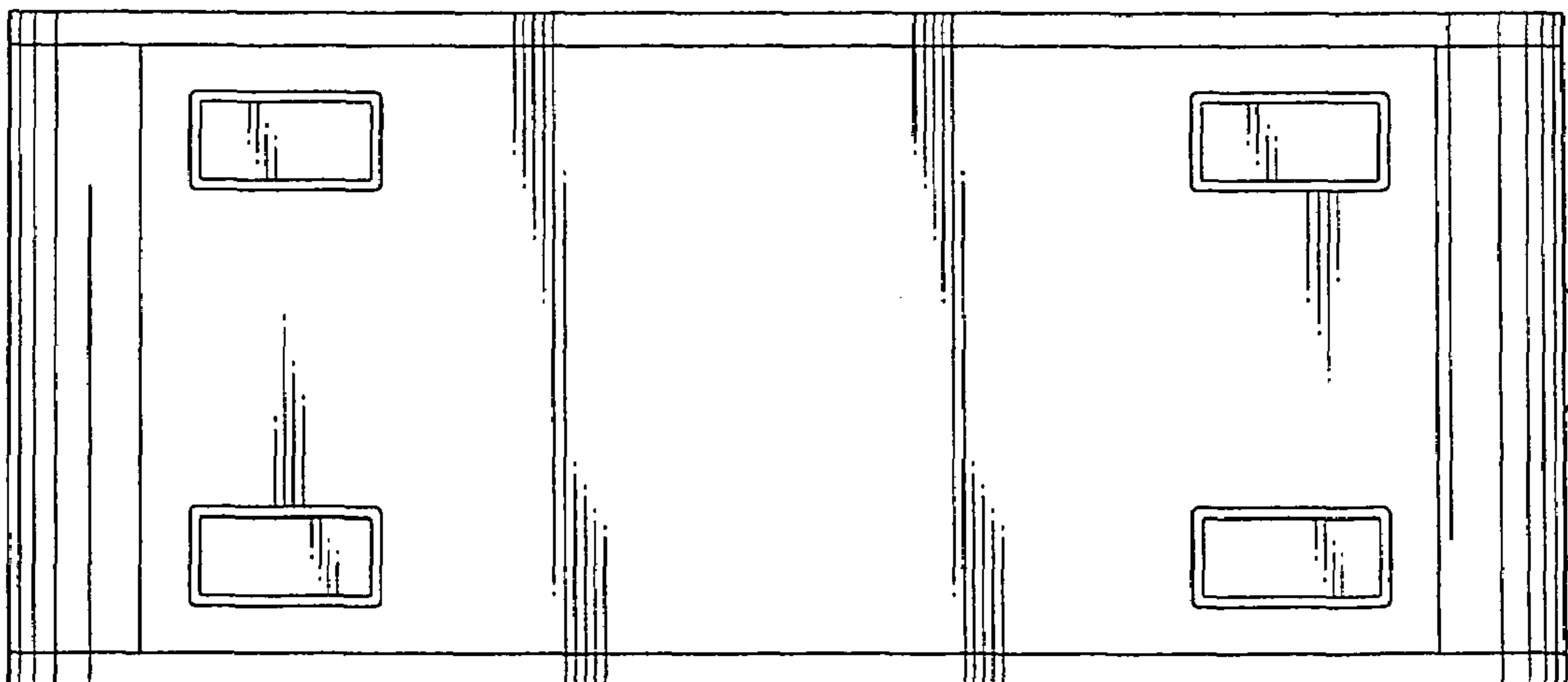


FIG.6

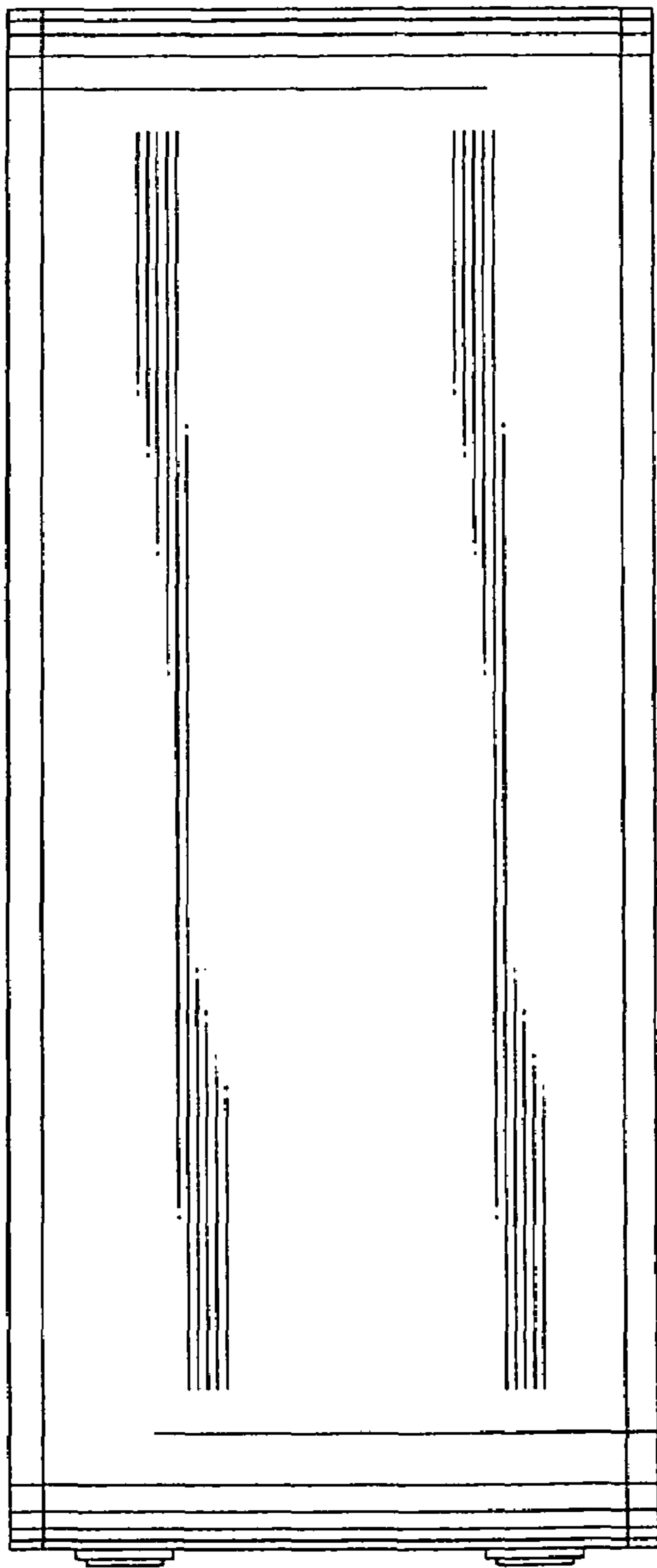


FIG.7

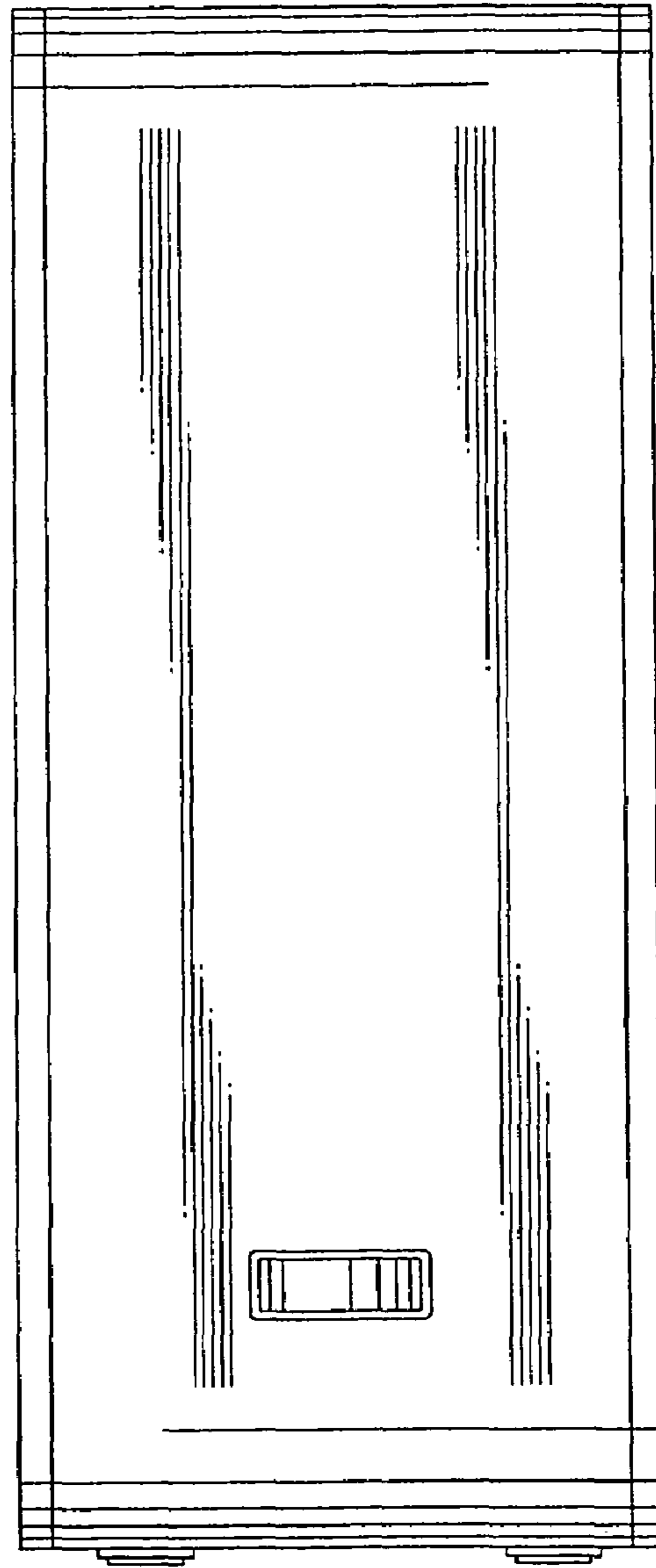


FIG.8

