



US00D598004S

(12) **United States Design Patent**  
**Lam**

(10) **Patent No.:** **US D598,004 S**

(45) **Date of Patent:** **\*\* Aug. 11, 2009**

(54) **VACUUM TUBE AMPLIFIER**

(75) **Inventor:** **Chi-ming Lam, Shatin (HK)**

(73) **Assignee:** **JE Electronic Company Limited, Shatin (HK)**

(\*\*) **Term:** **14 Years**

(21) **Appl. No.:** **29/308,972**

(22) **Filed:** **Jul. 18, 2008**

(30) **Foreign Application Priority Data**

May 23, 2008 (HK) ..... 0801412

(51) **LOC (9) Cl.** ..... **14-03**

(52) **U.S. Cl.** ..... **D14/188**

(58) **Field of Classification Search** ..... D14/168,  
D14/169, 179, 188, 194-198, 215, 217, 257,  
D14/265, 299, 496; 330/1 R, 3, 4, 250; 381/86,  
381/120; 455/344-351

See application file for complete search history.

(56) **References Cited**

**U.S. PATENT DOCUMENTS**

D328,073 S *	7/1992	Yamakawa	.....	D14/168
D371,787 S *	7/1996	Sohn	.....	D14/188
D409,619 S *	5/1999	Shin et al.	.....	D14/217
D416,904 S *	11/1999	Rabbani	.....	D14/188
D419,156 S *	1/2000	Yamazaki	.....	D14/188
D497,152 S *	10/2004	Yeh	.....	D14/188
D557,680 S *	12/2007	Corsini	.....	D14/168

D563,381 S *	3/2008	Carrier et al.	.....	D14/188
D565,021 S *	3/2008	Wilson	.....	D14/188
D571,352 S *	6/2008	Yamamoto et al.	.....	D14/188
D574,809 S *	8/2008	Yagihashi	.....	D14/188

\* cited by examiner

*Primary Examiner*—Stella M Reid

*Assistant Examiner*—Keli L Hill

(74) *Attorney, Agent, or Firm*—Kaplan Gilman & Pergament LLP

(57) **CLAIM**

I claim a vacuum tube amplifier, as shown and described.

**DESCRIPTION**

FIG. 1 is a front view of the vacuum tube amplifier showing my new design;

FIG. 2 is a top view thereof;

FIG. 3 is a rear view thereof;

FIG. 4 is a bottom view thereof;

FIG. 5 is a side view thereof;

FIG. 6 is an opposite side view thereof;

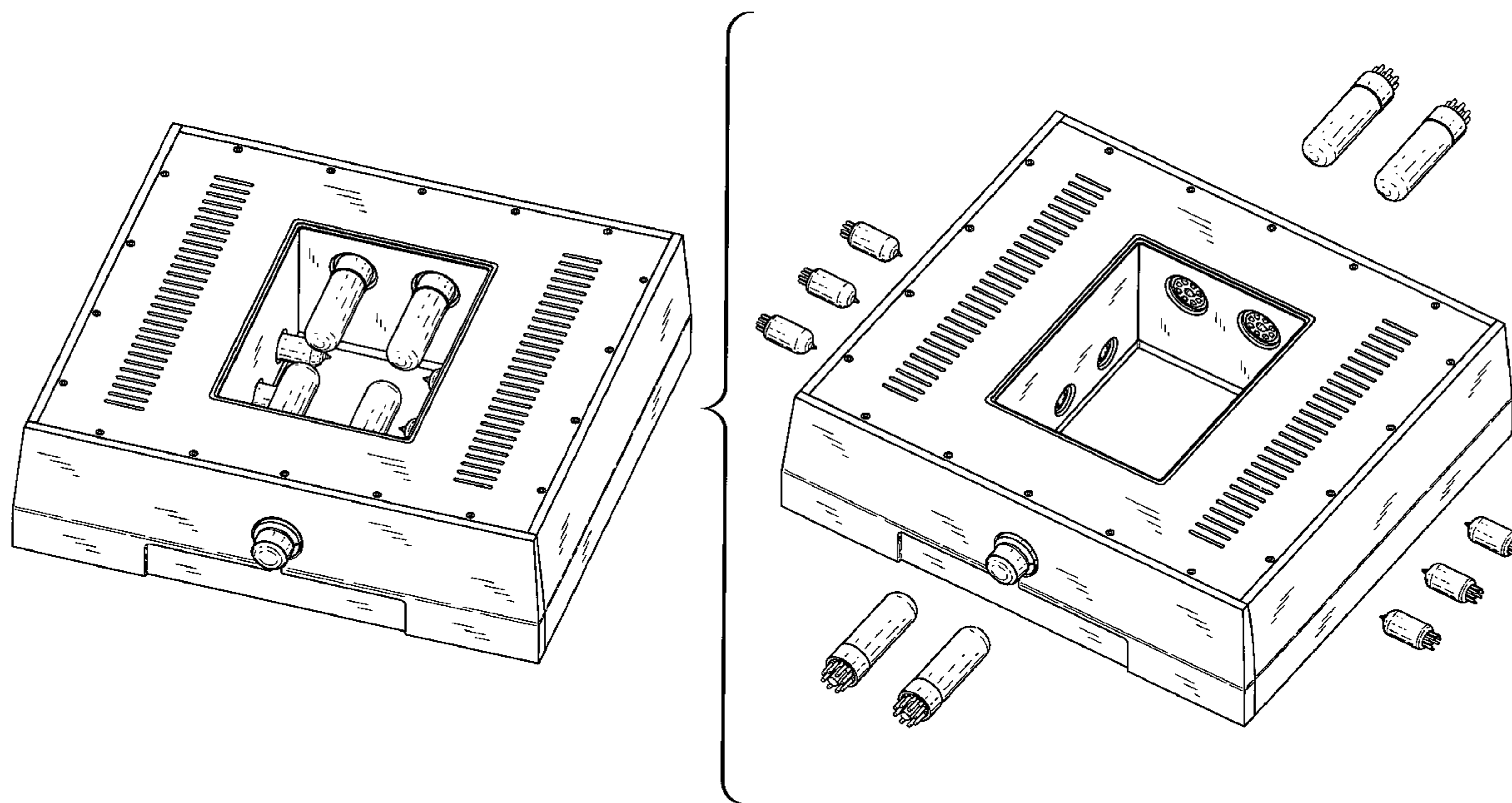
FIG. 7 is a front perspective view thereof;

FIG. 8 is a rear perspective view thereof; and,

FIG. 9 is an exploded perspective view thereof.

The broken lines represent the portions of the design that form no part of the claim.

**1 Claim, 4 Drawing Sheets**



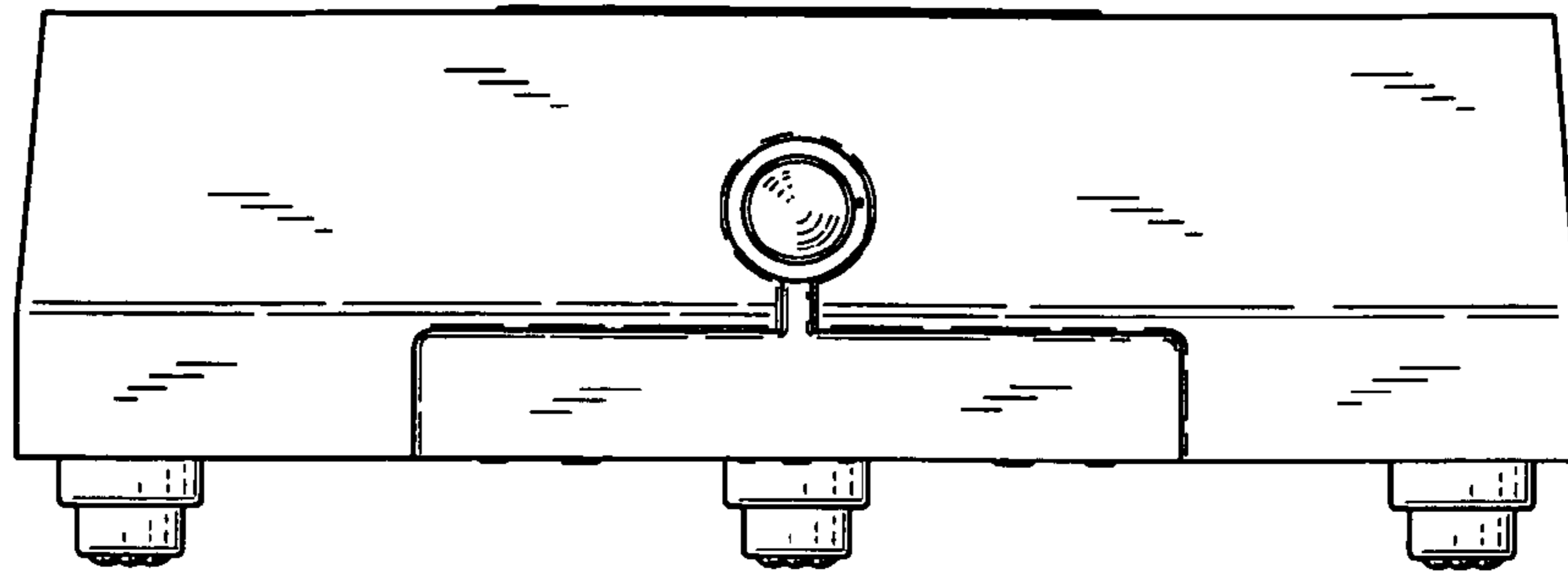


Fig.1

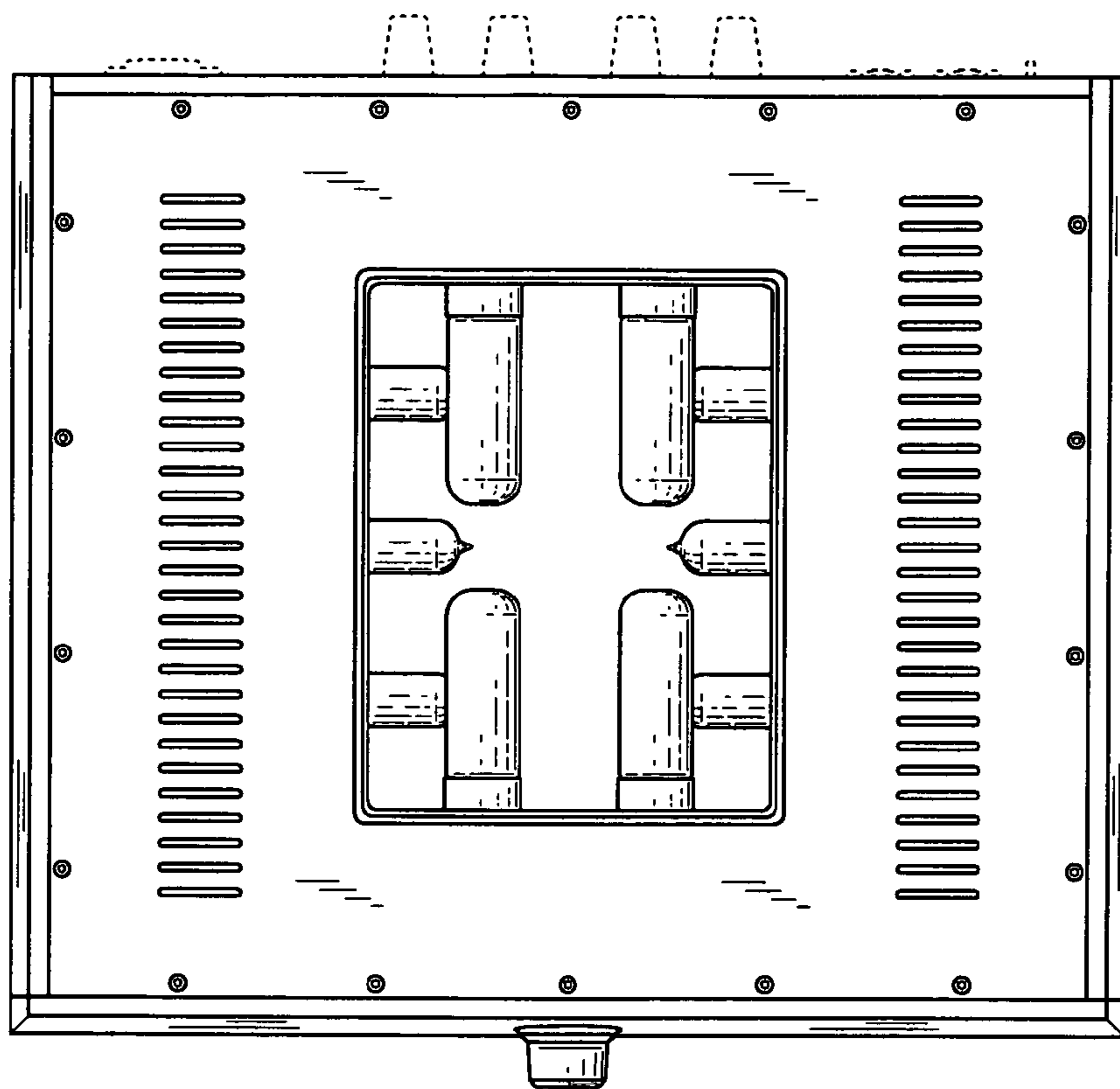


Fig.2

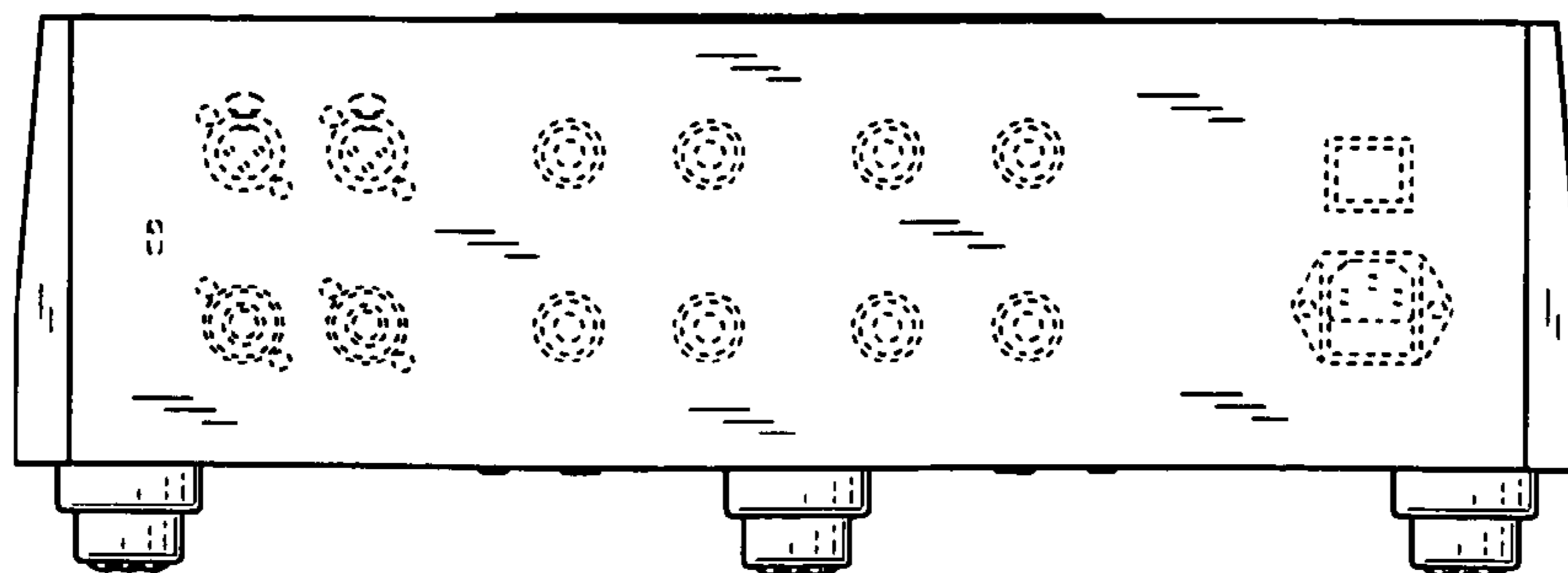


Fig.3

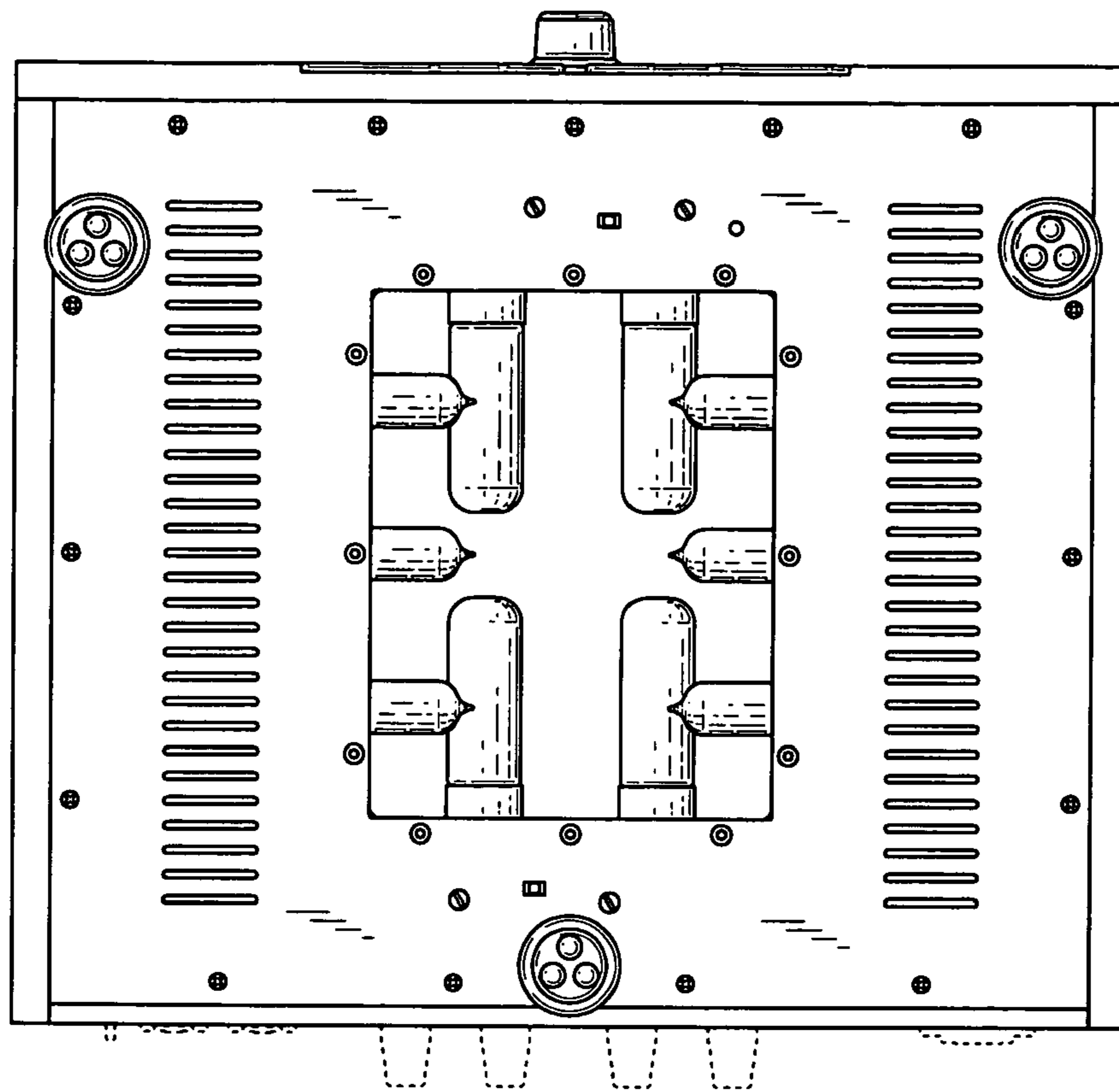


Fig.4

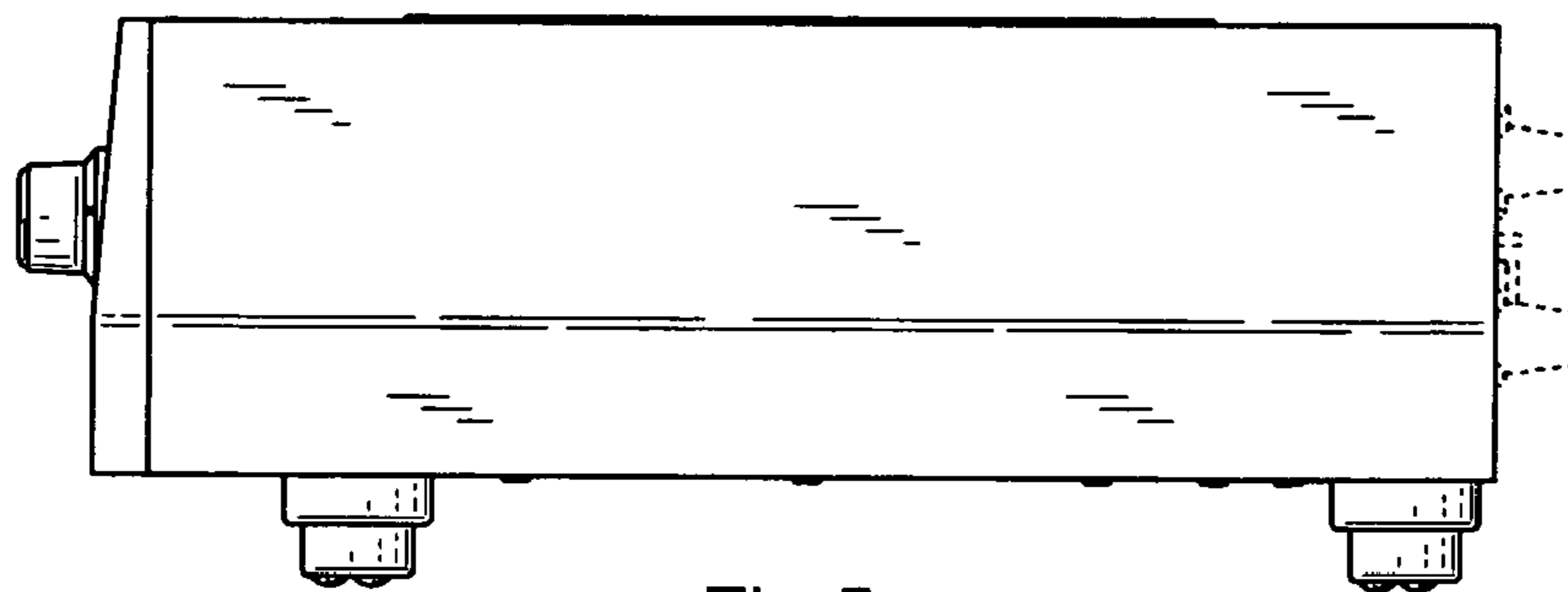


Fig.5

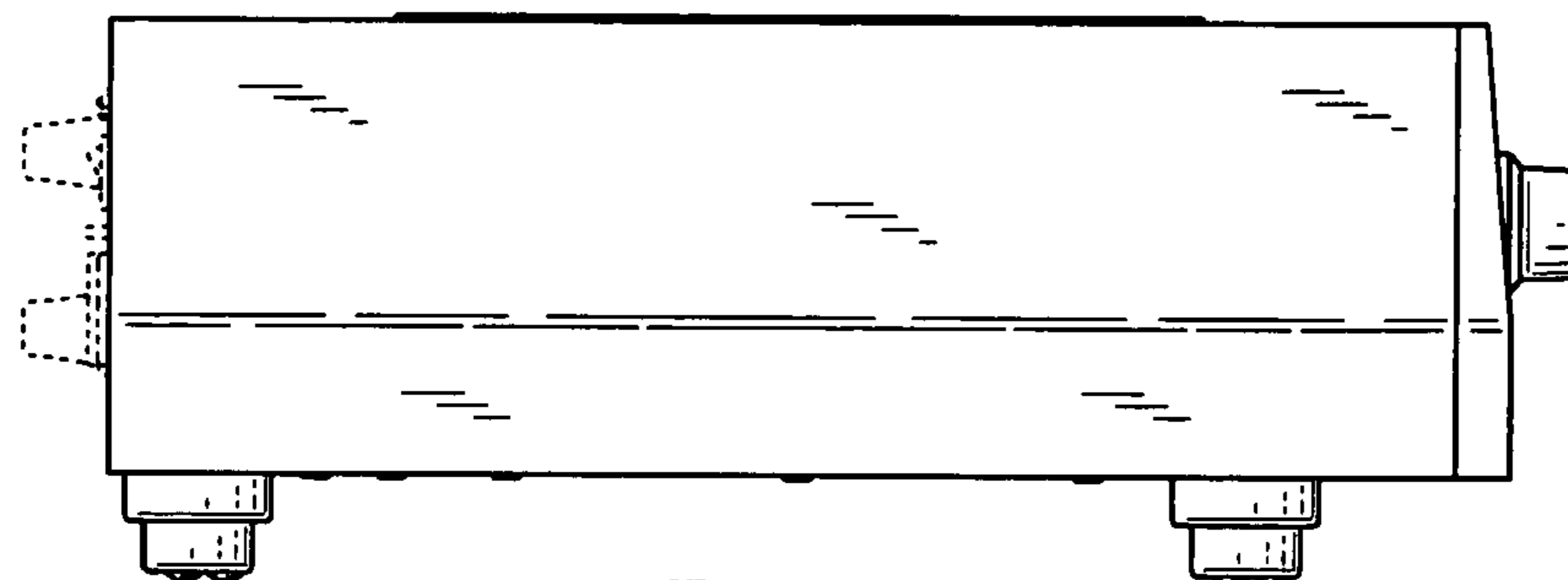


Fig.6

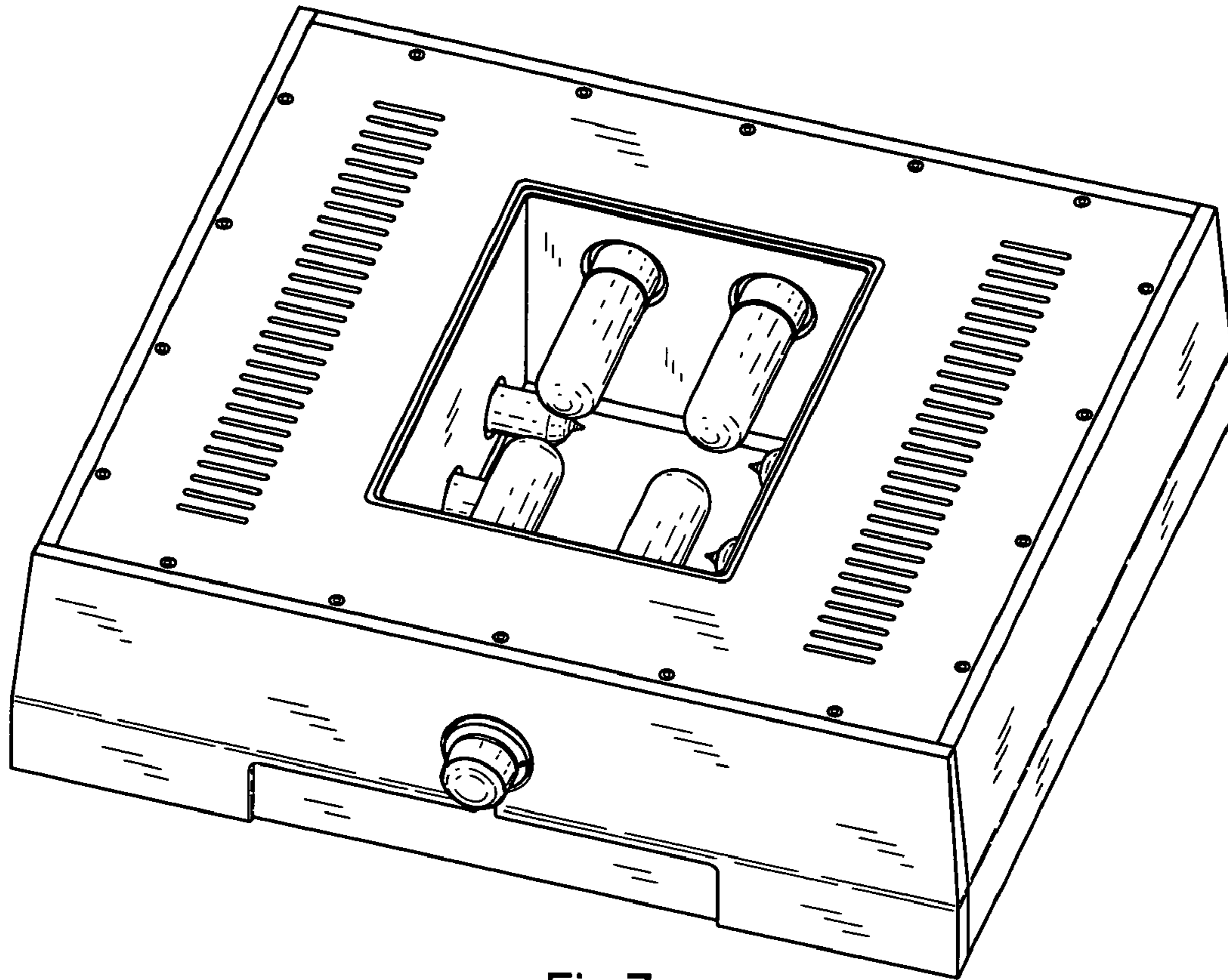


Fig.7

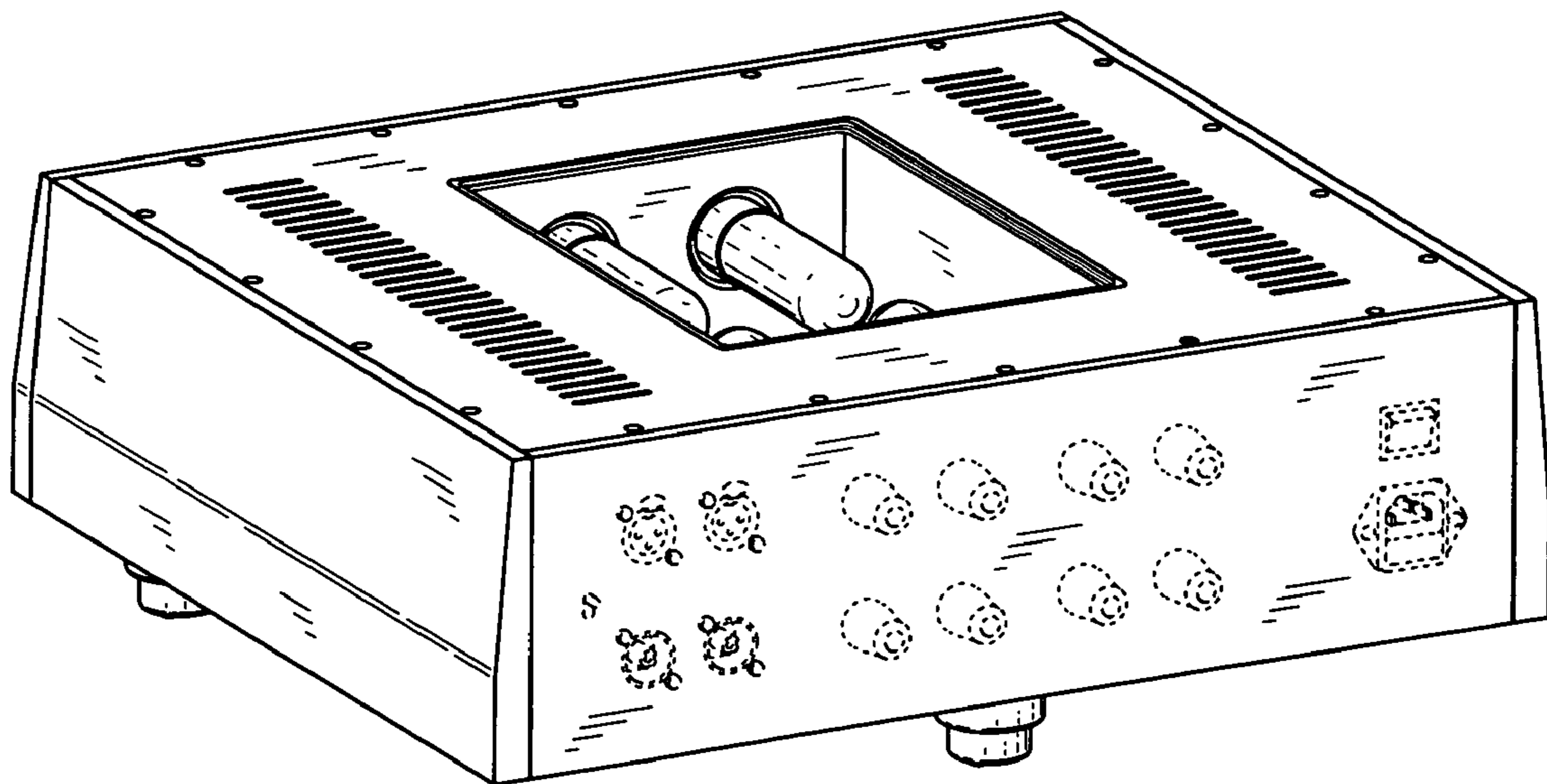


Fig.8

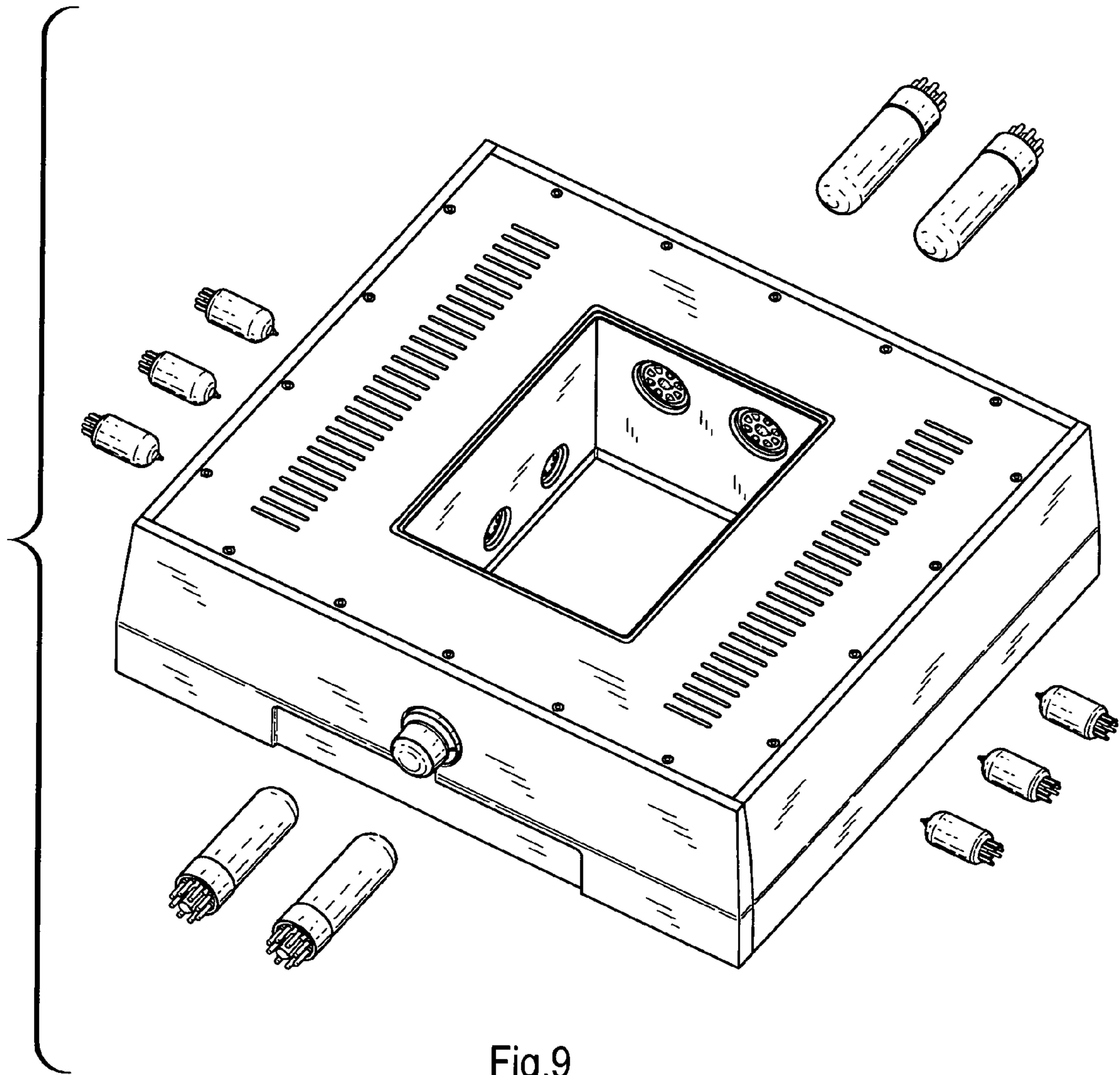


Fig.9